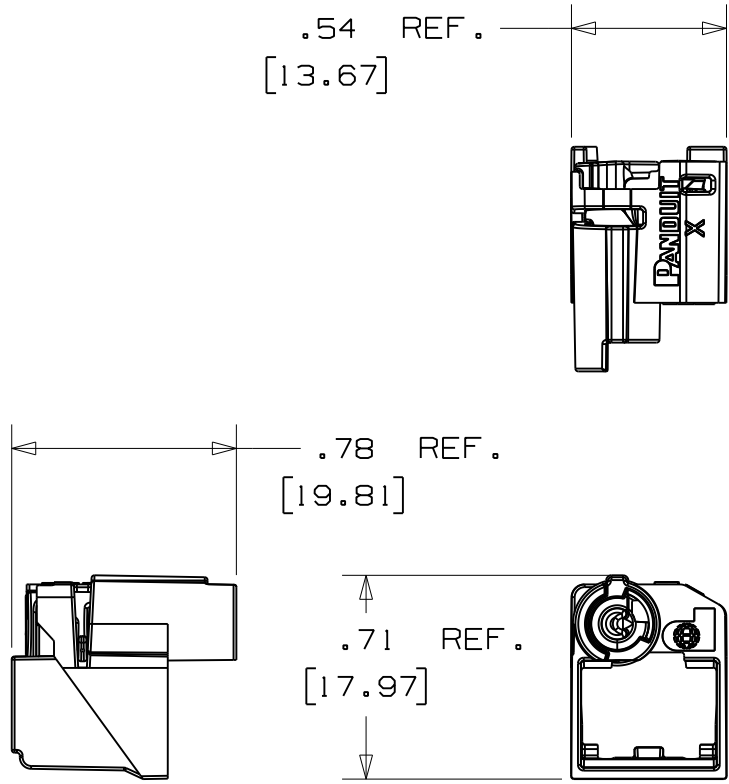
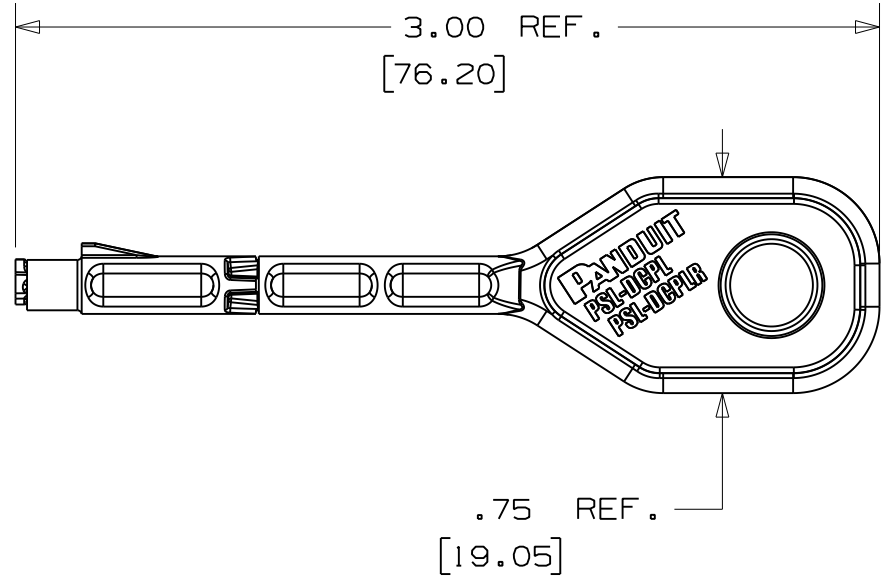


THIS COPY IS PROVIDED ON A RESTRICTED BASIS AND IS NOT TO BE USED IN ANY WAY DETRIMENTAL TO THE INTERESTS OF PANDUIT CORP.



PSL - DCPLRX



KEY

										CAD FILENAME/LAYERS		100186AB_DC_C10842/05A		
										PANDUIT CORP. TINLEY PARK, ILLINOIS				
										PSL - DCPLRX - ** CUSTOMER DRAWING				
										UNLESS OTHERWISE SPECIFIED, DIMENSIONAL TOLERANCES ARE: (.X) ± .05 (.XXX) ± .01 (.XX) ± .02 ANGLES ± 2°		UNLESS OTHERWISE SPECIFIED, ALL DIMENSIONS ARE GIVEN IN INCHES, THIRD ANGLE PROJECTION.		
										DRAWN BY MROB		MAT'L; N/A		
										DATE 07/29/10		SCALE 1.5:1		
										CHK'D		DRAWING NO. C10842		
0	07/29/10	MROB	DRAWING RELEASED				6097	R					DWG A SIZE	
REV	DATE	BY	CHK	DESCRIPTION				ECN	R	CUST	SUP			