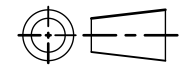
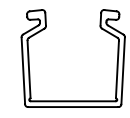


SW2011

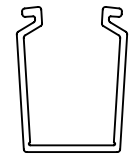


Revision level		Revision Record	Changed	Date	Approved	Date
Drawing	Part					
08	-	SEE ECN# 012210	MHT	01/05/2012	CJR	11/20/2012

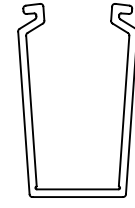
SCALE 1:2



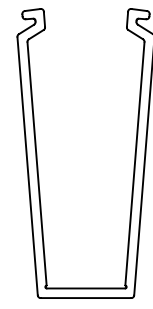
1X1



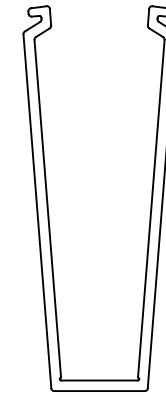
1x1.5



1X2

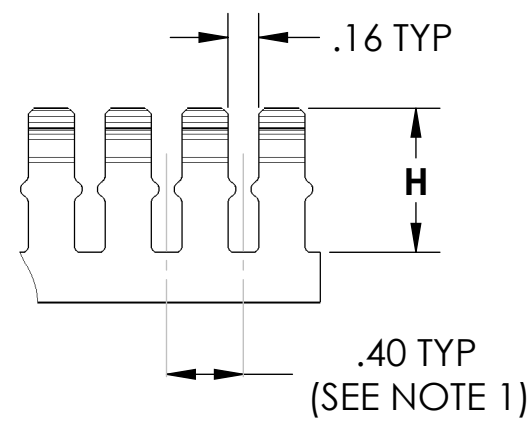


1X3

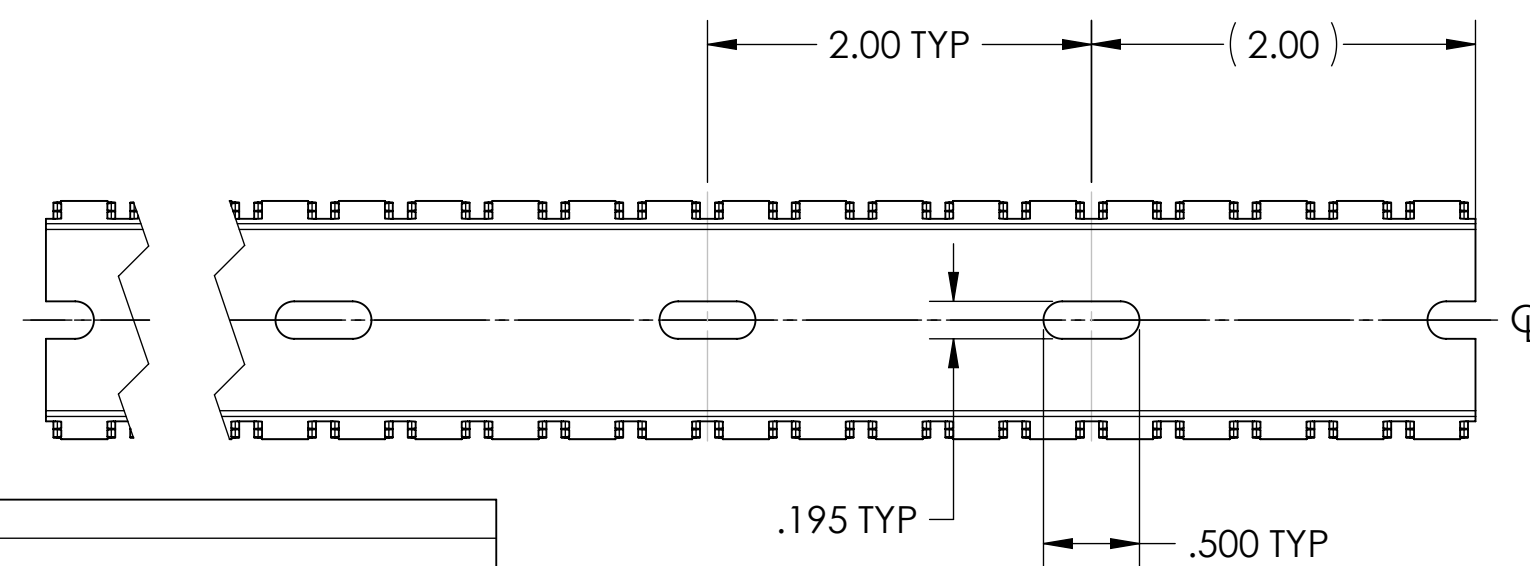
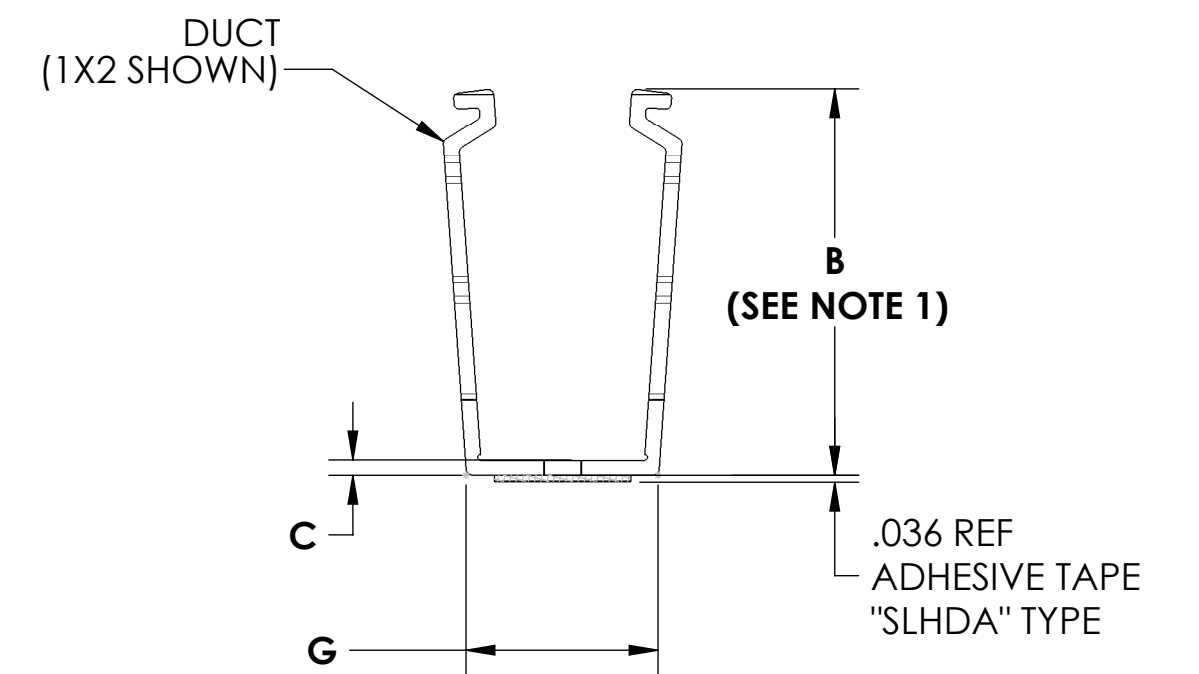
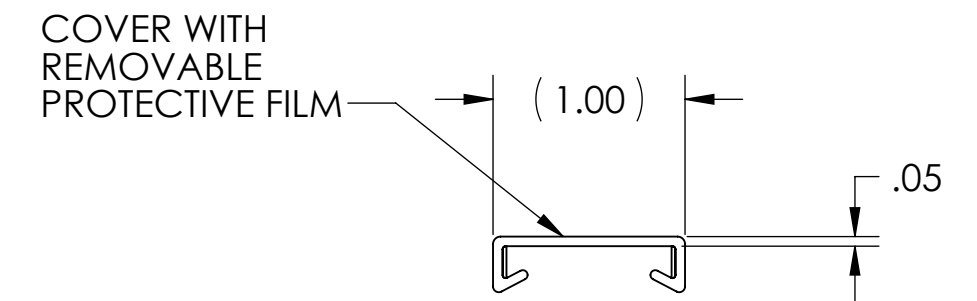
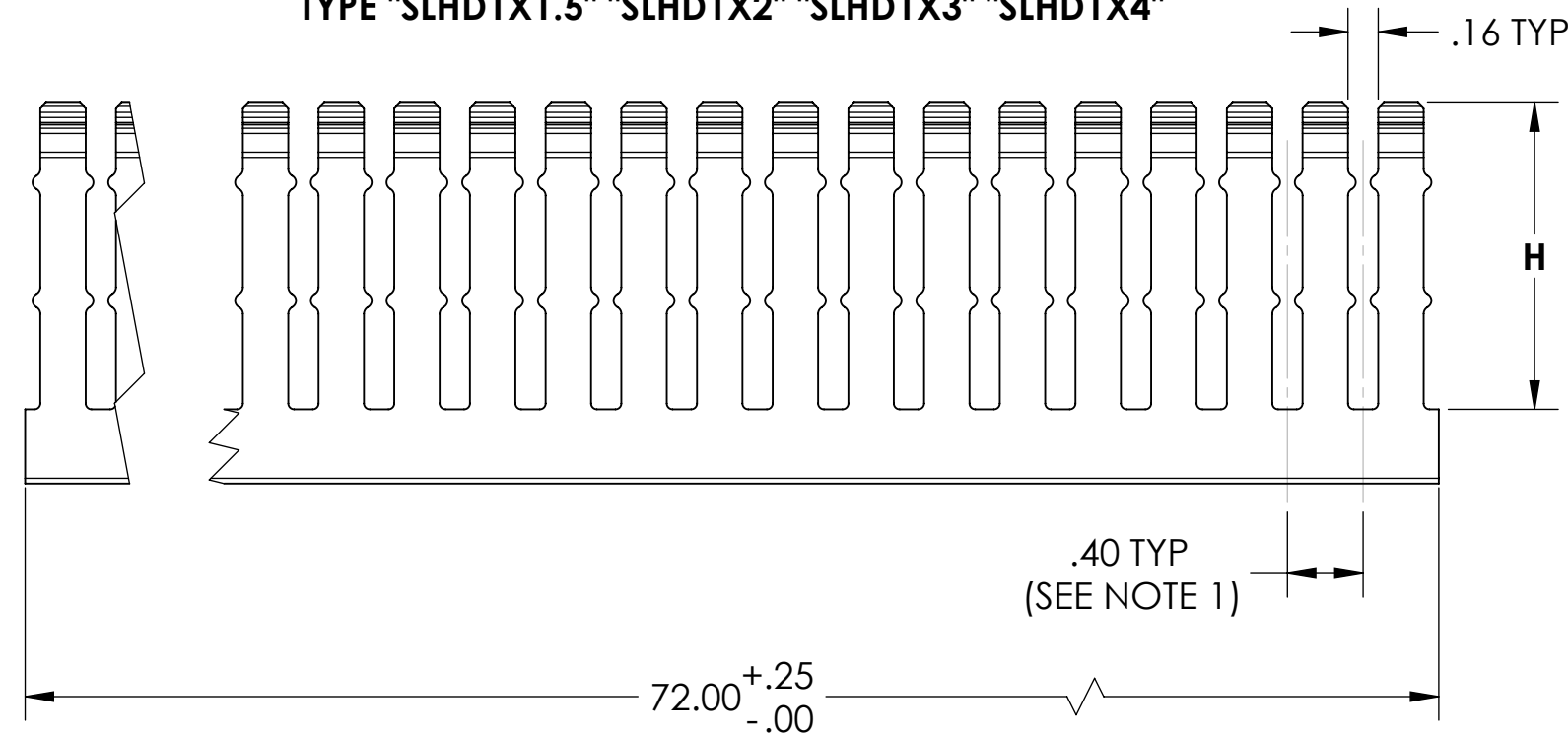


1X4

SLOTTED WALL DUCT
TYPE "SLHD1X1"



SLOTTED WALL DUCT
TYPE "SLHD1X1.5" "SLHD1X2" "SLHD1X3" "SLHD1X4"



50% WIRE FILL CAPACITY

DUCT SIZE (WxH)	DUCT AREA (Sq. In.)	WIRE O.D.																	
		12AWG					14AWG				16AWG								
		TWISTED PAIR 24 AWG UNSHIELDED			18AWG		22AWG		4 Pr. Cat 5e		4 Pr. Cat 6		4 Pr. Cat 6a						
		.158	.165	.139	.125	.113	.065	.217	.240	.354									
1X1	.735	19	17	24	30	37	111	10	8	4									
1X1.5	1.135	29	27	37	46	57	171	15	13	6									
1X2	1.515	39	35	50	62	76	228	20	17	8									
1X3	2.220	57	52	73	90	111	335	30	25	11									
1X4	2.936	75	69	97	120	146	443	40	32	15									

TYPE NUMBER	DESCRIPTION	MOUNTING METHOD	B (SEE NOTE 1)	C	G	H
TC1	COVER	-	-	-	-	-
SLHD1X1	HD SLOTTED DUCT	SCREW	1.004 +.020/-0.015	.060 ±.005	1.000 +/--.025	.750 ±.010
SLHD1X1.5	"	"	1.506 +.025/-0.020	.070 ±.005	1.000 +/--.025	1.190 ±.015
SLHD1X2	"	"	2.008 +.025/-0.020	.080 +.005/-0.012	1.000 +.025/-0.039	1.620 ±.015
SLHD1X3	"	"	3.009 +.035/-0.020	.100 ±.010	1.000 +/--.029	2.600 ±.015
SLHD1X4	"	"	4.008 +.045/-0.020	.110 +.008/-0.015/08	1.000 +/--.031	3.600 ±.015
SLHDA1X1	HD SLOTTED DUCT W/ADHES.	ADHESIVE TAPE	1.004 +.020/-0.015	.060 ±.005	1.000 +/--.025	.750 ±.010
SLHDA1X1.5	"	"	1.506 +.025/-0.020	.070 ±.005	1.000 +/--.025	1.190 ±.015
SLHDA1X2	"	"	2.008 +.025/-0.020	.080 +.005/-0.012	1.000 +.025/-0.039	1.620 ±.015
SLHDA1X3	"	"	3.009 +.035/-0.020	.100 ±.010	1.000 +/--.029	2.600 ±.015
SLHDA1X4	"	"	4.008 +.045/-0.020	.110 +.008/-0.015/08	1.000 +/--.031	3.600 ±.015

Notes
1) BOTH SIDES ALIKE WITHIN .015

Material
PVC
AVAILABLE IN WHITE,
GRAY, BLACK, OR BLUE
CONSULT FACTORY FOR
OTHER COLORS
RoHS COMPLIANT

Units inches
Dimension without tolerances
details to:
.xxxx = ±.0005
.xxx = ±.005
.xx = ±.01
.x = ±.03
None = ±.06
∠ = ±0.5°

The copyright of this drawing is reserved by HellermannTyton. It is issued on condition that it is not reproduced, copied, or disclosed to a third party, either wholly or in part, without the consent of HellermannTyton.

Drawn KAC 06/17/2009
Approved
HellermannTyton
North America
Email: corp@htamericas.com
Web: www.hellermann.tyton.com

Article/Type-No SEE CHART
Title 1" WIDE SLHD, SLHDA DUCT WITH COVER
Drawing-No DT07-021-103CST
Pre-Production : Phase
Scale 1:1
Project Number PRP07-021
Format C
Sheet 1/1