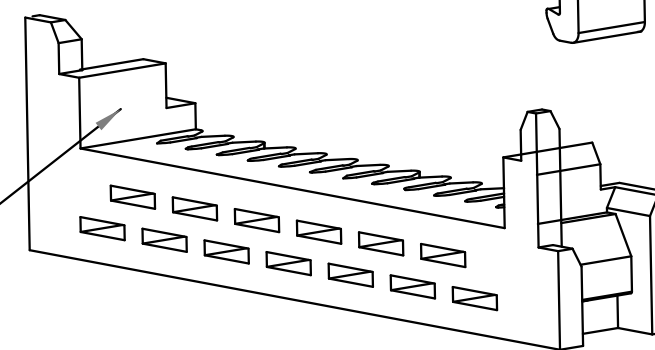
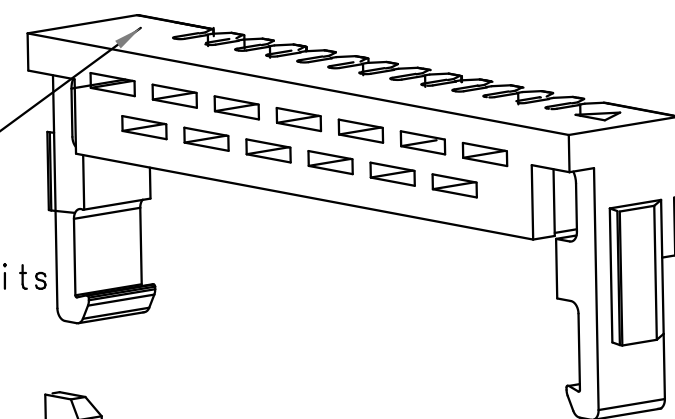
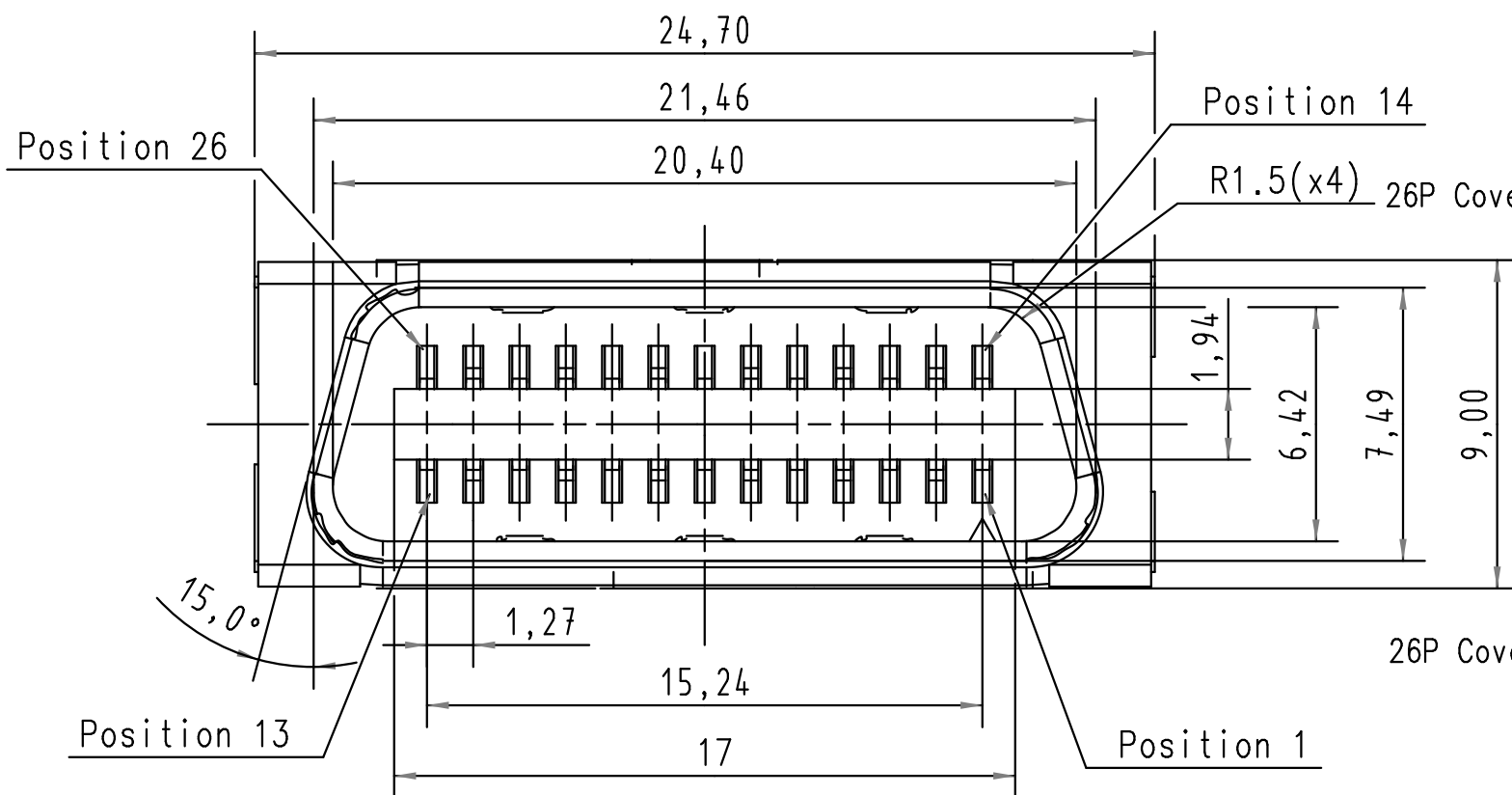


26P Har.Mik Bellow IDC Male Connector



26P Cover Two With Big Slits

This Connector is according to IEC 61076-3-100

	All Dimensions in mm Original Size DIN A 3			Techn. Character.		Free size tolerances	
				Dat.	Name	Scale 5 : 1	<i>har.mik</i> ® I/O bellow 26 poles IDC male connector for wire insulator O.D from 0.75mm to 0.90mm
				Detail.	06-MAR-08 SW		
				Insp.			
			Stand.				
31783	06-MAR-08	SW	Zhuhai Harting Limited			TB 60 13 026 5215	
Mod.	Dat.	Name				Sub.	Page 1 / 1