

# SWING HANDLE - ALL METAL



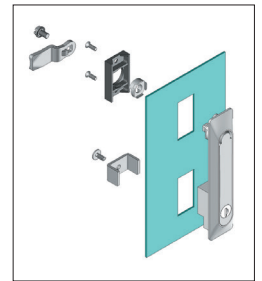
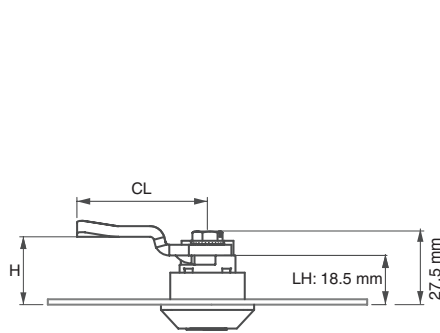
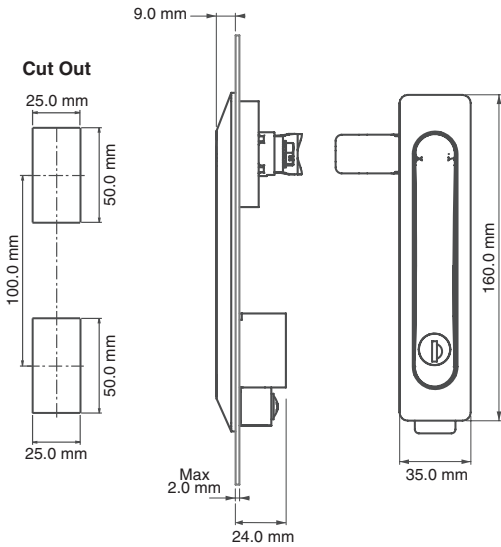
\*Example with cam.  
Cam sold separately.

### Specifications

- Material:  
Body: Zinc Alloy (Zamak) DIN-EN 1774-ZnAl4Cu1  
Handle: Zinc Alloy (Zamak) DIN-EN 1774-ZnAl4Cu1  
Cam: Steel or PA6 GFR 30  
Seal: Polyurethane

### Features

- All metal construction
- Stronger and better looking than polyamide
- Spring-loaded, slam-action swim handle
- For customised colours contact Essentra
- Applications: Electric panels, machinery covers, rack enclosures



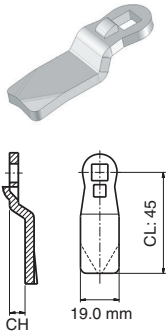
Driver/Head Style



5 mm Double Bit

Item Number		Cylinder	Cam
Zinc Alloy / Chrome	Zinc Alloy / Black	Stainless dust cap	Select Cam Below
10811110700	10812120700	5mm Double bit	Select Cam Below
10811111500	10812121500		

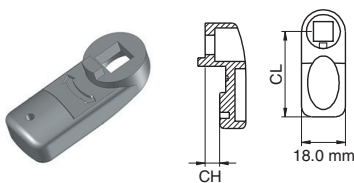
### Steel Cam



Item Number	CH (mm)	CL (mm)	H (mm)
30403033	0.0	45.0	18.5
30403439	1.0	45.0	19.5
30403159	2.0	45.0	20.5
30403063	3.0	45.0	21.5
30403149	4.0	45.0	22.5
30403160	6.0	45.0	24.5
30403161	8.0	45.0	26.5
30403162	10.0	45.0	28.5
30403045	12.0	45.0	30.5
30403163	14.0	45.0	32.5
30403151	16.0	45.0	34.5

Item Number	CH (mm)	CL (mm)	H (mm)
30403165	18.0	45.0	36.5
30403166	20.0	45.0	38.5
30403167	22.0	45.0	40.5
30403168	24.0	45.0	42.5
30403169	-2.0	45.0	16.5
30403170	-4.0	45.0	14.5
30403171	-6.0	45.0	12.5
30403172	-8.0	45.0	10.5
30403173	-10.0	45.0	8.5
30403174	-12.0	45.0	6.5
30403175	-14.0	45.0	4.5

### Nylon Cam



Item Number	CH (mm)	CL (mm)	H (mm)
30402004	0.0	35.0	18.5
30402011	0.0	25.0	18.5
30402005	6.0	35.0	24.5
30402008	4.0	45.0	22.5
30402013	-4.0	45.0	14.5