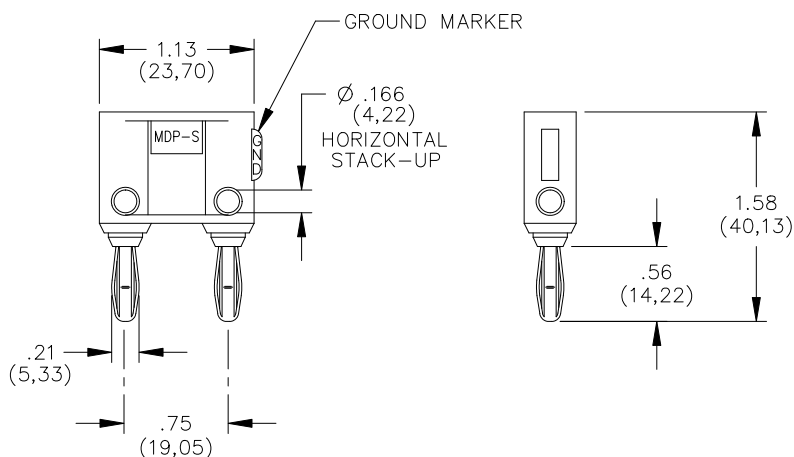
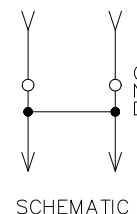
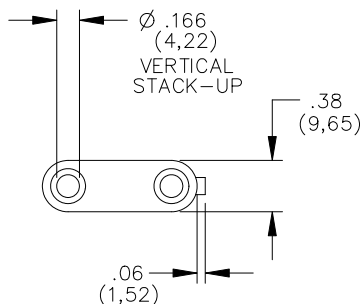


Model MDP-S
Double Banana Plug with Shorting Bar, Stackable



Model MDP-S
Double Banana Plug with
Shorting Bar, Stackable



Features

- Banana plugs are internally shorted with #18 AWG wire.
- Banana plugs can be vertically and horizontally stacked for test versatility.
- Banana plug springs are Nickel Plated, Beryllium Copper for long insertion cycle life.

Materials

- Banana Jacks:* Brass, Nickel Plated
Banana Plugs:
 Body: Brass, Nickel Plated
 Spring: Beryllium Copper, Nickel Plated
Insulation: Polypropylene
 Marking: "MDP-S, POMONA ELECTRONICS
 CO, INC. POMONA CALIFORNIA"
 "SHORTING BAR"

Specifications

- Operating Voltage:**
 Hands free usage in controlled voltage environments: 5000 Vrms maximum.
For CE compliance: not intended for hand-held use at voltages above 33 Vrms/70 Vdc.
Operating Temperature: +50°C (+122°F) Max.
Current: 15 Amperes

Ordering Information

- Model:** MDP-S-Color
Colors = 0 (Black), 2 (Red), 9 (White)

Ordering Example: MDP-S-2 (Double Banana Plug with Red insulation)

USA: Sales: 800-490-2361
 Technical Support: technicalsupport@pomonatest.com
 Fax: 425-446-5844
Europe: 31-(0) 40 2675 150 **International:** 425-446-5500
Where to Buy: www.pomonaelectronics.com

All dimensions are in inches. Tolerances (except noted): .xx = ±.02" (.51 mm), .xxx = ±.005" (.127 mm). All specifications are to the latest revisions. Specifications are subject to change without notice. Registered trademarks are the property of their respective companies.