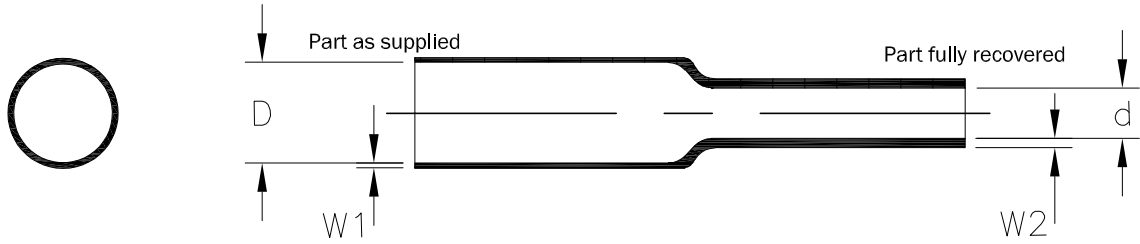


REVISIONS				
P	LTR	DESCRIPTION	DATE	APVD
	A	INITIAL RELEASE PER ECO-16-012814	08-30-2016	HD



TUBING DIMENSIONS METRIC

Size	As Supplied (mm)		As Recovered (mm)	
	Inside Diameter	Wall Thickness	Inside Diameter	Wall Thickness
	D	W1	d	W2
1.0/0.5	1.5 ± 0.2	0.2	0.5	0.44
1.5/0.75	2.1 ± 0.2	0.2	0.75	0.44
2.0/1.0	2.6 ± 0.2	0.25	1.0	0.44
2.5/1.25	3.1 ± 0.2	0.25	1.25	0.44
3.0/1.5	3.6 ± 0.2	0.25	1.5	0.44
3.5/1.75	4.1 ± 0.3	0.25	1.75	0.46
4.0/2.0	4.6 ± 0.3	0.25	2.0	0.46
5.0/2.5	5.6 ± 0.3	0.3	2.5	0.56
6.0/3.0	6.6 ± 0.3	0.3	3.0	0.56
7.0/3.5	7.6 ± 0.3	0.3	3.5	0.56
8.0/4.0	8.6 ± 0.3	0.3	4.0	0.56
9.0/4.5	9.6 ± 0.3	0.3	4.5	0.56
10.0/5.0	10.4 ± 0.3	0.3	5.0	0.56
12.0/6.0	12.7 ± 0.3	0.3	6.0	0.56
18.0/9.0	19.0 ± 0.4	0.4	9.0	0.77
25.0/12.5	26.8 ± 0.4	0.45	12.5	0.77
30.0/15.0	32.1 ± 0.5	0.45	15.0	0.89

MATERIAL: SWFR X2 is a 125°C, 600 volt, VW-1 rated, UL recognized tubing meeting the requirements of UL 224. It is fabricated from Zerohal flame-retarded crosslinked modified flexible polyolefin.


COLOR: Black

RELEASED FOR PUBLICATION APR , 2016.

ALL RIGHTS RESERVED.

© COPYRIGHT 2016 TE Connectivity

THIS DRAWING IS UNPUBLISHED.

DIMENSIONS: mm	DWN	19APR2016	MATERIAL	-	FINISH	-	
	CHK	-	 TE Connectivity				
TOLERANCES UNLESS OTHERWISE SPECIFIED:	APVD	-					
0 PLC ± -	PRODUCT SPEC	-	NAME				
1 PLC ± -	APPLICATION SPEC	-	SWFR X2 SINGLE WALL				
2 PLC ± -	WEIGHT	0	HEAT SHRINKABLE TUBING				
3 PLC ± -			SIZE	CAGE CODE	DRAWING NO	RESTRICTED TO	
4 PLC ± -			A4	06090	© SWFR_X2	-	
ANGLES ± -			CUSTOMER DRAWING			SCALE	NTS
						SHEET	1 OF 1
						REV	A