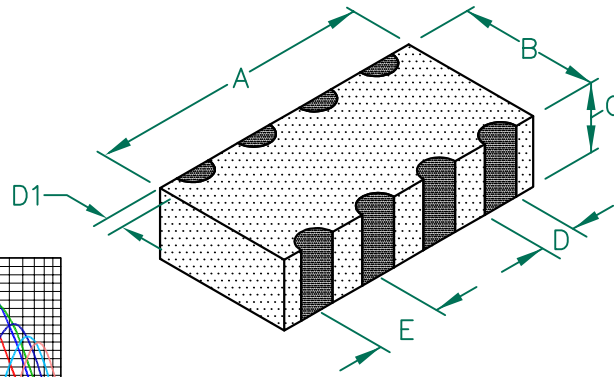


DA1206D301R-10

UNCONTROLLED DOCUMENT

PHYSICAL DIMENSIONS:

A	3.20 [.126]	+ 0.20 [.008]
B	1.60 [.063]	+ 0.20 [.008]
C	0.80 [.031]	+ 0.20 [.008]
D	0.40 [.016]	+ 0.15 [.006]
D1	0.30 [.012]	+ 0.20 [.008]
E	0.80 [.031]	+ 0.10 [.004]

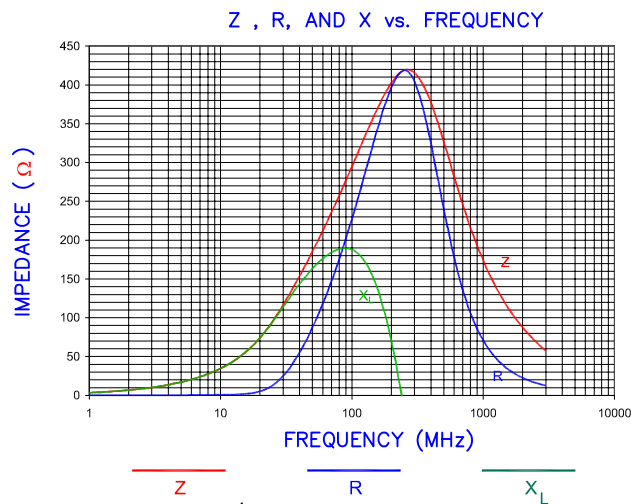
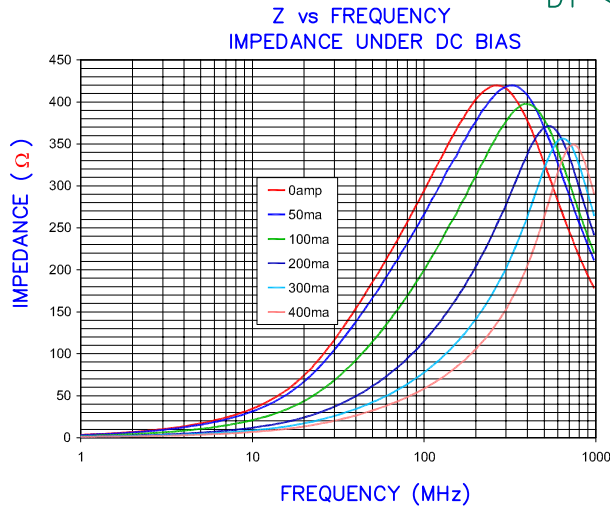


ELECTRICAL CHARACTERISTICS:

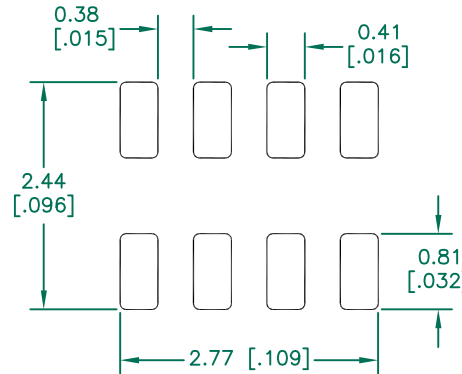
Z @ 100MHz (Ω)	DCR (Ω)	Rated Current
Nominal	300	
Minimum	225	
Maximum	375	0.4
LINE TO LINE INSULATION RESISTANCE >10MΩ AT 12 VOLTS.		

NOTES: UNLESS OTHERWISE SPECIFIED

1. TAPED AND REELED per CURRENT EIA SPECIFICATIONS 7" REELS, 3000 PCS/REEL.
2. TERMINATION FINISH IS 100% TIN.
3. COMPONENTS SHOULD BE ADEQUATELY PREHEATED BEFORE SOLDERING.
4. OPERATING TEMPERATURE TEMP: -40°C~+125°C (INCLUDING SELF-HEATING)

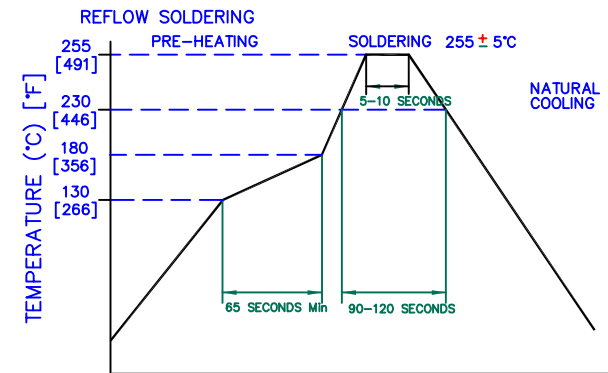


LAND PATTERNS FOR REFLOW SOLDERING



(For wave soldering, add 0.762 (0.030) to this dimension)

RECOMMENDED SOLDERING CONDITIONS



DIMENSIONS ARE IN mm [INCHES].				This print is the property of Laird Tech. and is loaned in confidence subject to return upon request and with the understanding that no copies shall be made without the written consent of Laird Tech. All rights to design or invention are reserved.			
E	OPERATING TEMPERATURE UPDATE LAIRD LOGO	08/05/13	QU				
D	UPDATE INSULATION RESISTANCE AND REFLOW	05/06/13	QU				
C	UPDATE COMPANY LOGO	05/21/09	JRK	PROJECT/PART NUMBER:	REV	PART TYPE:	DRAWN BY:
B	D1 chgd from 0.008 ±0.004 to 0.012 ±0.008. ADD ROHS. UPDATE COMPANY LOGO	10/31/07	JRK	DA1206D301R-10	E	CO-FIRE	TMB
A	ORIGINAL DRAFT	03/30/04	TMB	DATE:	SCALE:	SHEET:	
REV	DESCRIPTION	DATE	INT	CAD #	TOOL #	2 of 2	