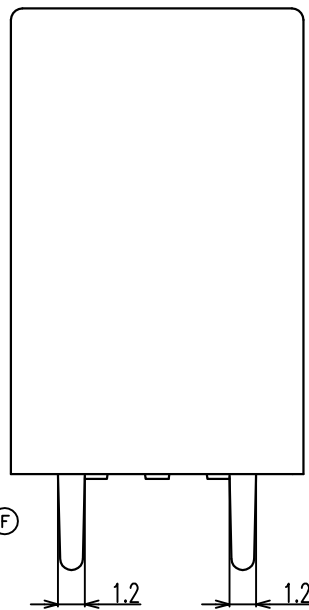
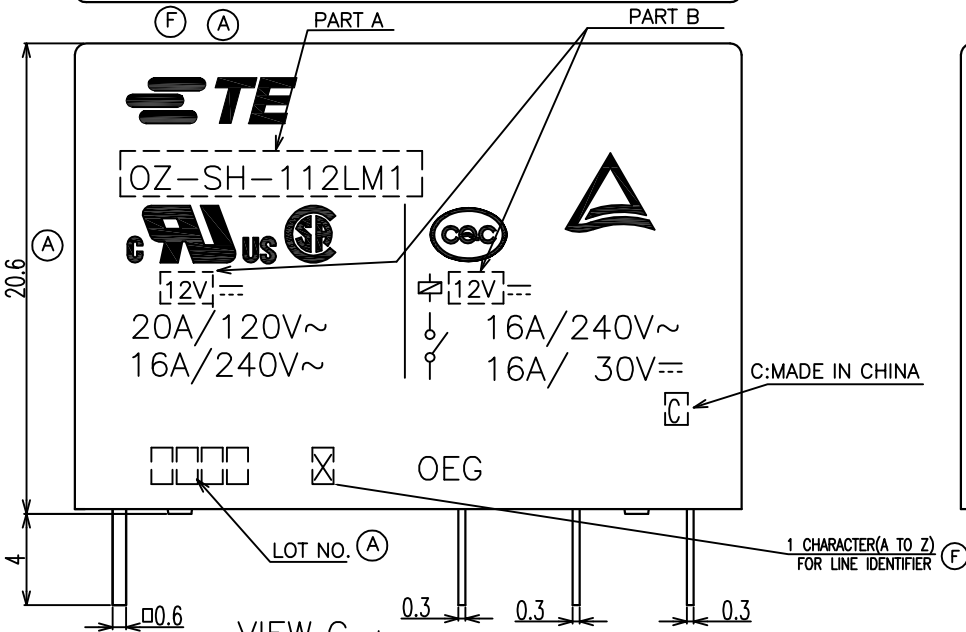
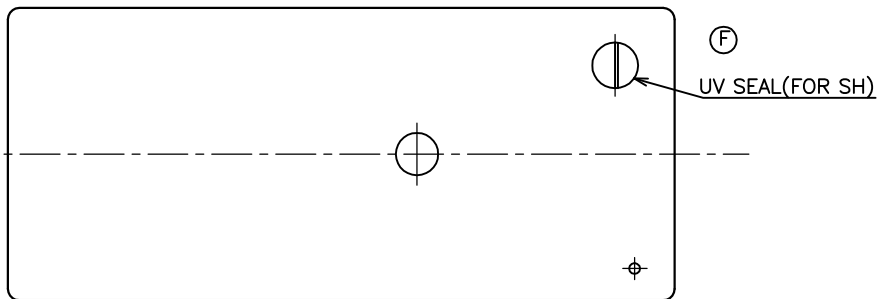
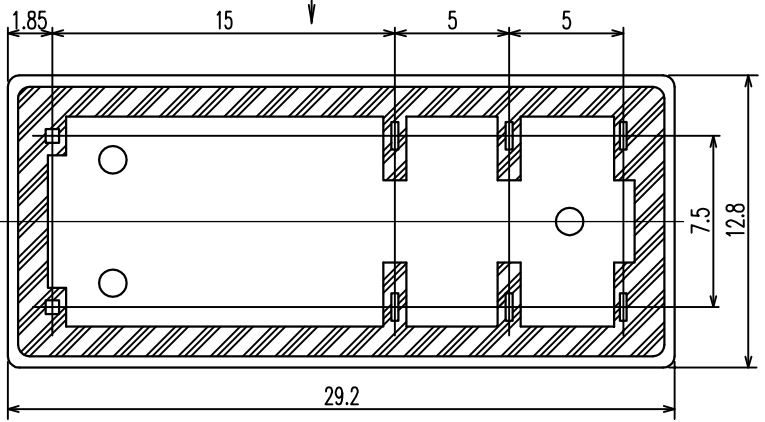


P	LTR	DESCRIPTION	DATE	DWN	APVD
F		1.UPDATE TE LOGO 2.ADD LINE IDENTIFICATION 3.TERMINALS TOLERANCE CLARIFICATION 4.VENT HOLE CHANGE	ECO-12-005726	6-APR-12	D.L BH.Y



VIEW C

"C"



- (A) NOTES:
 1. TERMINAL DIMENSION IS NOT INCLUDING SOLDER TIP.
 2. LOT NUMBER SYSTEM AS FOLLOWS:

 3. GENERAL TOLERANCE AS FOLLOWS:
- | TOLERANCE | |
|------------|------|
| 0~0.99mm | ±0.1 |
| 1mm~2.99mm | ±0.2 |
| 3mm MIN. | ±0.3 |
4. FOR THE TIN-PLATING OF THE PINS:
 +0.1mm FOR WIDTH, THICKNESS AND DIAMETER.
 +0.5mm FOR LENGTH.

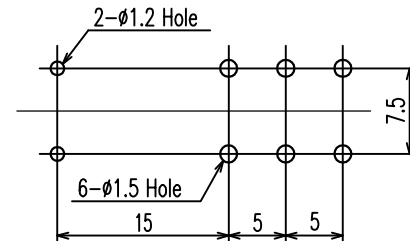
DWN SHIMING.CHEN		TE Connectivity	
CHK WAYNE.PENG			
APVD FUNAYAMA.NAOYA		NAME	
PRODUCT SPEC -		OZ-T CUSTOMER DRAWING	
APPLICATION SPEC -			
MATERIAL -		SIZE A3	RESTRICTED TO -
FINISH -		CAGE CODE 00779	DRAWING NO 1440002-4
CUSTOMER DRAWING		SCALE 4:1	SHEET 1 OF 2
		REV F	

LOC	HH	DIST	REVISIONS						
			P	LTR	DESCRIPTION	ECN	DATE	DWN	APVD

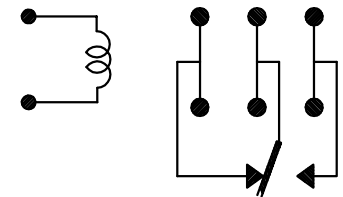
(A1)	1-1440002-1	OZ-SH-124L	24V	OZ-SH-124L
(A1)	1440002-9	OZ-SH-124D	24V	OZ-SH-124D
(A1)	1461252-1	OZ-SH-148L	48V	OZ-SH-148L
(A1)	1440002-6	OZ-SH-112D	12V	OZ-SH-112D
(A1)	1440002-4	OZ-SH-105D	5V	OZ-SH-105D
	1461354-1	OZ-SS-118D	18V	OZ-SS-118D
	3-1440002-1	OZ-SS-148L	48V	OZ-SS-148L
	2-1440002-8	OZ-SS-124L	24V	OZ-SS-124L
	2-1440002-5	OZ-SS-124D	24V	OZ-SS-124D
	2-1440002-3	OZ-SS-112L	12V	OZ-SS-112L
	2-1440002-1	OZ-SS-112D	12V	OZ-SS-112D
	1-1440002-9	OZ-SS-109L	9V	OZ-SS-109L
	1-1440002-8	OZ-SS-109D	9V	OZ-SS-109D
	1-1440002-6	OZ-SS-106L	6V	OZ-SS-106L
	1-1440002-4	OZ-SS-106D	6V	OZ-SS-106D
	1-1440002-3	OZ-SS-105L	5V	OZ-SS-105L
	1-1440002-2	OZ-SS-105D	5V	OZ-SS-105D
	1461717-1	OZ-SH-112L	12V	OZ-SH-112L
	1-1461250-8	OZ-SH-148L	48V	OZ-SH-148L
	1-1461250-6	OZ-SH-148D	48V	OZ-SH-148D
	1-1461250-2	OZ-SH-109L	9V	OZ-SH-109L
	1-1461250-0	OZ-SH-109D	9V	OZ-SH-109D
	0-1461250-8	OZ-SH-106L	6V	OZ-SH-106L
	0-1461250-6	OZ-SH-106D	6V	OZ-SH-106D
	0-1461250-5	OZ-SH-105L	5V	OZ-SH-105L
	0-1461250-3	OZ-SH-105D	5V	OZ-SH-105D
	0-1461250-2	OZ-SH-124L	24V	OZ-SH-124L
	0-1461250-1	OZ-SH-112D	12V	OZ-SH-112D
	0-1440002-7	OZ-SH-112L	12V	OZ-SH-112L
	PART NO	EC TYPE NAME	PART B	PART A

RELAY TYPE

CIRCUIT DIAGRAM(2/1)
(BOTTOM VIEW)



DRILLING DIAGRAM
(BOTTOM VIEW)



DWN SHIMING.CHEN			
CHK WAYNE.PENG			
APVD FUNAYAMA.NAOYA		NAME	
PRODUCT SPEC -		OZ-T CUSTOMER DRAWING	
APPLICATION SPEC -			
SIZE A3	CAGE CODE 00779	DRAWING NO 1440002-4	RESTRICTED TO -
MATERIAL -		SCALE 4:1	SHEET 2 OF 2
FINISH -		REV F	
TOLERANCES UNLESS OTHERWISE SPECIFIED:		CUSTOMER DRAWING	
DIMENSIONS: mm			
0 PLC ± 1 PLC ± 2 PLC ± 3 PLC ± 4 PLC ± ANGLES ±			