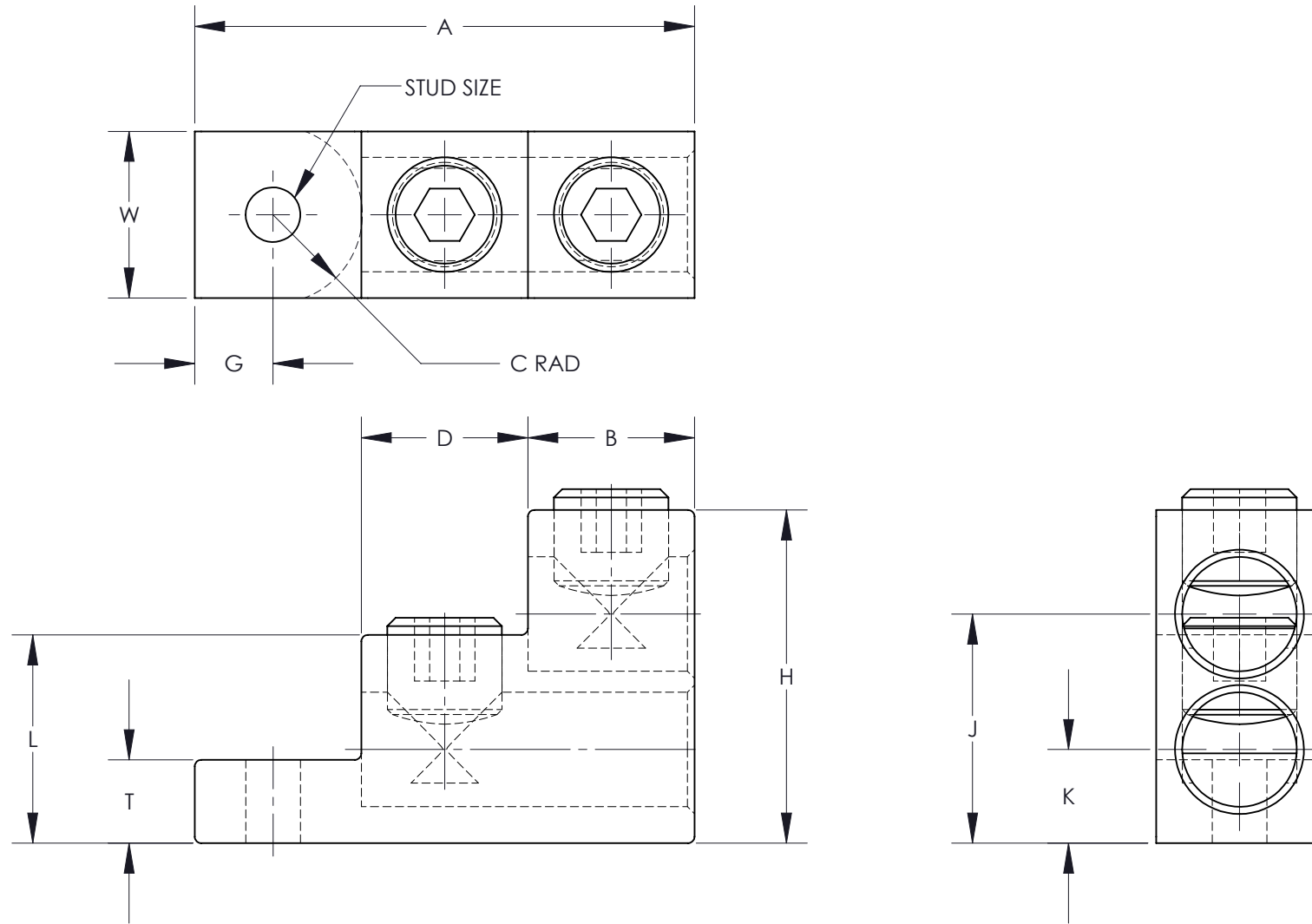


THIS COPY IS PROVIDED ON A RESTRICTED BASIS AND IS NOT TO BE USED IN ANY WAY DETRIMENTAL TO THE INTERESTS OF PANDUIT CORP.

NOTES:

- MATERIAL:  
BODY - ALUMINUM, TIN PLATED  
SCREW - ALUMINUM, TIN PLATED
- UL LISTED & CSA CERTIFIED FOR USE UP TO 600V & TEMPERATURE RATED 90°C (AL9CU)
- DUAL RATED FOR USE WITH COPPER OR ALUMINUM STRANDED CODE CONDUCTOR
- THESE PARTS ARE RoHS COMPLIANT
- USE OF OXIDE INHIBITING JOINT COMPOUND LIKE PANDUIT CMP-100 RECOMMENDED FOR PAD TO PAD AND CONDUCTOR SURFACES
- SEE PACKAGING LABEL FOR TIGHTENING TORQUE INFORMATION
- PKG QTY:  
3 = 3



PART NUMBER	DIMENSIONS - IN [mm] +/- .02 [.5]											STUD SIZE	WIRE STRIP LENGTH	WIRE RANGE	HEX KEY*
	A	B	D	G	T	H	W	C MAX.	J	K	L				
LAM2SA300-56-3	3.00 [76.2]	1.00 [25.4]	1.00 [25.4]	.47 [11.9]	.50 [12.7]	2.00 [50.8]	1.00 [25.4]	.53 [13.5]	1.38 [35.1]	.56 [14.2]	1.25 [31.8]	5/16	1.02 [25.9]	300kcmil-6 AWG	5/16
LAM2SA300-38-3	3.00 [76.2]	1.00 [25.4]	1.00 [25.4]	.47 [11.9]	.50 [12.7]	2.00 [50.8]	1.00 [25.4]	.53 [13.5]	1.38 [35.1]	.56 [14.2]	1.25 [31.8]	3/8	1.02 [25.9]	300kcmil-6 AWG	5/16

\* HEX SIZE MAY DIFFER FROM CHART. DIFFERENCE IN SIZE WILL NOT AFFECT FIT, FORM, OR FUNCTION OF PART

						TITLE LAM2SA SERIES ALUMINUM MECHANICAL LUGS CUSTOMER DRAWING	
						ITEM REVISION NAME N41360BB-C41360/04	
						DATASET FILE NAME C41360/04.SLDDRW	
						UNLESS OTHERWISE SPECIFIED, DIMENSIONAL TOLERANCES ARE: IN [mm] .X ± .XX ±	
						MATERIAL SEE NOTES	
						DRAWING NUMBER C41360_04	
04	2/13	JHNU	JHNU	RGB	REVISED TITLE BLOCK		N41360BB-C41360
REV	DATE	BY	CHK	APR	DESCRIPTION		ECN
						THIRD ANGLE PROJECTION	
						DRAWN BY CJW	
						DATE 12/02	
						CHK	
						SCALE NONE	
						SHEET 1 OF 1	
						SIZE B	