

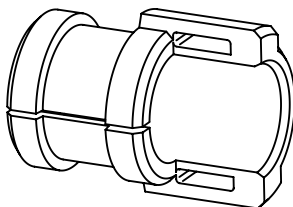
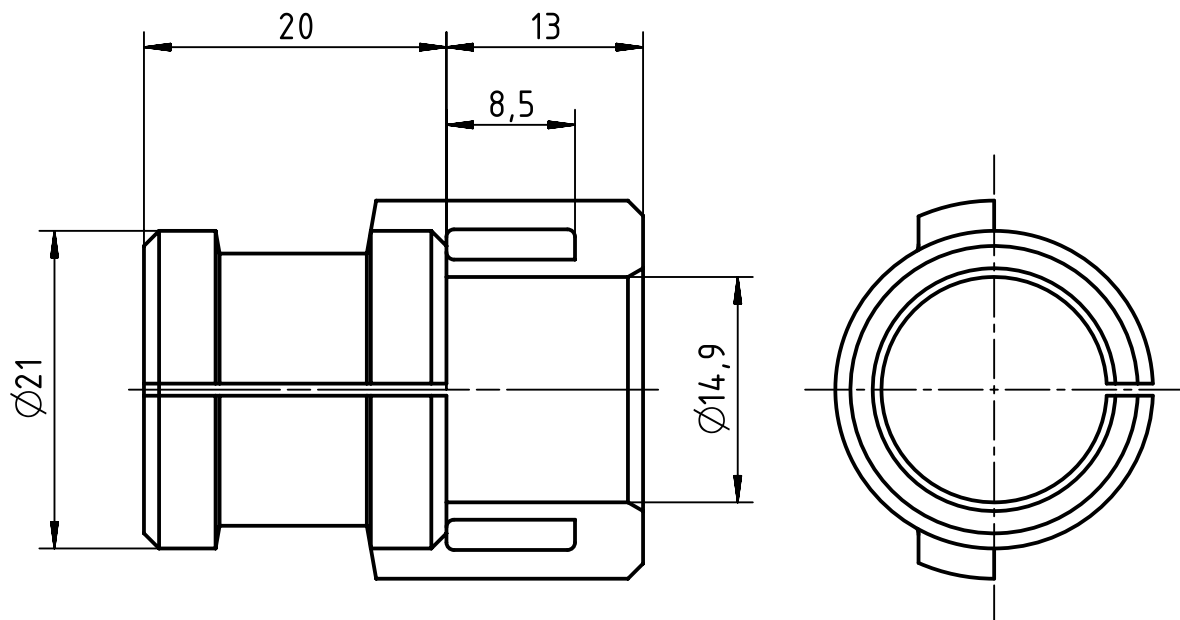
1 2 3 4 5 6

A


B

C

D



suitable cable Ø 14-15mm

	All rights reserved Department EL PD - DE HARTING Electric GmbH & Co. KG D-32339 Espelkamp	All Dimensions in mm Original Size DIN A4	Scale 2:1	Free size tol.		Ref.	
		Created by DICK	Inspected by SCHNIEDER	Standardisation TIEMANNA	Date 2014-07-03	State Final Release	
		Title Grommet 14-15mm KDT/Z14 for Split Hood				Doc-Key / ECM-Nr. 100085382/UGD/003/A 500000076557	
		Type TB	Number 09 00 000 5362			Rev. A	Page 1/1