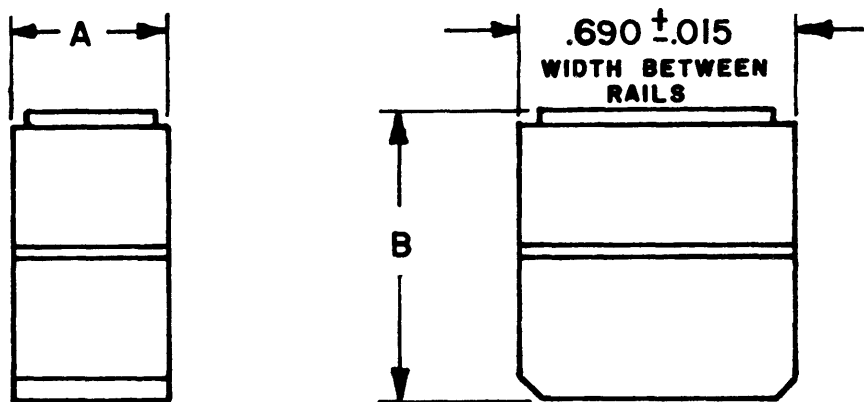
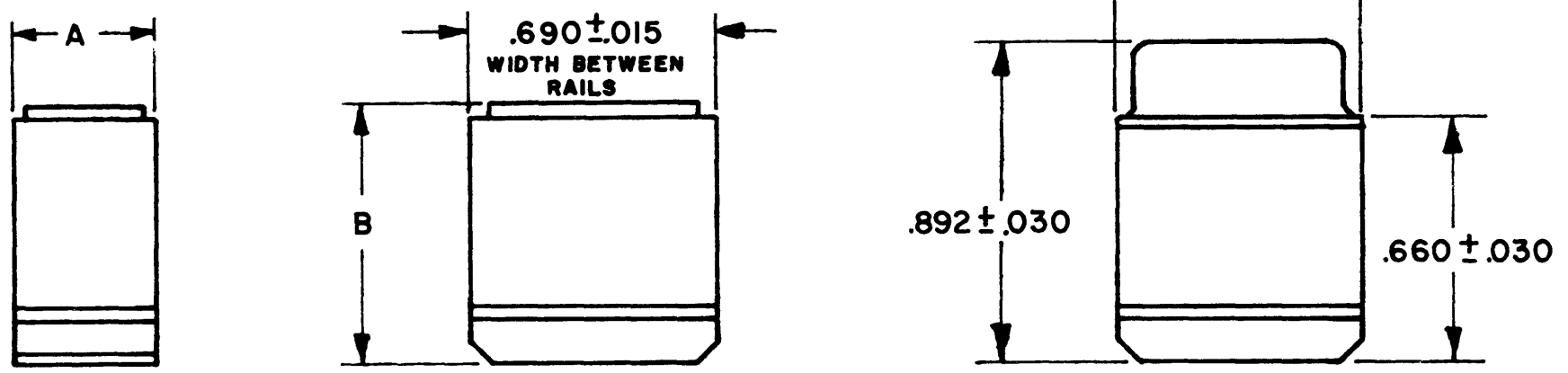


TJ11E-**-**		REVISIONS			
		SYM	DESCRIPTION	DATE	APPROVED
		L	REV & REDR PER E.O. 54074	10-31-68	<i>D.G.B.</i> <i>11-15-68</i>
		M	REV (I) PER E.O. 54097	12-4-68	<i>D.G.B.</i> <i>12-16-68</i>

PART NUMBER	SIZE	WT. IN LBS. APPROX.	A ±.015	B ±.030
TJ11E-06-**-**	22	.013	.395	.785
TJ11E-02-**-**	20	.014	.395	.742
TJ11E-05-**-**	16	.032	.980	.747
TJ11E-07-**-**	12	.048	1.274	.807



SIZE 22 ONLY



SIZE 20, 16 & 12

6. FOR CONTACT DATA SEE ENVELOPE DWG. 61800.
5. MODULE ASSEMBLY WEIGHTS SHOWN INCLUDE 8 CONTACTS FOR SIZES 20, 16, AND 12 AND 10 CONTACTS FOR SIZE 22.
4. TJ11E-\*\*-\*\*-\*\*
3. THESE MODULE SIZES MAY BE USED IN SIZE 1 FRAME ONLY.
2. THE BUS IDENTIFICATION WILL BE SCREENED ON MODULE ASSY. FOR AVAILABLE MODULE ARRANGEMENT SEE CATALOG ENVELOPE DWGS. 61500, 61501, 61502 & 61513.
1. SEE "GENERAL DESCRIPTION" FOR ELECTRICAL AND MATERIAL SPECIFICATION.

NOTES:

10/31/68	SIGNATURE & DATE	<b>MODULE ASSEMBLY          TERMINAL JUNCTION          SIZE 22, 20, 16 &amp; 12          TYPE I          ENVIRONMENTAL          ENVEI JPE</b>	CP	MATL. CODE	
DR	R. BARTLEY		<b>The Deutsch Company</b> ELECTRONIC COMPONENTS DIVISION Municipal Airport Banning, California		
CHK	<i>B.L. Fischer 11-15-68</i>		<b>B</b> TJ11E-**-**-**	DWG. SIZE	CODE 11139
PE	<i>D.G. Block 11/4/68</i>			SHEET   OF	
APPD			SCALE <b>NONE</b>	WT	