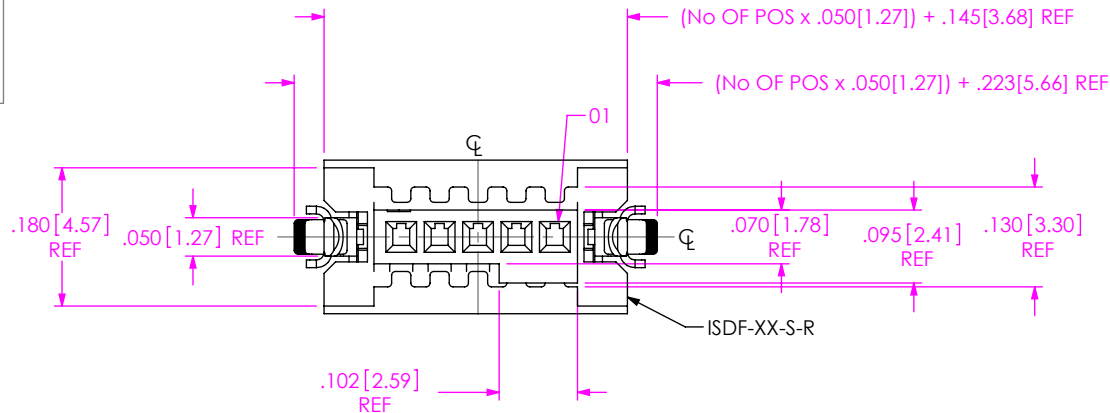


DO NOT SCALE FROM THIS PRINT

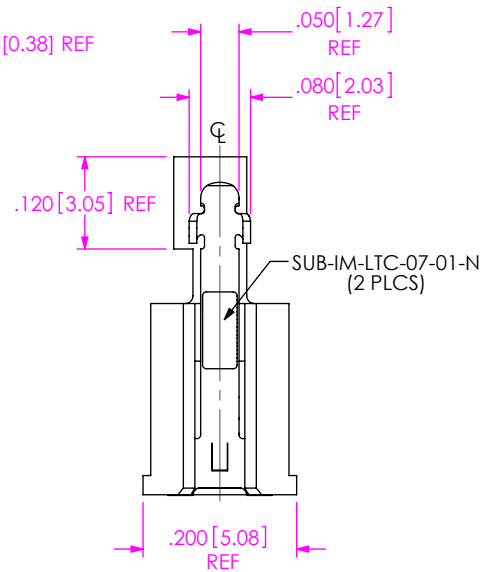
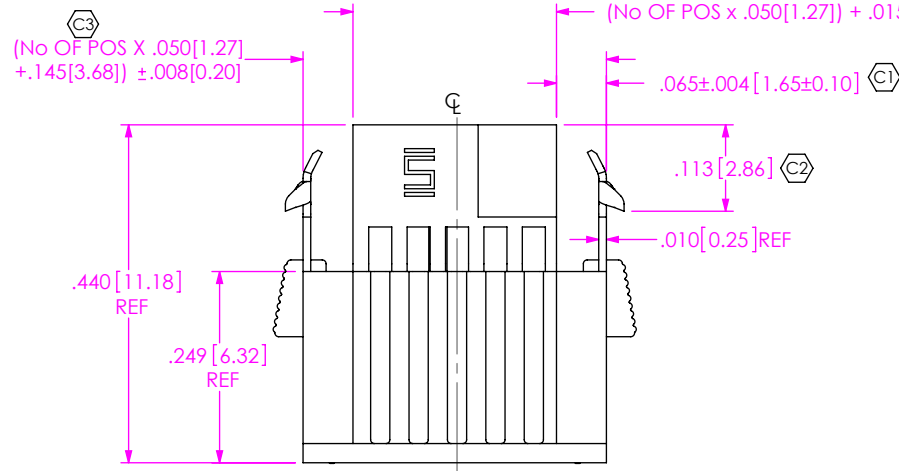
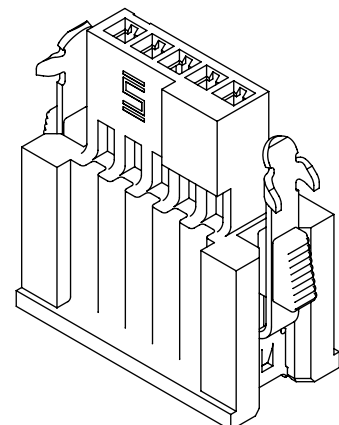


ISDF-XX-S-X

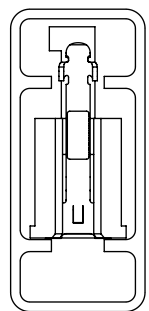
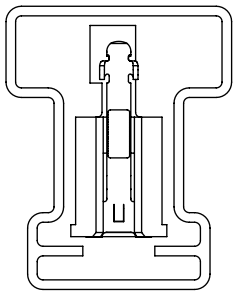
No OF POSITIONS
-02 THRU -50

METAL RETENTION LATCH
(LEAVE BLANK FOR NO LATCH)
-M: METAL RETENTION LATCH

ROW SPECIFICATION
-S: SINGLE (USE ISDF-XX-S-R)



PACKAGING VIEW



TUBE: PT-1-24-02-44
PLUG: TP-03

POSITIONS -02 THRU -04
TUBE: PT-1-24-05-29
PLUG: TP-03

- NOTES:
1. C REPRESENTS A CRITICAL DIMENSION.
 2. LATCH RETENTION FORCE: .5 LB [2.22N].
 3. PARTS TO BE PACKAGED IN TUBES.

<p>UNLESS OTHERWISE SPECIFIED, DIMENSIONS ARE IN INCHES. TOLERANCES ARE:</p> <p>DECIMALS ANGLES</p> <p>.XX: $\pm .01$ [.3] 2°</p> <p>.XXX: $\pm .005$ [.13]</p> <p>.XXXX: $\pm .0020$ [.051]</p>	<p>PROPRIETARY NOTE</p> <p>THIS DOCUMENT CONTAINS INFORMATION CONFIDENTIAL AND PROPRIETARY TO SAMTEC, INC. AND SHALL NOT BE REPRODUCED OR TRANSFERRED TO OTHER DOCUMENTS OR DISCLOSED TO OTHERS OR USED FOR ANY PURPOSE OTHER THAN THAT WHICH IT WAS OBTAINED WITHOUT THE EXPRESSED WRITTEN CONSENT OF SAMTEC, INC.</p>		
		<p>520 PARK EAST BLVD., NEW ALBANY, IN 47150 PHONE: 812-944-6733 FAX: 812-948-5047 e-Mail: info@SAMTEC.com code 55322</p>	
<p>MATERIAL: DO NOT SCALE DRAWING SHEET SCALE: 2:1</p> <p>INSULATOR: LCP, UL 94V-0, COLOR: BLACK LATCH: NICKEL-PLATED PHOS BRONZE BUTTON: NYLON, COLOR: WHITE</p>	<p>DESCRIPTION: .050[1.27] DISCRETE WIRE INSULATOR & LATCH ASM</p>	<p>DWG. NO. ISDF-XX-S-X</p>	
<p>BY: GAYNOR 6/18/2008</p>		<p>SHEET 1 OF 1</p>	