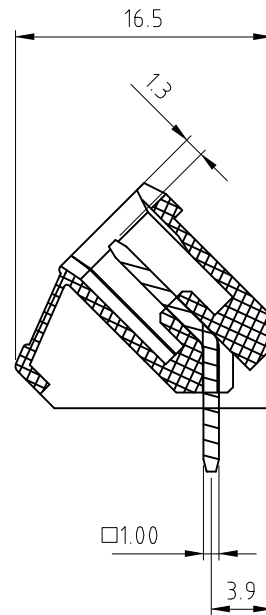


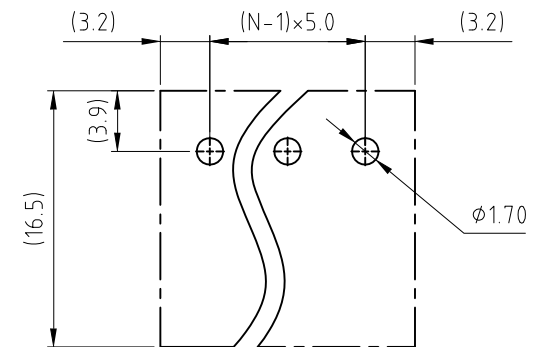
N=Number of contacts



- Material
- Contact pin: Brass
 - Surface of solder tail: Tin plated
 - Insulator (housing): Thermoplastic (UL94V-0)Green

- Electrical cULus /VDE / TUV
- Voltage rating: 300V/300V/300V
 - Current rating: 15A/17A/20A
 - Wire range:
 - Solid wire(AWG):
 - Stranded wire(AWG):
 - Wire strip length:
 - Withstanding Voltage: 1.6KV/2.5KV/2.5KV
 - Operating temperature: -30°C to +105°C
 - Soldering temperature: 250°C±10°C/5 Sec
 - Safety Approval:

P.C.B LAYOUT



RoHS compliant

Scale	1:1						Date	Name	Customer-No.
TOLERANCE						Drawn	10.12.2009	Dean	ASSMANN WSW-No. A-TB500-VKxx
X.	±0.50					Approved	10.12.2009	Hellwig	
X.X	±0.30								
X.XX	±0.10								
DIM	TOL								Drawing-No.
X.°	±1°								ASS 3878 CO
		①	Drawn	10.12.2009	Dean				rev01
Angle	TOL	Id.	Modification	Date	Name			Replace	Sheet

RoHS compliant



ASS 3878 CO rev01

Replace Sheet