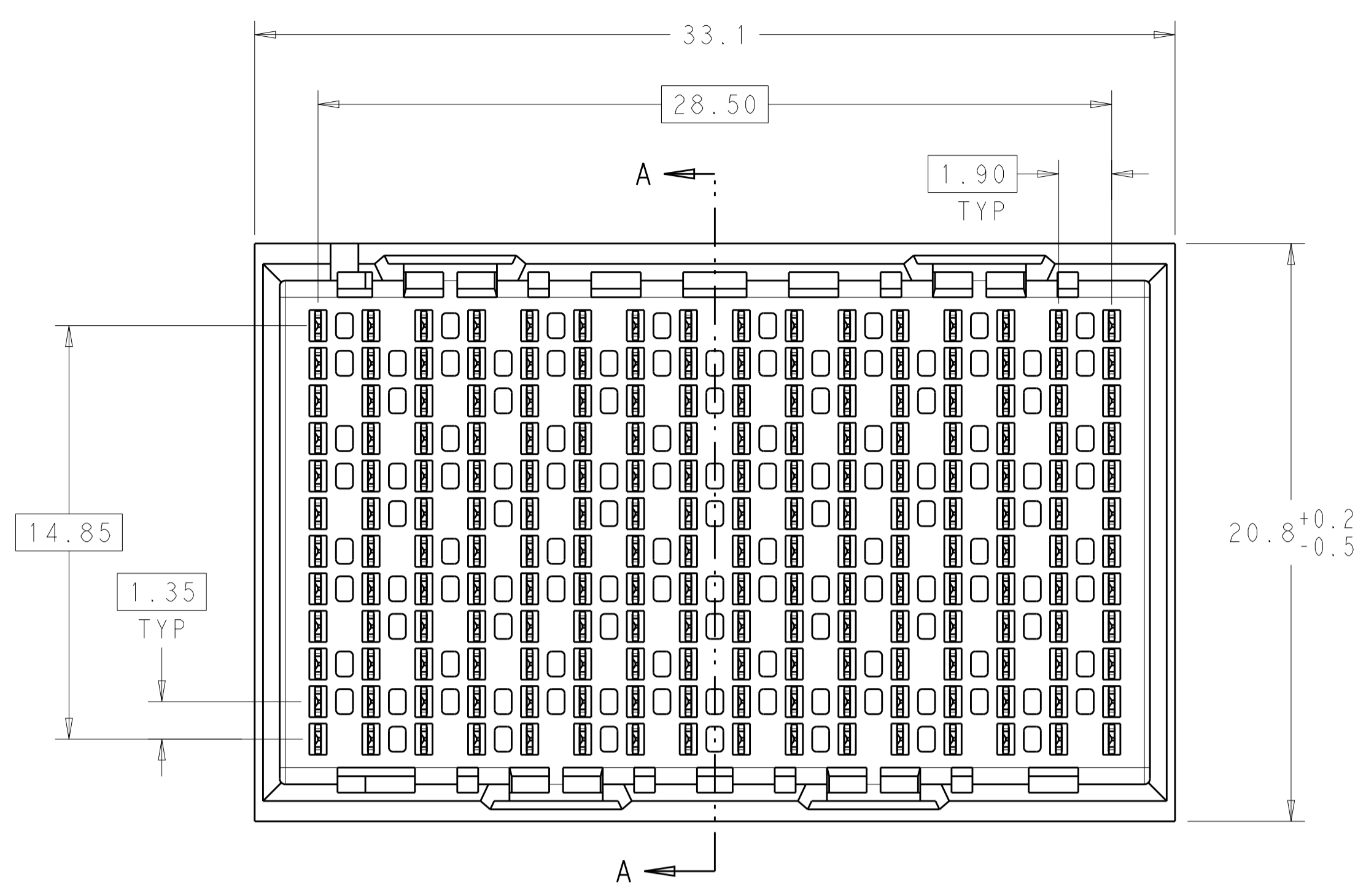
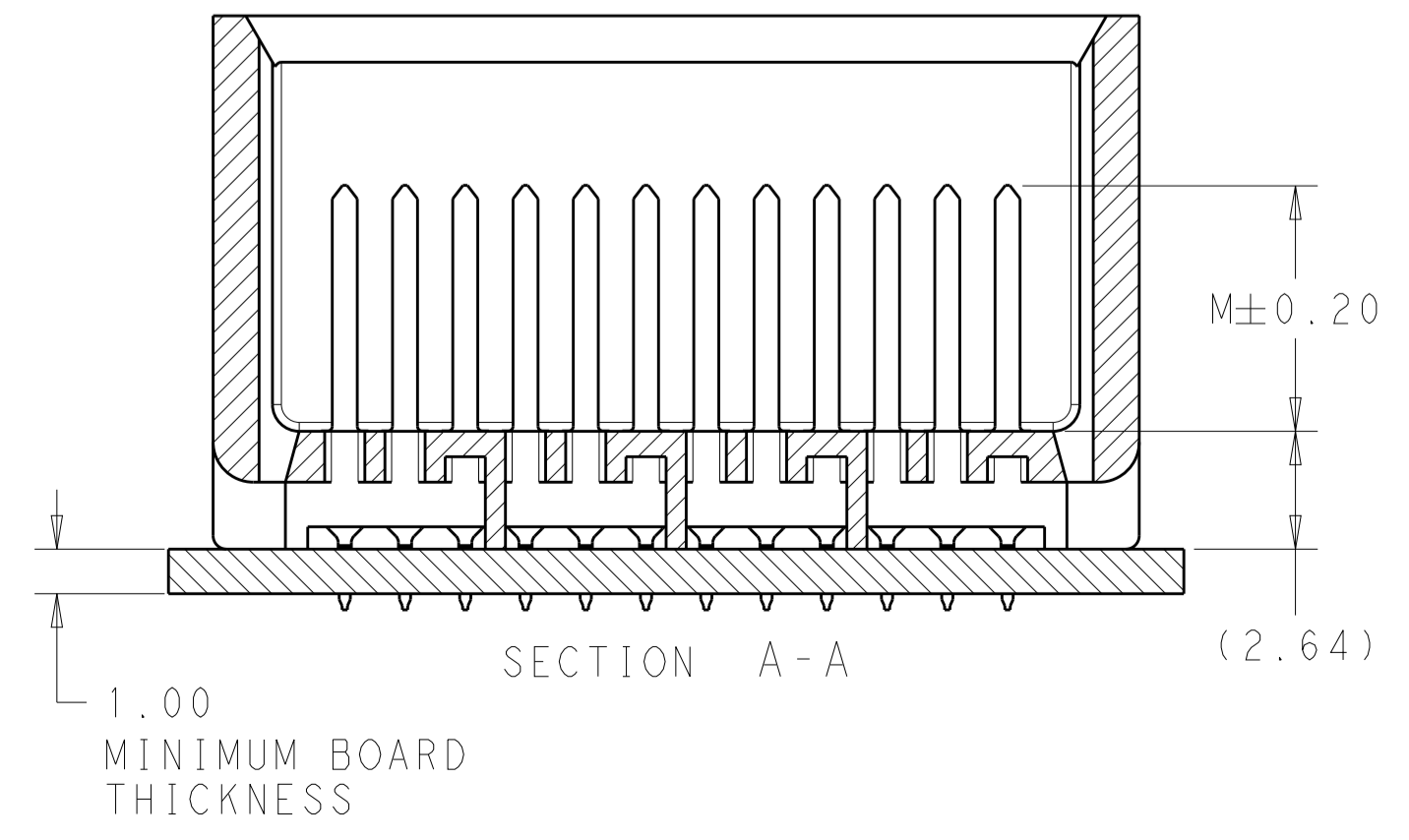
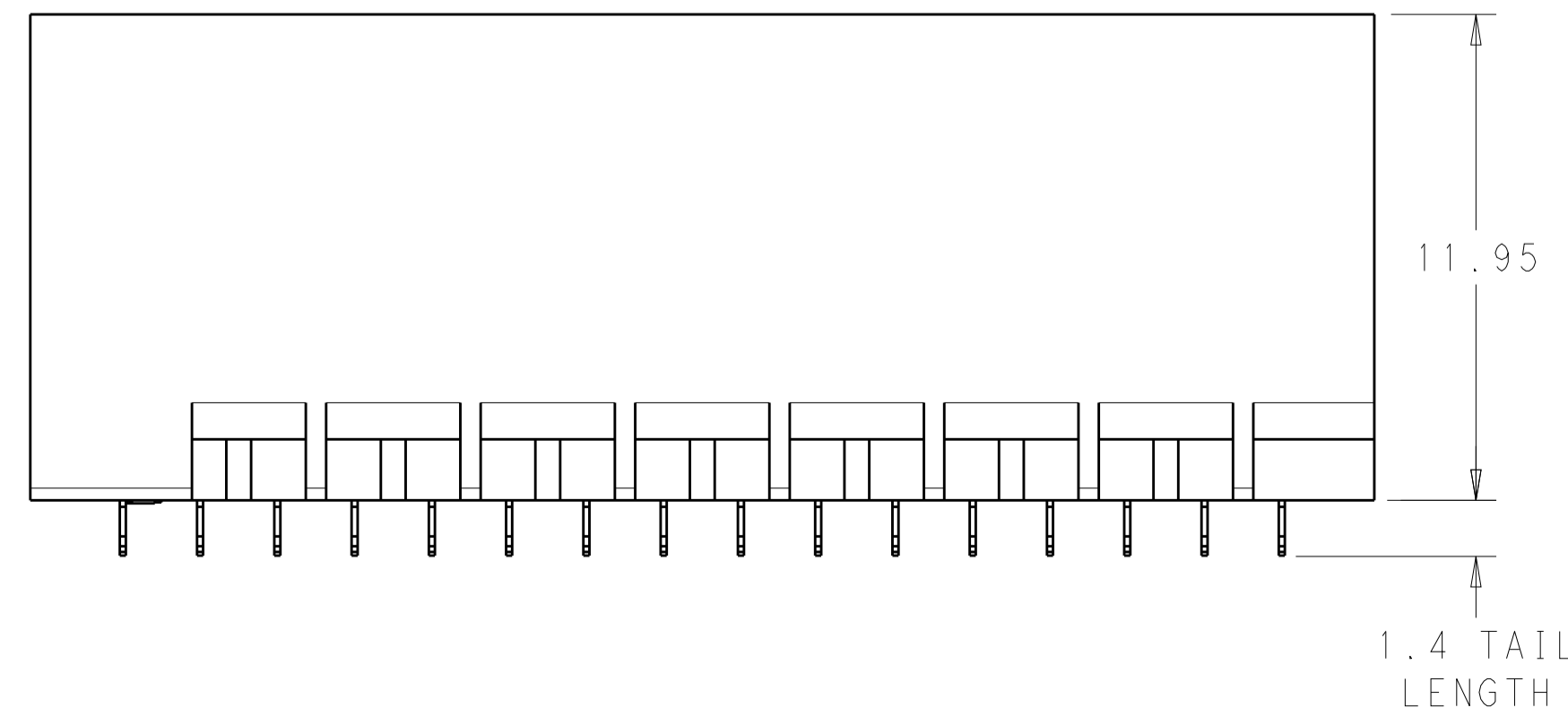
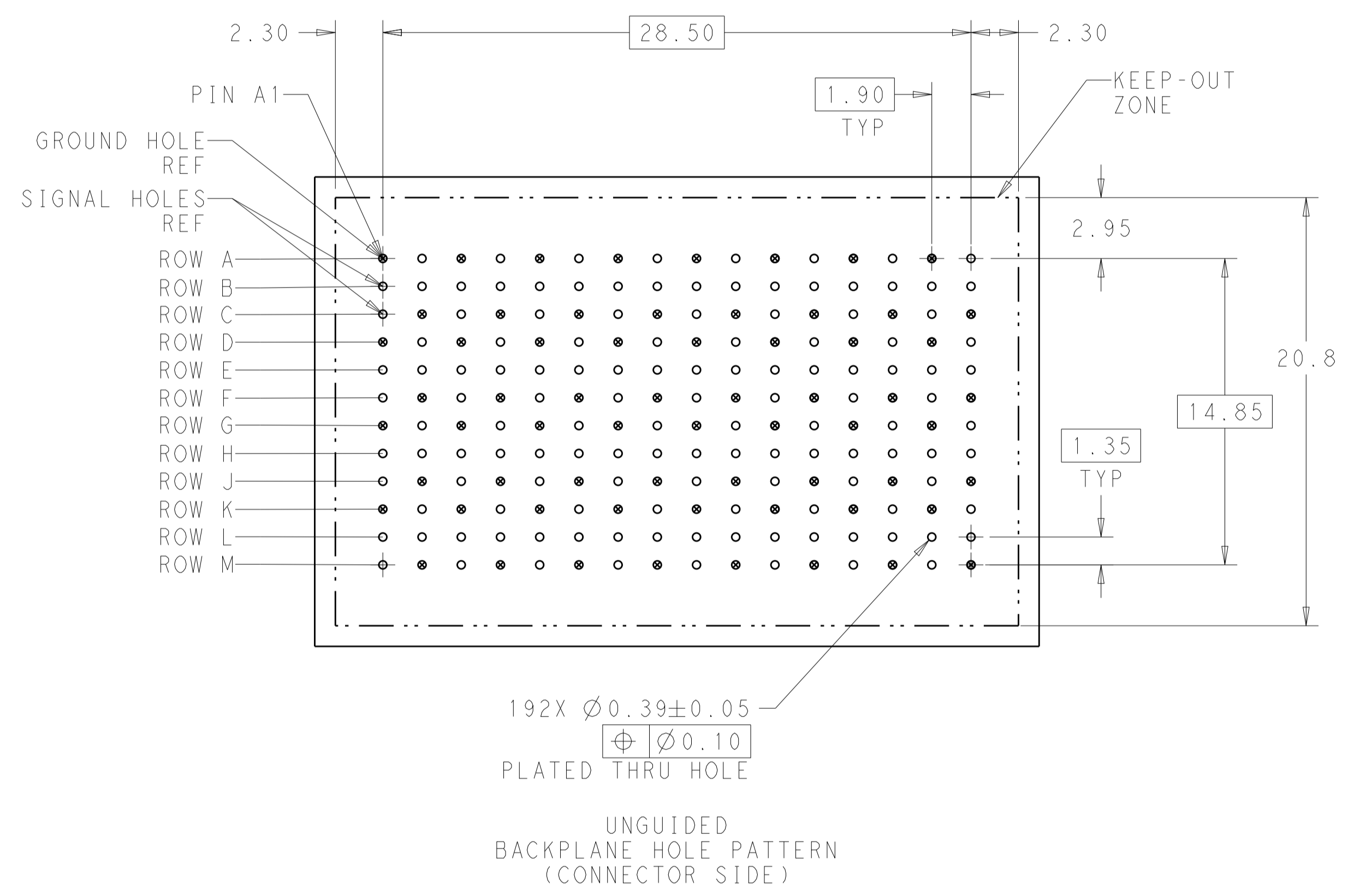
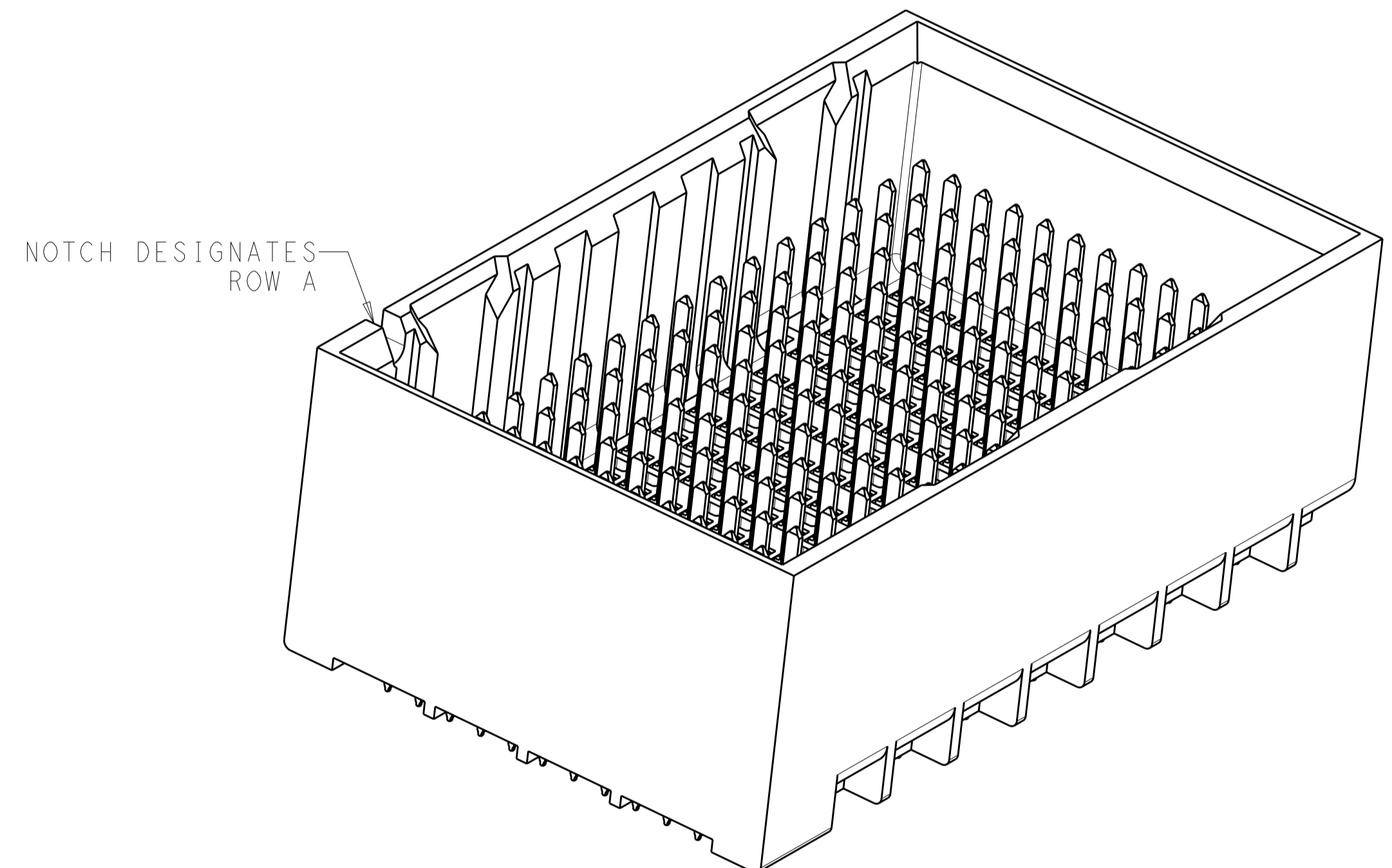


REVISIONS				
P.	LTN	DESCRIPTION	DATE	OWN APVD
B1		REVISED PER ECO-15-001494	05FEB2015	AP DD



⚠ MATERIAL:  
 HOUSING: LCP, GLASS FILLED, UL94V-0.  
 TERMINALS: HIGH PERFORMANCE COPPER ALLOY.

⚠ FINISH:  
 30μ" MIN GOLD IN CONTACT AREA. SELECTIVE TIN  
 ON PCB TAILS, NICKEL OVERALL.



THIS DRAWING IS A CONTROLLED DOCUMENT.		OWN J. K. SHOBER 13JAN2011	TE Connectivity
DIMENSIONS: mm		CHK J. EARY 13JAN2011	
TOLERANCES UNLESS OTHERWISE SPECIFIED:		APVD J. EARY 13JAN2011	NAME
0 PLC	±	PRODUCT SPEC	IMPACT, 4 PAIR, 16 COLUMN, HEADER
1 PLC	±0.25	APPLICATION SPEC	UNGUIDED, DUAL END WALL
2 PLC	±0.13	WEIGHT	SIGNAL MODULE, 0.39 PTH
3 PLC	±	CUSTOMER DRAWING	SIZE CAGE CODE DRAWING NO RESTRICTED TO
4 PLC	±	SCALE 6:1	A100779C=2007838
ANGLES	±	SHEET 1 OF 2	REV B1
FINISH	SEE TABLE		

THIS DRAWING IS UNPUBLISHED.	RELEASED FOR PUBLICATION	2011
© COPYRIGHT 2011	ALL RIGHTS RESERVED.	

REVISIONS					
P.	LTN	DESCRIPTION	DATE	DMN	APVD
-		SEE SHEET 1	-	-	-

	5.5	2007838-3
	4.9	2007838-2
	4.5	2007838-1
FINISH	DIM M	PART NUMBER

REFER TO WWW.TE.COM  
FOR PRODUCT AVAILABILITY

THIS DRAWING IS A CONTROLLED DOCUMENT.		DMN J. K. SHOBER 13JAN2011	
		CHK J. EARY 13JAN2011	
DIMENSIONS:		APVD J. EARY 13JAN2011	NAME IMPACT, 4 PAIR, 16 COLUMN, HEADER UNGUIDED, DUAL END WALL SIGNAL MODULE, 0.39 PTH
mm	TOLERANCES UNLESS OTHERWISE SPECIFIED:	PRODUCT SPEC	
	0 PLC ±	APPLICATION SPEC	SIZE A100779
	1 PLC ±0.25	RESTRICTED TO	CAGE CODE C=2007838
	2 PLC ±0.13	WEIGHT	SCALE 5:1
	3 PLC ±	CUSTOMER DRAWING	SHEET 2 OF 2
	4 PLC ±		REV B1
	ANGLES ±		
MATERIAL	FINISH		
-	SEE TABLE		