

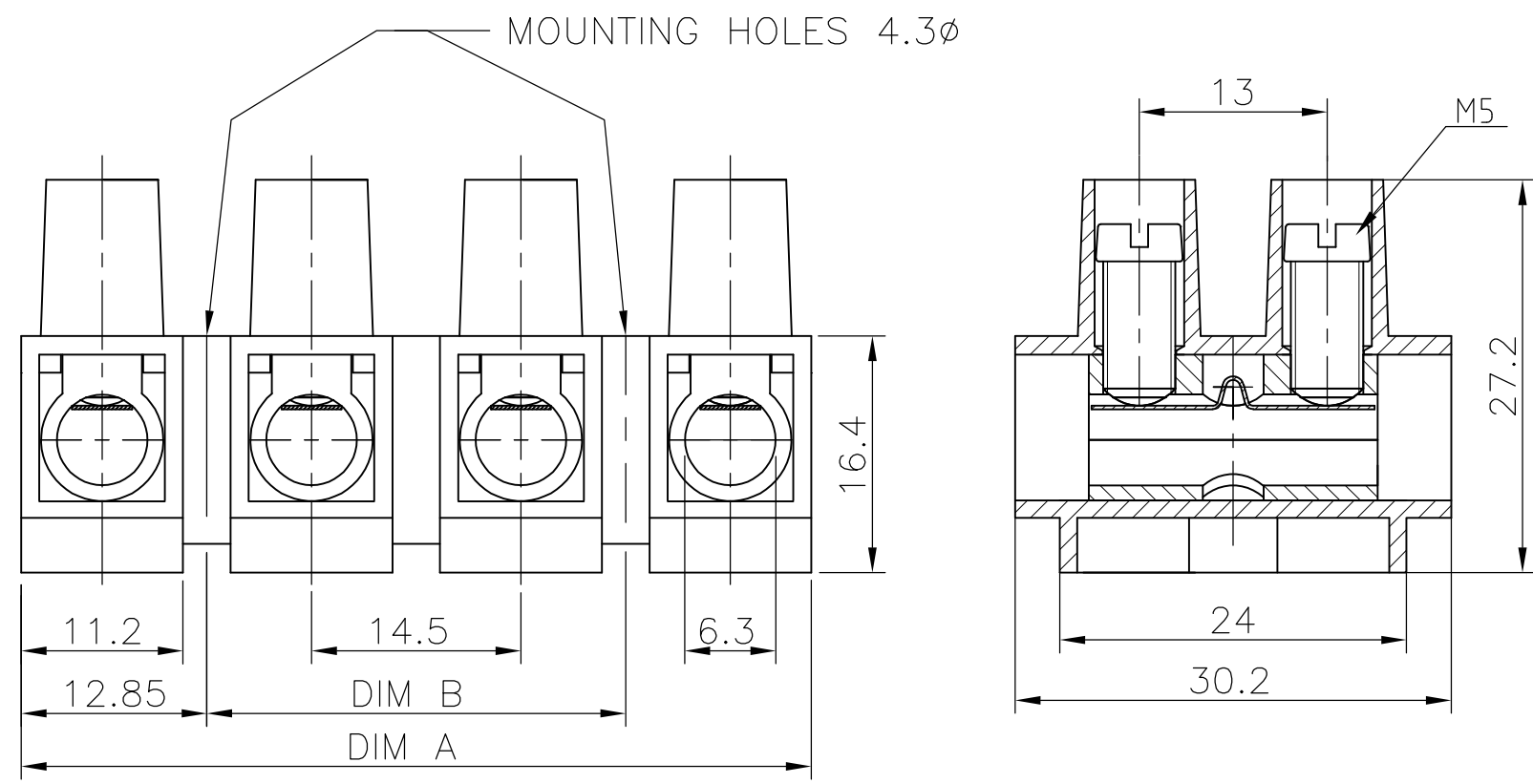
THIS DRAWING IS UNPUBLISHED. RELEASED FOR PUBLICATION
 © COPYRIGHT - By - ALL RIGHTS RESERVED.

LOC	DIST	REVISIONS			
P	LTR	DESCRIPTION	DATE	DWN	APVD
FT	0	A	REVISED PER ECO-11-007502	20APR11	HMR CR

MATERIAL:
 HOUSING: POLYIMIDE 6 UL94V-2.
 COLOR: NATURAL (OFF WHITE).
 TUBULAR CONTACT: BRASS, TIN PLATED.
 SCREW: SEE TABLE
 WIRE PROTECTOR: STAINLESS STEEL

ELECTRICAL:
 CURRENT RATING: 65A, 600V.
 WIRE RANGE: 6-14 UL AND 6-22 AWG FOR (CSA)

CONTINUOUS WORKING TEMP.: 100°C MAX.



PRELIMIANRY					
	NICKEL PLATED BRASS	14.5	40.2	TSB200003KDS	2-1776315-3
	NICKEL PLATED BRASS	-	25.7	TSB200002KDS	2-1776315-2
	TRIVALENT ZINC PLATED STEEL	145	170.7	TSB200012KDS	1-1776315-2
	TRIVALENT ZINC PLATED STEEL	130.5	156.2	TSB200011KDS	1-1776315-1
	TRIVALENT ZINC PLATED STEEL	116	141.7	TSB200010KDS	1-1776315-0
	TRIVALENT ZINC PLATED STEEL	101.5	127.2	TSB200009KDS	1776315-9
	TRIVALENT ZINC PLATED STEEL	87	112.7	TSB200008KDS	1776315-8
	TRIVALENT ZINC PLATED STEEL	72.5	98.2	TSB200007KDS	1776315-7
	TRIVALENT ZINC PLATED STEEL	58	83.7	TSB200006KDS	1776315-6
	TRIVALENT ZINC PLATED STEEL	43.5	69.2	TSB200005KDS	1776315-5
	TRIVALENT ZINC PLATED STEEL	29	54.7	TSB200004KDS	1776315-4
	TRIVALENT ZINC PLATED STEEL	14.5	40.2	TSB200003KDS	1776315-3
	TRIVALENT ZINC PLATED STEEL	-	25.7	TSB200002KDS	1776315-2
	TRIVALENT ZINC PLATED STEEL	-	11.2	TSB200001KDS	1776315-1
	SCREW MATERIAL	DIM B	DIM A	T & B PART NUMBER	TE PART NUMBER

THIS DRAWING IS A CONTROLLED DOCUMENT.		DWN S SCHLEGEL 3/21/05	TE Connectivity			
DIMENSIONS: mm		CHK C RICHARD 3/21/05				
TOLERANCES UNLESS OTHERWISE SPECIFIED:		APVD C RICHARD 3/21/05	NAME			
0 PLC ± - 1 PLC ± 0.3 2 PLC ± 0.25 3 PLC ± - 4 PLC ± - ANGLES ± 2°		PRODUCT SPEC	14.5MM PITCH WIRE PROTECTOR 65A HIGH VOLTAGE VERSION			
MATERIAL		APPLICATION SPEC	SIZE	CAGE CODE	DRAWING NO	RESTRICTED TO
FINISH		WEIGHT	A3	00779	C-1776315	-
CUSTOMER DRAWING			SCALE	SHEET	REV	
			NTS	1 OF 1	A	