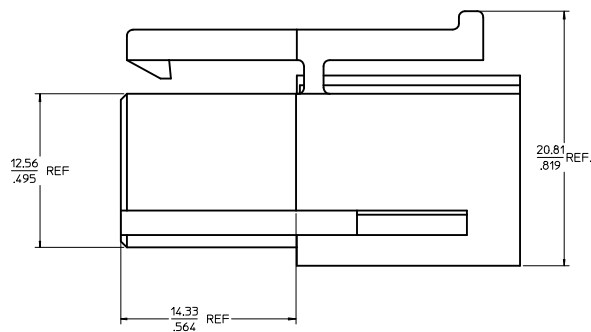
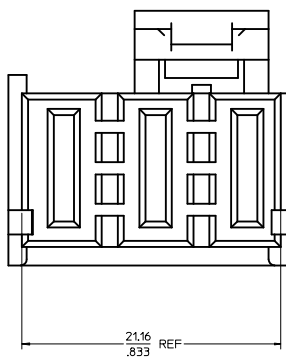
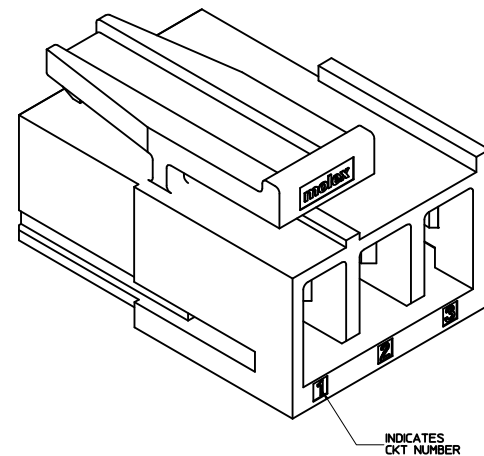
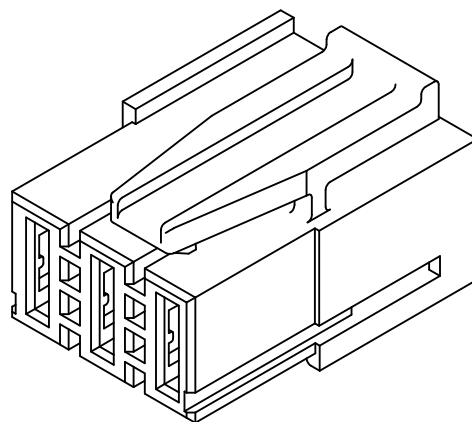
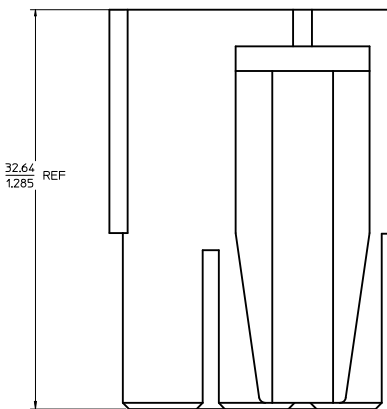


20 19 18 17 16 15 14 13 12 11 10 9 8 7 6 5 4 3 2 1

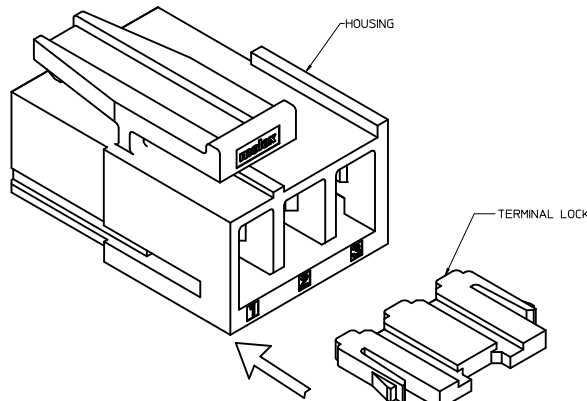
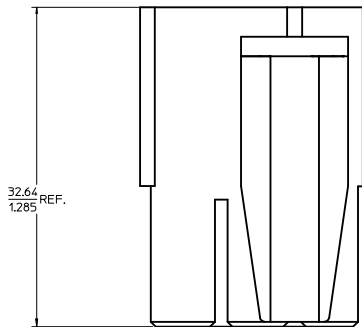


NOTES:

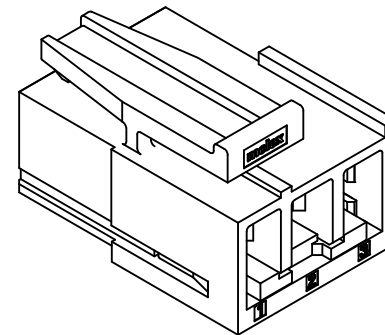
1. MATERIAL:
-HOUSING: HIGH TEMPERATURE PLASTIC BLACK UL-94V-0 (PBT)
2. HOUSING PACKED BULK, MIN ORDER QTY: 100
3. HARNESS HOUSING DESIGN FOR 44262-**** TERMINALS, REFER TO MOLEX DRAWING SD-44262-026
4. PRODUCT MEETS RoHS REQUIREMENTS
5. HARNESS REQUIRES TERMINAL LOCK P/N: 46641-0003, SOLD SEPARATELY
6. MATES TO 76546-0004 TO -0007

REV DOCUMENT NO IEC NO: UCP2011-3253 DRAWN: JUILLES 2011/04/26 CHKD: APATEL 2011/04/26 APPR: APATEL 2011/04/27	QUALITY SYMBOLS DESCRIPTION	GENERAL TOLERANCES (UNLESS SPECIFIED)		DIMENSION STYLE MM/IN	SCALE 4:1	DESIGN UNITS METRIC	THIRD ANGLE PROJECTION
		4 PLACES ±.010 ±.010 3 PLACES ±.010 ±.010 2 PLACES ±0.25 ±.010 1 PLACE ±0.25 ±.010	mm INCH	DRAWN BY DATE BKOSTIIC 2008/01/28	TITLE 3 CKT AC HARNESS HOUSING TEN60 WIRE		
		ANGULAR ±1/2°	APPROVED BY DATE APATEL 2011/04/27	MATERIAL NO. 46586-0003	DOCUMENT NO. SD-46586-003		
		DRAFT WHERE APPLICABLE MUST REMAIN WITHIN DIMENSIONS	SIZE D	THIS DRAWING CONTAINS INFORMATION THAT IS PROPRIETARY TO MOLEX INCORPORATED AND SHOULD NOT BE USED WITHOUT WRITTEN PERMISSION			

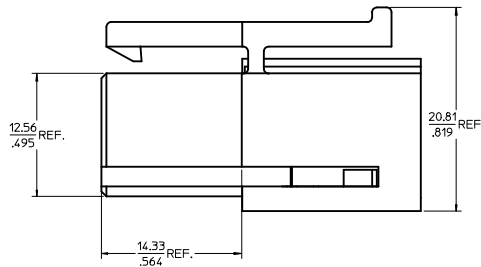
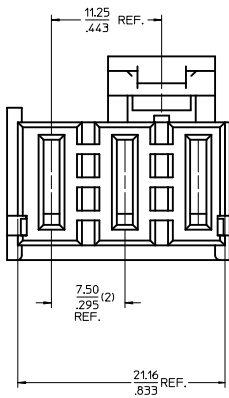
19 18 17 16 15 14 13 12 11 10 9 8 7 6 5 4 3 2 1



TERMINAL LOCK LOADING DIRECTION
(TERMINAL LOCK INCLUDED IN THE KIT)



TERMINAL LOCK FULLY SITTED



NOTES:

1. MATERIAL:
-HOUSING: HIGH TEMPERATURE PLASTIC BLACK UL-94V-0 (PBTF).
-HARNESS KIT PACKED PER PACKAGING SPEC PK-46586-100.
2. HARNESS HOUSING DESIGN FOR 44262-**** TERMINALS SEE CHART:

USE FOR MATING WITH GOLD PLATED PLUG ASSY ONLY		
P/N:	WIRE SIZE:	PLATING
44262-4632	10/12 OR 2x14	100μ INCHES OF BRIGHT SELECT TIN OVER 50μ INCHES OF NICKEL OVERALL WITH 30μ INCHES OF SELECT GOLD (AT CONTACT)
44262-4636	14/16	

USE FOR MATING WITH TIN PLATED PLUG ASSY ONLY		
P/N:	WIRE SIZE:	PLATING
44262-4402	10/12 OR 2x14	100μ INCHES OF TIN OVER 50μ INCHES OF NICKEL OVERALL
44262-4406	14/16	

REFER TO MOLEX DRAWING SD-44262-100 FOR DETAILS.

4. PRODUCT MEETS RoHS REQUIREMENTS.
5. FOR MATING ASSEMBLY PLEASE CONTACT MOLEX FOR DETAILS.

HARNESS KIT P/N:	ONLY 3CKT HOUSING P/N:	ONLY TERMINAL LOCK P/N:
46586-1003	46586-0003	46641-0003

NOTE: IEC NO: UCF2011-0070 DRAWN: BKOSTIC 2010/08/13 CHKD: BKOSTIC APPR: APATEL 2010/12/16 REV:	QUALITY SYMBOLS	GENERAL TOLERANCES (UNLESS SPECIFIED)	DIMENSION STYLE	SCALE	DESIGN UNITS	THIRD ANGLE PROJECTION
		mm INCH	MM/IN	4:1	METRIC	
		4 PLACES ± .010	DATE	TITLE		
		3 PLACES ± .010	DATE	3CKT AC HARNESS KIT TEN60 WIRE		
	2 PLACES ± 0.25 ± .010	DATE	MOLEX INCORPORATED			
	1 PLACE ± 0.25 ± .010	DATE	MATERIAL NO. 46586-1003 DOCUMENT NO. SD-46586-103 SHEET NO. 1 OF 1			
	ANGULAR ±1/2°		THIS DRAWING CONTAINS INFORMATION THAT IS PROPRIETARY TO MOLEX INCORPORATED AND SHOULD NOT BE USED WITHOUT WRITTEN PERMISSION			
	DRAFT WHERE APPLICABLE MUST REMAIN WITHIN DIMENSIONS					