

List of "SFW\_\_R-3/4STE1LF" customer document

| DOCUMENT NO.   | LIST  |
|--|---|
| SC-STW11   | SPEC.   |
| JSA95860   | CAT.NO.TABLE FOR 1mm SPACING SMT CONNECTOR (SFW__R-3/4ST__LF)                       |
| JSA95861   | 1mm SPACING SMT CONNECTOR (SFW__R-3ST__LF)  |
| JSA95862   | 1mm SPACING SMT CONNECTOR (SFW__R-4ST__LF)  |
| JSA95863   | CAT.NO.TABLE FOR PLASTIC TAPE PACKAGED 1mm SPACING SMT CONNECTOR (SFW__R-3/4STE1LF) |
| JSA95864   | PLASTIC TAPE PACKAGED 1mm SPACING SMT CONNECTOR (SFW__R-3STE1LF)                    |
| JSA95865   | PLASTIC TAPE PACKAGED 1mm SPACING SMT CONNECTOR (SFW__R-4STE1LF)                    |
| JSA93212   | RECOMMENDED CABLE (FPC) (SFW__R-3/4ST__)  |
| JSA93213 <span style="border: 1px solid black; padding: 2px;">C</span> | RECOMMENDED CABLE (FFC) (SFW__R-3/4ST__)  |
| GS-20-130  | HANDLING PROCEDURES   |

NOTE

1. A C symbol will be next to any dimension, view, or note which has been modified with the current drawing revision.

|                           |  |                |  |  |  |  |  |   |  |         |  |
|---------------------------|--|----------------|--|--|--|--|--|---|--|---------|--|
| mat'l. code -             |  |                |  | surface 58 / tolerance ISO 1302 <input checked="" type="checkbox"/> ISO 406 ISO 1101 |  | projection  |  | product family 58RF   |  | CODE JP |  |
| ltr ecn no dr date        |  |                |  | tolerances unless otherwise specified  |  | mm          |  | title   |  |         |  |
| A J05-0055 H.T 05-02-04   |  |                |  | angles linear  |  |  |  | 1mm SPACING FPC CONNECTOR DOCUMENT LIST (Cat. No. : SFW__R-3/4STE1LF) |  |         |  |
| B J06-0398 H.T 06-09-26   |  |                |  |  |  | scale $\times$   |  | dwg no sheet 1 of 1 size  |  |         |  |
| C S09-0180 DGOH 09-05-28  |  |                |  |  |  |             |  | JSA 96338 A4  |  |         |  |
| D J09-0363 M.Y 2009-10-8  |  |                |  | dr M.YAMAGUCHI 2009-10-27  |  |  |  | type Product Customer Drawing   |  |         |  |
| E J09-0380 M.Y 2009-10-27 |  |                |  | engr M.YAMAGUCHI 2009-10-27  |  |  |  |   |  |         |  |
|                           |  |                |  | chr S. Odawara 2009-10-27  |  |  |  |   |  |         |  |
|                           |  |                |  | appd S. Odawara 2009-10-27   |  |  |  |   |  |         |  |
| sheet index               |  | revision sheet |  | E 1  |  |  |  |   |  | Rev. E  |  |

CAT. NO. & DIMENSIONS

| NO. OF CONTACTS (n) | CAT. NO.         | DIMENSIONS (NOTE2) |         |         |         |
|---------------------|------------------|--------------------|---------|---------|---------|
|                     |                  | A ± 0.2            | B ± 0.2 | C ± 0.2 | D ± 0.1 |
| 4                   | SFW4R-3/4ST__LF  | 9.8                | 8.6     | 3.0     | 3.92    |
| 5                   | SFW5R-3/4ST__LF  | 10.8               | 9.6     | 4.0     | 4.92    |
| 6                   | SFW6R-3/4ST__LF  | 11.8               | 10.6    | 5.0     | 5.92    |
| 7                   | SFW7R-3/4ST__LF  | 12.8               | 11.6    | 6.0     | 6.92    |
| 8                   | SFW8R-3/4ST__LF  | 13.8               | 12.6    | 7.0     | 7.92    |
| 9                   | SFW9R-3/4ST__LF  | 14.8               | 13.6    | 8.0     | 8.92    |
| 10                  | SFW10R-3/4ST__LF | 15.8               | 14.6    | 9.0     | 9.92    |
| 11                  | SFW11R-3/4ST__LF | 16.8               | 15.6    | 10.0    | 10.92   |
| 12                  | SFW12R-3/4ST__LF | 17.8               | 16.6    | 11.0    | 11.92   |
| 13                  | SFW13R-3/4ST__LF | 18.8               | 17.6    | 12.0    | 12.92   |
| 14                  | SFW14R-3/4ST__LF | 19.8               | 18.6    | 13.0    | 13.92   |
| 15                  | SFW15R-3/4ST__LF | 20.8               | 19.6    | 14.0    | 14.92   |
| 16                  | SFW16R-3/4ST__LF | 21.8               | 20.6    | 15.0    | 15.92   |
| 17                  | SFW17R-3/4ST__LF | 22.8               | 21.6    | 16.0    | 16.92   |
| 18                  | SFW18R-3/4ST__LF | 23.8               | 22.6    | 17.0    | 17.92   |
| 19                  | SFW19R-3/4ST__LF | 24.8               | 23.6    | 18.0    | 18.92   |
| 20                  | SFW20R-3/4ST__LF | 25.8               | 24.6    | 19.0    | 19.92   |
| 21                  | SFW21R-3/4ST__LF | 26.8               | 25.6    | 20.0    | 20.92   |
| 22                  | SFW22R-3/4ST__LF | 27.8               | 26.6    | 21.0    | 21.92   |
| 23                  | SFW23R-3/4ST__LF | 28.8               | 27.6    | 22.0    | 22.92   |
| 24                  | SFW24R-3/4ST__LF | 29.8               | 28.6    | 23.0    | 23.92   |
| 25                  | SFW25R-3/4ST__LF | 30.8               | 29.6    | 24.0    | 24.92   |
| 26                  | SFW26R-3/4ST__LF | 31.8               | 30.6    | 25.0    | 25.92   |
| 27                  | SFW27R-3/4ST__LF | 32.8               | 31.6    | 26.0    | 26.92   |
| 28                  | SFW28R-3/4ST__LF | 33.8               | 32.6    | 27.0    | 27.92   |
| 29                  | SFW29R-3/4ST__LF | 34.8               | 33.6    | 28.0    | 28.92   |
| 30                  | SFW30R-3/4ST__LF | 35.8               | 34.6    | 29.0    | 29.92   |

CAT. NO. SFW (n) R - 3 ST \_\_\_ LF

SERIES NAME

NO. OF CONTACTS

RIGHT ANGLE TYPE

FOR FPC/FFC, WITH CABLE LOCK MECHANISM

CONTACT DIRECTION  
3. LOWER CONTACT TYPE  
4. UPPER CONTACT TYPE

FOR AUTOMATIC MOUNTING (SMT)

PACKAGE STYLE

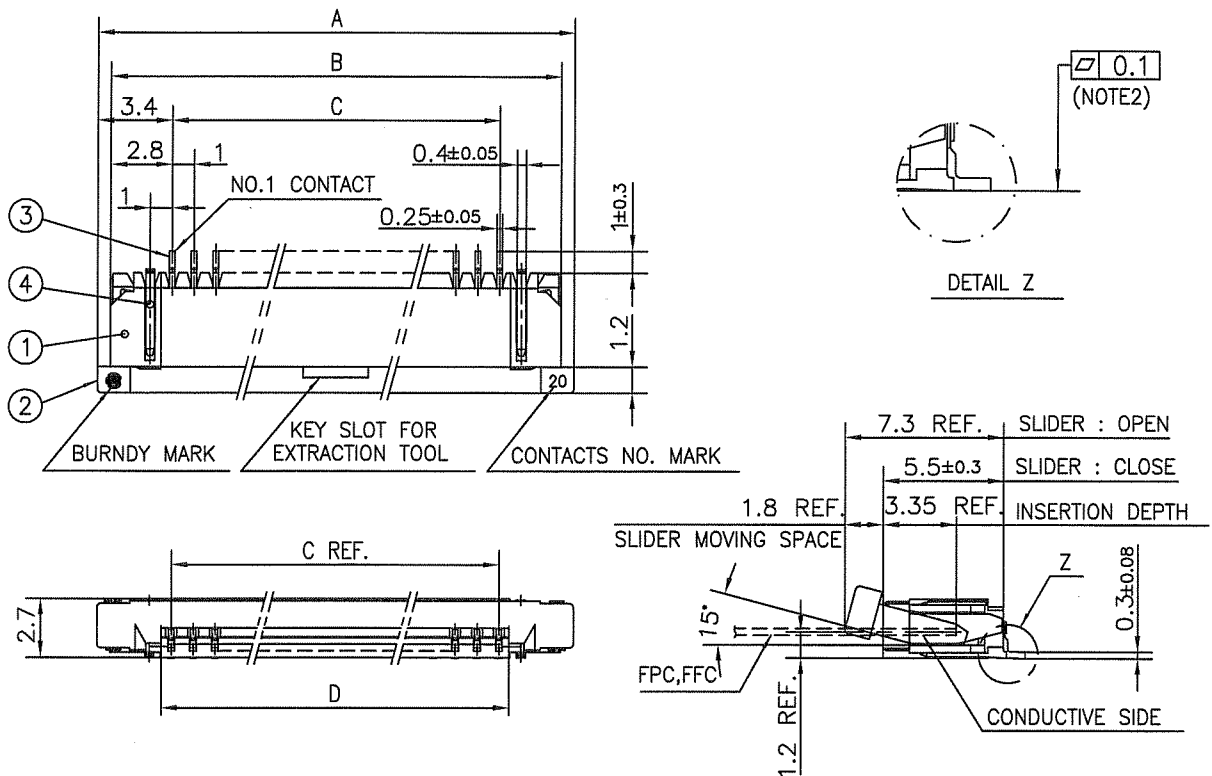
LEAD FREE

NOTES

1. THIS PRODUCT IS THE CONNECTOR USED FOR FPC/FFC AND COPE WITH AUTOMATIC MOUNTING (SMT).
2. SEE PART DRAWINGS FOR DIMENSIONS A~D.
3. THIS PRODUCT IS THE CONNECTOR WITH CABLE LOCK MECHANISM.

|             |  |                |  |                       |  |                              |  |                                       |  |   |  |                   |  |
|-------------|--|----------------|--|-----------------------|--|------------------------------|--|---------------------------------------|--|---|--|-------------------|--|
| mat'l. code |  |                |  | surface 58 / ISO 1302 |  | tolerance ISO 406 / ISO 1101 |  | projection                            |  | product family 58RF   |  | CODE JP           |  |
| ltr         |  | ecn no         |  | dr                    |  | date                         |  | tolerances unless otherwise specified |  | title   |  | sheet 1 of 1 size |  |
| AA          |  | J05-0055       |  | H.T                   |  | 2/4/'05                      |  | angles linear                         |  | CAT NO. TABLE FOR 1mm SPACING SMT CONNECTOR (Cat. No. SFW__R-3/4ST__LF) |  | A4                |  |
| AB          |  | J06-0398       |  | H.T                   |  | 9/26/'06                     |  | mm                                    |  | dwg no  |  | sheet 1 of 1 size |  |
| AC          |  | J09-0363       |  | M.Y                   |  | 2009-10-8                    |  | scale X                               |  | JSA 95860   |  | A4                |  |
|             |  |                |  | dr                    |  | M.YAMASHITA 2009-10-8        |  | FCJ                                   |  | type Product Customer Drawing   |  |                   |  |
|             |  |                |  | enr                   |  | M.YAMASHITA 2009-10-8        |  |                                       |  |   |  |                   |  |
|             |  |                |  | chr                   |  | S. W. 2009-10-8              |  |                                       |  |   |  |                   |  |
|             |  |                |  | appd                  |  | S. W. 2009-10-8              |  |                                       |  |   |  |                   |  |
| sheet index |  | revision sheet |  | AC                    |  | 1                            |  |                                       |  |   |  | Rev. AC           |  |

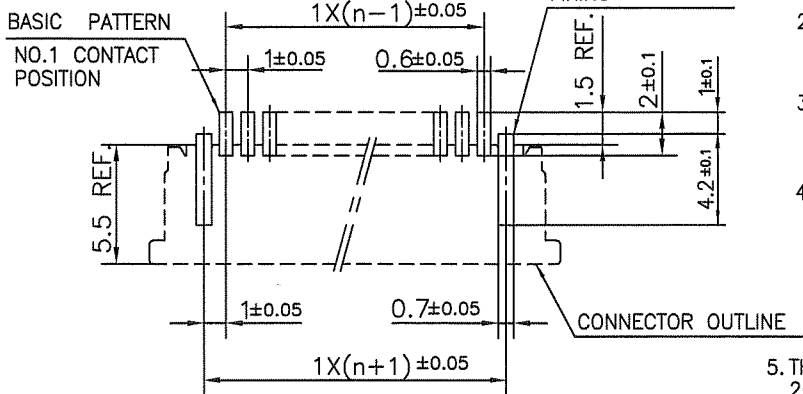
SC\_SF11 JSA95861 95862 95863 95864 95865 93212 93213 Form: A4



| PT. NO. | PARTS NAME     | MATERIAL                             | Q'TY | NOTE          |
|---------|----------------|--------------------------------------|------|---------------|
| 1       | HOUSING        | PPS RESIN GLASS REINFORCED (UL94V-0) | 1    | COLOR : BLACK |
| 2       | SLIDER         |                                      | 1    | COLOR : BROWN |
| 3       | CONTACT        | PHOSPHOR BRONZE                      | n    | PLATING : TIN |
| 4       | MOUNTING PLATE |                                      | 2    |               |

n : NO. OF CONTACTS

RECOMMENDED PC BOARD LAYOUT  
(COMPONENT SIDE)



NOTES

1. THIS PRODUCT IS THE CONNECTOR USED FOR FPC/FFC AND COPEs WITH AUTOMATIC MOUNTING (SMT).
2. FLATNESS FOR CONTACT TERMINAL HOUSING MUST BE WITHIN TOLERANCE IN Z PORTION DETAILED DRAWING.
3. THIS PRODUCT IS LOWER CONTACT TYPE CONNECTOR WITH CABLE LOCK MECHANISM.
4. THIS PRODUCT MEETS EUROPEAN UNION DIRECTIVES AND OTHER COUNTRY REGULATIONS AS DESCRIBED IN GS-22-008
5. THE HOUSING WILL WITHSTAND EXPOSURE TO 260°C PEAK TEMPERATURE FOR 10 SECONDS IN A REFLOW SOLDERING OVEN.

|                           |  |  |  |  |  |            |  |   |  |         |  |  |  |
|---------------------------|--|--|--|--|--|------------|--|---|--|---------|--|--|--|
| mat'l. code               |  |  |  | surface 58 / tolerance ISO 1302 ✓ ISO 406 ISO 1101 |  | projection |  | product family 58RF                                 |  | CODE JP |  |  |  |
| ltr ecn no dr date        |  |  |  | tolerances unless otherwise specified              |  | mm         |  | title   |  |         |  |  |  |
| AA J04-0180 H.T 7/2/'04   |  |  |  | angles linear ±0.2                                 |  | mm         |  | 1mm SPACING SMT CONNECTOR (Cat. No. SFW__R-3ST__LF) |  |         |  |  |  |
| AB J05-0055 H.T 2/4/'05   |  |  |  |  |  |            |  |   |  |         |  |  |  |
| AC J05-0736 H.T 10/28/'05 |  |  |  |  |  | scale X    |  |   |  |         |  |  |  |
| AD J06-0398 H.T 9/26/'06  |  |  |  | dr M.YAMASHITA 2009-10-8                           |  | FCJ        |  | dwg no sheet 1 of 1 size                            |  |         |  |  |  |
| AE J09-0363 M.Y 2009-10-8 |  |  |  | enrg M.YAMASHITA 2009-10-8                         |  |            |  | JSA 95861   |  | A4      |  |  |  |
|                           |  |  |  | chr S. Watanabe 2009-10-8                          |  |            |  | type Product Customer Drawing                       |  |         |  |  |  |
| sheet index               |  |  |  | revision AE  |  |            |  |   |  | Rev. AE |  |  |  |
| sheet 1                   |  |  |  |  |  |            |  |   |  |         |  |  |  |

SC\_SFW11 JSA95860 form: A4



| PT. NO. | PARTS NAME     | MATERIAL                                | Q'TY | NOTE          |
|---------|----------------|---|------|---------------|
| 1       | HOUSING        | PPS RESIN GLASS<br>REINFORCED (UL94V-0) | 1    | COLOR : BLACK |
| 2       | SLIDER         |   | 1    | COLOR : BROWN |
| 3       | CONTACT        | PHOSPHOR BRONZE                         | n    | PLATING : TIN |
| 4       | MOUNTING PLATE |   | 2    |               |

n : NO. OF CONTACTS

RECOMMENDED PC BOARD LAYOUT  
(COMPONENT SIDE)

BASIC PATTERN

NO.1 CONTACT  
POSITION



NOTES

1. THIS PRODUCT IS THE CONNECTOR USED FOR FPC/FFC AND COPES WITH AUTOMATIC MOUNTING (SMT).
2. FLATNESS FOR CONTACT TERMINAL HOUSING MUST BE WITHIN TOLERANCE IN Z PORTION DETAILED DRAWING.
3. THIS PRODUCT IS UPPER CONTACT TYPE CONNECTOR WITH CABLE LOCK MECHANISM.
4. THIS PRODUCT MEETS EUROPEAN UNION DIRECTIVES AND OTHER COUNTRY REGULATIONS AS DESCRIBED IN GS-22-008

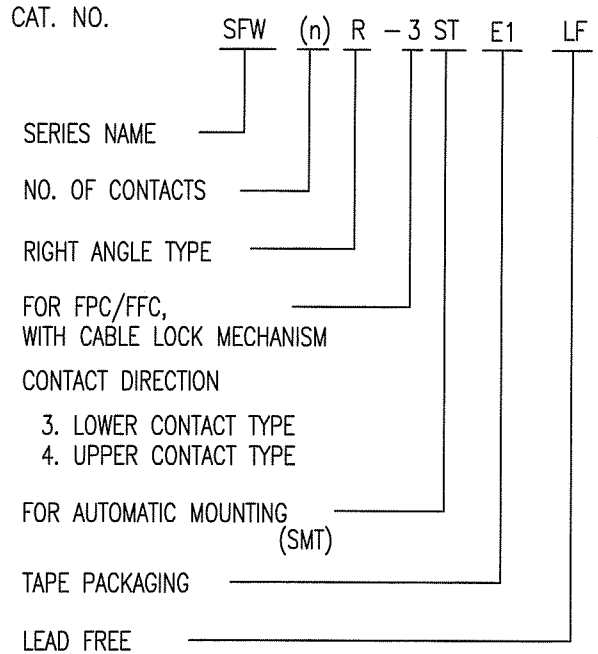
5. THE HOUSING WILL WITHSTAND EXPOSURE TO 260°C PEAK TEMPERATURE FOR 10 SECONDS IN A REFLOW SOLDERING OVEN.

|             |                |     |           |                                       |            |                              |           |            |     |  |           |         |                          |      |
|-------------|----------------|-----|-----------|---------------------------------------|------------|------------------------------|-----------|------------|-----|--|-----------|---------|--------------------------|------|
| mat'l. code |                |     |           | surface 58 / ISO 1302                 |            | tolerance ISO 406 / ISO 1101 |           | projection |     | product family 58RF                                    |           | CODE JP |                          |      |
| ltr         | ecn no         | dr  | date      | tolerances unless otherwise specified |            |                              |           | mm         |     | title  |           |         |                          |      |
| AA          | J04-0180       | H.T | 7/2/'04   | angles linear ±0.2                    |            |                              |           | mm         |     | 1mm SPACING SMT CONNECTOR<br>(Cat. No. SFW__R-4ST__LF) |           |         |                          |      |
| AC          | J05-0736       | H.T | 10/28/'05 |                                       |            |                              |           | scale X    |     |  |           |         |                          |      |
| AD          | J06-0398       | H.T | 9/26/'06  | dr                                    | M.YAMASITA |                              | 2007-10-8 |            | FCJ |  | dwg no    |         | sheet 1 of 1             | size |
| AE          | J09-0363       | M.Y | 2009-10-8 | enr                                   | M.YAMASITA |                              | 2007-10-8 |            |     |  | JSA 95862 |         | A4                       |      |
|             |                |     |           | chr                                   | S. Nishida |                              | 2007-10-8 |            |     |  | type      |         | Product Customer Drawing |      |
| sheet index | revision sheet | AE  | 1         |                                       |            |                              |           |            |     |  |           | Rev. AE |                          |      |

SC\_SFW11 JSA95860  
form: A4

CAT. NO. & DIMENSIONS

| NO. OF CONTACTS (n) | CAT. NO. (NOTE2)  | DIMENSIONS (NOTE3) |         |         |
|---------------------|-------------------|--------------------|---------|---------|
|                     |                   | E ± 5              | F ± 0.3 | G ± 0.1 |
| 4                   | SFW4R-3/4STE1 LF  | 20.4               | 16      | —       |
| 5                   | SFW5R-3/4STE1 LF  | 28.4               | 24      | —       |
| 6                   | SFW6R-3/4STE1 LF  | 28.4               | 24      | —       |
| 7                   | SFW7R-3/4STE1 LF  | 28.4               | 24      | —       |
| 8                   | SFW8R-3/4STE1 LF  | 28.4               | 24      | —       |
| 9                   | SFW9R-3/4STE1 LF  | 28.4               | 24      | —       |
| 10                  | SFW10R-3/4STE1 LF | 28.4               | 24      | —       |
| 11                  | SFW11R-3/4STE1 LF | 28.4               | 24      | —       |
| 12                  | SFW12R-3/4STE1 LF | 28.4               | 24      | —       |
| 13                  | SFW13R-3/4STE1 LF | 36.4               | 32      | 28.4    |
| 14                  | SFW14R-3/4STE1 LF | 36.4               | 32      | 28.4    |
| 15                  | SFW15R-3/4STE1 LF | 36.4               | 32      | 28.4    |
| 16                  | SFW16R-3/4STE1 LF | 36.4               | 32      | 28.4    |
| 17                  | SFW17R-3/4STE1 LF | 48.4               | 44      | 40.4    |
| 18                  | SFW18R-3/4STE1 LF | 48.4               | 44      | 40.4    |
| 19                  | SFW19R-3/4STE1 LF | 48.4               | 44      | 40.4    |
| 20                  | SFW20R-3/4STE1 LF | 48.4               | 44      | 40.4    |
| 21                  | SFW21R-3/4STE1 LF | 48.4               | 44      | 40.4    |
| 22                  | SFW22R-3/4STE1 LF | 48.4               | 44      | 40.4    |
| 23                  | SFW23R-3/4STE1 LF | 48.4               | 44      | 40.4    |
| 24                  | SFW24R-3/4STE1 LF | 48.4               | 44      | 40.4    |
| 25                  | SFW25R-3/4STE1 LF | 48.4               | 44      | 40.4    |
| 26                  | SFW26R-3/4STE1 LF | 48.4               | 44      | 40.4    |
| 27                  | SFW27R-3/4STE1 LF | 48.4               | 44      | 40.4    |
| 28                  | SFW28R-3/4STE1 LF | 60.4               | 56      | 52.4    |
| 29                  | SFW29R-3/4STE1 LF | 60.4               | 56      | 52.4    |
| 30                  | SFW30R-3/4STE1 LF | 60.4               | 56      | 52.4    |



NOTES

1. THIS PRODUCT IS THE CONNECTOR USED FOR FPC/FFC AND COPES WITH AUTOMATIC MOUNTING (SMT).
2. THIS CATALOG NO. INDICATES PLASTIC TAPE PACKAGED CONNECTOR.
3. SEE PART DRAWINGS FOR DIMENSIONS E~G.
4. THIS PRODUCT IS THE CONNECTOR WITH CABLE LOCK MECHANISM.

|             |  |                |  |  |  |                       |  |                                       |  |  |  |
|-------------|--|----------------|--|--|--|-----------------------|--|---------------------------------------|--|--|--|
| mat'l. code |  |                |  | surface 58 / tolerance ISO 1302 / ISO 406 / ISO 1101 |  | projection            |  | product family 58RF                   |  | CODE JP  |  |
| ltr         |  | ecn no         |  | dr   |  | date                  |  | tolerances unless otherwise specified |  | title  |  |
| AA          |  | J05-0055       |  | H.T  |  | 2/4/05                |  | angles linear                         |  | CAT NO. TABLE FOR PLASTIC TAPE PACKAGED 1mm SPACING SMT CONNECTOR (Cat. No. SFW__R-3/4STE1 LF) |  |
| AB          |  | J06-0398       |  | H.T  |  | 9/26/06               |  | mm                                    |  | scale X  |  |
| AC          |  | J09-0363       |  | M.Y  |  | 2009-10-8             |  | scale X                               |  | dwg no sheet 1 of 1 size   |  |
|             |  |                |  | dr   |  | M.YAMASHITA 2009-10-8 |  | FCJ                                   |  | JSA 95863 A4   |  |
|             |  |                |  | enr  |  | M.YAMASHITA 2009-10-8 |  |                                       |  | type Product Customer Drawing  |  |
|             |  |                |  | chr  |  | S. Nishida 2009-10-8  |  |                                       |  |  |  |
|             |  |                |  | appd   |  | S. Ando 2009-10-8     |  |                                       |  |  |  |
| sheet index |  | revision sheet |  | AC   |  | 1                     |  |                                       |  | Rev. AC  |  |

SC\_SFW11 JSA95860 95864 95865 form: A4



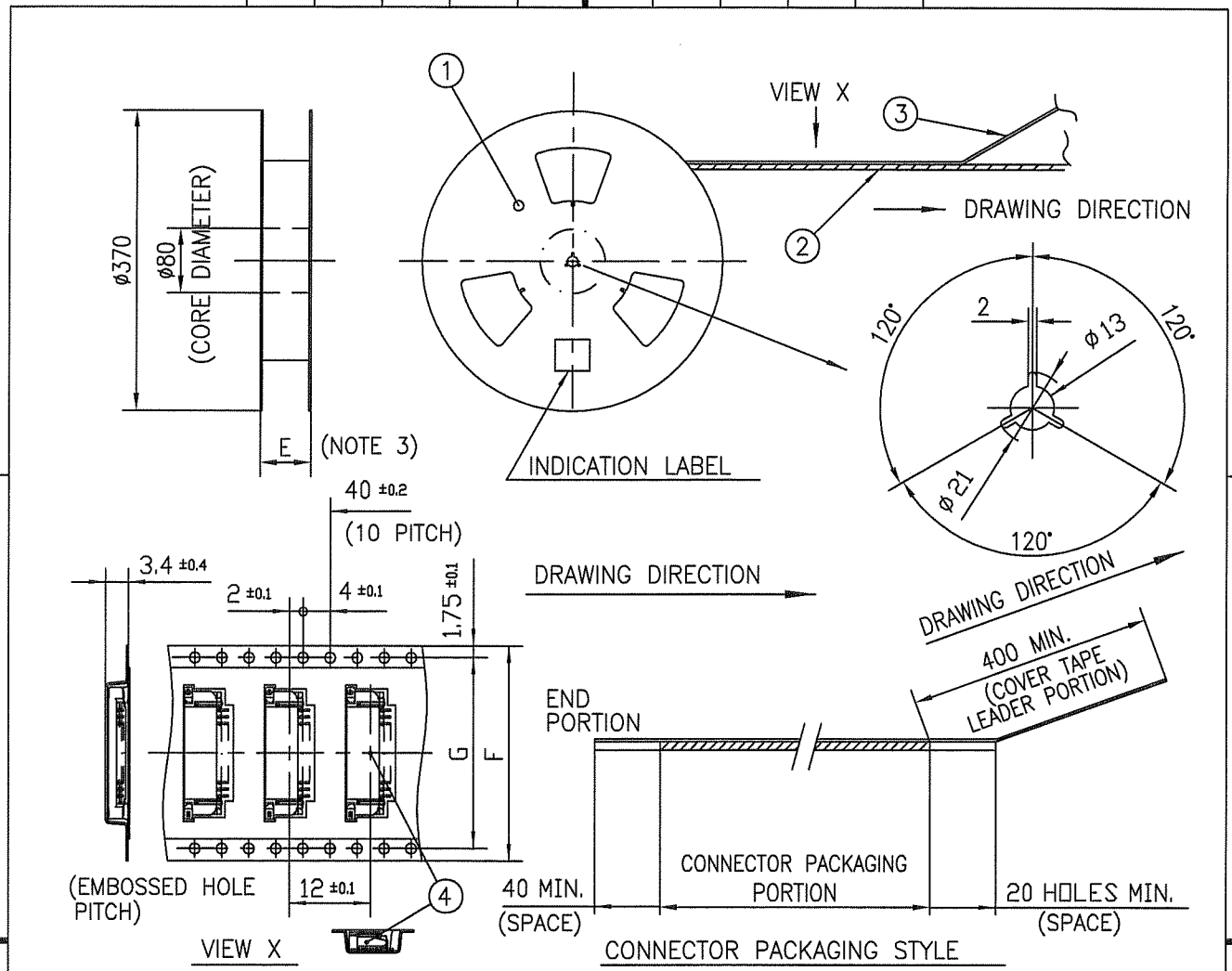
| PT. NO. | PARTS NAME            | CAT. NO.      | MATERIAL          | Q'TY  | NOTE               |
|---------|-----------------------|---------------|-------------------|-------|--------------------|
| 1       | REEL                  | _____         | CARDBOARD         | 1     | COLOR:WHITE        |
| 2       | PLASTIC (EMBOSS) TAPE | _____         | PET               | _____ | COLOR:TRANSPARENCY |
| 3       | COVER                 | _____         | POLYESTER         | _____ | COLOR:TRANSPARENCY |
| 4       | CONNECTOR             | SFW__R-3ST_LF | SEE ATTACHED DWG. | 2000  | LOWER CONTACT TYPE |

NOTES

1. THIS IS PLASTIC TAPE PACKAGED CONNECTOR WITH CABLE LOCK MECHANISM USED FOR FPC/FFC AND COPES WITH AUTOMATIC MOUNTING (SMT).
2. SEE JIS C 0806 (PACKING OF ELECTRONIC COMPONENTS ON CONTINUOUS TAPES (SURFACE MOUNTING DEVICES)) FOR SHAPE AND DIMENSIONS OF PLASTIC (EMBOSS) TAPE AND REEL.
3. E DIMENSION IS PORTION OF THE CORE.

|                           |  |                                       |  |                            |  |            |  |  |  |                   |  |
|---------------------------|--|---------------------------------------|--|----------------------------|--|------------|--|--|--|-------------------|--|
| mat'l. code               |  | surface ISO 1302                      |  | tolerance ISO 406 ISO 1101 |  | projection |  | product family 58RF  |  | CODE JP           |  |
| ltr ecn no dr date        |  | tolerances unless otherwise specified |  | angles linear              |  | mm         |  | title  |  |                   |  |
| AA J05-0055 H.T 2/4/'05   |  | ±5                                    |  |                            |  | scale X    |  | PLASTIC TAPE PACKAGED 1mm SPACING SMT CONNECTOR (Cat. No. SFW__R-3STE1 LF) |  |                   |  |
| AB J06-0398 H.T 9/26/'06  |  | ±5'                                   |  |                            |  | FCJ        |  | dwg no   |  | sheet 1 of 1 size |  |
| AC J09-0363 M.Y 2009-10-8 |  | dr H.YAMAGUCHI 2009-10-8              |  | enr H.YAMAGUCHI 2009-10-8  |  |            |  | JSA 95864  |  | A4                |  |
|                           |  | chr S. W. H. L. 2009-10-8             |  | appd S. Cholan 2009-10-8   |  |            |  | type Product Customer Drawing  |  |                   |  |
| sheet index               |  | revision AC                           |  | sheet 1                    |  |            |  |  |  | Rev. AC           |  |

SC\_SFW11 JSA95863 form: A4



| PT. NO. | PARTS NAME            | CAT. NO.     | MATERIAL          | Q'TY | NOTE               |
|---------|-----------------------|--------------|-------------------|------|--------------------|
| 1       | REEL                  | —            | CARDBOARD         | 1    | COLOR:WHITE        |
| 2       | PLASTIC (EMBOSS) TAPE | —            | PET               | —    | COLOR:TRANSPARENCY |
| 3       | COVER                 | —            | POLYESTER         | —    | COLOR:TRANSPARENCY |
| 4       | CONNECTOR             | SFW_R-4ST_LF | SEE ATTACHED DWG. | 2000 | UPPER CONTACT TYPE |

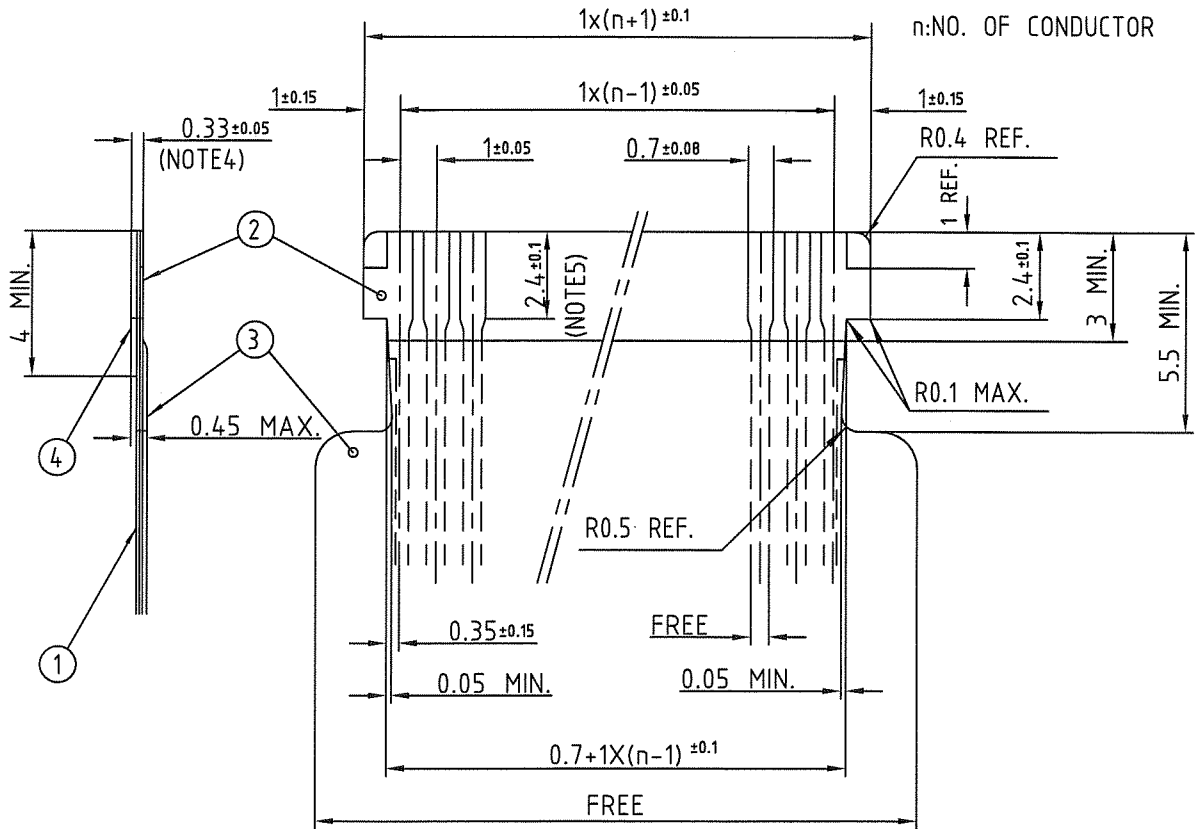
NOTES

1. THIS IS PLASTIC TAPE PACKAGED CONNECTOR WITH CABLE LOCK MECHANISM USED FOR FPC/FFC AND COPEs WITH AUTOMATIC MOUNTING (SMT).
2. SEE JIS C 0806 (PACKING OF ELECTRONIC COMPONENTS ON CONTINUOUS TAPES (SURFACE MOUNTING DEVICES)) FOR SHAPE AND DIMENSIONS OF PLASTIC (EMBOSS) TAPE AND REEL.
3. E DIMENSION IS PORTION OF THE CORE.

|             |                |                    |           |                                       |             |            |  |   |                               |         |  |         |
|-------------|----------------|--------------------|-----------|---------------------------------------|-------------|------------|--|---|-------------------------------|---------|--|---------|
| mat'l. code |                | surface ISO 1302 ✓ |           | tolerance ISO 406 ISO 1101            |             | projection |  | product family 58RF   |                               | CODE JP |  |         |
| ltr         | ecn no         | dr                 | date      | tolerances unless otherwise specified |             | mm         |  | title   |                               |         |  |         |
| AA          | J05-0055       | H.T                | 2/4/'05   | ±5                                    |             | mm         |  | PLASTIC TAPE PACKAGED<br>1mm SPACING SMT CONNECTOR<br>(Cat. No. SFW_R-4STE1 LF) |                               |         |  |         |
| AB          | J06-0398       | H.T                | 9/26/'06  | angles                                | linear      | scale X    |  | dwg no sheet 1 of 1 size  |                               |         |  |         |
| AC          | J09-0363       | M.Y                | 2009-10-8 | ±5'                                   |             | X          |  | JSA 95865 A4  |                               |         |  |         |
|             |                |                    |           | dr                                    | M.YAMASHITA | 2009-10-8  |  |   | type Product Customer Drawing |         |  |         |
|             |                |                    |           | enr                                   | M.YAMASHITA | 2009-10-8  |  |   |                               |         |  |         |
|             |                |                    |           | chr                                   | S. Kishida  | 2009-10-8  |  |   |                               |         |  |         |
|             |                |                    |           | appd                                  | S. Gudam    | 2009-10-8  |  |   |                               |         |  |         |
| sheet index | revision sheet | AC                 | 1         |                                       |             |            |  |   |                               |         |  | Rev. AC |

FCJ  
 FCconnect.com  
 Copyright FCI.

RECOMMENDED CABLE (FPC)



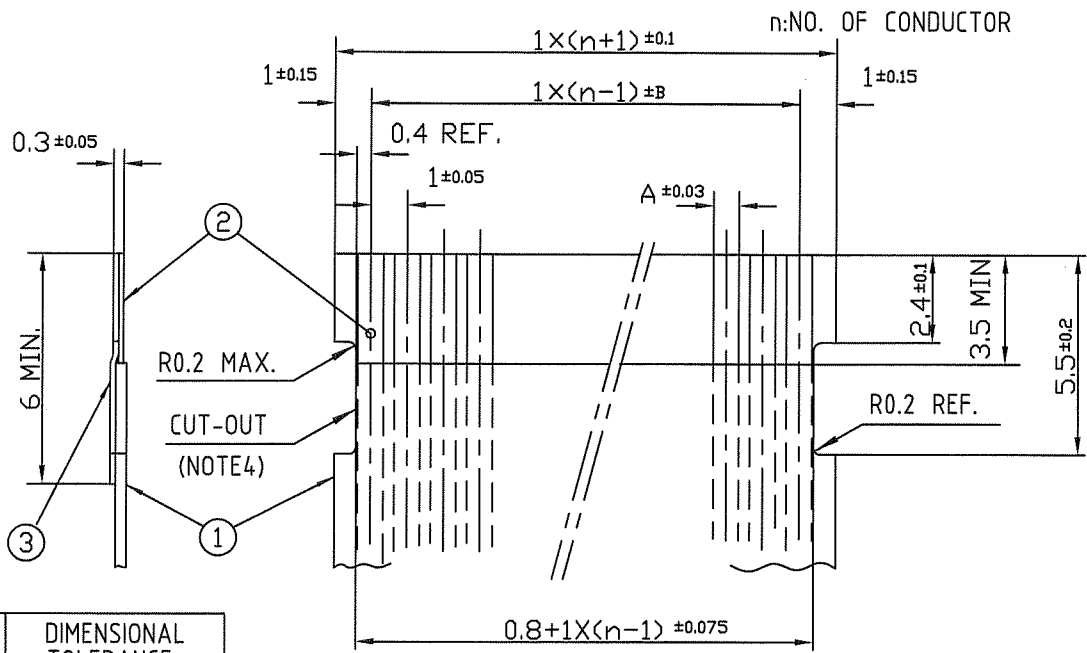
| PT. NO. | PARTS NAME      | MATERIAL                               | THICKNESS (um) |
|---------|-----------------|--|----------------|
| 1       | BASE FILM       | POLYIMIDE OR POLYESTER OR EQUAL        | 25             |
| 2       | CONDUCTOR       | COPPER FOIL(PLATING : SOLDER 1um MIN.) | 35             |
| 3       | OVERLAY         | POLYIMIDE OR POLYESTER OR EQUAL        | —              |
| 4       | SUPPORTING TAPE | POLYESTER OR POLYIMIDE OR EQUAL        | 188            |

- NOTES
1. THIS DRAWING INDICATES THE FPC USED THE CONNECTOR WITH CABLE LOCK MECHANISM.
  2. NO BURR AT EACH PORTION.
  3. NO PEELING IN COMMON USE.
  4. TOTAL THICKNESS LIMIT OF EACH MATERIAL (INCLUDING ADHESIVE AGENT) IS SPECIFIED.
  5. THIS DIMENSION INDICATES THE RANGE FOR 0.7 ± 0.08 CONDUCTOR WIDTH.

|                           |  |             |  |  |  |            |  |   |  |         |  |
|---------------------------|--|-------------|--|--|--|------------|--|---|--|---------|--|
| mat'l. code               |  |             |  | surface 58 / tolerance ISO 1302 / ISO 406 / ISO 1101 |  | projection |  | product family 58RF                     |  | CODE JP |  |
| ltr ecn no dr date        |  |             |  | tolerances unless otherwise specified                |  | mm         |  | title                                   |  |         |  |
| 1 — — 9/10/'98            |  |             |  | angles linear  |  | mm         |  | RECOMMENDED CABLE (Cat. No. SFW_R-3/4_) |  |         |  |
| AA J05-0055 H.T 2/4/'05   |  |             |  |  |  | scale X    |  | dwg no sheet 1 of 1 size                |  |         |  |
| AB J06-0398 H.T 9/26/'06  |  |             |  |  |  | FCJ        |  | JSA 93212 A4                            |  |         |  |
| AC J09-0363 M.Y 2009-10-8 |  |             |  | dr HYAMASHITA 2009-10-8                              |  |            |  | type Product Customer Drawing           |  |         |  |
|                           |  |             |  | enrg HYAMASHITA 2009-10-8                            |  |            |  |   |  |         |  |
|                           |  |             |  | chr S. W. 2009-10-8                                  |  |            |  |   |  |         |  |
|                           |  |             |  | appd S. O. 2009-10-8                                 |  |            |  |   |  |         |  |
| sheet index               |  | revision AC |  |  |  |            |  |   |  | Rev. AC |  |
|                           |  | sheet 1     |  |  |  |            |  |   |  |         |  |



RECOMMENDED CABLE (FFC)



| KIND OF FFC (NOTES) | DIMENSIONAL TOLERANCE |      |
|---------------------|-----------------------|------|
|                     | A                     | B    |
| 1                   | 0.7                   | 0.1  |
| 2                   | 0.6                   | 0.07 |

| PT. NO. | PARTS NAME      | MATERIAL                           | NOTE                               |
|---------|-----------------|------------------------------------|------------------------------------|
| 1       | INSULATOR       | FLAME RESISTING POLYESTER OR EQUAL | _____                              |
| 2       | CONDUCTOR       | COPPER FOIL                        | PLATING: TIN OR SOLDER<br>1um MIN. |
| 3       | SUPPORTING TAPE | FLAME RESISTING POLYESTER OR EQUAL | _____                              |

- NOTES
1. THIS DRAWING INDICATES THE FFC USED THE CONNECTOR WITH CABLE LOCK MECHANISM.
  2. NO BURR AT EACH PORTION.
  3. NO PEELING IN COMMON USE.
  4. THERE IS A POSSIBILITY THAT THE CAT-OUT CROSSES THE CONDUCTOR BECAUSE OF DIMENSIONAL TOLERANCE.
  5. EITHER KIND1 OR KIND2 OF FFC CAN ACCEPT DIMENSIONAL TOLERANCE a AND b.

|                           |  |  |  |            |  |                               |  |                   |  |
|---------------------------|--|--|--|------------|--|-------------------------------|--|-------------------|--|
| mat'l. code               |  | surface 58 / tolerance ISO 1302 / ISO 406 / ISO 1101 |  | projection |  | product family 58RF           |  | CODE JP           |  |
| ltr ecn no dr date        |  | tolerances unless otherwise specified                |  | mm         |  | title                         |  |                   |  |
| AA J05-0055 H.T 2/4/'05   |  | angles linear  |  | mm         |  | RECOMMENDED CABLE             |  |                   |  |
| AB J06-0398 H.T 9/26/'06  |  |  |  |            |  | (Cat. No. SFW_R-3/4_)         |  |                   |  |
| AC J09-0363 M.Y 2009-10-8 |  |  |  | scale X    |  | dwg no                        |  | sheet 1 of 1 size |  |
|                           |  | dr H. YAMASHITA 2009-10-8                            |  | FCJ        |  | JSA 93213                     |  | A4                |  |
|                           |  | enr H. YAMASHITA 2009-10-8                           |  |            |  | type Product Customer Drawing |  |                   |  |
|                           |  | chr S. W. T. L. 2009-10-8                            |  |            |  |                               |  |                   |  |
|                           |  | appd S. Anderson 2009-10-8                           |  |            |  |                               |  |                   |  |
| sheet index               |  | revision sheet                                       |  | AC 1       |  |                               |  | Rev. AC           |  |