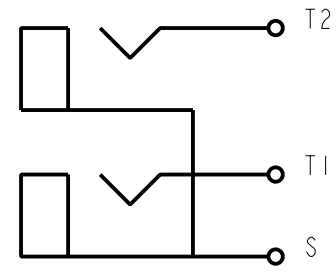
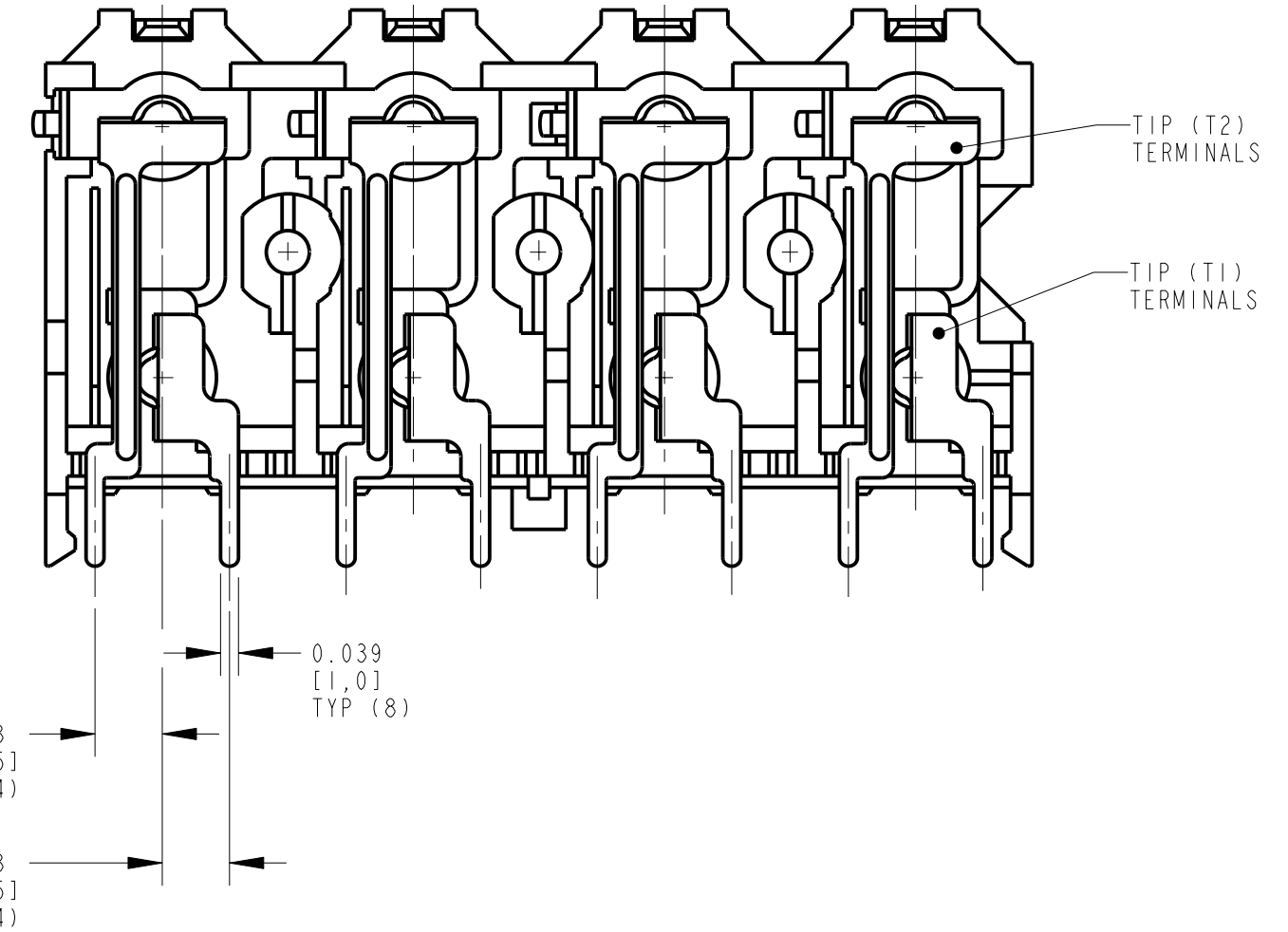
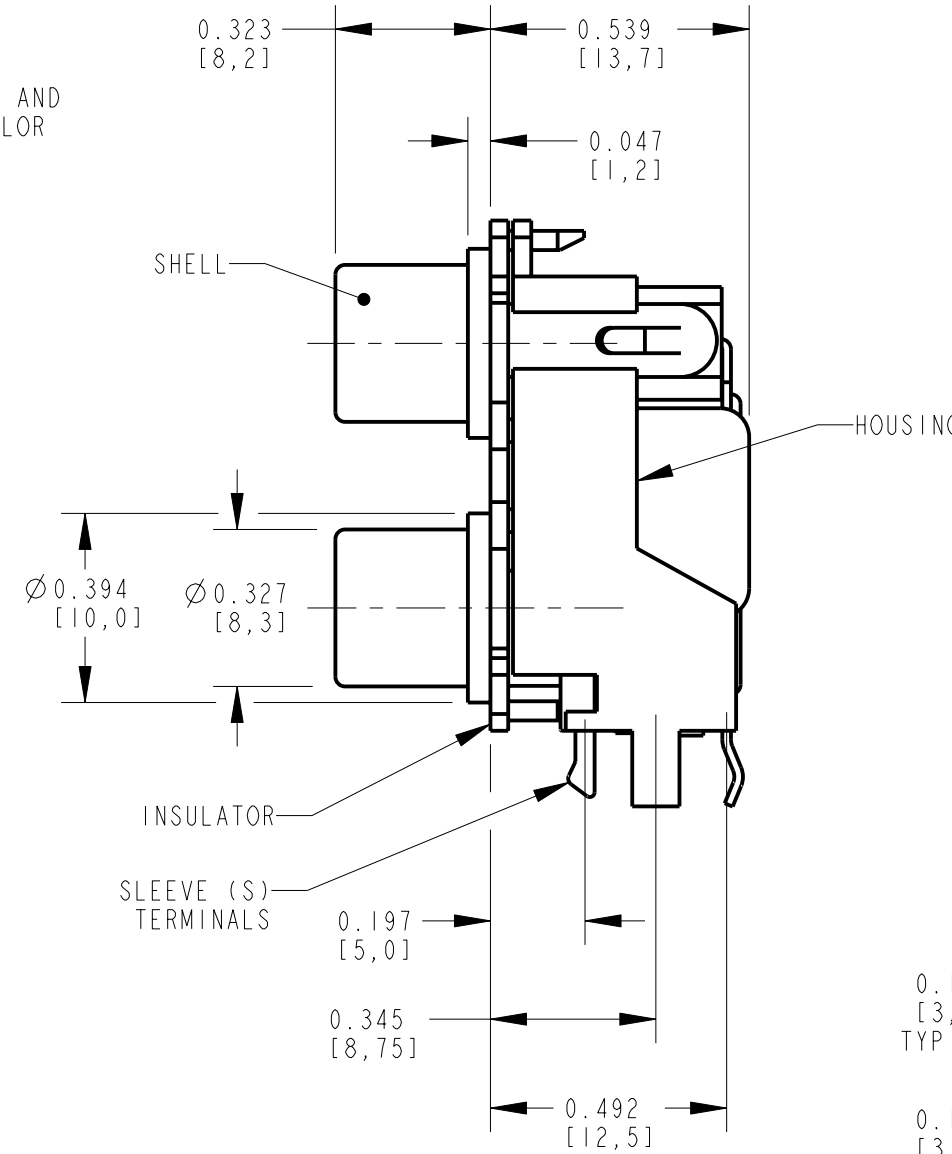
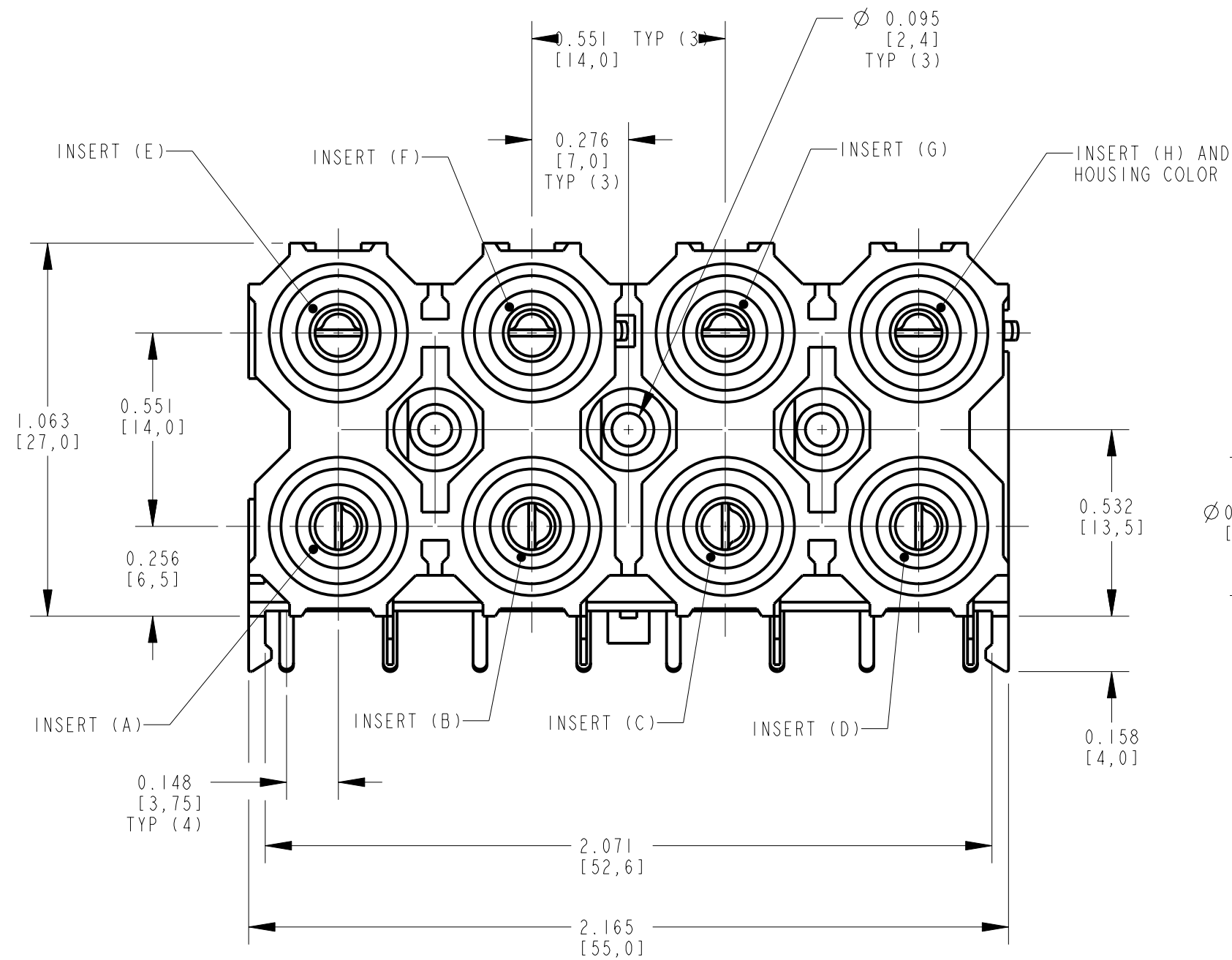
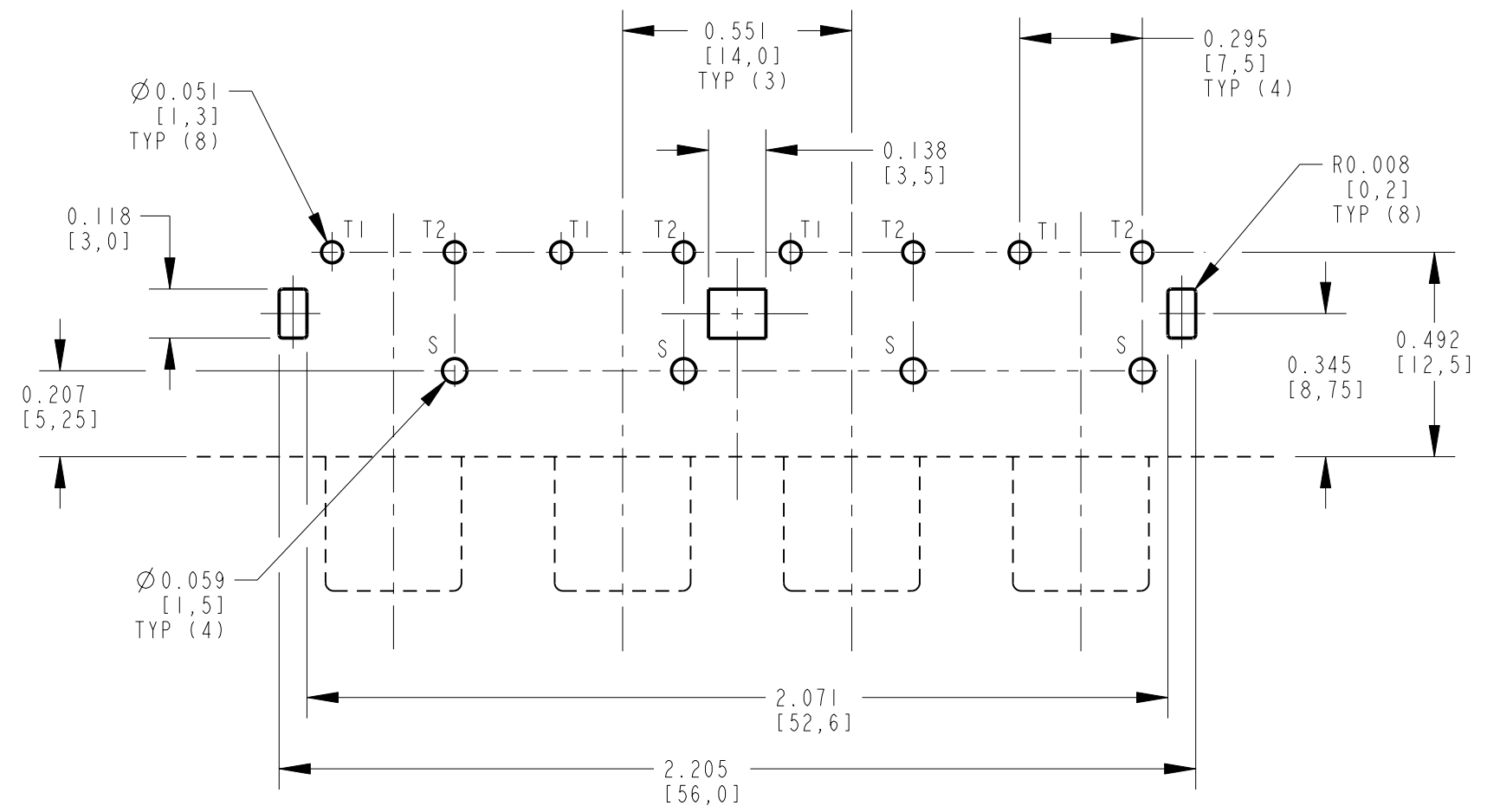


**NOTES:**

- ALL DIMENSIONS ARE REFERENCE.
- MATERIALS:  
 HOUSING: ABS, UL-94HB  
 COLOR INSERT: ABS, UL-94HB  
 INSULATOR: ABS, UL-94HB  
 SHELL & SLEEVE TERMINALS: COPPER ALLOY, NICKEL OR GOLD PLATED  
 TIP TERMINALS: COPPER ALLOY, TIN PLATED
- THIS PART IS RoHS COMPLIANT



SCHMATIC  
TYP (4) JACKS



PART NUMBER	INSERT COLOR	INSERT COLOR	INSERT COLOR	INSERT COLOR	SHELL AND SLEEVE TERMINAL FINISH
	E	F	G	H	
PJRS4X2U01X	WHITE	WHITE	WHITE	WHITE	NICKEL PLATED
	RED	RED	RED	RED	
PJRS4X2U01AUX	WHITE	WHITE	WHITE	WHITE	GOLD PLATED
	RED	RED	RED	RED	
PJRS4X2U88X	GREEN	BLUE	RED	YELLOW	NICKEL PLATED
	GREEN	BLUE	RED	YELLOW	

CUSTOMER DRAWING

<p>★ STAR SYMBOL DENOTES CRITICAL DIMENSION</p> <p>UNLESS OTHERWISE SPECIFIED</p> <p>1. ALL DIMENSIONS IN INCHES                  - TWO PLACE DECIMALS ±0.01                  - THREE PLACE DECIMALS ±0.005                  - ANGLES ±1°                  - ALL DIA. CONCENTRIC WITHIN 0.005 T.I.R.</p> <p>2. FEATURES ON THE SAME CENTERLINE MUST BE ALIGNED WITHIN ±0.002</p> <p>3. REMOVE ALL BURRS</p>				<p>THIS DRAWING DESCRIBES A DESIGN CONSIDERED PROPRIETARY IN NATURE, DEVELOPED AND MANUFACTURED BY SWITCHCRAFT INC. AND IS RELEASED ON A CONFIDENTIAL BASIS FOR IDENTIFICATION PURPOSES ONLY.</p>							
SIZE		WIDTH		MULT		LBS/M		TEMPER			
FINISH SPEC No.				MATERIAL SPEC No.							
FIRST USED ON				SCALE 5:2							
DATE DRAWN	BY	CHKD	APVD								
12-Jan-06	JL	01-12-06	01-12-06								
NAME PHONO JACK, RIGHT ANGLE, 8 POS. SCREW MOUNT, UNSHIELDED, RoHS				PART No. PJRS4X2U_X_SERIES				REV A			
REVISIONS				DO NOT SCALE DRAWING							