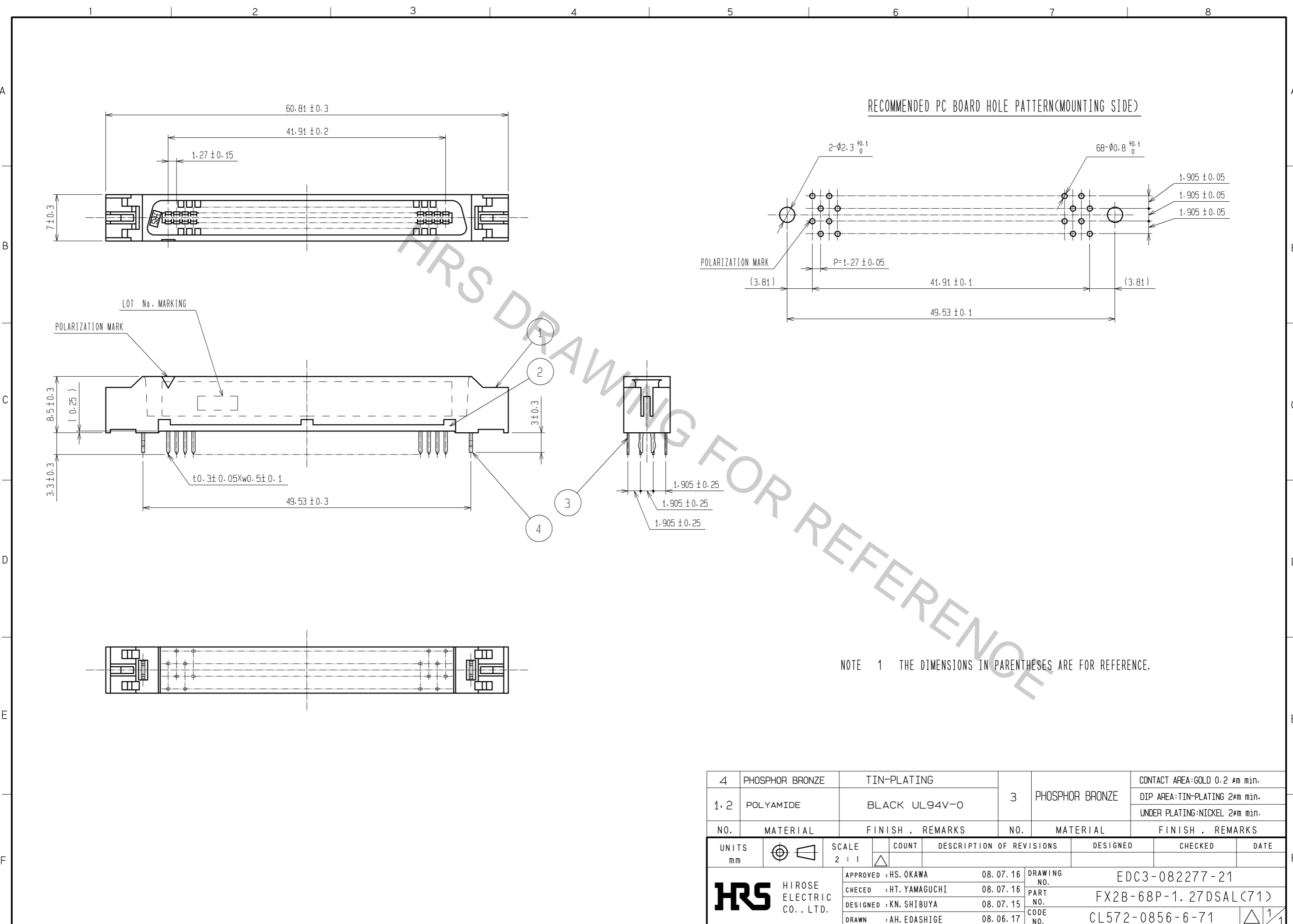


Apr.1.2017 Copyright 2017 HIROSE ELECTRIC CO., LTD. All Rights Reserved.



4	PHOSPHOR BRONZE	TIN-PLATING			CONTACT AREA:GOLD 0.2 μm min.			
1, 2	POLYAMIDE	BLACK UL94V-0	3	PHOSPHOR BRONZE	DIP AREA:TIN-PLATING 2μm min. UNDER PLATING:NICKEL 2μm min.			
NO.	MATERIAL	FINISH . REMARKS	NO.	MATERIAL	FINISH . REMARKS			
UNITS		SCALE	COUNT	DESCRIPTION OF REVISIONS		DESIGNED	CHECKED	DATE
mm		2 : 1						
HRS HIROSE ELECTRIC CO., LTD.		APPROVED : HS. OKAWA	08.07.16	DRAWING NO. EDC3-082277-21				
		CHECED : HT. YAMAGUCHI	08.07.16	PART NO. FX2B-68P-1. 27DSAL(71)				
		DESIGNED : KN. SHIBUYA	08.07.15	CODE NO. CL572-0856-6-71				
		DRAWN : AH. EDASHIGE	08.06.17					