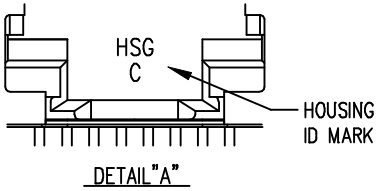


Stewart Connector

11118 Susquehanna Trail South
 Glen Rock, PA 17327-9199
 (717) 235-7512 Fax: (717) 235-7954

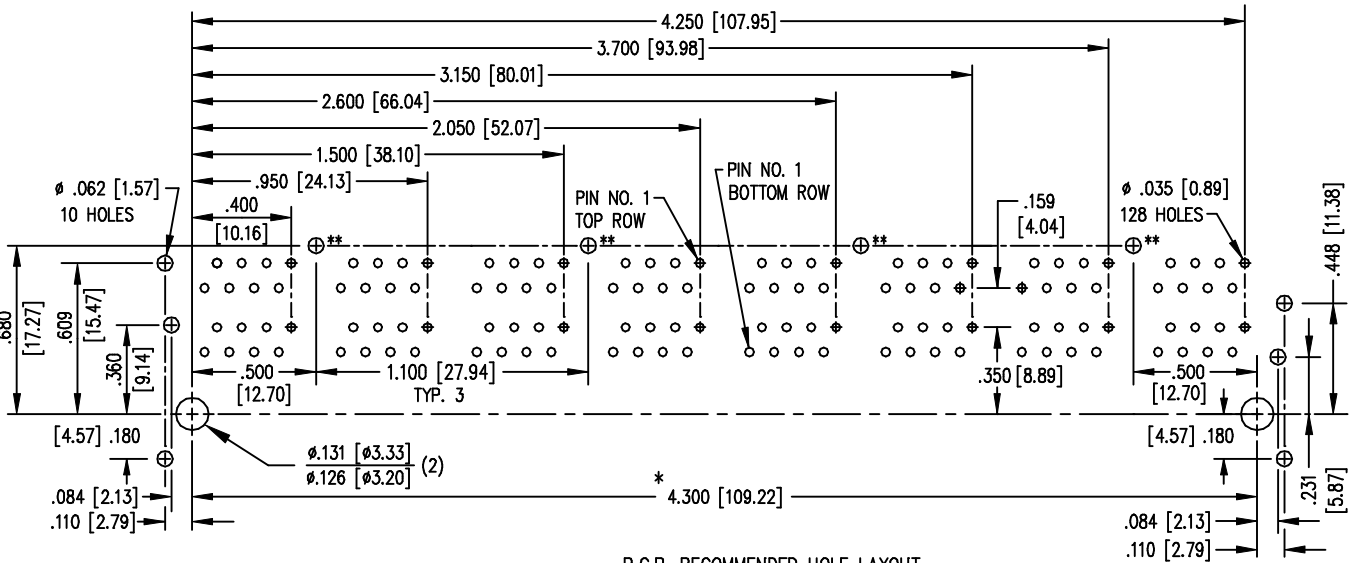
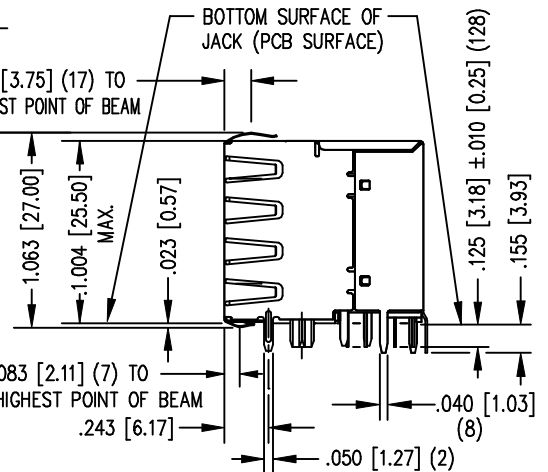
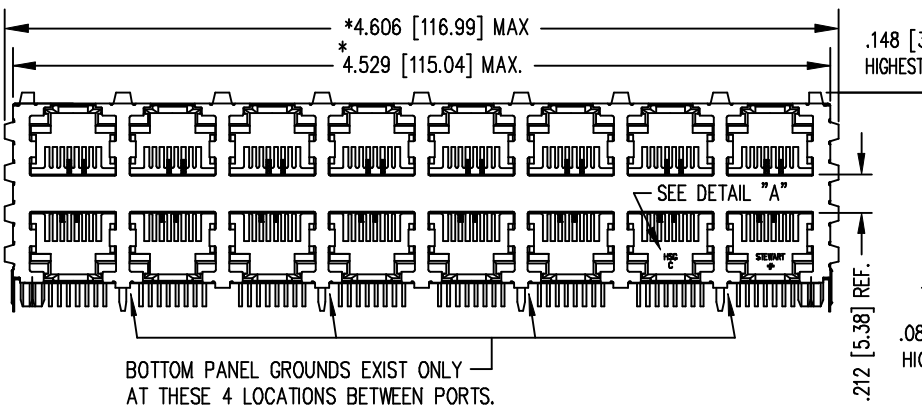
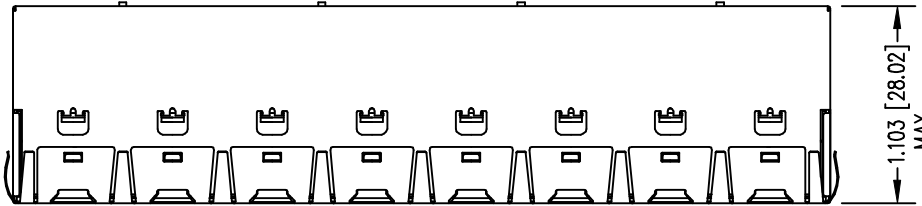
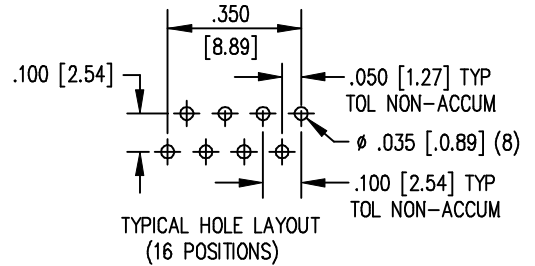
http://www.stewartconnector.com

REV.	REVISION CHANGES	ECN
D1	ADDED HOUSING MARK FOR CUSTOMER	3987
D2	DIMENSIONED MIDDLE SHIELD TAILS	5104
D3	UPDATED HSG PEG & SHIELD REAR SOLDER-TAIL ADDED PLATING NOTE	5357
E0	UPDATED SHIELD TO EMBOSS TAILS	5458



PART NO. SS-73100-047

HIGH PERFORMANCE SHIELDED STACK JACK
 ** REAR TAILS ON PORT CENTERS
 EIGHT CONTACT, EIGHT POSITION
 50 MICRO INCHES GOLD
 16 PORTS (8 ON 8)



- NOTES:
- TOLERANCES COMPLY WITH F.C.C. DIMENSION REQUIREMENTS.
 - DIMENSIONS SHOWN WITH "*" TO BE CENTRAL ABOUT CENTER LINE.
 - DIMENSIONS SHOWN ARE SUBJECT TO CHANGE WITHOUT NOTICE.
 - SHIELDS ARE NICKEL-PLATED.

P.C.B. RECOMMENDED HOLE LAYOUT
 SEEN FROM COMPONENT SIDE
 TOLERANCE ±.003 [0.08] UNLESS OTHERWISE SPECIFIED

SHEET 1 OF 2

CUSTOMER NAME: CISCO SYSTEMS

DRN BY: T. R. MECKLEY

DATE 4-13-99

ORIGINAL PROPOSAL DRAWING

CKD BY: L. K. ESPENSHADE

DATE 4-13-99

ENR NUMBER -

APPD BY: T. R. MECKLEY

DATE 4-13-99

PROJECT NO. -

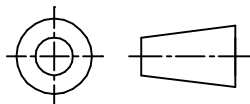
UNLESS OTHERWISE SPECIFIED
 TOLERANCES ARE ±.005 [±0.13]

DWG NO. CT730115

REV. E0

THIS DRAWING AND THE SUBJECT MATTER SHOWN THEREON ARE CONFIDENTIAL AND THE PROPRIETARY PROPERTY OF STEWART CONNECTOR ("SCS") AND SHALL NOT BE REPRODUCED, COPIED OR USED IN ANY MANNER WITHOUT PRIOR WRITTEN CONSENT OF "SCS". THE SUBJECT MATTER MAY BE PATENTED OR A PATENT MAY BE PENDING. © SCS

THIRD ANGLE PROJECTION



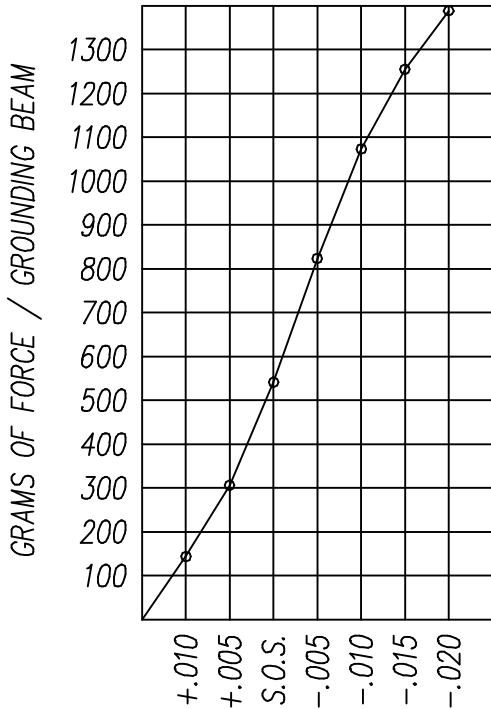
Stewart Connector

11118 Susquehanna Trail South
 Glen Rock, PA 17327-9199
 (717) 235-7512 Fax: (717) 235-7954

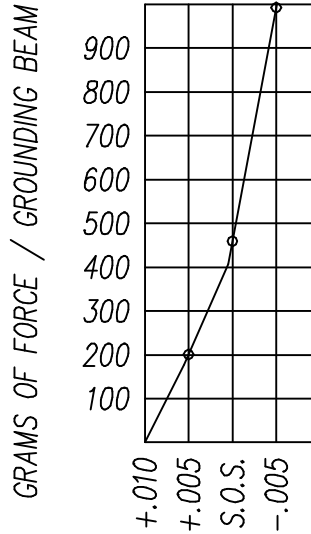
http://www.stewartconnector.com

REV.	REVISION CHANGES	ECN
D1	ADDED HOUSING MARK FOR CUSTOMER	3987
D2	DIMENSIONED MIDDLE SHIELD TAILS	5104
D3	UPDATED HSG PEG & SHIELD REAR SOLDER-TAIL ADDED PLATING NOTE	5357
E0	UPDATED SHIELD TO EMBOSS TAILS	5458

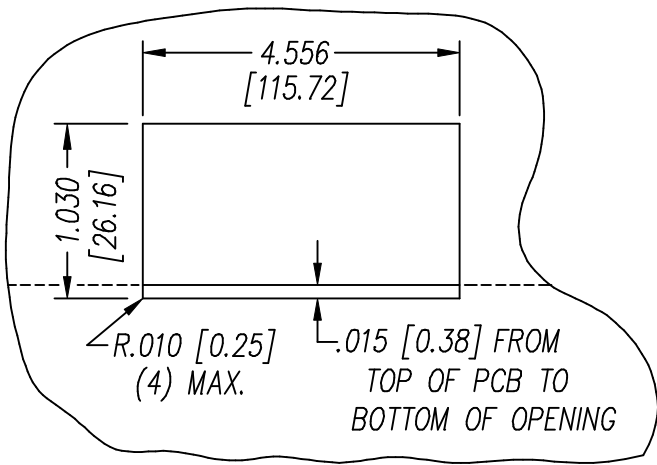
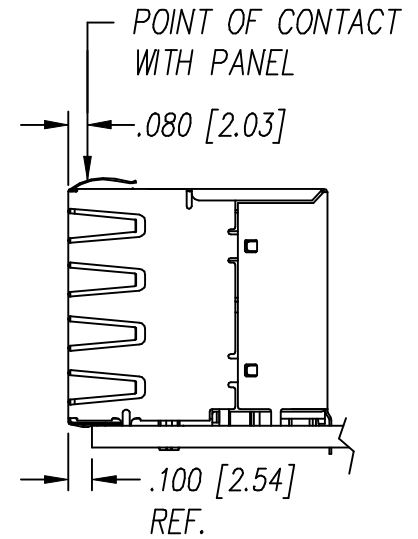
PART NO. SS-73100-047



PANEL GROUNDING BEAM DEFLECTION
 TOP AND SIDE BEAMS
 S.O.S. = SUGGESTED OPENING SIZE



PANEL GROUNDING BEAM DEFLECTION
 BOTTOM BEAMS ONLY
 S.O.S. = SUGGESTED OPENING SIZE



SUGGESTED PANEL OPENING
 (N.T.S.)

THE SUGGESTED PANEL OPENING IS INTENDED TO GIVE THE USER THE ABILITY TO HAVE REASONABLE JACK / PANEL CLEARANCES YET MAINTAIN RELIABLE GROUNDING CAPABILITY. THESE VARIABLES CAN BE ADJUSTED IN EITHER DIRECTION BUT MAY CARRY SOME CONSEQUENCES IN THE FORM OF LOWER MATING FORCES OR TIGHTER ASSEMBLY TOLERANCES. FORCE VALUES ON THE GRAPH(S) ARE GENERAL AVERAGES TAKEN AT A POINT OF CONTACT SHOWN ABOVE. THE SUGGESTED PANEL OPENING INCLUDES APPROXIMATELY .020 CLEARANCE ON THE TOP AND SIDES, WITH .015 CLEARANCE ON THE BOTTOM.

SHEET 2 OF 2

CUSTOMER NAME: (IF APPLICABLE) CISCO SYSTEMS		DRN BY: T. R. MECKLEY	DATE 4-13-99	ORIGINAL PROPOSAL DRAWING -
		CKD BY: L. K. ESPENSHADE	DATE 4-13-99	ENR NUMBER -
		APPD BY: T. R. MECKLEY	DATE 4-13-99	PROJECT NO. -
UNLESS OTHERWISE SPECIFIED TOLERANCES ARE ±.005 [±0.13]		DWG NO. CT730115	REV. E0	

THIS DRAWING AND THE SUBJECT MATTER SHOWN THEREON ARE CONFIDENTIAL AND THE PROPRIETARY PROPERTY OF STEWART CONNECTOR ("SCS") AND SHALL NOT BE REPRODUCED, COPIED OR USED IN ANY MANNER WITHOUT PRIOR WRITTEN CONSENT OF "SCS". THE SUBJECT MATTER MAY BE PATENTED OR A PATENT MAY BE PENDING. © SCS

THIRD ANGLE PROJECTION

