

Customer Information Sheet

DRAWING No.: R30-300XX02

SHEET 2 OF 2

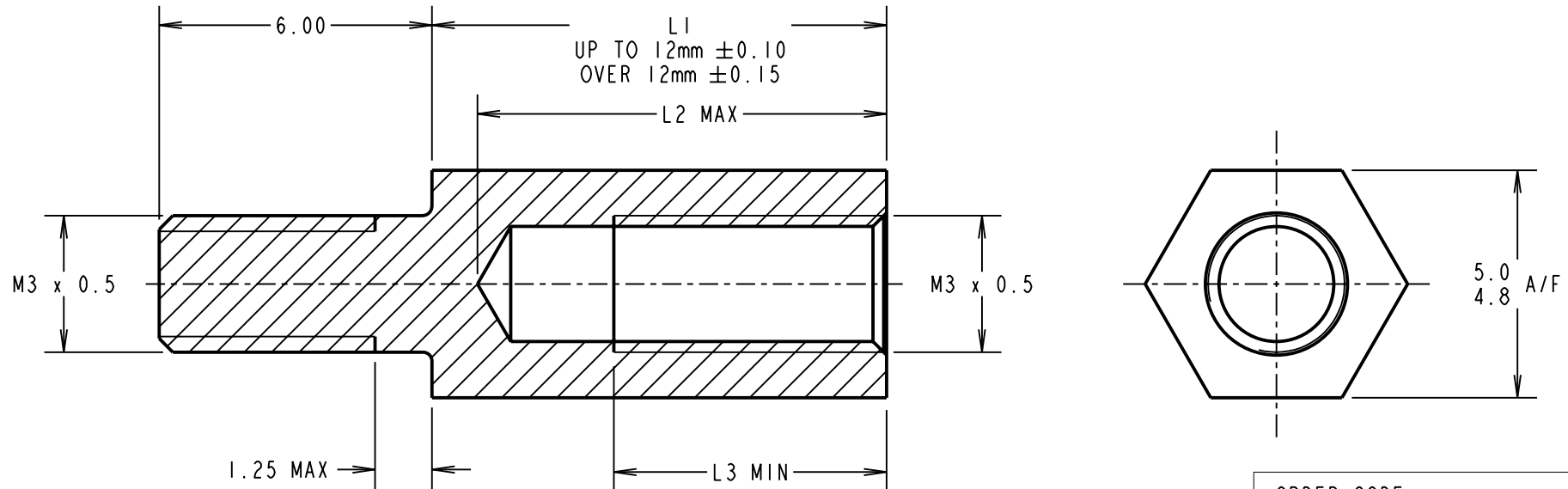
IF IN DOUBT - ASK

©

NOT TO SCALE

THIRD ANGLE PROJECTION

ALL DIMENSIONS IN mm



ORDER CODE:

R30-300XX02

LENGTH L1 IN mm

| PART No. | L1 | L2 | L3 |
|-------------|-------|------|------|
| R30-3000402 | 4.00 | 4.0 | 2.00 |
| R30-3000502 | 5.00 | 4.5 | 2.50 |
| R30-3000602 | 6.00 | 5.5 | 3.00 |
| R30-3000702 | 7.00 | 6.5 | 4.50 |
| R30-3000802 | 8.00 | 7.5 | 5.50 |
| R30-3000902 | 9.00 | 8.5 | 6.00 |
| R30-3001002 | 10.00 | 9.0 | 6.00 |
| R30-3001102 | 11.00 | 10.0 | 6.00 |
| R30-3001202 | 12.00 | 10.0 | 6.00 |
| R30-3001302 | 13.00 | 10.0 | 6.00 |
| R30-3001402 | 14.00 | 10.0 | 6.00 |

| PART No. | L1 | L2 | L3 |
|-------------|-------|------|------|
| R30-3001502 | 15.00 | 10.0 | 6.00 |
| R30-3001602 | 16.00 | 10.0 | 6.00 |
| R30-3001702 | 17.00 | 10.0 | 6.00 |
| R30-3001802 | 18.00 | 10.0 | 6.00 |
| R30-3001902 | 19.00 | 10.0 | 6.00 |
| R30-3002002 | 20.00 | 10.0 | 6.00 |
| R30-3002102 | 21.00 | 10.0 | 6.00 |
| R30-3002202 | 22.00 | 10.0 | 6.00 |
| R30-3002402 | 24.00 | 10.0 | 6.00 |
| R30-3002502 | 25.00 | 10.0 | 6.00 |
| R30-3002602 | 26.00 | 10.0 | 6.00 |

| PART No. | L1 | L2 | L3 |
|-------------|-------|------|------|
| R30-3003002 | 30.00 | 10.0 | 6.00 |
| R30-3003202 | 32.00 | 10.0 | 6.00 |
| R30-3003402 | 34.00 | 10.0 | 6.00 |
| R30-3003502 | 35.00 | 10.0 | 6.00 |
| R30-3003802 | 38.00 | 10.0 | 6.00 |
| R30-3004002 | 40.00 | 10.0 | 6.00 |
| R30-3004502 | 45.00 | 10.0 | 6.00 |
| R30-3005002 | 50.00 | 10.0 | 6.00 |
| R30-3006002 | 60.00 | 10.0 | 6.00 |
| R30-3008002 | 80.00 | 10.0 | 6.00 |

| | | | |
|----------------------|------|----------|--------|
| CP | 20 | 17.12.09 | 10614 |
| NAME | ISS. | DATE | C/NOTE |
| APPROVED: C. PENROSE | | | |
| CHECKED: R. ADDE | | | |
| DRAWN: P. COLLINS | | | |
| CUSTOMER REF.: | | | |
| ASSEMBLY DRG: | | | |

HARWIN

HARWIN USA
TEL: 603 893 5376
FAX: 603 893 5396
mis@harwin.com

HARWIN Europe (UK)
TEL: 023 9231 4545
FAX: 023 9231 4590
mis@harwin.co.uk

HARWIN Asia
TEL: +65 6 779 4909
FAX: +65 6 779 3868
mis@harwin.com.sg

THIS DRAWING AND ANY INFORMATION OR DESCRIPTIVE MATTER SET OUT HEREON ARE CONFIDENTIAL AND COPYRIGHT PROPERTY OF THE HARWIN GROUP AND MUST NOT BE DISCLOSED, LOANED, COPIED OR USED FOR MANUFACTURING, TENDERING OR FOR ANY OTHER PURPOSE WITHOUT THEIR WRITTEN PERMISSION.

TOLERANCES

X. = ±1mm
X.X = ±0.25mm
X.XX = ±0.10mm
X.XXX = ±0.01mm

ANGLES = ±5°
UNLESS STATED

MATERIAL:

BRASS CW614N M TO BS EN 12164 (CuZn39Pb3)

FINISH: NICKEL

S/AREA: mm²

TITLE:

M3 HEXAGONAL MALE/FEMALE SPACER

DRAWING NUMBER:

R30-300XX02

SHT
2 OF 2