

All dimensions are in mm; tolerances according to ISO 2768 m-H

Interface

According to

15K101-40M
IEC 60169-15

Suitable cables

RTK 013, cable group H1

Micro coax cable $d=1.37\text{mm}$, center conductor AWG30
Connector are only sold with cable
Minimum bending radius single $4x \varnothing 5.5 \text{ mm}$
Minimum bending radius repeated $8x \varnothing 11 \text{ mm}$

Available Variants

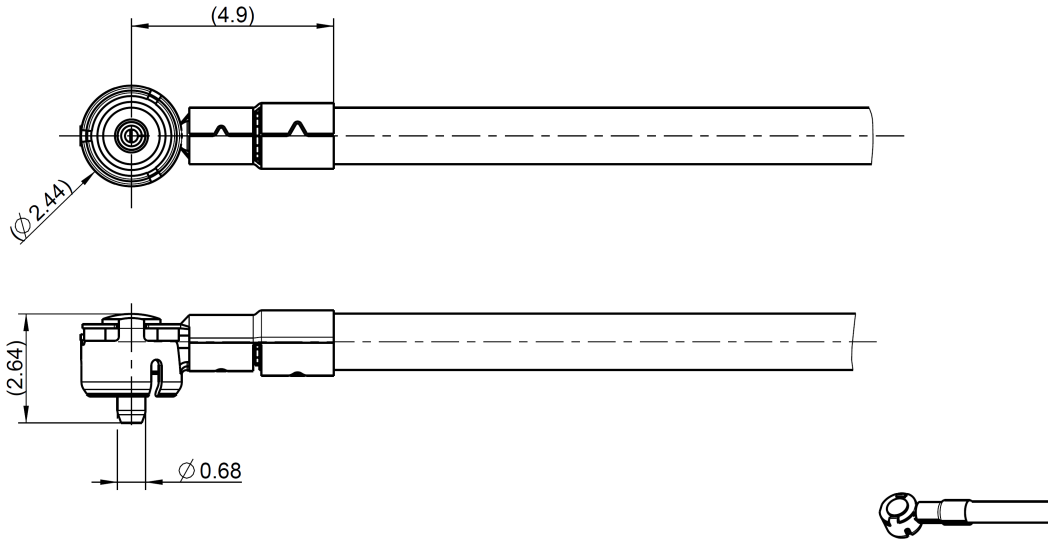
Type	Cable	Length a [mm]	Weight [g]
LH1-099-100	H1	100	4.6
LH1-099-115	H1	115	4.7
LH1-099-174	H1	174	4.9
LH1-099-200	H1	200	5.0
LH1-099-300	H1	300	5.5

Standard length available and customized length on request.

Dieses Dokument ist urheberrechtlich geschützt • This document is protected by copyright • Rosenberger Hochfrequenztechnik GmbH & Co. KG

RF_35/05:10/6.0

Technical Data 15S202-1H1



All dimensions are in mm; tolerances according to ISO 2768 m-H

Interface

According to 15K101-40M RF Test Switch

Material and plating

Connector parts

	Material	Plating
Center contact	Spring bronze	0.15µm Au over 2-3µm Ni
Outer contact	Spring bronze	0.15µm Au over 2-3µm Ni
Cover	Spring bronze	0.15µm Au over 2-3µm Ni
Isolator	TPX	

Electrical data

Impedance	50 Ω
Frequency	DC to 6 GHz
Return loss	≥ -26 dB, DC to 2 GHz
	≥ -23 dB, 2 to 4 GHz
	≥ -18 dB, 4 to 6 GHz
Insulation resistance	≥ 0.5 x10 ³ MΩ
Center contact resistance	≤ 50 mΩ
Outer contact resistance	≤ 100 mΩ
Working voltage	4 V

Dieses Dokument ist urheberrechtlich geschützt • This document is protected by copyright • Rosenberger Hochfrequenztechnik GmbH & Co. KG

RF_35/05.10/6.0

Mechanical data

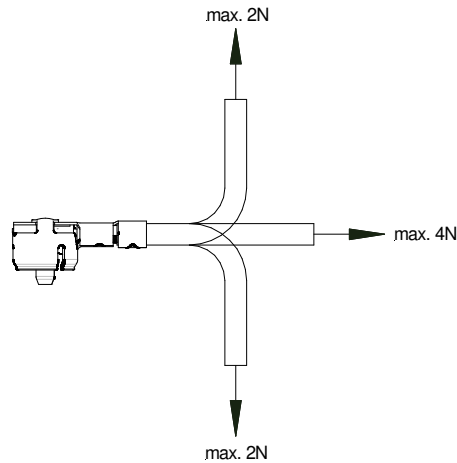
Mating cycles	≥ 25
Mating force	≤ 45 N
Unmating force	≥ 2N
Mated height	2.4 mm

Environmental data

Temperature range	-40°C to +90°C
Storage temperature	-40°C to +90°C
RoHS	compliant

Cable load

After mating do not apply higher forces than defined in the picture below.



Dieses Dokument ist urheberrechtlich geschützt • This document is protected by copyright • Rosenberger Hochfrequenztechnik GmbH & Co. KG

RF_35/05.10/6.0

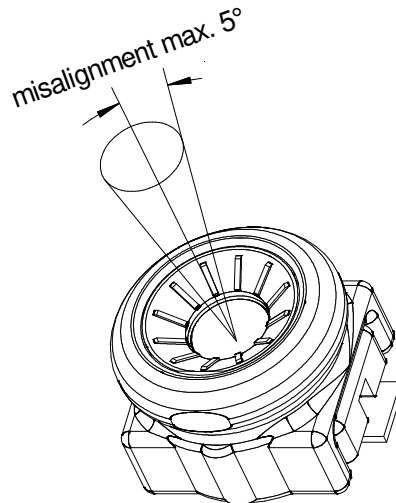
Mating and un-mating

For the reliable un-mating of the cable connector a special tool is dedicated:

Un-mating tool 15W003-000

Usage remarks:

1. The vertical mating axis of the PCB receptacle and the cable connector has to be aligned during the connecting and a click will confirm that the connectors are mated correctly.
2. The disconnection of the 2 connectors is carried out vertically with the tool 15W003-000 in the mating axis of the 2 connectors.
3. The connectors should not be mated under an extreme angle.
4. Avoid the forcefull twisting or deforming of the cable.



Packing

LH1-099-100	20 pcs in plastic bag
LH1-099-115	xx pcs in plastic bag
LH1-099-174	20 pcs in plastic bag
LH1-099-200	xx pcs in plastic bag
LH1-099-300	10 pcs in plastic bag

While the information has been carefully compiled to the best of our knowledge, nothing is intended as representation or warranty on our part and no statement herein shall be construed as recommendation to infringe existing patents. In the effort to improve our products, we reserve the right to make changes judged to be necessary.

Draft	Date	Approved	Date	Rev.	Engineering change number	Name	Date
Georg Lapper	17/09/13	C_Schmidinger	10.04.18	b01	18-0004	C_Schmidinger	10.04.18