



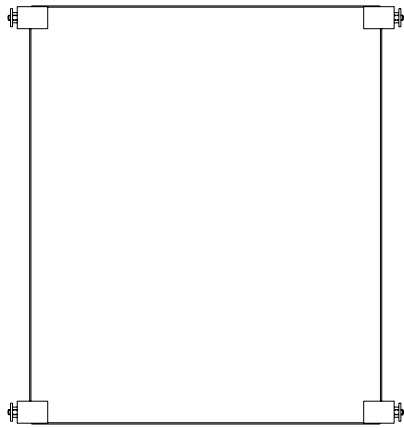
PART No. 72XHWG

for more information visit

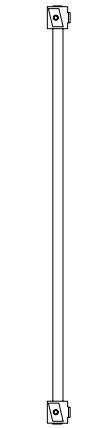
www.hammfg.com

Data subject to change without notice

Isometric drawing Not to Scale



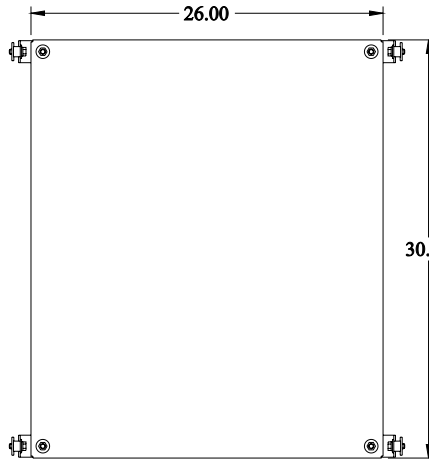
REAR VIEW



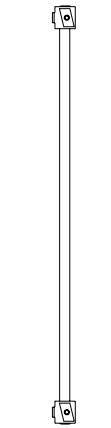
SIDE VIEW



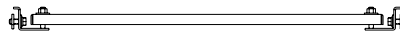
TOP VIEW



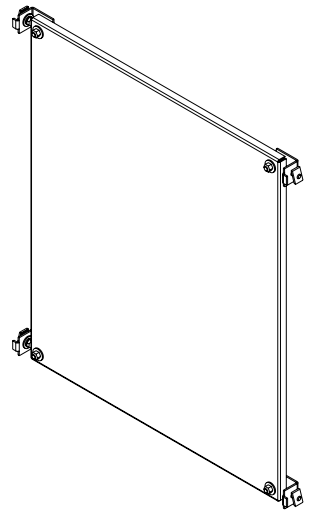
FRONT VIEW



SIDE VIEW



BOTTOM VIEW



ISOMETRIC VIEW