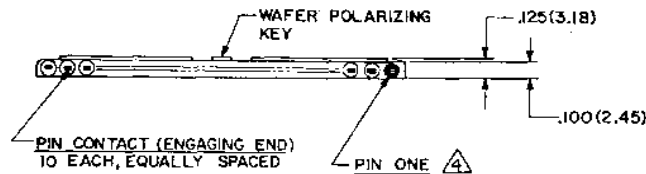
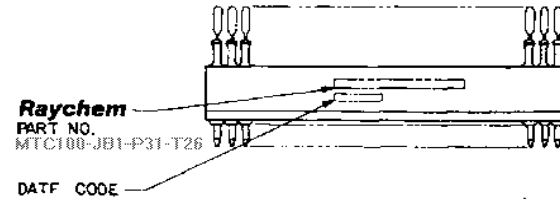
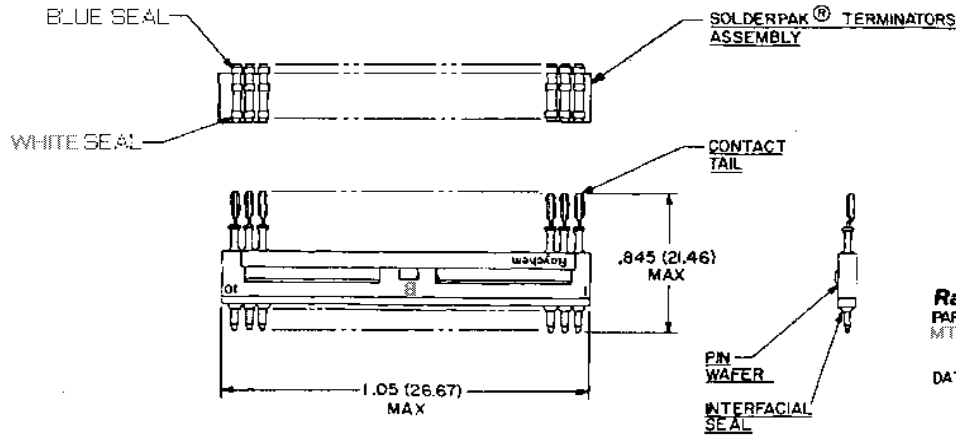


REVISIONS			
ZONF LTR	DESCRIPTION	DATE	APPROVED
A	REVISED PER ECN T-		



△ WEIGHT (MAX) :  $\frac{\text{LBS. | GRAMS}}{.0047 | 2.12}$

△ PIN ONE : PIN NUMBER ONE MARKED IN CONTRASTING COLOR ON INTERFACIAL SEAL.

3. WAFER : WAFER MEETS THE REQUIREMENTS OF RAYCHEM SPECIFICATION D-6011.

2. FINISH :  
 2-A PIN WAFER : FINISH TO BE AS MOLDED.  
 2-B PIN CONTACT (ENGAGING END) : GOLD PLATE PER MIL-G-45204, CLASS I.  
 2-C CONTACT TAIL : COATED WITH SOLDER PER QQ-S-571.

1. MATERIAL :  
 1-A PIN WAFER : HIGH GRADE POLYARYLENE THERMO-PLASTIC.  
 1-B PIN CONTACT : COPPER ALLOY PER QQ-B-613 OR QQ-C-502.  
 1-C INTERFACIAL SEAL : SILICONE ELASTOMER PER MIL-R-25988.  
 1-D SOLDERPAK® TERMINATORS ASSY : REFER TO RAYCHEM DWG. CTA-0226 FOR DATA.

NOTES

If this document is printed it becomes uncontrolled.  
 Check with the web for latest revision.

DO NOT SCALE THIS DRAWING

SPECIFICATION CONTROL DRAWING

UNLESS OTHERWISE SPECIFIED DIMENSIONS ARE IN INCHES BRACKETED DIMENSIONS ( ) ARE METRIC AND TOLERANCES ARE:  .XXX: ± .005 (0.13 M.M.) .XX: ± .02 (0.51 M.M.) Δ: ± —	DRAWN	D.P.	11-93	<b>Raychem</b> <small>RAYCHEM CORPORATION          200 CONSTITUTION DRIVE          MENLO PARK, CALIFORNIA 94025</small>	
	CHECKED	R.H.	11-93		
	APPROVED	R. Hoag	11-93		
	APPROVED				
	CAD FILE#	008064-1.PCX	SIZE	CODE IDENT	DWG. NO.
			C	NO. 06000	MTC100-JB1-P31-T26
				WEIGHT	Δ/5
					SHEET 1 OF 1

© Raychem Corporation 1981