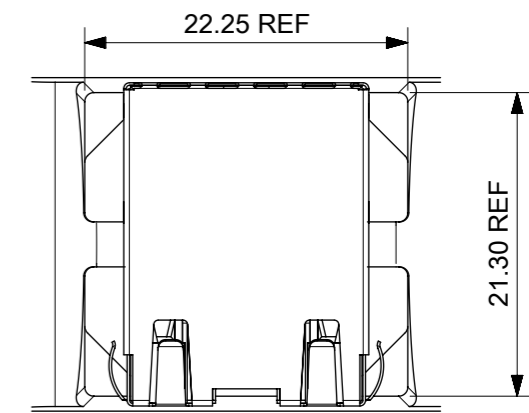
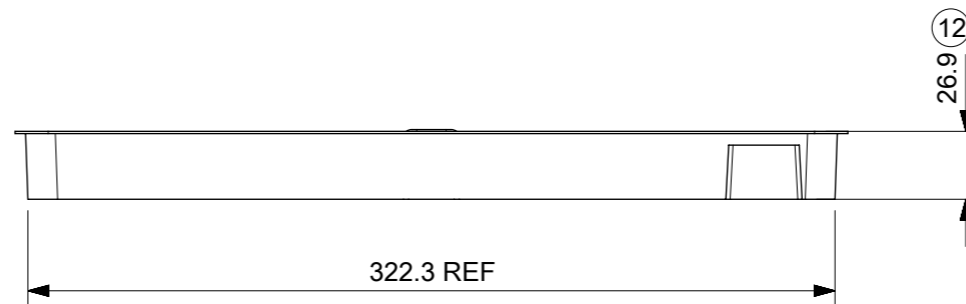
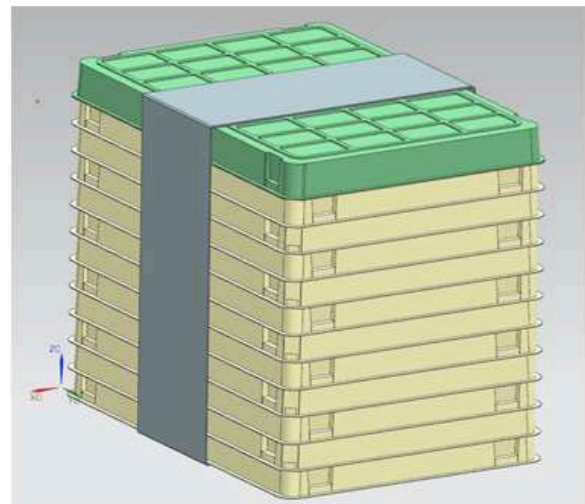
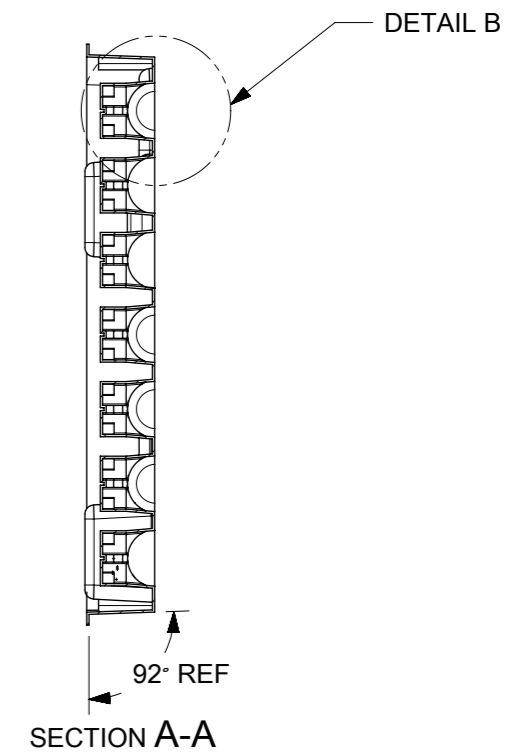
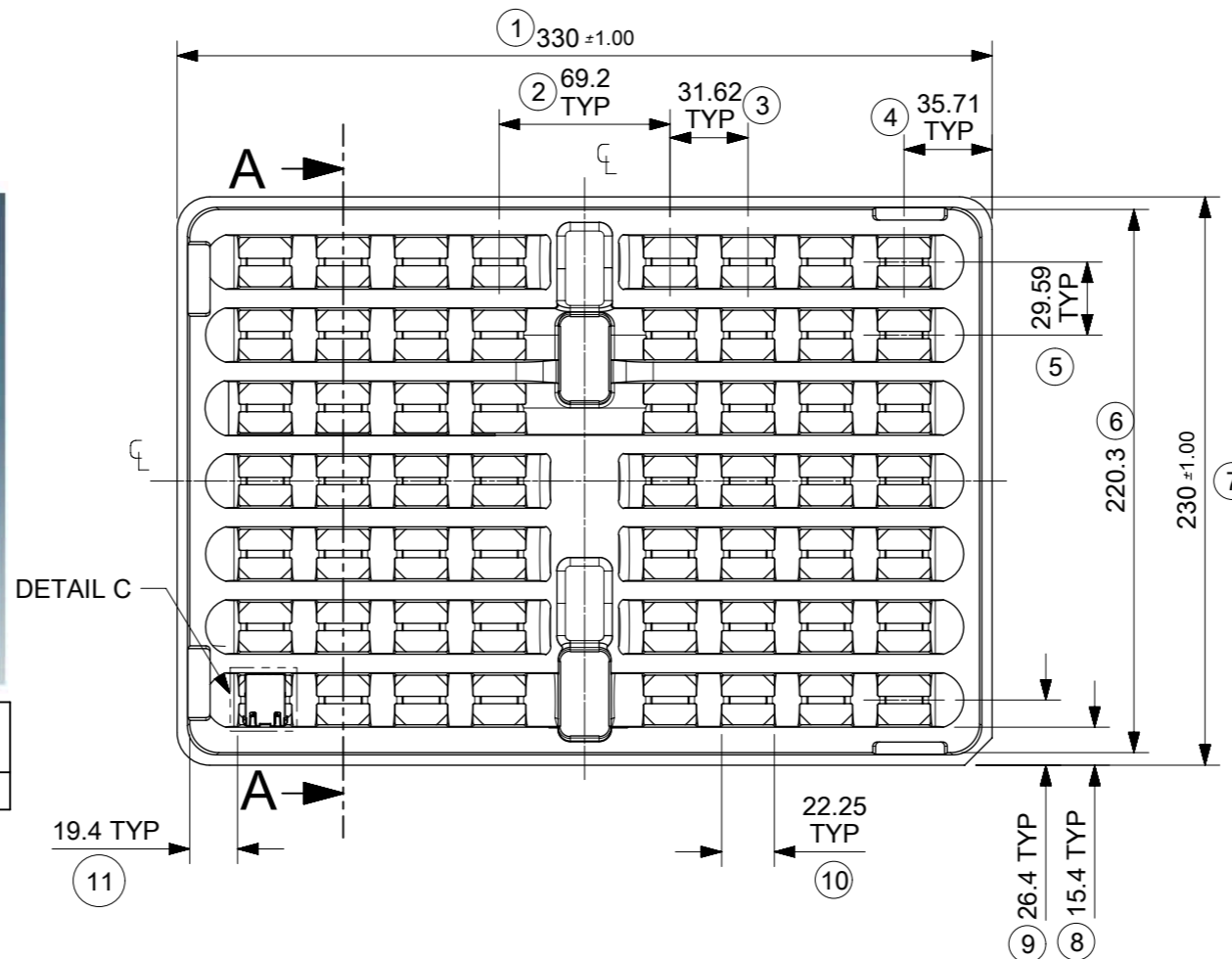


DETAIL B



DETAIL C
SCALE 2:1



VERSION	QUANTITY PER TRAY	QUANTITY OF TRAYS PER BOX	QUANTITY PER BOX	QUANTITY PER PALLET
0.85" VERSION	56	12	672	18,144

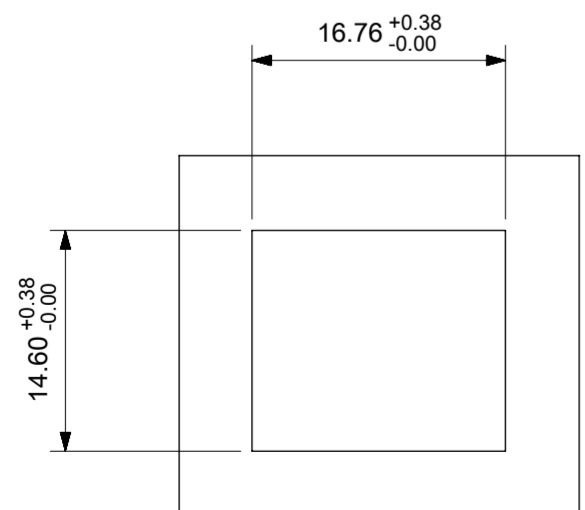
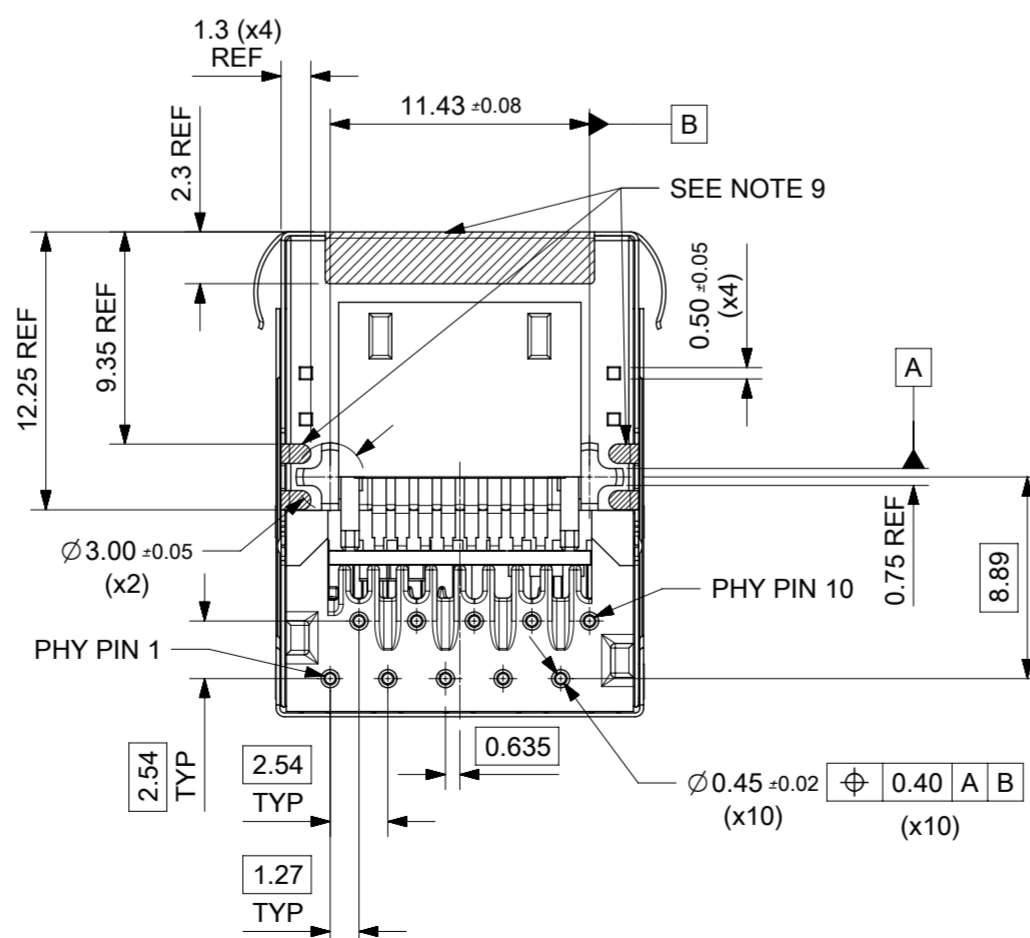
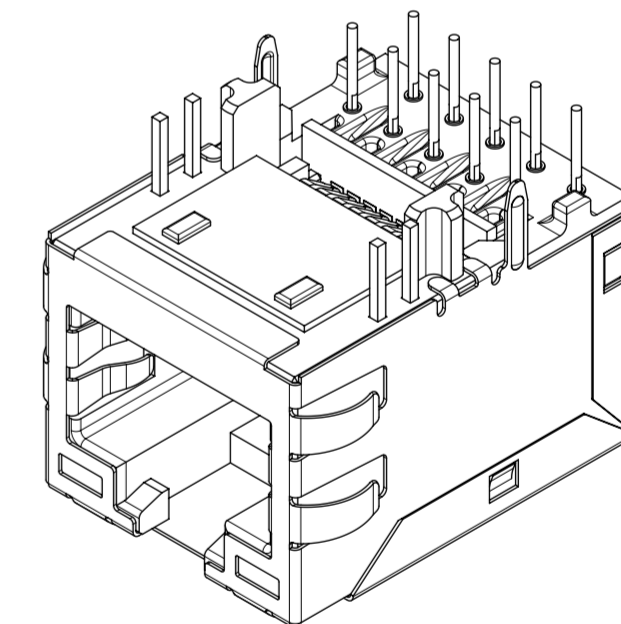
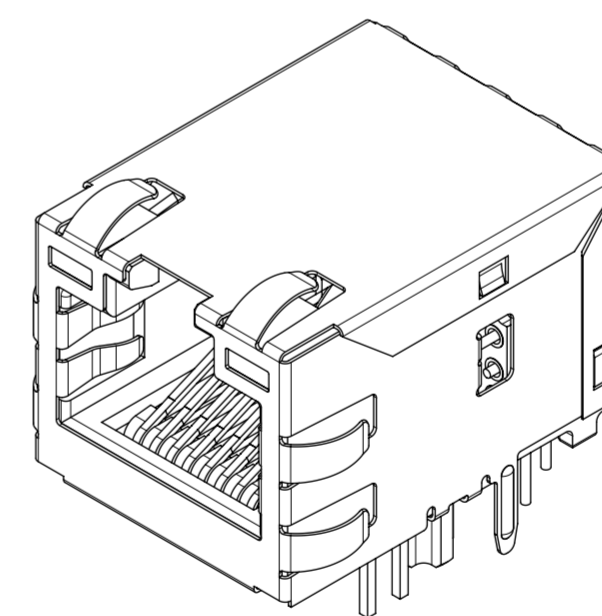
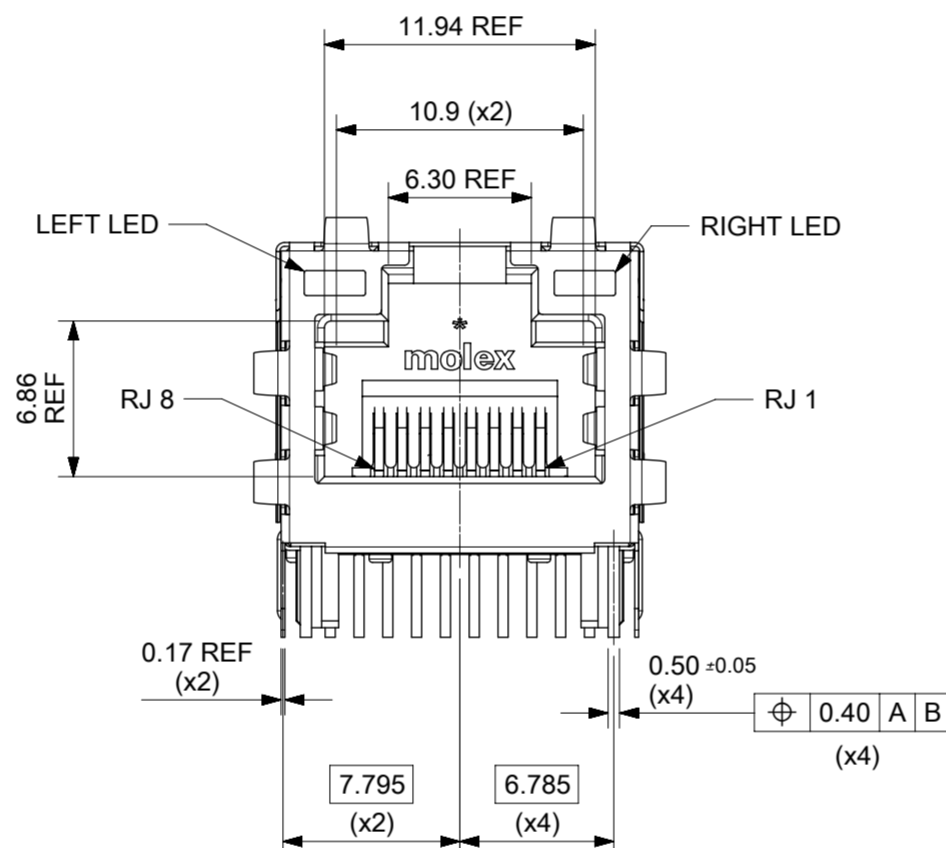
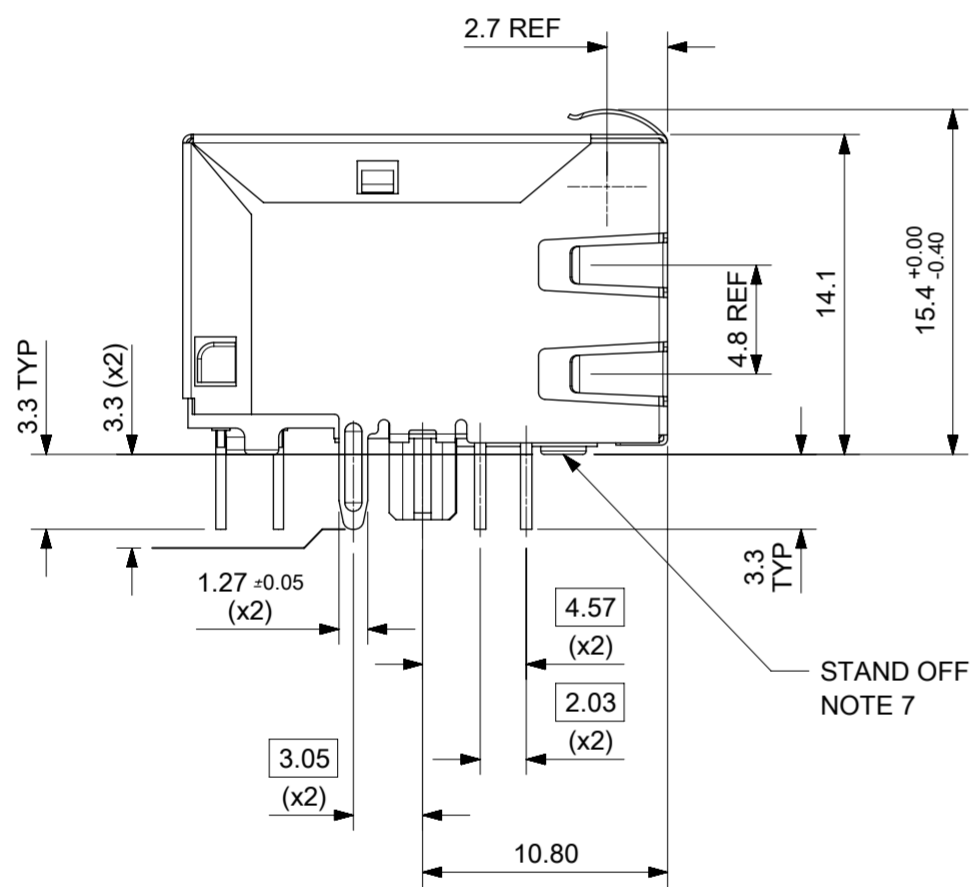
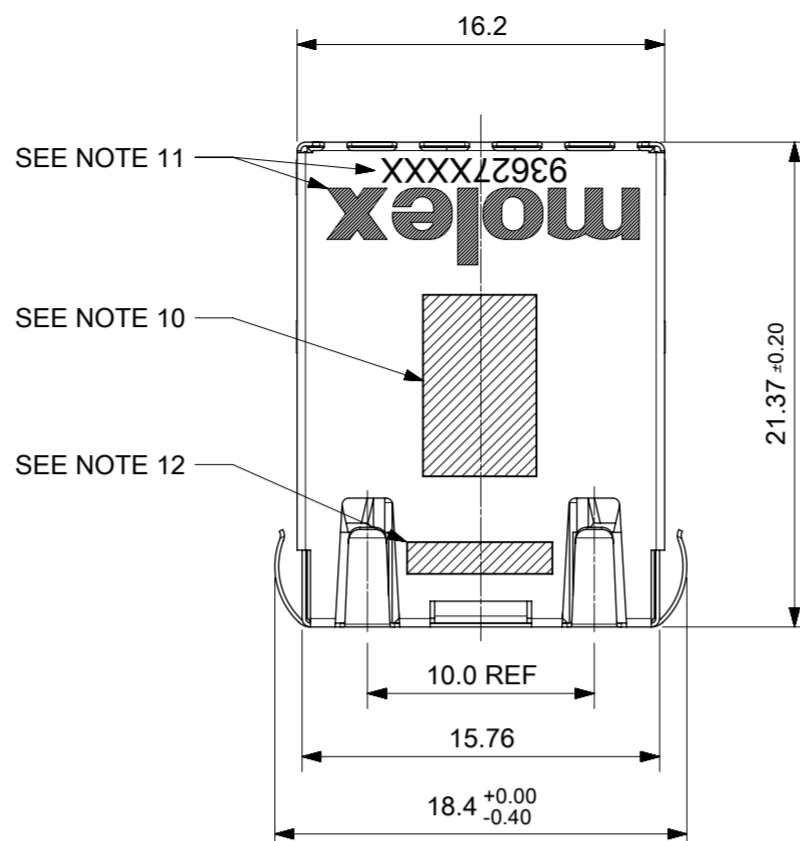
NOTES:

- MATERIAL: PETA ANTISTATIC
- THICKNESS: 0.9mm ±0.05mm
- COLOUR: CLEAR
- BOW 2mm MAXIMUM PER 330mm
- TWIST 2mm MAXIMUM PER 330mm
- TRAY PART NO. AND RECYCLE LOGO TO BE CLEARLY MARKED ON TRAY
RECYCLE LOGO SHOULD BE APPROPRIATE TO MATERIAL USED
- WHERE RELEVANT, DIMENSIONS SHOULD BE SYMMETRICAL ABOUT THE CENTRELINE
- GENERAL PROFILE TOLERANCE $\overline{\cup}$ 0.40 ON NON DIMENSIONED FEATURES

LAST INSPECTION NUMBER USED: 12

QUALITY SYMBOLS		THIS DRAWING CONTAINS INFORMATION THAT IS PROPRIETARY TO MOLEX ELECTRONIC TECHNOLOGIES, LLC AND SHOULD NOT BE USED WITHOUT WRITTEN PERMISSION							
∇_A	= 0	ORIGINAL RELEASE EC NO: 109024 DRWN: DALLENO1 CHK'D: DALLENO1 APPR: STGRIFFIN	GENERAL TOLERANCES (UNLESS SPECIFIED)		DIMENSION UNITS	SCALE			
∇_E	= 0		ANGULAR TOL ± 1.0 °		MM	1:3			
∇_F	= 0		4 PLACES ±	3 PLACES ±	DRWN BY	DATE			
∇_G	= 0		2 PLACES ± 0.2	1 PLACE ± 0.5	KREILLY	2016/05/06			
∇_H	= 0	0 PLACES ±	DRAFT WHERE APPLICABLE MUST REMAIN WITHIN DIMENSIONS	CHK'D BY	DATE	molex MXMAG STANDARD AND INVERTED TRAY PRODUCT CUSTOMER DRAWING			
∇_I	= 0	EC NO: 109024	DRWN: DALLENO1	APPR BY	DATE		SERIES	MATERIAL NUMBER	CUSTOMER
∇_J	= 0	A	REV	DRAWING SIZE	THIRD ANGLE PROJECTION		93462	990250150	GENERAL MARKET
∇_K	= 0			A3		DOCUMENT NUMBER	DOC TYPE	DOC PART	SHEET NUMBER
∇_L	= 0					934620003	PSD	K	1 OF 1

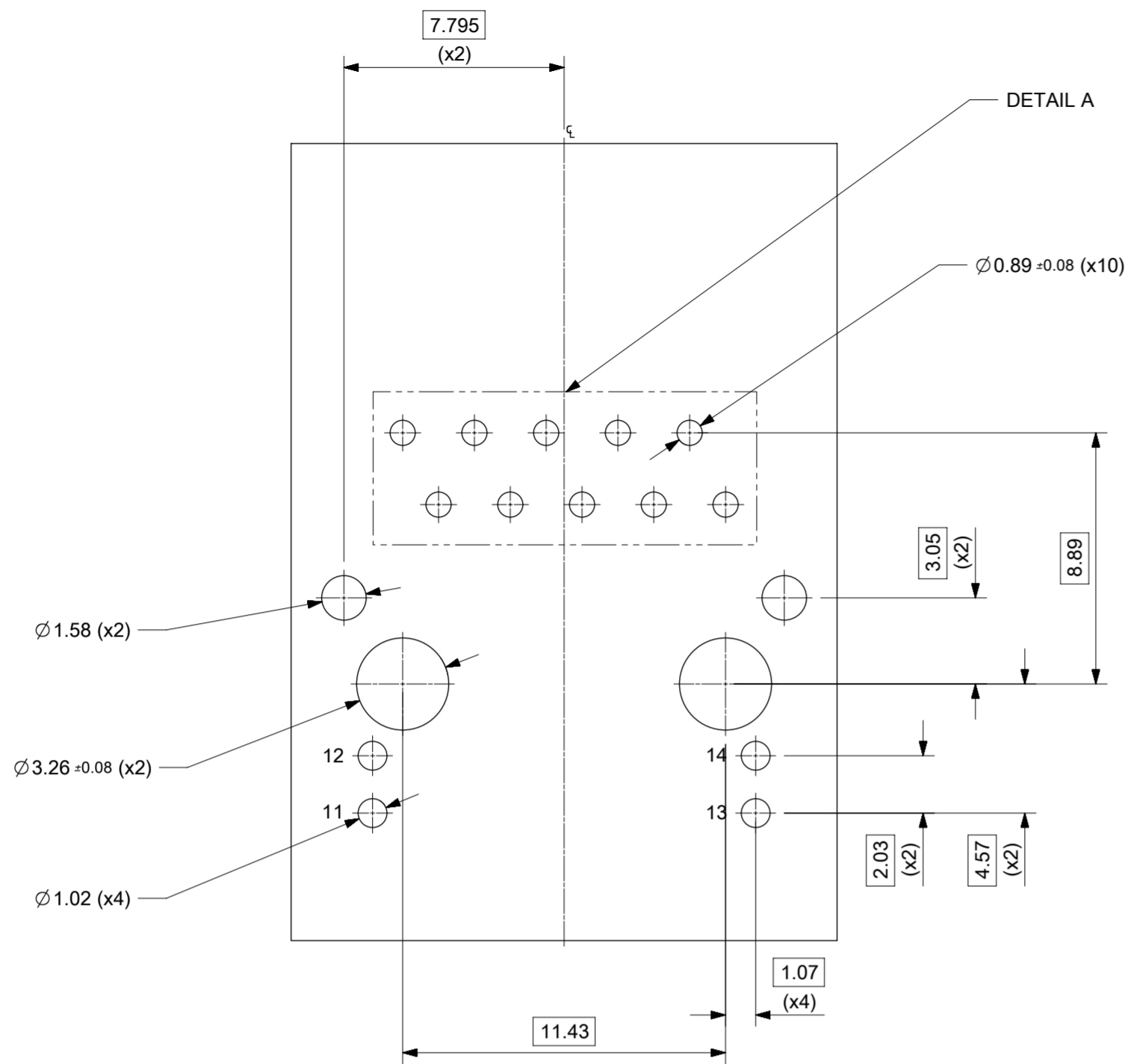
INVERTED PROFILE MAGNETIC JACK
GIGABIT ETHERNET W/LED
AND W/SHIELD TABS



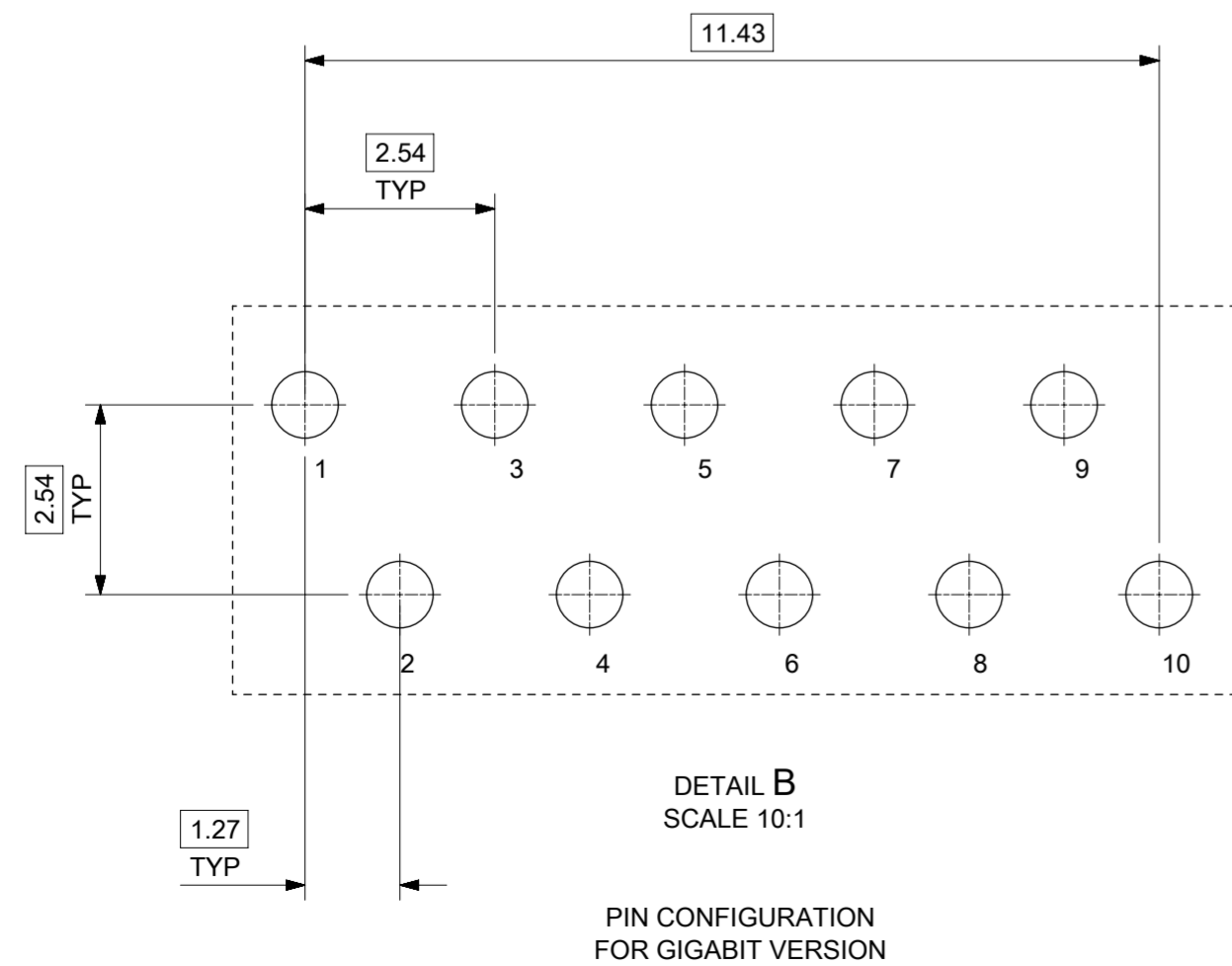
SUGGESTED PANEL CUT-OUT

- NOTES:
- SHIELD MATERIAL: 0.17 mm THICK BRASS PRE-PLATED WITH NICKEL
SOLDER TABS POST DIPPED WITH MIN 1.27 µm TIN
 - HOUSING MATERIAL: LCP, BLACK, UL 94V-0
 - TERMINALS MATERIAL: PHOSPHOR BRONZE
RJ45 CONTACTS PLATING: BASE NICKEL PLATED WITH GOLD
FLASH OVER PALLADIUM NICKEL. REFER TO 934620001 PSP
PHY SOLDER TAILS: COPPER ALLOY
 - MATING INTERFACE ACCORDING TO IEC 60603-7 & TIA-1096-A
 - PRODUCT SPECIFICATION: 934620001 PSP
 - PACKAGING SPECIFICATION: 934620001 PSK TRAY
 - STAND OFF TO SYSTEM BOARD 0.30 mm MIN
 - RECOMMENDED PCB THICKNESS: 1.57 mm
 - SHIELD: AVOID ROUTING TRACES
OR PLACING ANY VIAS BELOW THESE AREAS
 - AREA FOR PICK AND PLACE: 5.0 mm X 8.0 mm
 - INSCRIPTION MARKED BY LASER:
1st : MOLEX
2nd : P/N (SEE BOM)
 - INSCRIPTION MARKED BY LASER:
DATE CODE(DAY/WEEK/YEAR)
 - MATERIAL COMPLIANT TO RoHS DIRECTIVE 2002/95/EC

THIS DRAWING CONTAINS INFORMATION THAT IS PROPRIETARY TO MOLEX ELECTRONIC TECHNOLOGIES, LLC AND SHOULD NOT BE USED WITHOUT WRITTEN PERMISSION		GENERAL TOLERANCES (UNLESS SPECIFIED)		DIMENSION UNITS	SCALE	molex		
		mm		3:1	INV PRO MX MAG 8 CORE GIG W/LED W/EMI			
REVISED	2017/05/09	ANGULAR TOL ± 2.0 °		DRWN BY	DATE	PRODUCT CUSTOMER DRAWING		
	2017/09/12	4 PLACES ±	KREILLY	2015/08/31	SERIES MATERIAL NUMBER CUSTOMER			
	2017/09/26	3 PLACES ±	CHK'D BY	DATE	93627	SEE TABLE ON SHEET 2	GENERAL MARKET	
	EC NO: 116686	2 PLACES ± 0.1	DBYRNES	2017/02/22	DOCUMENT NUMBER	DOC TYPE	DOC PART SHEET NUMBER	
	DRWN: KREILLY	1 PLACE ± 0.2	APPR BY	DATE	936270003	PSD	000 1 OF 3	
CHKD: DSHEA	0 PLACES ±	STGRIFFIN	2015/11/20					
APP: DBYRNES	DRAFT WHERE APPLICABLE MUST REMAIN WITHIN DIMENSIONS		DRAWING SIZE	THIRD ANGLE PROJECTION				
C			A2					

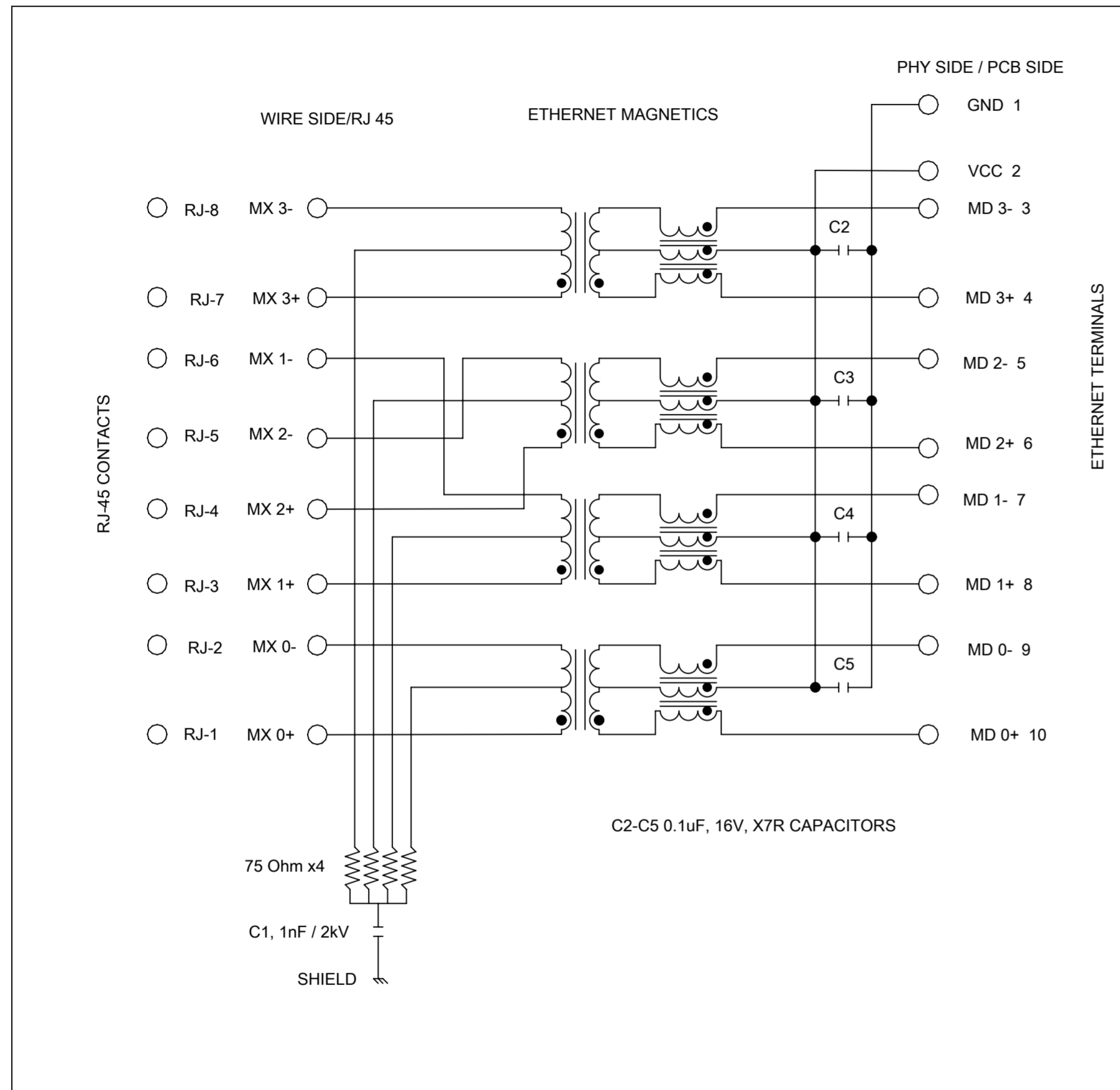


SUGGESTED BOARD LAYOUT
GIGABIT VERSION
COMPONENT SIDE
ALL DIMS REFERENCE DIMS

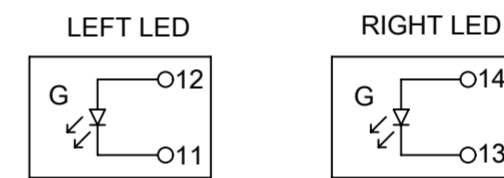


PART NUMBER	LEFT LED	RIGHT LED
93627-3601	GREEN	GREEN
93627-3606	GREEN	YELLOW
93627-3608	GREEN/YELLOW	GREEN/YELLOW

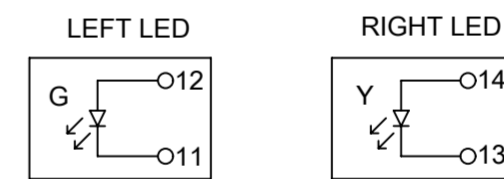
THIS DRAWING CONTAINS INFORMATION THAT IS PROPRIETARY TO MOLEX ELECTRONIC TECHNOLOGIES, LLC AND SHOULD NOT BE USED WITHOUT WRITTEN PERMISSION										
REVISED EC NO: 116686 DRWN: KREILLY CHKD: DSHEA REV APPR: DBYRNES	2017/05/09	2017/09/12	2017/09/26	GENERAL TOLERANCES (UNLESS SPECIFIED)	DIMENSION UNITS	SCALE				
	4 PLACES	±		mm	5:1					
	ANGULAR TOL ± 2.0 °				DRWN BY	DATE	INV PRO MX MAG 8 CORE GIG W/LED W/EMI			
	3 PLACES	±		KREILLY	2015/08/31					
	DRAFT WHERE APPLICABLE MUST REMAIN WITHIN DIMENSIONS				CHK'D BY	DATE	PRODUCT CUSTOMER DRAWING			
	2 PLACES	±	0.1	DBYRNES	2017/02/22					
				APPR BY	DATE	SERIES	MATERIAL NUMBER	CUSTOMER		
				STGRIFFIN	2015/11/20	93627	SEE TABLE	GENERAL MARKET		
				DRAWING SIZE	THIRD ANGLE PROJECTION	DOCUMENT NUMBER		DOC TYPE	DOC PART	SHEET NUMBER
				A2		936270003		PSD	000	2 OF 3



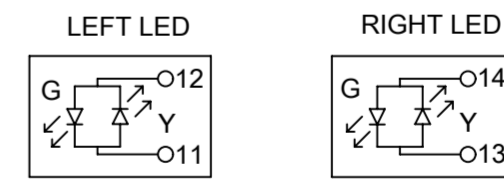
Description	Value	
OCL @100 kHz, 0.1 V 8 mA DC bias (0°C to +70°C)	350 μH min.	
Turns ratio	1CT:1CT	
Transmission characteristics @ 25°C, all four pairs		
Insertion Loss		
Frequency f, (MHz)	Limits (dB max.)	Typical Values (dB max.)
1.0-9.9	0.4+0.1*log(f)	0.5 @ 10 MHz
10-49.9	0.5+0.3*log(f/10)	0.7 @ 50 MHz
50-79.9	1+1.4*log(f/80)	1.0 @ 80 MHz
80-100	1.3+3*log(f/100)	1.3 @ 100 MHz
Return Loss		
Frequency f, (MHz)	Limits (dB min.)	Typical Values (dB min.)
1.0-39.9	18	18 @ 40 MHz
40-100	12-20*log(f/80)	10 @ 100 MHz
CMR		
Frequency f, (MHz)	Limits (dB min.)	Typical Values (dB min.)
1.0-100	30	30 @ 100 MHz
Next		
Frequency f, (MHz)	Limits (dB min.)	Typical Values (dB min.)
1.0-39.9	35	35 @ 40 MHz
40-100	33-20*log(f/50)	27 @ 100 MHz
Isolation PHY to wire side	2.25 kVDC/60sec	



93627-3601



93627-3606



BICOLOUR OPTION

BICOLOUR OPTION

93627-3608

THIS DRAWING CONTAINS INFORMATION THAT IS PROPRIETARY TO MOLEX ELECTRONIC TECHNOLOGIES, LLC AND SHOULD NOT BE USED WITHOUT WRITTEN PERMISSION

REVISED		GENERAL TOLERANCES (UNLESS SPECIFIED)		DIMENSION UNITS		SCALE					
EC NO.	DATE			mm		1:1					
116686	2017/05/09	ANGULAR TOL ± 2.0 °		DRWN BY		DATE		INV PRO MX MAG 8 CORE GIG W/LED W/EMI			
KREILLY	2017/09/12	4 PLACES ±		KREILLY		2015/08/31					
DSHEA	2017/09/26	3 PLACES ±		CHK'D BY		DATE		PRODUCT CUSTOMER DRAWING			
DBYRNES		2 PLACES ± 0.1		DBYRNES		2017/02/22					
		1 PLACE ± 0.2		APPR BY		DATE		SERIES MATERIAL NUMBER CUSTOMER			
		0 PLACES ±		STGRIFFIN		2015/11/20					
DRAFT WHERE APPLICABLE MUST REMAIN WITHIN DIMENSIONS		DRAWING SIZE		THIRD ANGLE PROJECTION				93627 SEE TABLE ON SHEET 2 GENERAL MARKET			
		A2									
				DOCUMENT NUMBER		DOC TYPE		DOC PART		SHEET NUMBER	
				936270003		PSD		000		3 OF 3	