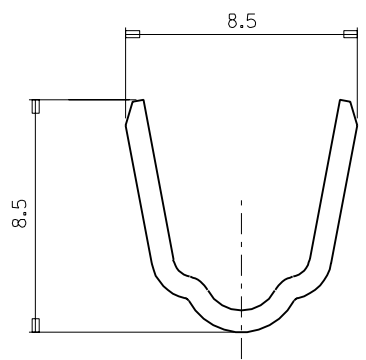
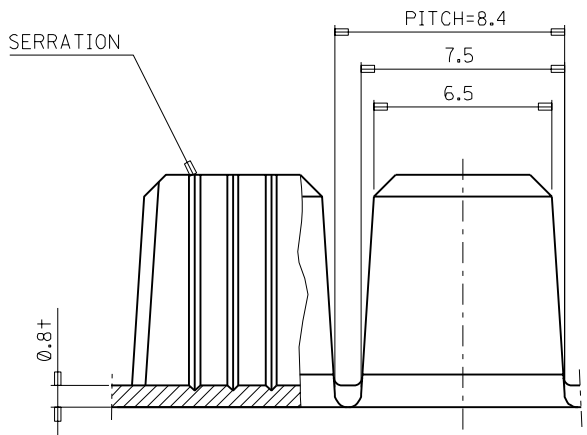


8 7 6 5 4 3 2 1

ENG. NO SD 35760-5200
 EDP NO.
 SIMILAR ITEM
 PROJECT NO.
 DO NOT SCALE DRAWING
 DIMENSION IN METRIC



ASS'Y PART		QTY/REEL OR PACK	SURFACE AREA	MATERIAL	BRASS , 0.8+	WIRE RANGE	GENERAL TOLERANCES	molex MOLEX-KOREA CO.,LTD.						
DESCRIPTION	ENG.NO.	---	--- MM ²	DIMENSION CLASSIFICATION		AWG:	DIM. : +0.3							
---	---	DIE NO. ---	LAYOUT NO. ---	<input checked="" type="checkbox"/> : CRITICAL <input checked="" type="checkbox"/> : MAJOR <input type="checkbox"/> : MINOR () : REFERENCE		MM ² :	ANGLE :	REVISE ONLY ON CAD SYSTEM						
A	CAD REDRAWING	94-003	94.5.19	WIRE CRIMP WIDTH	INS. CRIMP WIDTH	INSULATION RANGE	TITLE:	AK 3317 SPLICE						
LTR	REVISION RECORD	ECN	DR/CHK	DATE	DIE FEED	APPL FEED	WBDW	IBDW	APP'D BY	SCALE	6:1	ENG.NO.	SD 35760-5200	REV A

8 7 6 5 4 3 2 1 MK-9