

1

2

3

4

5

6

7

A

B

C

D

E

F

A

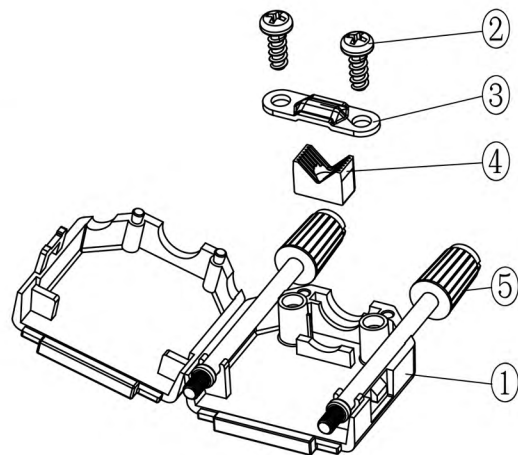
B

C

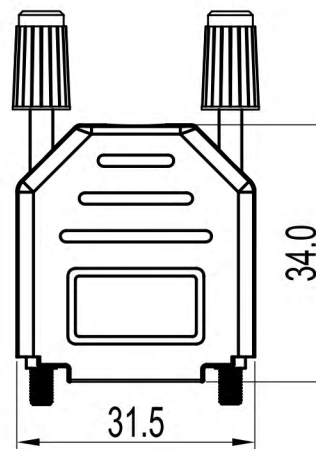
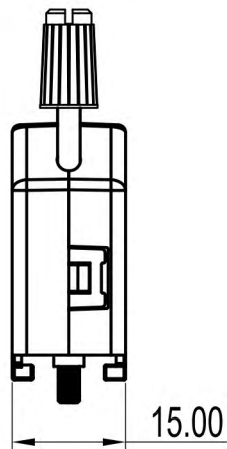
D

E

F



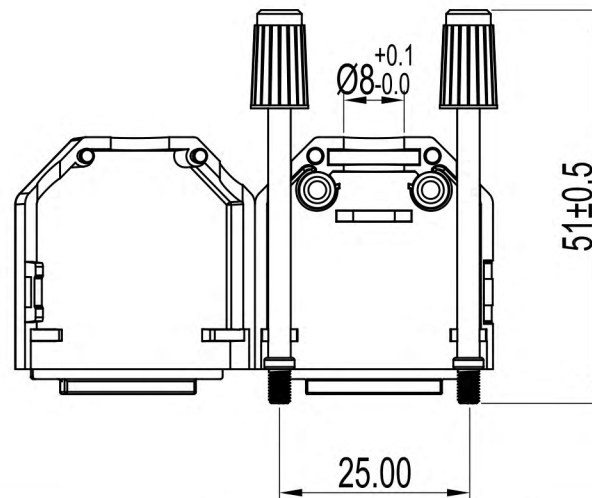
Item	QTY	Part description
1	1	Plastic Cover
2	2	EPS 3x8 Self Tapping Screw
3	1	Cable Clamp
4	1	Plastic Insert
5	2	Jackscrews UNC4-40x51mm



15.00

31.5

34.0



25.00

51±0.5

TECHNICAL SPECIFICATIONS

Material: Plastic (PA), UL94-HB

Colour: White

Operating Temperature: -55°C to +110°C

Thumbscrews: UNC 4-40

No. of contacts: 09-15-25-37-50

RoHS compliant
Unit: mm

Scale	Free				Date	Name	Customer-No.
TOLERANCE					Drawn	17.08.2017	S.Bölling
0~6	±0.10				Approved	17.08.2017	S.Bölling
6~30	±0.20						
30~120	±0.30						
120~400	±0.50						
DIM	Tol						
Angle	±1°	©	Drawn	17.08.2017	S.Bölling	ASSMANN WSW components	
Angle	Tol	Id.	Modification	Date	Name	Drawing-No. ASS_5260_CO	rev00 Sheet 1/5

Customer-No.

Drawn

17.08.2017

S.Bölling

Approved

17.08.2017

S.Bölling

ASSMANN WSW-No.

ACOV-SUB-09NB19

Drawing-No.

ASS_5260_CO

rev00

Replace

Sheet 1/5

1

2

3

4

5

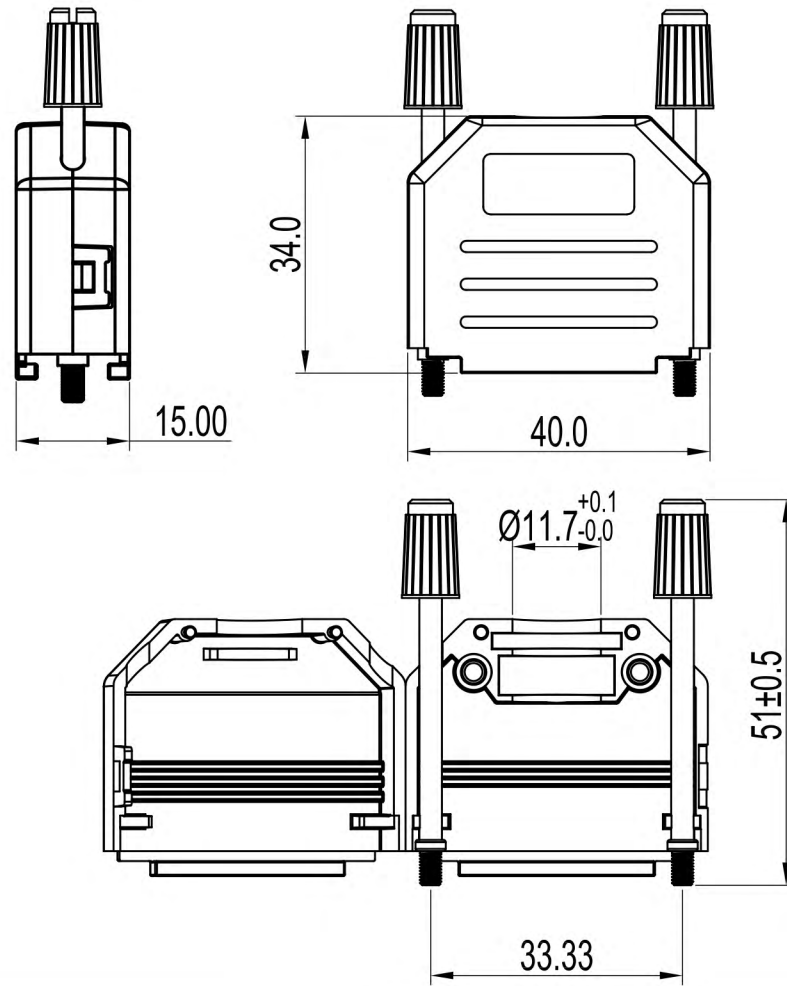
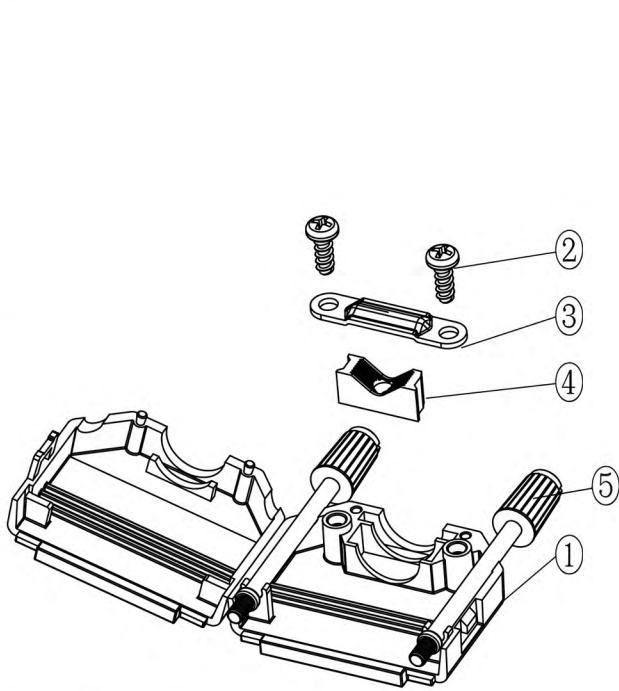
6

7

SV4382

A
B
C
D
E
F
G
H

A
B
C
D
E
F
G
H



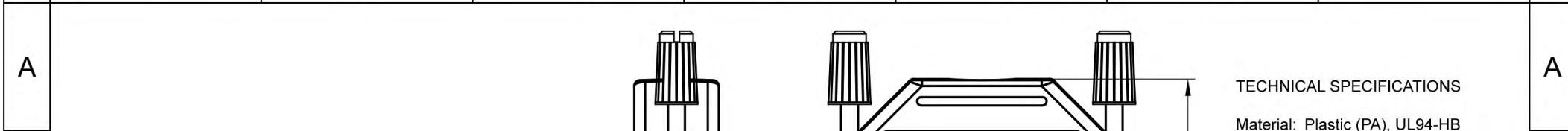
TECHNICAL SPECIFICATIONS
 Material: Plastic (PA), UL94-HB
 Colour: White
 Operating Temperature: -55°C to +110°C
 Thumbscrews: UNC 4-40
 No. of contacts: 09-15-25-37-50

Item	QTY	Part description
1	1	Plastic Cover
2	2	EPS 3x8 Self Tapping Screw
3	1	Cable Clamp
4	1	Plastic Insert
5	2	Jackscrews UNC4-40x51mm

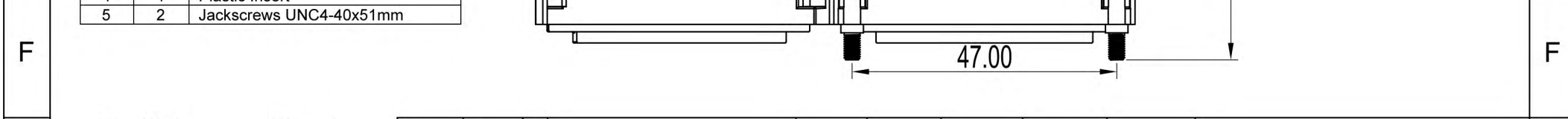
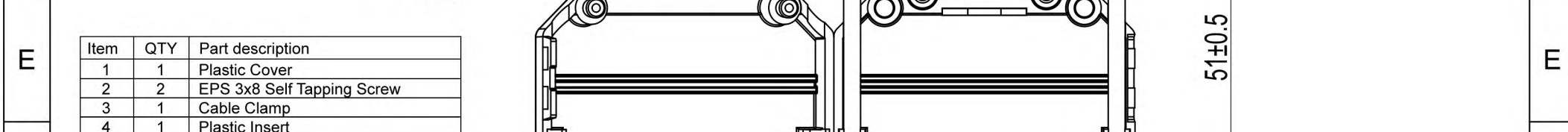
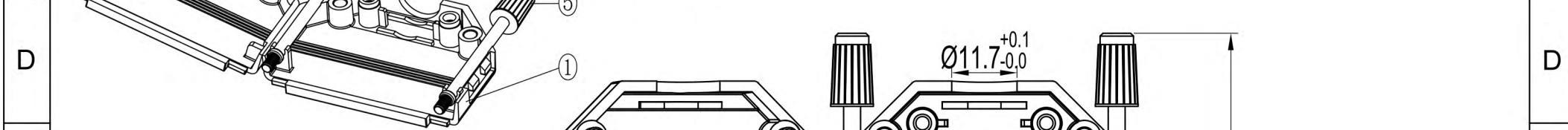
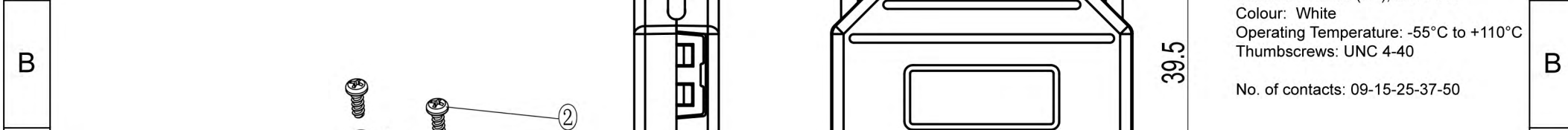
RoHS compliant
 Unit: mm

Scale	Free				Date	Name	Customer-No.	
TOLERANCE					Drawn	17.08.2017	S.Bölling	
0~6	±0.10				Approved	17.08.2017	S.Bölling	
6~30	±0.20							
30~120	±0.30							
120~400	±0.50							
DIM	Tol							
Angle	±1°	©	Drawn	17.08.2017				S.Bölling
Angle	Tol	Id.	Modification	Date				Name

Customer-No.		
ASSMANN WSW-No.		ACOVSUB-15NB19
Drawing-No.	ASS_5260_CO	rev00
Replace		Sheet 2/5



TECHNICAL SPECIFICATIONS
 Material: Plastic (PA), UL94-HB
 Colour: White
 Operating Temperature: -55°C to +110°C
 Thumbscrews: UNC 4-40
 No. of contacts: 09-15-25-37-50



Item	QTY	Part description
1	1	Plastic Cover
2	2	EPS 3x8 Self Tapping Screw
3	1	Cable Clamp
4	1	Plastic Insert
5	2	Jackscrews UNC4-40x51mm

G	RoHS compliant Unit: mm	Scale	Free				Date	Name	Customer-No.	
		TOLERANCE					Drawn	17.08.2017	S.Bölling	ASSMANN WSW-No. ACOV-SUB-25NB19
		0~6	±0.10				Approved	17.08.2017	S.Bölling	
H	RoHS compliant Unit: mm	6~30	±0.20						Drawing-No.	
		30~120	±0.30						ASS_5260_CO	
		120~400	±0.50						rev00	
		DIM	Tol	©	Drawn	17.08.2017	S.Bölling	Replace		
		Angle	±1°						Sheet 3/5	
		Angle	Tol	Id.	Modification	Date	Name			



1

2

3

4

5

6

7

A

B

C

D

E

F

A

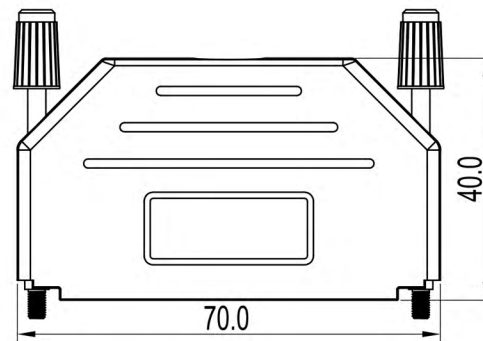
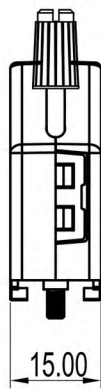
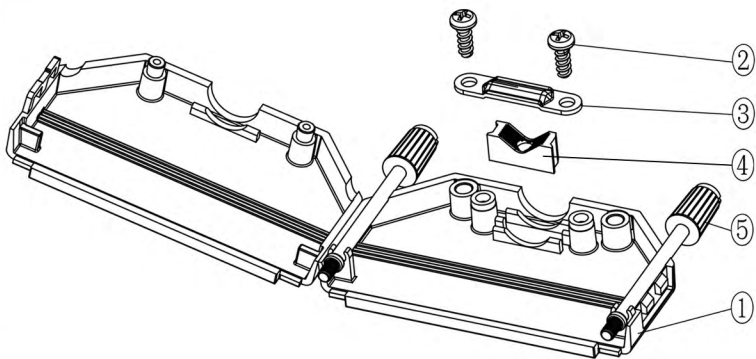
B

C

D

E

F

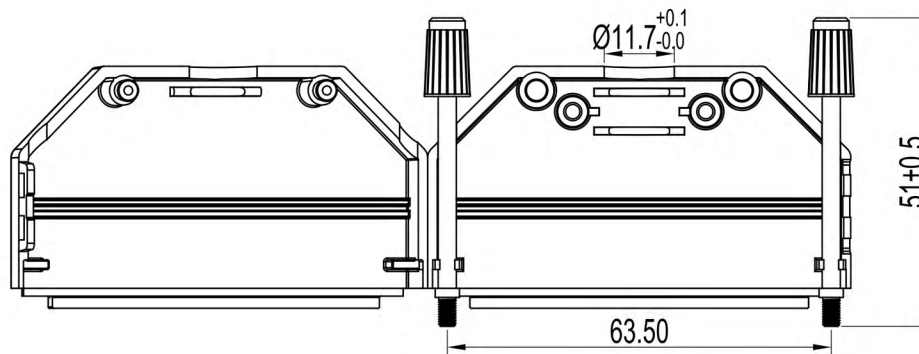


TECHNICAL SPECIFICATIONS


Material: Plastic (PA), UL94-HB
 Colour: White
 Operating Temperature: -55°C to +110°C
 Thumbscrews: UNC 4-40

No. of contacts: 09-15-25-37-50

Item	QTY	Part description
1	1	Plastic Cover
2	2	EPS 3x8 Self Tapping Screw
3	1	Cable Clamp
4	1	Plastic Insert
5	2	Jackscrews UNC4-40x51mm



RoHS compliant
 Unit: mm

Scale	Free				Date	Name	Customer-No.
TOLERANCE					Drawn	17.08.2017	S.Bölling
0~6	±0.10				Approved	17.08.2017	S.Bölling
6~30	±0.20						
30~120	±0.30						
120~400	±0.50						
DIM	Tol						
Angle	±1°	Ⓞ	Drawn	17.08.2017	S.Bölling		
Angle	Tol	Id.	Modification	Date	Name		

ASSMANN WSW-No.
ACOV-SUB-37NB19

Drawing-No.
ASS_5260_CO rev00
 Replace Sheet 4/5

1

2

3

4

5

6

7

1 2 3 4 5 6 7

A

B

C

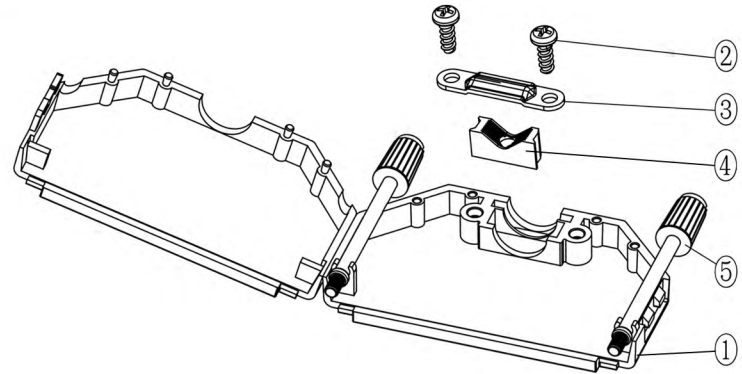
D

E

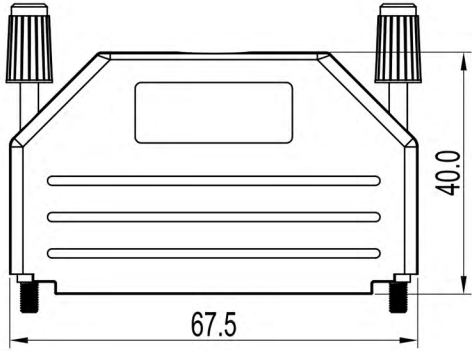
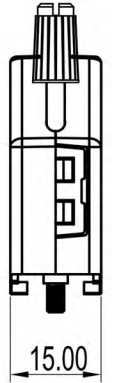
F

G

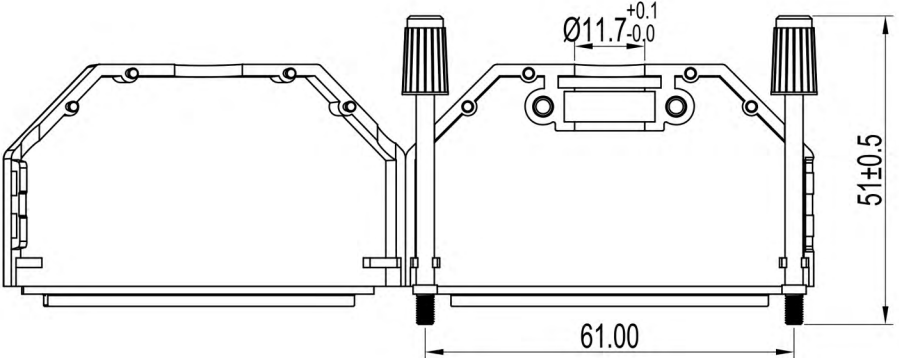
H



Item	QTY	Part description
1	1	Plastic Cover
2	2	EPS 3x8 Self Tapping Screw
3	1	Cable Clamp
4	1	Plastic Insert
5	2	Jackscrews UNC4-40x51mm



TECHNICAL SPECIFICATIONS
 Material: Plastic (PA), UL94-HB
 Colour: White
 Operating Temperature: -55°C to +110°C
 Thumbscrews: UNC 4-40
 No. of contacts: 09-15-25-37-50



RoHS compliant
 Unit: mm

Scale	Free						Date	Name	Customer-No.	
TOLERANCE							Drawn	17.08.2017	S.Bölling	ASSMANN WSW-No. ACOV-SUB-50NB19
0~6	±0.10						Approved	17.08.2017	S.Bölling	
6~30	±0.20									
30~120	±0.30									
120~400	±0.50									Drawing-No.
DIM	Tol									ASS_5260_CO
Angle	±1°	Ⓢ	Drawn				17.08.2017	S.Bölling		rev00
Angle	Tol	Id.	Modification							Sheet 5/5



Replace

1 2 3 4 5 6 7