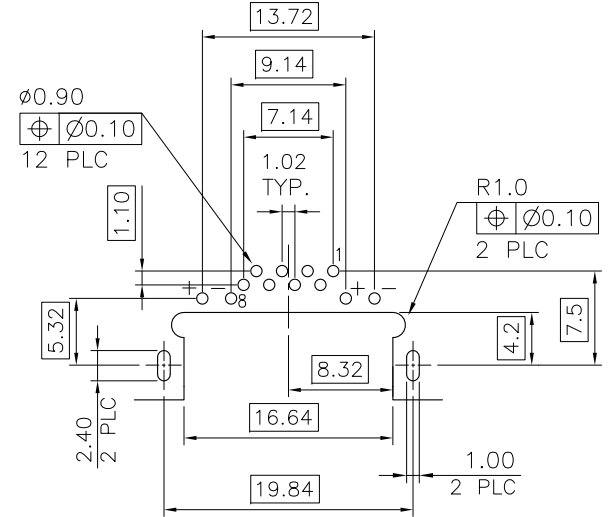
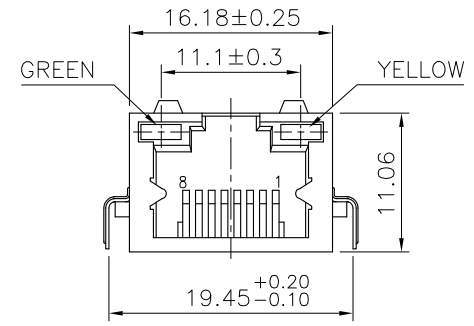
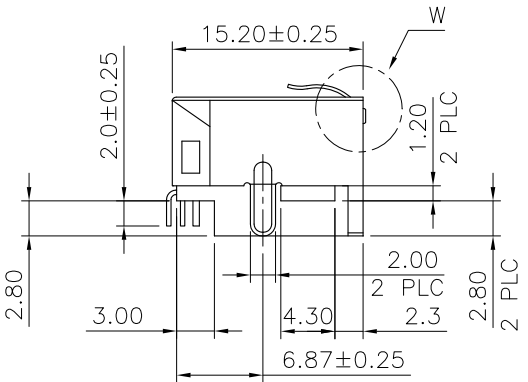
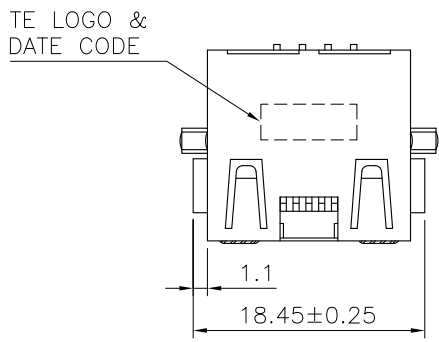
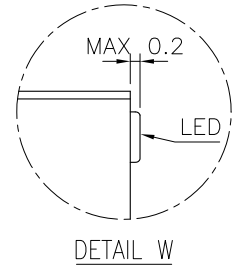
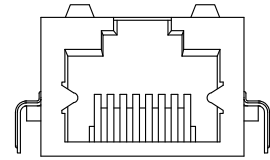
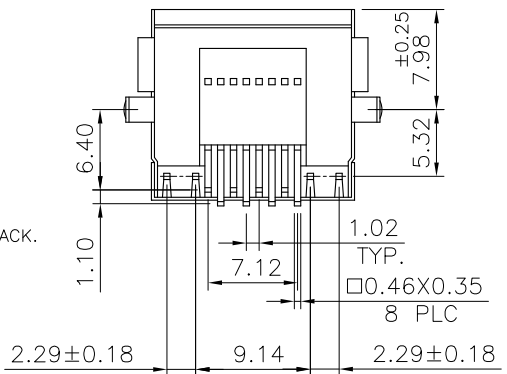


THIS DRAWING IS UNPUBLISHED. RELEASED FOR PUBLICATION  
 © COPYRIGHT 2013 BY TE CONNECTIVITY. ALL RIGHTS RESERVED.

LOC	DIST	REVISIONS					
DW	-	P	LTR	DESCRIPTION	DATE	DWN	APVD
		A2		ECR-12-012115	23OCT12	EL	WK



RECOMMENDED PCB LAYOUT (THICKNESS: 1.6mm)  
 (DIMENSION TOLERANCE: 1 PLC: ±0.1 2PLC: ±0.05)

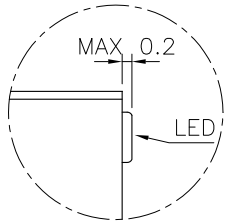


NOTE:

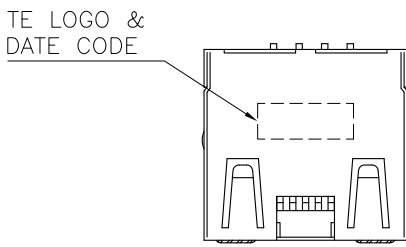
- MATERIAL:  
HOUSING: THERMOPLASTIC HIGH TEMP., UL94 V-0, COLOR: BLACK.  
CONTACT: PHOSPHOR BRONZE, THICKNESS: 0.35mm.  
SHELL: BRASS, THICKNESS: 0.20mm.  
LED LIGHT: EPOXY RESIN, THICKNESS: 0.50mm.
  - FINISH:  
CONTACT: GOLD PLATED (SEE TABLE) IN CONTACT AREA, GOLD FLASH ON SOLDER TAILS, 50u" MIN. NICKEL UNDER PLATED ALL OVER.  
SHELL: 20u" MIN. NICKEL PLATED.  
LED LIGHT: 65u" MIN Ag PLATED, 85u" MIN TIN PLATED.
  - LED MUST BE REFLOW COMPATIBLE TO FOLLOWING TEMPERATURE PROFILE (FOR 1 CYCLE): ABOVE 160°C FOR 120 SECONDS, PEAKING AT 245°C FOR 20~40 SECONDS.
  - LED DEFECT RATE IS 6000 PPM MAX. AFTER IR REFLOW PROCESS AS NOTE 3.
  - WAVE SOLDER CAPABLE TO 265°C PER 109-202, CONDITION B.
- ⚠️ OBSOLETE PARTS: OBSOLETE CIS STREAMLINING PER D.RENAUD/D.SINISI

OBSOLETE	REEL	W/O	50μ"	3-1734719-8		
			30μ"	3-1734719-7		
			15μ"	3-1734719-6		
OBSOLETE	REEL	W/	6μ"	3-1734719-5		
			50μ"	3-1734719-4		
			30μ"	3-1734719-3		
OBSOLETE	REEL	W/O	15μ"	3-1734719-2		
			6μ"	3-1734719-1		
			50μ"	1734719-8		
OBSOLETE	TRAY	W/O	30μ"	1734719-7		
			15μ"	1734719-6		
			6μ"	1734719-5		
OBSOLETE	TRAY	W/	50μ"	1734719-4		
			30μ"	1734719-3		
			15μ"	1734719-2		
			6μ"	1734719-1		
			PACKAGE	LED LIGHT	MIN. GOLD THICKNESS	PART NUMBER

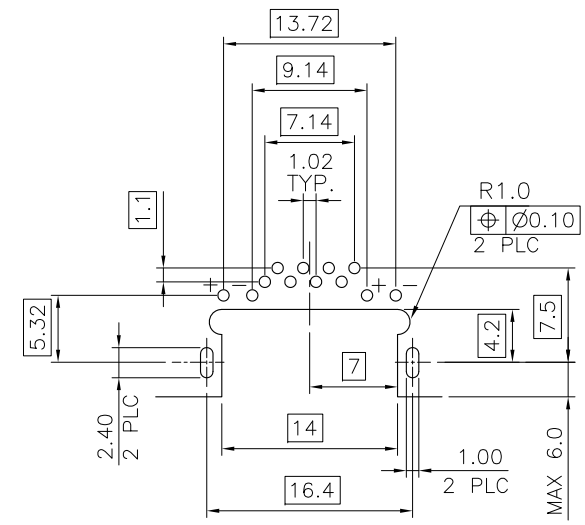
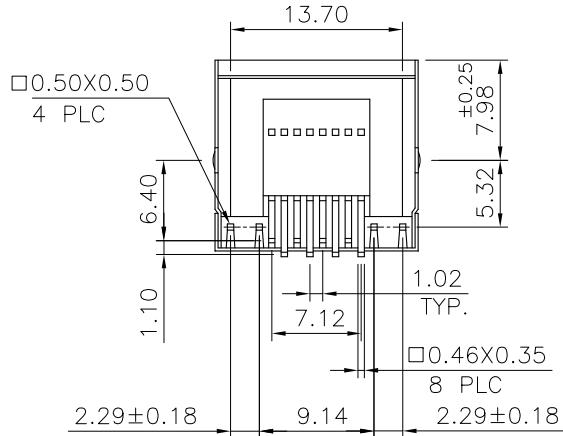
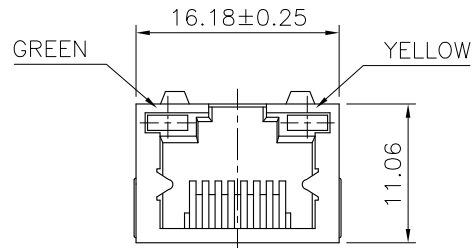
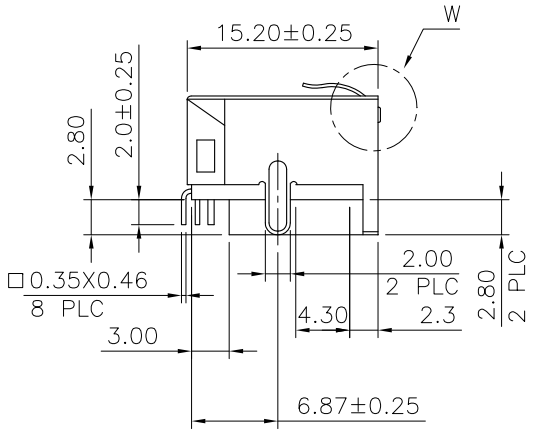
THIS DRAWING IS A CONTROLLED DOCUMENT.		DWN	O. HU	13DEC2005	TE Connectivity  MODULAR JACK, RJ45, SINGLE ENTRY, DIP TYPE			
DIMENSIONS: MM		CHK	S. HOU	13DEC2005				
TOLERANCES UNLESS OTHERWISE SPECIFIED:		APVD	W.J. KE	13DEC2005				
0 PLC ± 0.5 1 PLC ± 0.3 2 PLC ± 0.2 3 PLC ± 0.1 4 PLC ± 0.1 ANGLES ± - ± 3°		PRODUCT SPEC	108-57535					
MATERIAL	SEE NOTE	APPLICATION SPEC	-		SIZE	CAGE CODE	DRAWING NO	RESTRICTED TO
		WEIGHT	3 GRAMS		A3	00779	C=1734719	-
		CUSTOMER DRAWING			SCALE	-	SHEET	1 OF 4
								REV A2



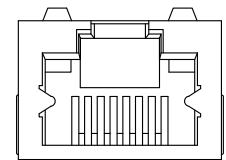
DETAIL W



TE LOGO & DATE CODE



RECOMMENDED PCB LAYOUT (THICKNESS: 1.6mm)  
 (DIMENSION TOLERANCE: 1 PLC: ±0.1 2PLC: ±0.05)



W/O LED LIGHT

PACKAGE	LED LIGHT	MIN. GOLD THICKNESS	PART NUMBER
OBSOLETE	REEL	W/O	50µ" 2-1734719-8
			30µ" 2-1734719-7
			15µ" 2-1734719-6
OBSOLETE	REEL	W/	6µ" 2-1734719-5
			50µ" 2-1734719-4
			30µ" 2-1734719-3
OBSOLETE	TRAY	W/O	50µ" 1-1734719-8
			30µ" 1-1734719-7
			15µ" 1-1734719-6
		W/	6µ" 1-1734719-1
			50µ" 1-1734719-5
			30µ" 1-1734719-4
OBSOLETE	TRAY	W/	15µ" 1-1734719-3
			6µ" 1-1734719-2
			15µ" 1-1734719-2
OBSOLETE	TRAY	W/	6µ" 1-1734719-1

- NOTE:
- MATERIAL:  
 HOUSING: THERMOPLASTIC HIGH TEMP., UL94V-0, COLOR: BLACK.  
 CONTACT: PHOSPHOR BRONZE, THICKNESS: 0.35mm.  
 SHELL: BRASS, THICKNESS: 0.20mm.
  - FINISH:  
 CONTACT: GOLD PLATED (SEE TABLE) IN CONTACT AREA,  
 GOLD FLASH ON SOLDER TAILS,  
 50u" MIN. NICKEL UNDER PLATED ALL OVER.  
 SHELL: 20u" MIN. NICKEL PLATED.
  - WAVE SOLDER CAPABLE TO 265°C PER TYCO SPEC 109-202,  
 CONDITION B.

THIS DRAWING IS A CONTROLLED DOCUMENT.

DIMENSIONS: MM	TOLERANCES UNLESS OTHERWISE SPECIFIED:	DWN -	CHK -	APVD -	NAME -
	0 PLC ± 0.5	PRODUCT SPEC -	APPLICATION SPEC -	WEIGHT -	SIZE A3
	1 PLC ± 0.3	2 PLC ± 0.2	3 PLC ± 0.1	4 PLC ± 0.1	CAGE CODE 00779
MATERIAL SEE NOTE	FINISH SEE NOTE	APVD -	PRODUCT SPEC -	APPLICATION SPEC -	DRAWING NO. C-1734719
		WEIGHT -	PRODUCT SPEC -	APPLICATION SPEC -	RESTRICTED TO -
		WEIGHT -	PRODUCT SPEC -	APPLICATION SPEC -	SCALE - SHEET 2 of 4 REV A2

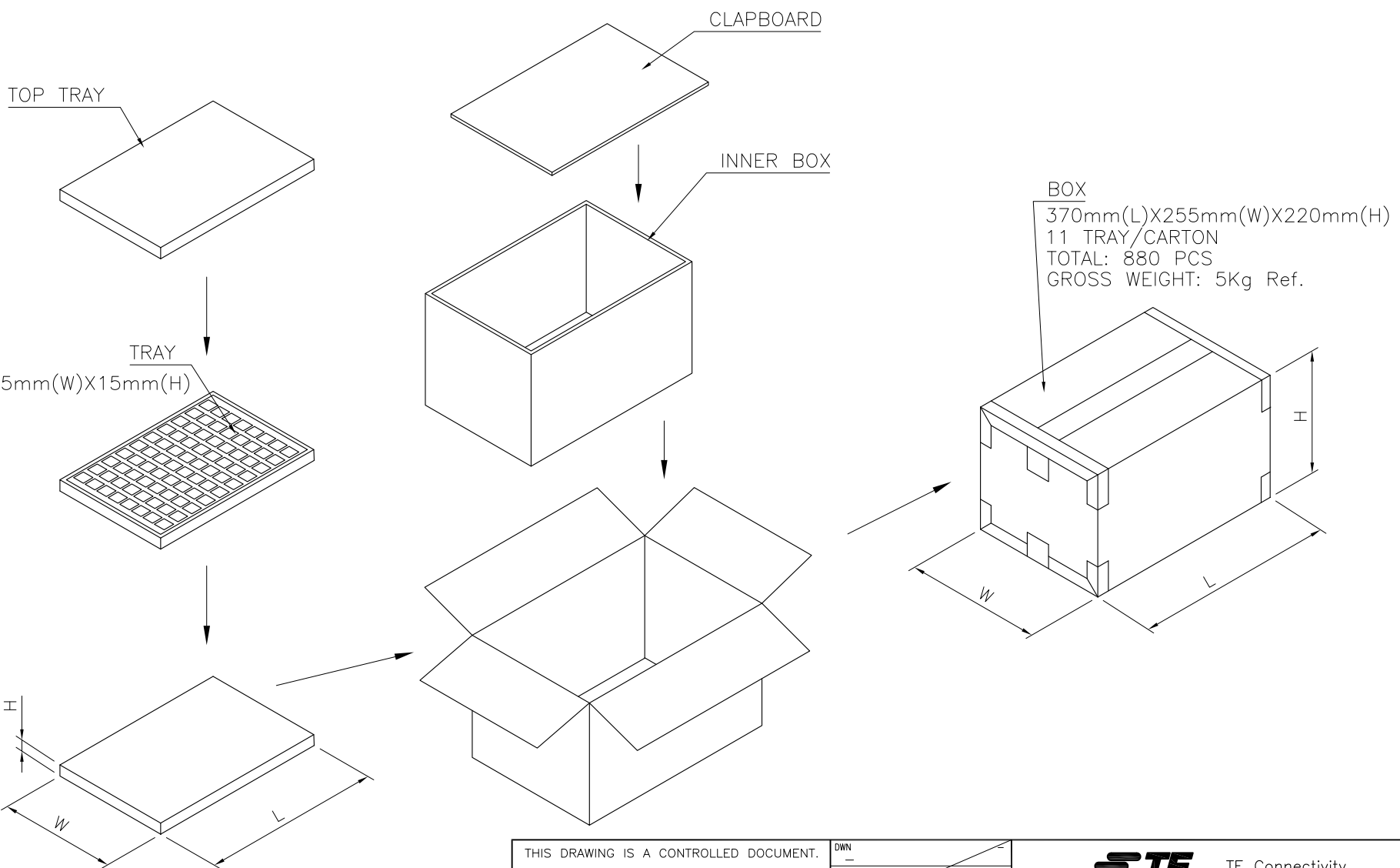
CUSTOMER DRAWING



MODULAR JACK, RJ45, SINGLE ENTRY, DIP TYPE

THIS DRAWING IS UNPUBLISHED. RELEASED FOR PUBLICATION  
 © COPYRIGHT 2013 BY TE CONNECTIVITY. ALL RIGHTS RESERVED.

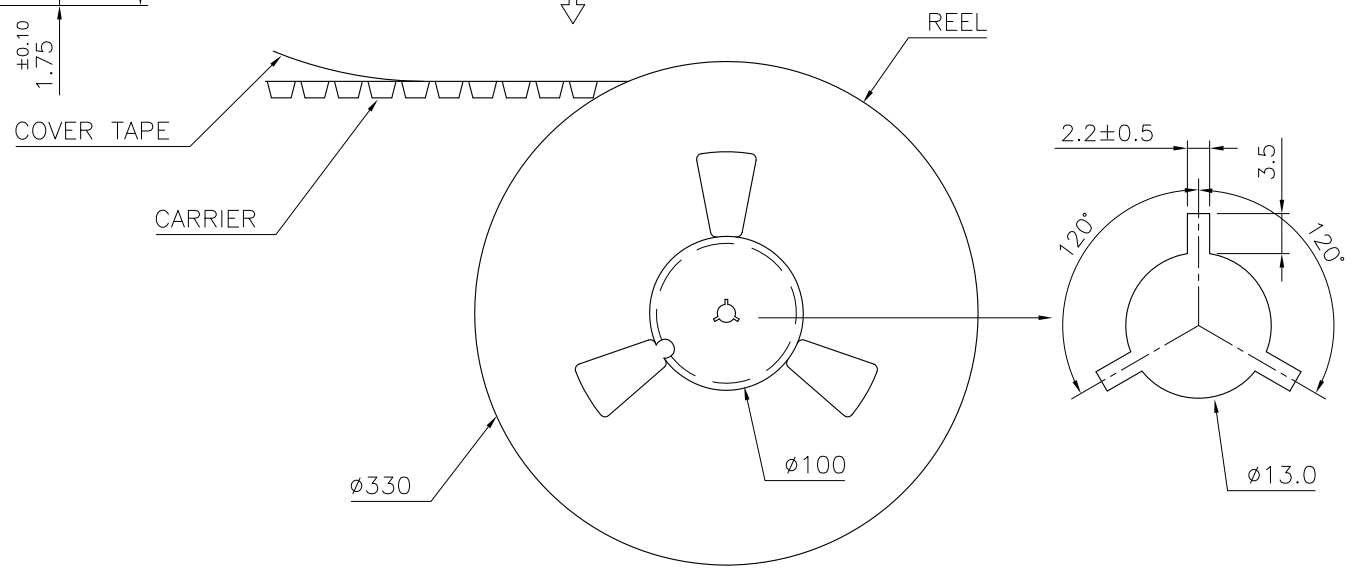
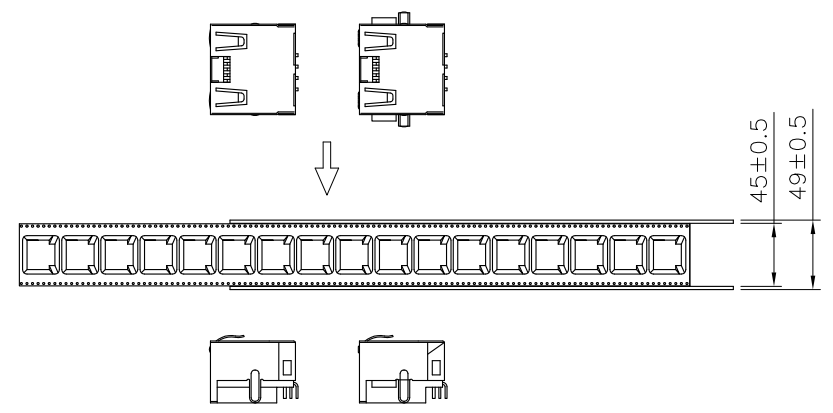
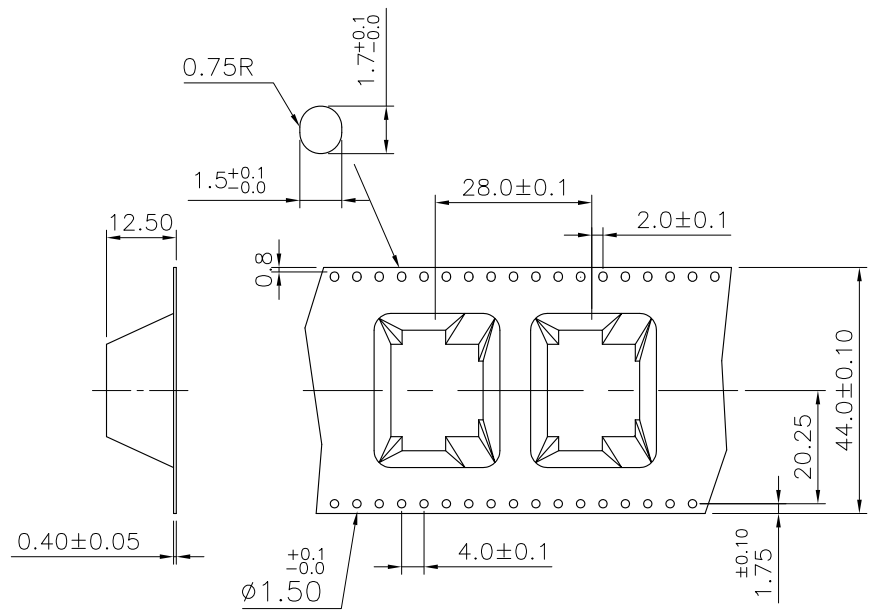
LOC	DIST	REVISIONS					
DW	-	P	LTR	DESCRIPTION	DATE	DWN	APVD
				SEE SHEET 1			



THIS DRAWING IS A CONTROLLED DOCUMENT.		DWN	-	TE Connectivity MODULAR JACK, RJ45, SINGLE ENTRY, DIP TYPE		
DIMENSIONS: MM		CHK	-			NAME
TOLERANCES UNLESS OTHERWISE SPECIFIED:		APVD	-			PRODUCT SPEC
0 PLC ± - 1 PLC ± - 2 PLC ± - 3 PLC ± - 4 PLC ± - ANGLES ± -		APPLICATION SPEC	-			SIZE
MATERIAL		WEIGHT	-	CAGE CODE	00779	
FINISH		CUSTOMER DRAWING		DRAWING NO	C=1734719	
		SCALE		RESTRICTED TO	-	
		SHEET		3 of 4		
		REV		A2		

THIS DRAWING IS UNPUBLISHED. RELEASED FOR PUBLICATION  
 © COPYRIGHT 2013 BY TE CONNECTIVITY. ALL RIGHTS RESERVED.

LOC	DW	DIST	-	REVISIONS			DATE	DWN	APVD
P	LTR	DESCRIPTION			DATE	DWN	APVD		
		SEE SHEET 1							



- NOTES:
- A. THE DIRECTION OF JACKS PUT INTO CARRIER.
  - B. 10 EMPTY CAVITIES FOR BOTH OF TOP AND BOTTOM OF THE CARRIER.
  - C. 200 PCS PRODUCTS BE PACKAGED ONE REEL.
  - D. BOX SIZE: 345(L)X345(W)X315(H)  
6 REEL/BOX  
TOTAL: 1200 PCS

THIS DRAWING IS A CONTROLLED DOCUMENT.		DWN	-	TE Connectivity		
DIMENSIONS: MM		CHK	-			
TOLERANCES UNLESS OTHERWISE SPECIFIED:		APVD	-	NAME		
0 PLC ± -		PRODUCT SPEC		MODULAR JACK, RJ45, SINGLE ENTRY, DIP TYPE		
1 PLC ± -		APPLICATION SPEC		SIZE	CAGE CODE	DRAWING NO
2 PLC ± -		WEIGHT		A3	00779	©-1734719
3 PLC ± -		CUSTOMER DRAWING		SCALE	SHEET	REV
4 PLC ± -				-	4 of 4	A2
ANGLES ± -						
FINISH						