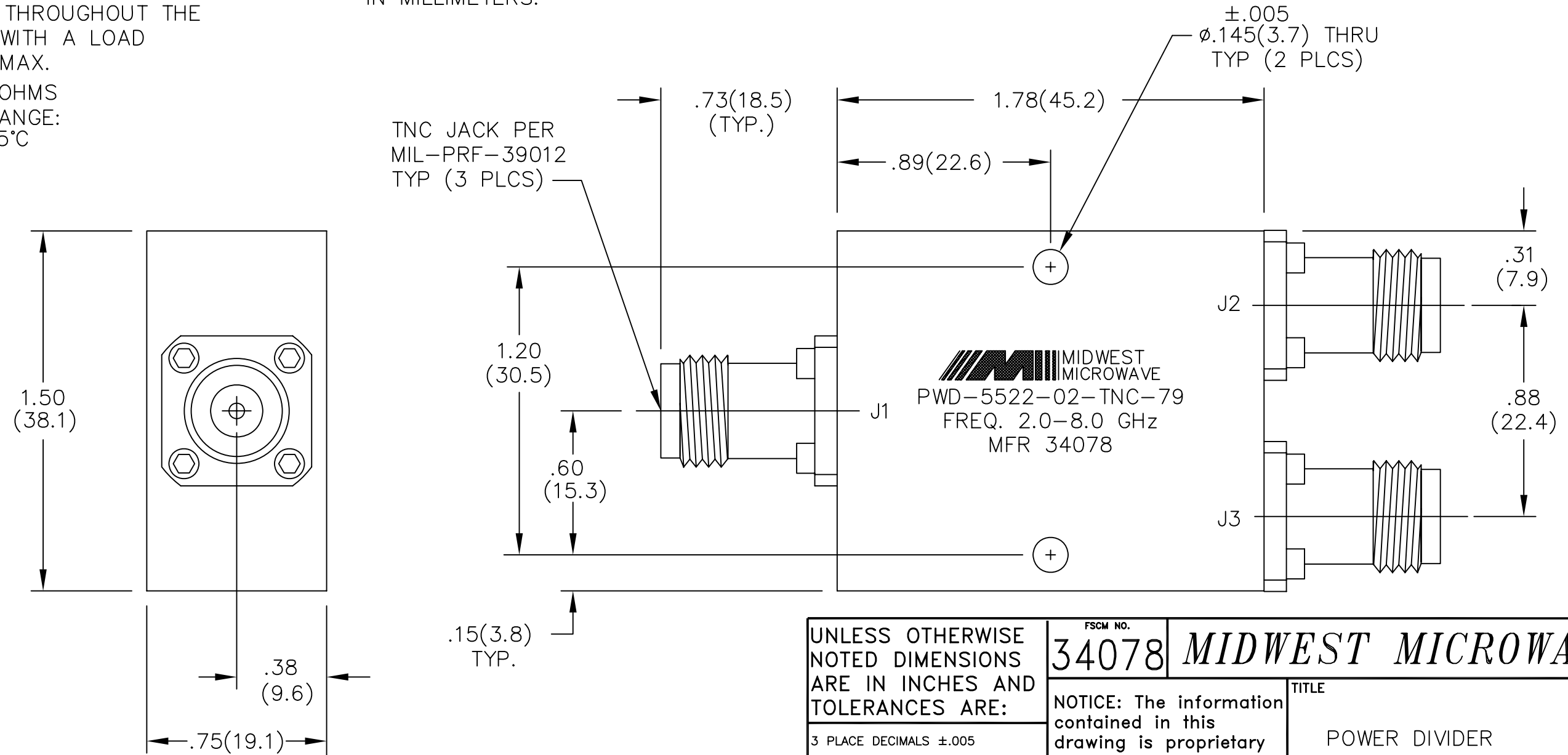


NOTES:

- 1.0 ELECTRICAL SPECIFICATIONS:
 1.1 FREQUENCY RANGE: 2.0 to 8.0 GHz
 1.2 INSERTION LOSS: 1.0dB MAX.
 1.3 ISOLATION: 15dB MIN.
 1.4 VSWR (MAX): 1.80:1
 1.5 OUTPUT UNBALANCE:
 AMPLITUDE: 0.40dB MAX.
 PHASE: 10° MAX.
 1.6 MAX. INPUT POWER:
 10 WATTS CW THROUGHOUT THE
 FREQ. RANGE WITH A LOAD
 VSWR OF 2:1 MAX.
 1.7 IMPEDANCE: 50 OHMS
 1.8 TEMPERATURE RANGE:
 -65°C to +125°C

- 2.0 FINISHING:
 2.1 GREY PER MIL-E-15090 TYPE II, CLASS 2
 OVER MIL-C-5541 CLASS 3A
 MEETS MIL-F-14072
 MEETS MIL-E-5400
 2.2 MARKING: MARK UNIT AS SHOWN
 (REF.: SLK-08921-84-04) USING BLUE INK
 3.0 DIMENSIONS IN PARENTHESIS ARE
 IN MILLIMETERS.



UNLESS OTHERWISE NOTED DIMENSIONS ARE IN INCHES AND TOLERANCES ARE:		FSCM NO. 34078		MIDWEST MICROWAVE	
3 PLACE DECIMALS ±.005 2 PLACE DECIMALS ±.02 FRACTIONS ±1/64 PARALLELITY: T.I.R. _____ FLATNESS: T.I.R. _____ CONCENTRICITY: T.I.R. _____ ANGLES AND PERPENDICULARITY: ±1°		NOTICE: The information contained in this drawing is proprietary and must not be used without the permission of Midwest Microwave		TITLE POWER DIVIDER	
DRAWN/DATE L.BROWN 3/19/99		ENG./DATE P.GOODMAN 3/29/99		DRAWING NUMBER PWD-5522-02-TNC-79	
CHECKED/DATE		APPROVED/DATE		SCALE: 2=1 SHEET 1 of 1	

REV.	DESCRIPTION	DATE
-	RELEASED	3/30/99
-1	ADDED TITLEBLOCK	7/19/05