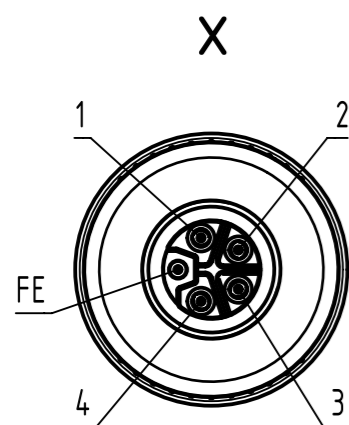
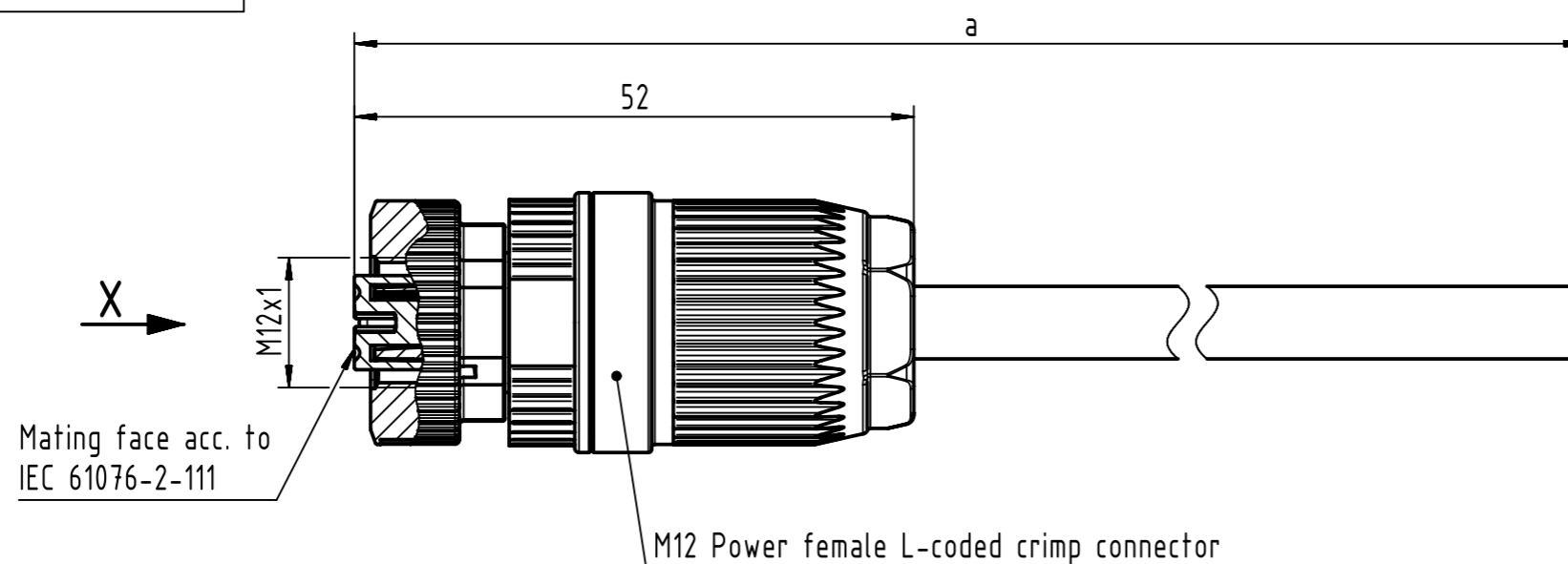


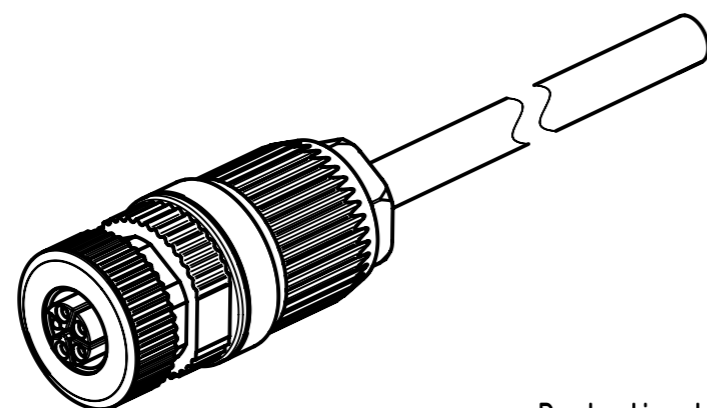
Connector Location A

Connector Location B



Loading-Plan:

- 1 wire 1
- 2 wire 2
- 3 wire 3
- 4 wire 4
- FE wire 5



- Protection level: IP65/67
- Temperature range: -40°C ... +80°C

length in "1m" step	100	XXX=000
	99	XXX=990
	.	.
	12	XXX=120
	11	XXX=110
length in "0.1m" step	10	XXX=100
	9.9	XXX=099
	9.8	XXX=098
	.	.
	.	.
	0.5	XXX=005
	0.4	XXX=004
	0.3	XXX=003
	0.2	XXX=002
Step	a[m]	XXX

6.0 to 100	±1%
0.6 to 5.9	+0.04
0.2 to 0.5	+0.02
a [m]	Tolerance

OZ-500, PVC grey, 5x1,5mm ²	2133A700523XXX
Type of cable	Part no.

	All rights reserved	Created by COSTEA	Inspected by MUNTEANV	Standardisation AVRAM	Date 2016-09-08	State Final Release	According to production drawing 2016-09-07
	Department HCS - RO	Title M12 L-coded Cable Assembly				Doc-Key / ECM-Nr. 100689087/UGD/001/A 500000108685	
HARTING Customised Solutions D-32427 Minden		Type TB	Number 2133A700523XXX			Rev. A	Page 1/1