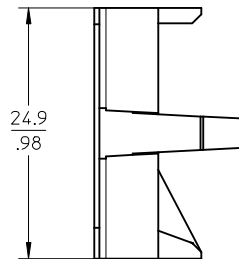
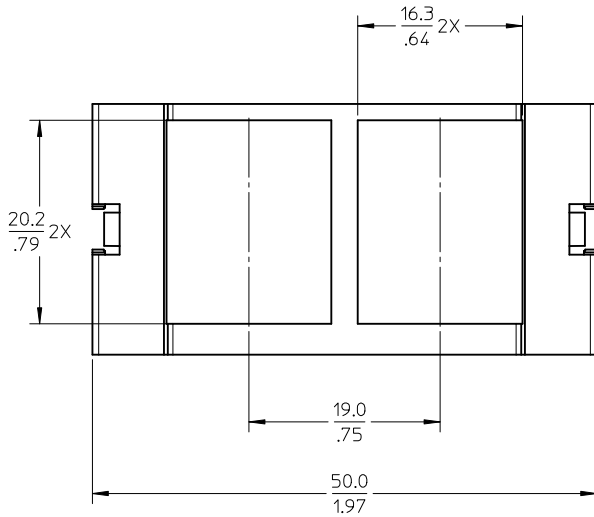
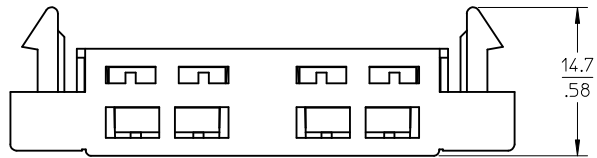
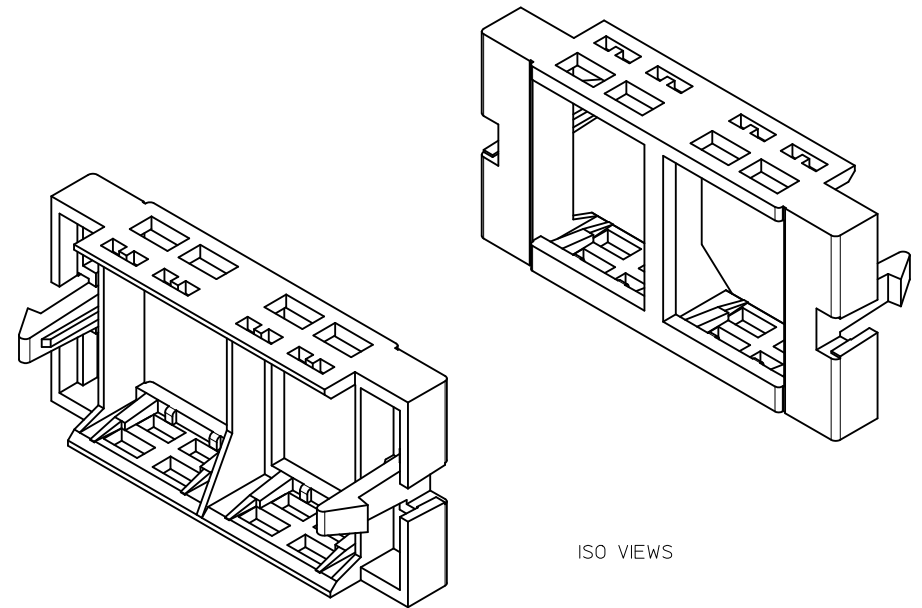


10 9 8 7 6 5 4 3 2 1



NOTES:

1. MATERIAL: POLYCARBONATE/ACRYLONITRILE-BUTADIENE-STYRENE (PC/ABS)
2. PACKAGING : 10 NUMBERS OF MODULES ARE PACKED IN A BAG.



ISO VIEWS

PART NUMBER CHART		
MPN NO.	SAP NO.	COLOR
MUS-00097-01	180070051	ALMOND
MUS-00097-02	180070052	WHITE
MUS-00097-04	180070054	BLACK
MUS-00097-08	180070053	GREY

ENTER DESCRIPTION EC NO: MT S2010-0170 DRWN:PS03 CHKD:JKUMAR APPR:JKUMAR	2010/06/01 2010/06/01 2010/06/16	DESCRIPTION A	QUALITY SYMBOLS ▽=0 ◻=0	GENERAL TOLERANCES (UNLESS SPECIFIED)		DIMENSION STYLE MM/IN		SCALE 2:1	DESIGN UNITS METRIC	THIRD ANGLE PROJECTION			
					mm	INCH	DRAWN BY	DATE	TITLE				
				4 PLACES	±---	±---	PS03	2010/06/01	USOII 1U 2 PORT FASCIA - 10/ BAG				
				3 PLACES	±---	±---	CHECKED BY	DATE	MOLEX INCORPORATED				
2 PLACES	±---	±.020	JKUMAR	2010/06/01	MATERIAL NO.								
1 PLACE	±0.51	±---	APPROVED BY	DATE	DOCUMENT NO.								
ANGULAR ±---°				JKUMAR	2010/06/16	SEE CHART		SD-18007-005		SHEET NO.			
DRAFT WHERE APPLICABLE MUST REMAIN WITHIN DIMENSIONS				SIZE	THIS DRAWING CONTAINS INFORMATION THAT IS PROPRIETARY TO MOLEX INCORPORATED AND SHOULD NOT BE USED WITHOUT WRITTEN PERMISSION								
A				A3									

9 8 7 6 5 4 3 2 1