

# Board Level Cooling – Square Basket 5690



## BOARD LEVEL COOLING – Square Basket 5690

Square Basket 5690 is a series of square basket board level heat sinks designed to cool LED, TO-3, and TO-220 devices. Representative image only.

## ORDERING INFORMATION

Part Number	Device Type
569000B00000G	LED
569003B00000G	TO-3
569022B00000G	TO-220



## HEAT SINK DETAILS

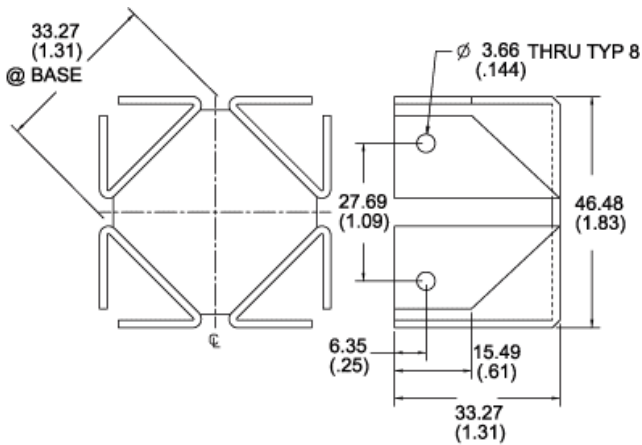
Property	Details
Material	Aluminum
Finish	Black Anodize
Device Attachment Options	Requires Mounting Kit
Thermal Interface Material	-

Property	Details
Heat Sink Width (mm)	46.48
Heat Sink Length (mm)	46.48
Heat Sink Height (mm)	33.27
Heat Sink Mounting Direction	Horizontal

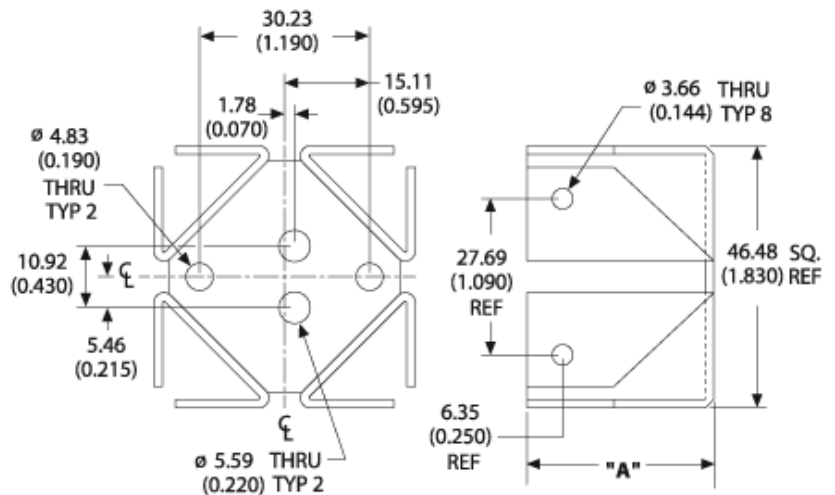
## MECHANICAL & PERFORMANCE

Drawing dimensions are shown in mm, (in)

Part Number 569000B00000G



Part Number: 569003B00000G



# Board Level Cooling – Square Basket 5690

Part Number: 569022B00000G

