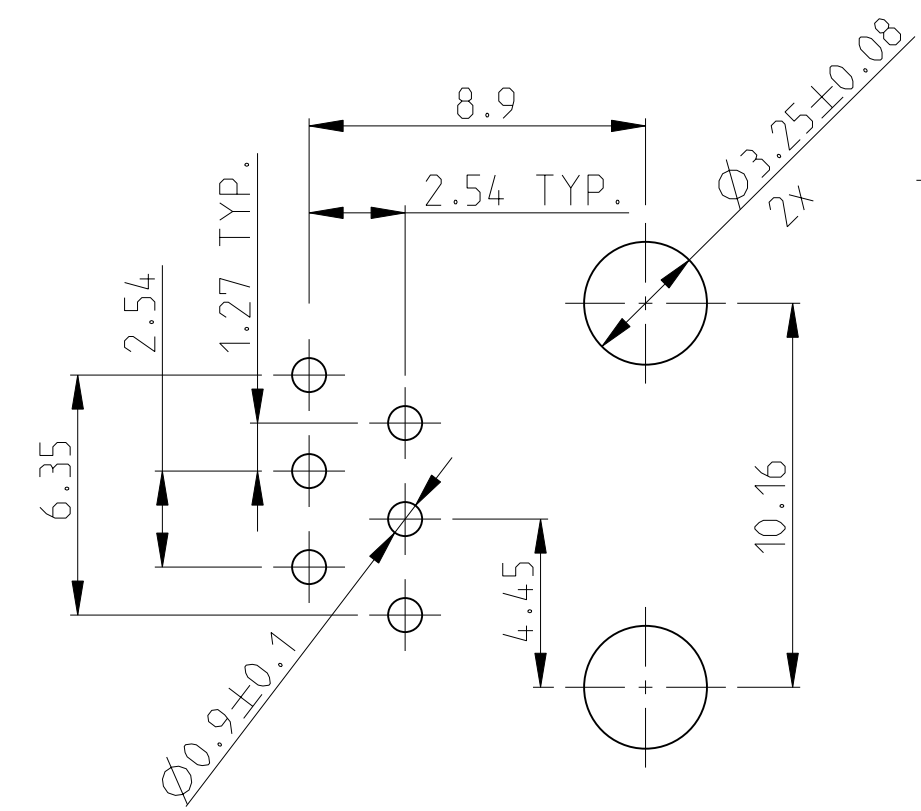
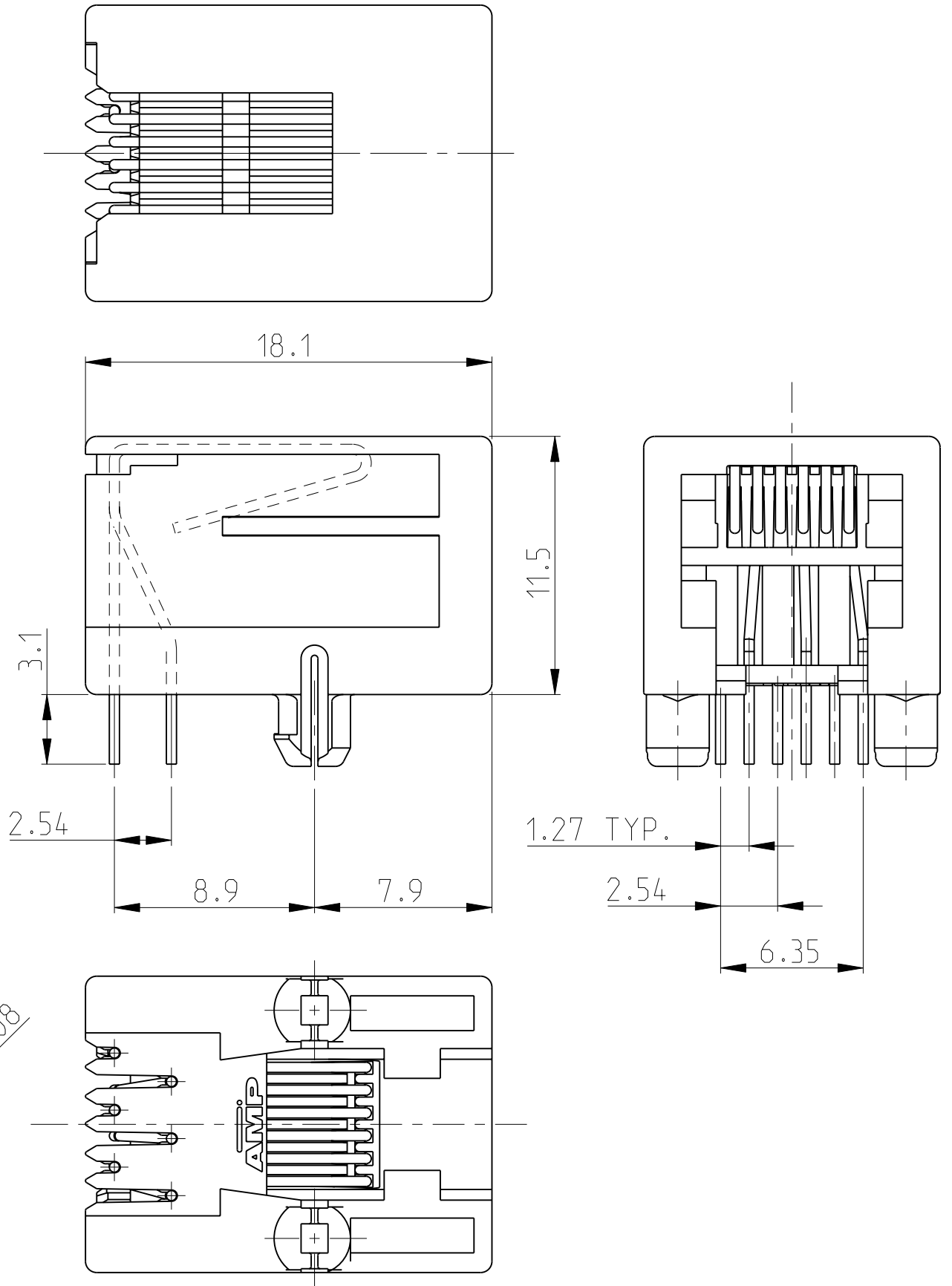
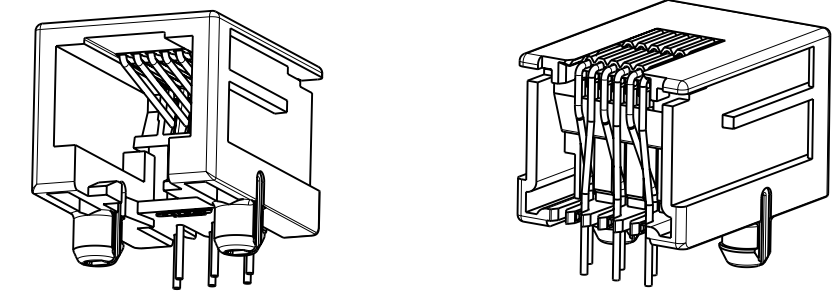


THIS DRAWING IS UNPUBLISHED. RELEASED FOR PUBLICATION 2000
 © COPYRIGHT 2000 ALL RIGHTS RESERVED.

LOC	DIST	REVISIONS					
		P	LTR	DESCRIPTION	DATE	DWN	APVD
IR	-	AA		ECR-10-020218	28DEC2010	PS	RRP
		AA1		ECR-10-026537	08AUG11	KK	HMR

- 1 SEE SHEET 2 FOR MODULAR JACK 6 POS./4 CONTACTS
- 2 FOR APPLICATION INFORMATION SEE SPEC. 114-19019.
- 3 FOR PERFORMANCE REQUIREMENTS SEE SPEC. 108-19064.
- 4 TOLERANCES UNLESS OTHERWISE SPECIFIED: ± 0,15mm.

⚠ TRUE POSITIONING WILL NOT BE GUARANTEED USING THIS PACKAGING TYPE.



PRINTED CIRCUIT BOARD LAYOUT (6 POS./6 CONTACTS)
 [VIEW SHOWN IS CIRCUIT (NON-COMPONENT) SIDE OF BOARD]
 PRINTED CIRCUIT BOARD THICKNESS: 1,6mm NOMINAL.
 TOLERANCES UNLESS OTHERWISE SPECIFIED: ± 0,05

PACKAGING	REMARKS	FINISH	MATERIAL	P/N
TAPE MOUNTED 800 PCS/REEL			HOUSING COLOR BLACK	2-215876-3
BULK PACKED 1000 PCS IN A BOX ⚠			HOUSING AND CONTACT INSERT: UL 94-V0	2-215876-1
240 PIECES IN A TRAY	6 POS./ 6 CONTACTS	OVERALL: Ni 1.27 µm MIN. ALL OVER THE CONTACTS	HOUSING PA 4.6 CONTACT INSERT: PCT	OBSOLETE 2-215876-0
BULK PACKED 1000 PCS IN A BOX ⚠		SOLDER ZONE: Sn 2.5 µm MIN. ON THE SOLDER ZONE OF THE CONTACT		3-215876-1
240 PIECES IN A TRAY		MATING ZONE: PLATING CONFIRMS TO PRODUCT REQUIREMENTS AS PER SPECIFICATION 108-19064	HOUSING COLOR BLACK PBT, UL 94 V-0	1-215876-3
108 PCS IN A MULTI-TUBE	SUPERSEDED BY 1-215876-3		CONTACT INSERT: PBT, UL 94 V-0	1-215876-4
TAPE MOUNTED 800 PCS/REEL	6 POS./ 6 CONTACTS		CONTACTS: PH-BRONZE	215876-1

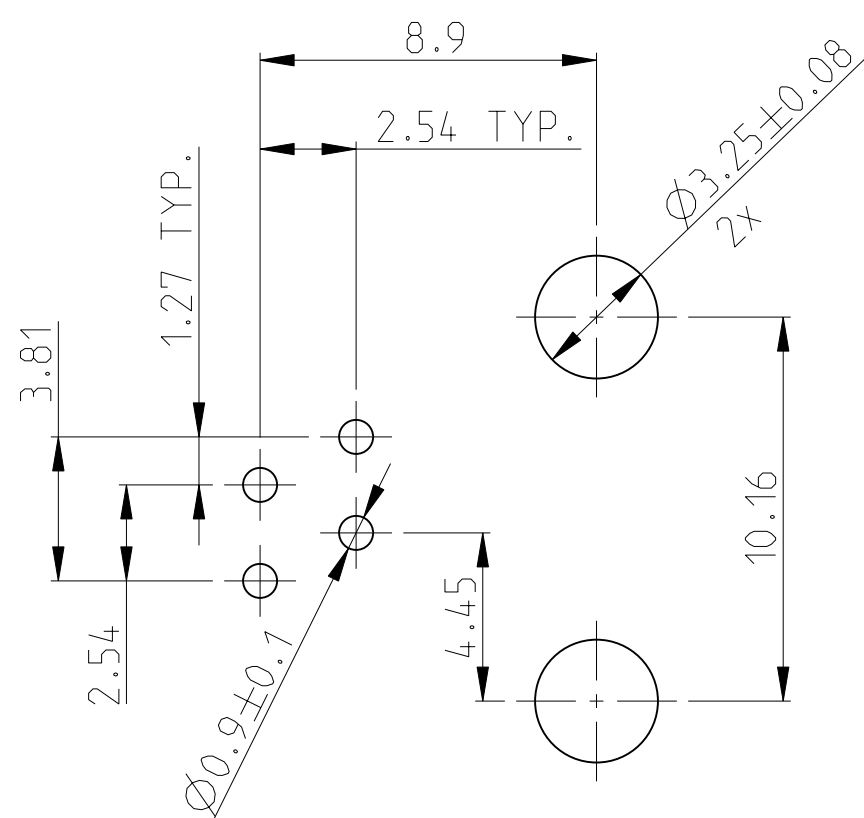
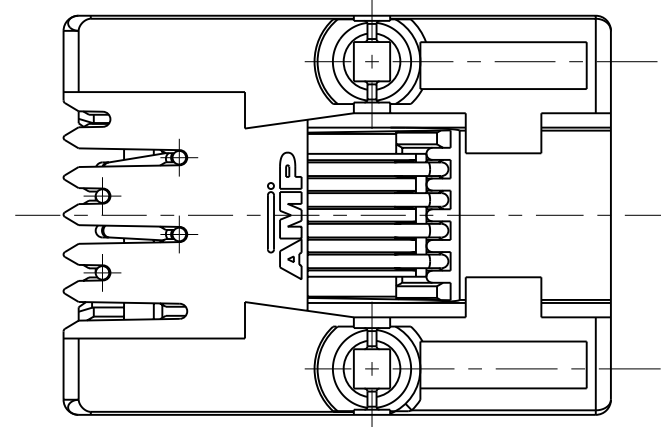
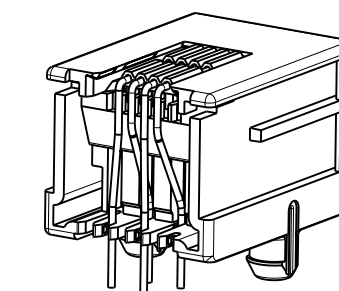
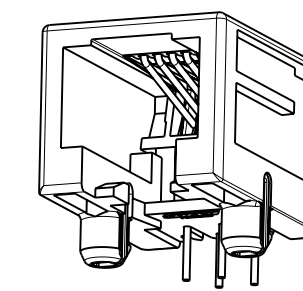
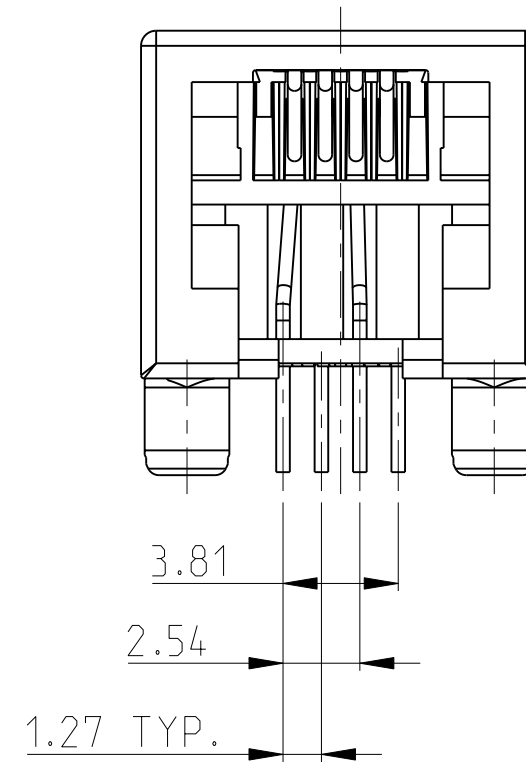
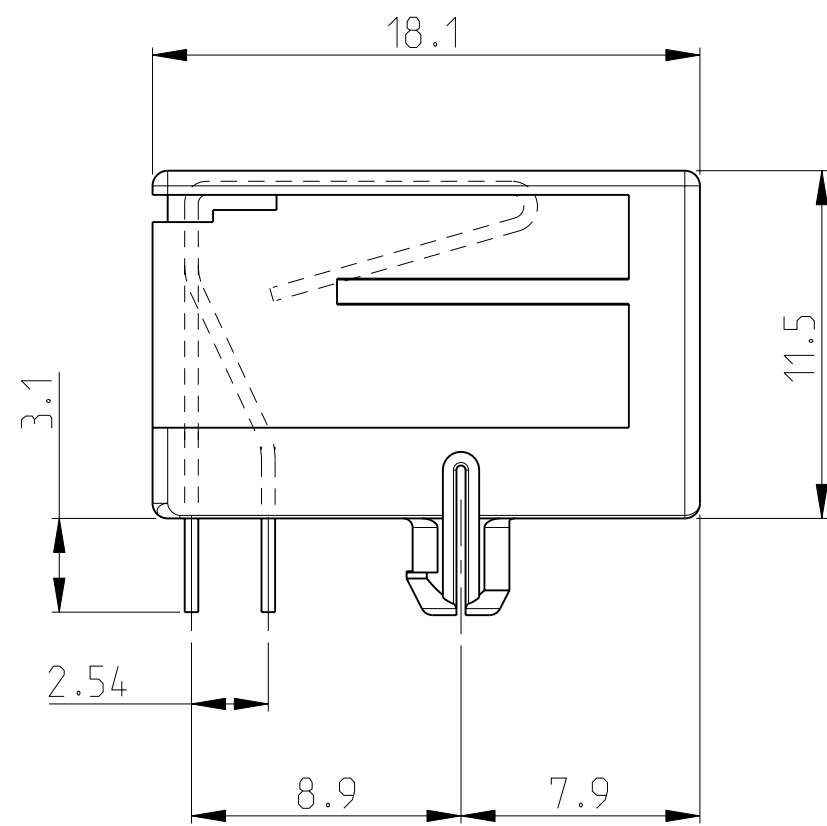
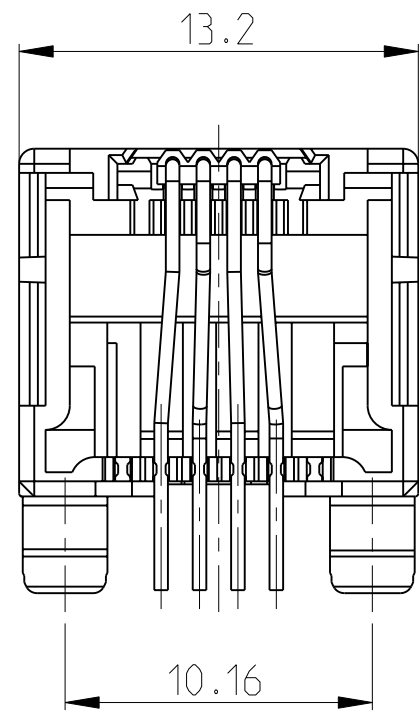
THIS DRAWING IS A CONTROLLED DOCUMENT.

DWN G.CONSTANT 24 SEP 96	TE Connectivity NAME MODULAR JACK, SIDE ENTRY, 6/6 FOR PRINTED CIRCUIT BOARD SIZE A2 CAGE CODE DRAWING NO RESTRICTED TO C=215876 SCALE 4:1 SHEET 1 OF 4 REV AA1
CHK G.CONSTANT 24 SEP 96	
APVD R.SMEETS	
PRODUCT SPEC 108-19064	
MATERIAL	APPLICATION SPEC 114-19019
TOLERANCES UNLESS OTHERWISE SPECIFIED:	WEIGHT
0 PLC ±	CUSTOMER DRAWING
1 PLC ±	
2 PLC ±	
3 PLC ±	
4 PLC ±	
ANGLES ±	
FINISH -	

THIS DRAWING IS UNPUBLISHED. RELEASED FOR PUBLICATION 2000
 © COPYRIGHT 2000 ALL RIGHTS RESERVED.

LOC	DIST	REVISIONS					
IR	-	P	LTR	DESCRIPTION	DATE	DWN	APVD
		-		SEE SHEET 1	-	-	-

- 1 SEE SHEET 1 FOR MODULAR JACK 6 POS./6 CONTACTS.
- 2 FOR APPLICATION INFORMATION SEE SPEC. 114-19019.
- 3 FOR PERFORMANCE REQUIREMENT SEE SPEC. 108-19064.
- 4 TOLERANCES UNLESS OTHERWISE SPECIFIED: ±0,15.



PRINTED CIRCUIT BOARD LAYOUT (6 POS./4 CONTACT)

[VIEW SHOWN IS CIRCUIT (NON-COMPONENT) SIDE OF BOARD]
 PRINTED CIRCUIT BOARD THICKNESS: 1,6mm NOMINAL.
 TOLERANCES UNLESS OTHERWISE SPECIFIED: ± 0,05.

TAPE MOUNTED 800 PCS/REEL	6 POS./ 4 CONTACTS	OVERALL: Ni 1.27 µm MIN. ALL OVER THE CONTACTS SOLDER ZONE: Sn 2.5 µm MIN. ON THE SOLDER ZONE OF THE CONTACT MATING ZONE: PLATING CONFIRMS TO PRODUCT REQUIREMENTS AS PER SPECIFICATION 108-19064	HOUSING COLOR BLACK: PBT, UL 94 V-0 CONTACT INSERT: PBT, UL 94 V-0 CONTACTS: Ph-BRONZE	215876-2
	SUPERSEDED BY 215876-2			1-215876-2
PACKAGING	REMARKS	FINISH	MATERIAL	P/N

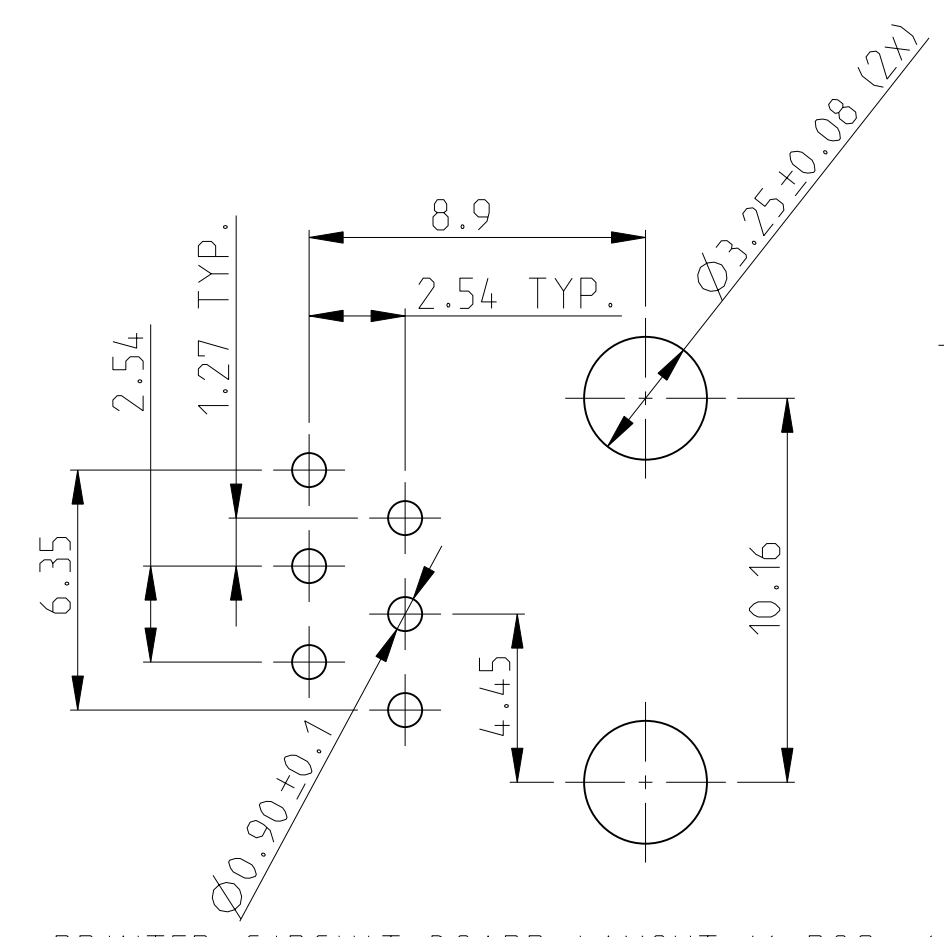
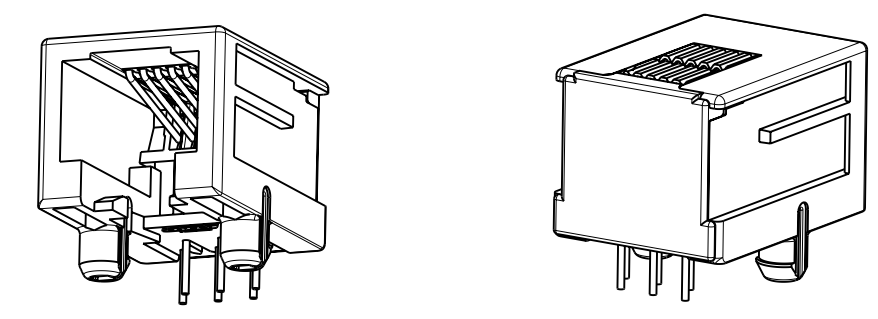
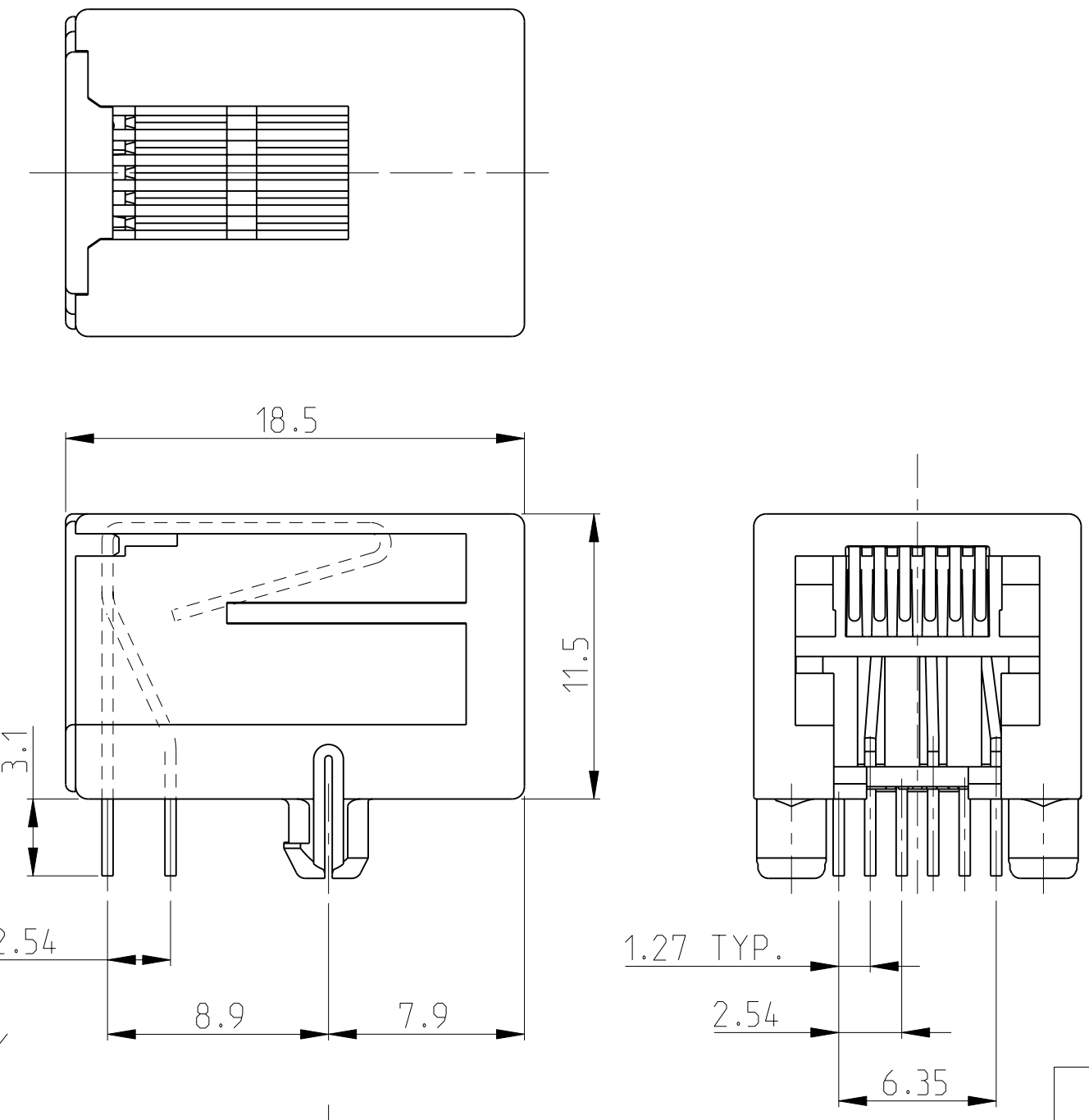
THIS DRAWING IS A CONTROLLED DOCUMENT.		DWN G.CONSTANT 24 SEP 96	STE TE Connectivity	
		CHK G.CONSTANT 24 SEP 96		
DIMENSIONS: mm		APVD R.SMEETS -	NAME MODULAR JACK, SIDE ENTRY, 6/4 FOR PRINTED CIRCUIT BOARD	
TOLERANCES UNLESS OTHERWISE SPECIFIED:		PRODUCT SPEC 108-19064	SIZE A2	
0 PLC ±		APPLICATION SPEC 114-19019	CAGE CODE	
1 PLC ±		WEIGHT -	DRAWING NO C-215876	
2 PLC ±		CUSTOMER DRAWING	RESTRICTED TO -	
3 PLC ±		SCALE 4:1	SHEET 2 OF 4	
4 PLC ±			REV AA1	
ANGLES ±				
FINISH -				

THIS DRAWING IS UNPUBLISHED. RELEASED FOR PUBLICATION 2000
 © COPYRIGHT 2000 ALL RIGHTS RESERVED.

LOC	DIST	REVISIONS			
P	LTR	DESCRIPTION	DATE	DWN	APVD
-	-	SEE SHEET 1	-	-	-
-	-				

- SEE SHEET 4 FOR MODULAR JACK 6 POS./4 CONTACTS WITH CONTACT COVER.
- FOR APPLICATION INFORMATION SEE SPEC. 114-19019.
- FOR PERFORMANCE REQUIREMENTS SEE SPEC. 108-19064.
- TOLERANCES UNLESS OTHERWISE SPECIFIED: ± 0,15mm.

TRUE POSITIONING WILL NOT BE GUARANTEED USING THIS PACKAGING TYPE.



PRINTED CIRCUIT BOARD LAYOUT (6 POS./6 CONTACTS)
 [VIEW SHOWN IS CIRCUIT (NON-COMPONENT) SIDE OF BOARD]
 PRINTED CIRCUIT BOARD THICKNESS: 1,6mm NOMINAL.
 TOLERANCES UNLESS OTHERWISE SPECIFIED: ± 0,05

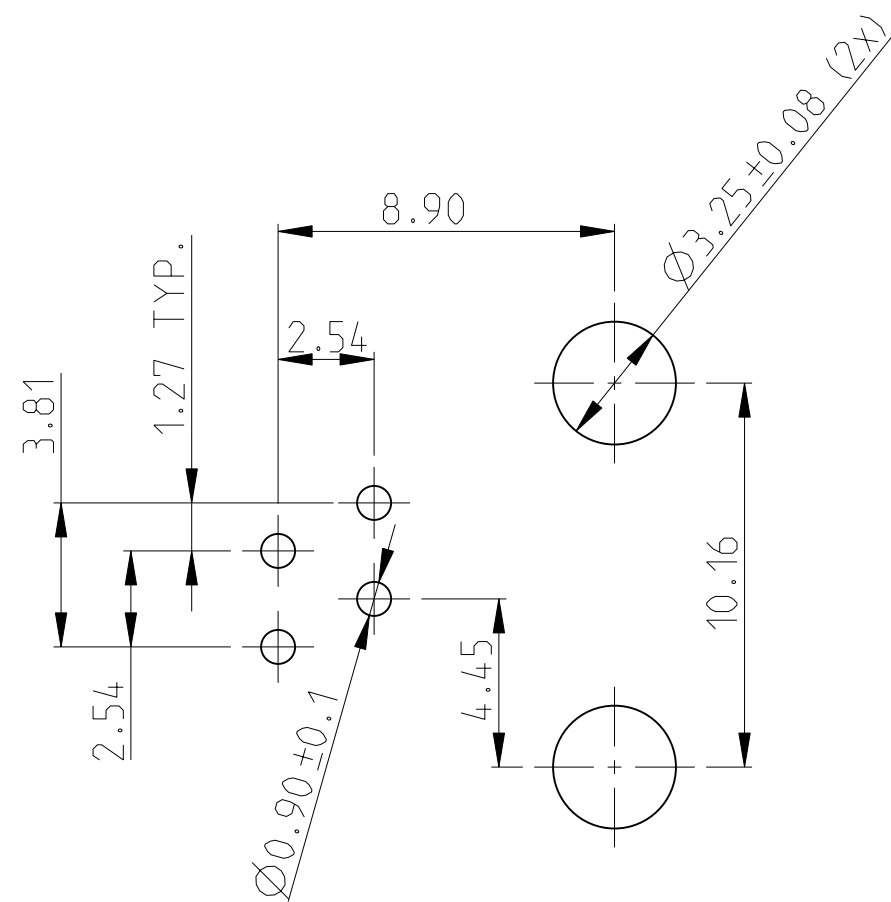
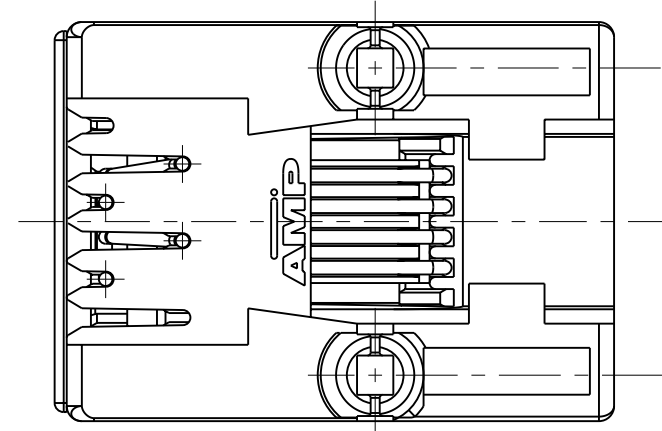
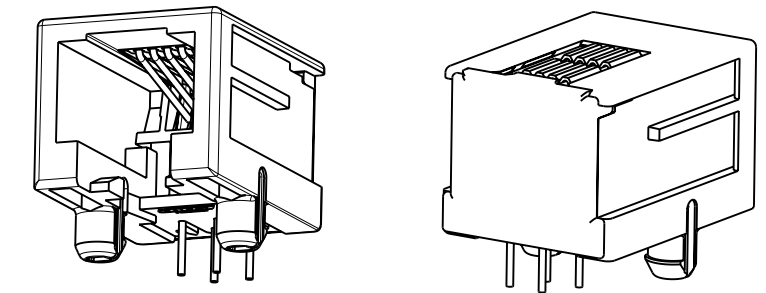
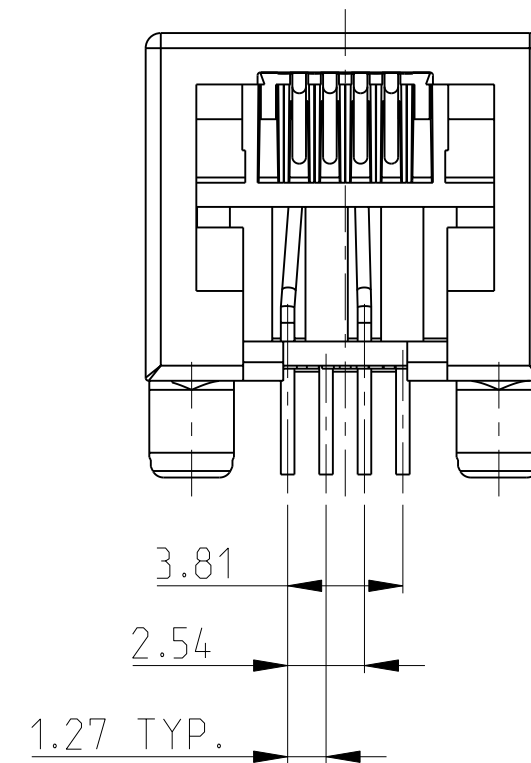
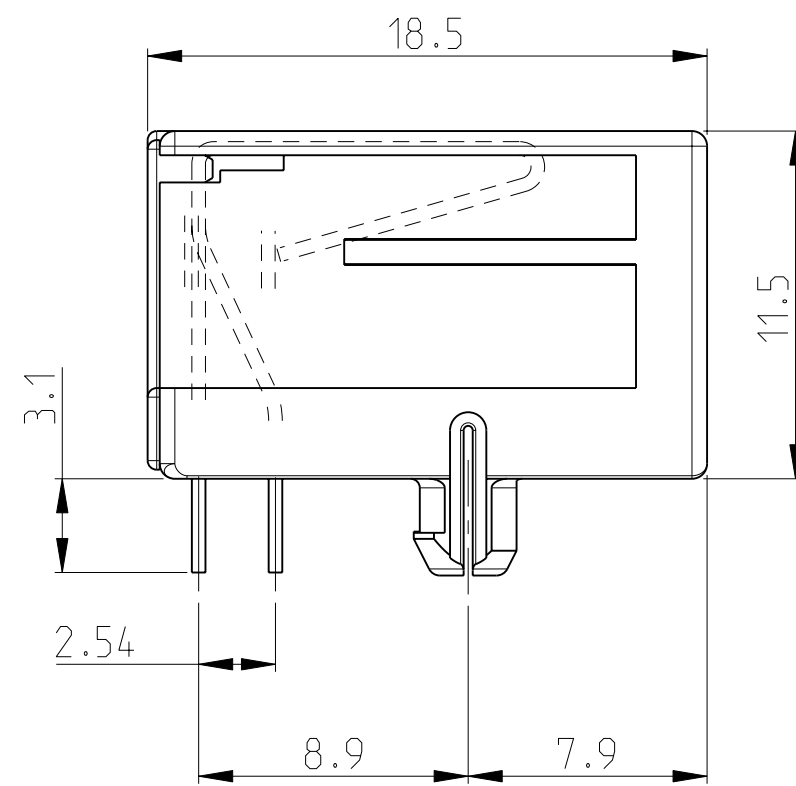
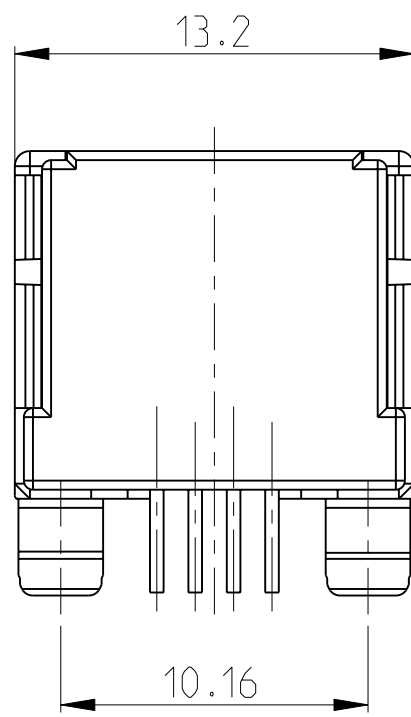
PACKAGING	REMARKS	FINISH	MATERIAL	P/N
OBSOLETE BULK PACKED 1000 PCS IN A BOX 5			HOUSING COLOR BLACK PBT, UL94 V-0	5-215876-4
OBSOLETE 240 PIECES IN A TRAY	6 POS./ 6 CONTACTS	IN CONTACT AREA: 1,2 µm MIN. SEL. GOLD OVER 1,2 µm MIN. NICKEL	CONTACT INSERT: PBT, UL94 V-0	5-215876-3
OBSOLETE TAPE MOUNTED 800 PCS/REEL		SOLDER TINES: 2,5 µm MIN. TIN OVER 1,2 µm MIN. NICKEL	CONTACT COVER: PBT, UL94 V-0	5-215876-1
			CONTACTS: PHI-BRONZE	

THIS DRAWING IS A CONTROLLED DOCUMENT.		DWN P.Willems 10-OCT-05	TE Connectivity	
		CHK P.Willems 10-OCT-05		
		APVD J.Broeksteeg 10-OCT-05	NAME MODULAR JACK, SIDE ENTRY, 6/6 FOR PRINTED CIRCUIT BOARD WITH CONTACT COVER	
DIMENSIONS: mm		PRODUCT SPEC 108-19064	SIZE A2	CAGE CODE C-215876
TOLERANCES UNLESS OTHERWISE SPECIFIED:		APPLICATION SPEC 114-19019	DRAWING NO C-215876	RESTRICTED TO -
MATERIAL -		FINISH -	WEIGHT -	SCALE 4:1
		CUSTOMER DRAWING		SHEET 3 OF 4
				REV AA1

THIS DRAWING IS UNPUBLISHED. RELEASED FOR PUBLICATION 2000
 © COPYRIGHT 2000 ALL RIGHTS RESERVED.

LOC	DIST	REVISIONS			
P	LTR	DESCRIPTION	DATE	DWN	APVD
		SEE SHEET 1	-	-	-

- 1 SEE SHEET 3 FOR MODULAR JACK 6 POS./6 CONTACTS WITH CONTACT COVER.
- 2 FOR APPLICATION INFORMATION SEE SPEC. 114-19019.
- 3 FOR PERFORMANCE REQUIREMENT SEE SPEC. 108-19064.
- 4 TOLERANCES UNLESS OTHERWISE SPECIFIED: ±0,15.



PRINTED CIRCUIT BOARD LAYOUT (6 POS./4 CONTACT)

[VIEW SHOWN IS CIRCUIT (NON-COMPONENT) SIDE OF BOARD]
 PRINTED CIRCUIT BOARD THICKNESS: 1,6mm NOMINAL.
 TOLERANCES UNLESS OTHERWISE SPECIFIED: ± 0,05.

OBSOLETE

TAPE MOUNTED 800 PCS/REEL	6 POS./ 4 CONTACTS	IN CONTACT AREA: 1,2 µm MIN. SEL. GOLD OVER 1,2 µm MIN. NICKEL	HOUSING COLOR BLACK PBT, UL94 V-0	5-215876-2
		SOLDER TINES: 2,5 µm MIN. TIN OVER 1,2 µm MIN. NICKEL	CONTACT INSERT: PBT, UL94 V-0	
PACKAGING	REMARKS	FINISH	CONTACT COVER: PBT, UL94 V-0	
			CONTACTS: PH-BRONZE	
			MATERIAL	P/N

THIS DRAWING IS A CONTROLLED DOCUMENT.		DWN P.Willems 10-OCT-05	STE TE Connectivity	
DIMENSIONS: mm		CHK P.Willems 10-OCT-05		
TOLERANCES UNLESS OTHERWISE SPECIFIED:		APVD J.Broeksteeg 10-OCT-05	NAME MODULAR JACK, SIDE ENTRY, 6/4 FOR PRINTED CIRCUIT BOARD WITH CONTACT COVER	
0 PLC ±	1 PLC ±	PRODUCT SPEC 108-19064	SIZE A2	CAGE CODE
2 PLC ±	3 PLC ±	APPLICATION SPEC 114-19019	DRAWING NO C-215876	RESTRICTED TO
4 PLC ±	ANGLES ±	WEIGHT -	SCALE 4:1	SHEET 4 OF 4
MATERIAL -	FINISH -	CUSTOMER DRAWING	REV AA1	