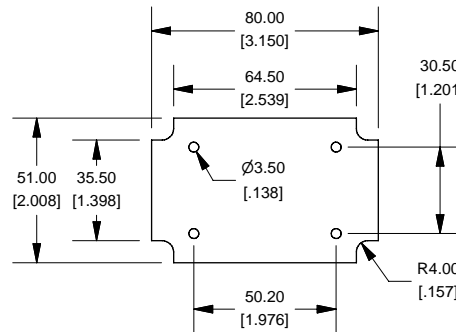
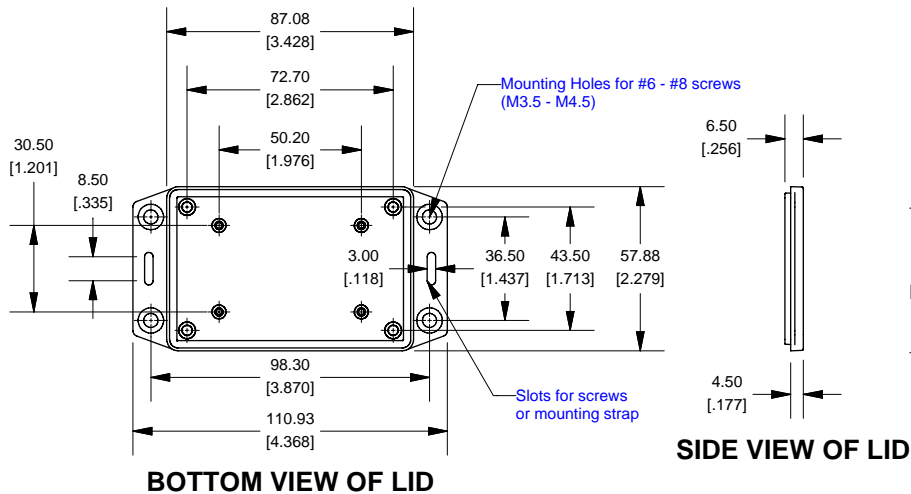
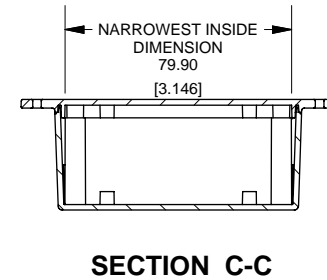
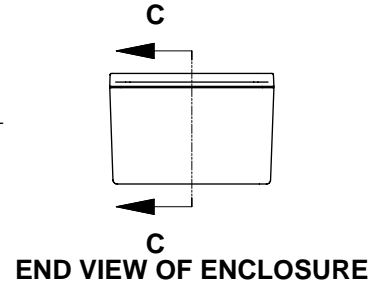
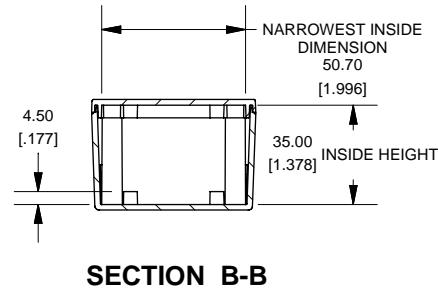
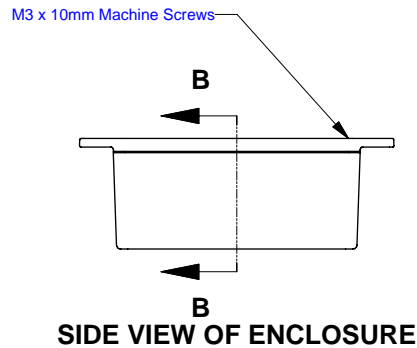
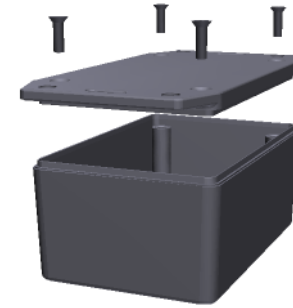
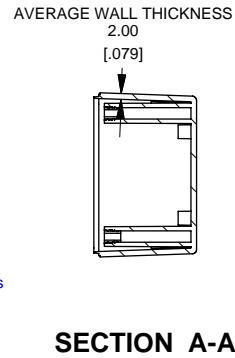
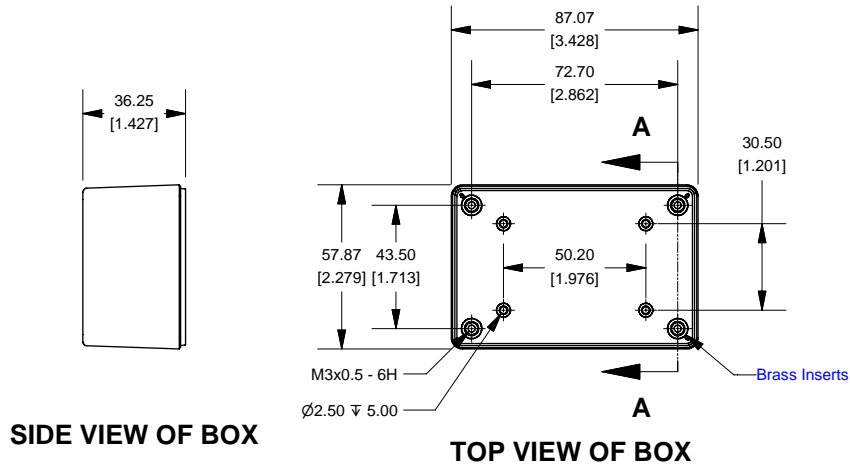


1591XXLFL Enclosure



Note:
Enclosures available modified, Milling, Drilling, Silk Screening.
Solid models of this enclosure available in STEP or IGES.
Contact Factory mjm@hammondmfg.com

NOTE	
Enclosure molded from FRABS UL 94-V0 Plastic. Other materials / Colours Available Consult Factory	
1591XXLFL	
1590XXL Flanged Lid Enclosure	
Black Enclosure Cover Screws (Pkg 100)	1591XXLFLBK
Gray Enclosure - RAL 7035	1591XXLFLGY
ACCESSORIES	
Black Enclosure Cover Screws (Pkg 100)	1591MS100BK
Gray Enclosure Cover Screws (Pkg 100)	1591MS100
P.C. Board Screws (All Boxes)	
P.C. Board Screws [#4 x 1/4" self-tapping (6.4mm)]	1593ATS50 (Pkg 50) 1593ATS100 (Pkg 100)

