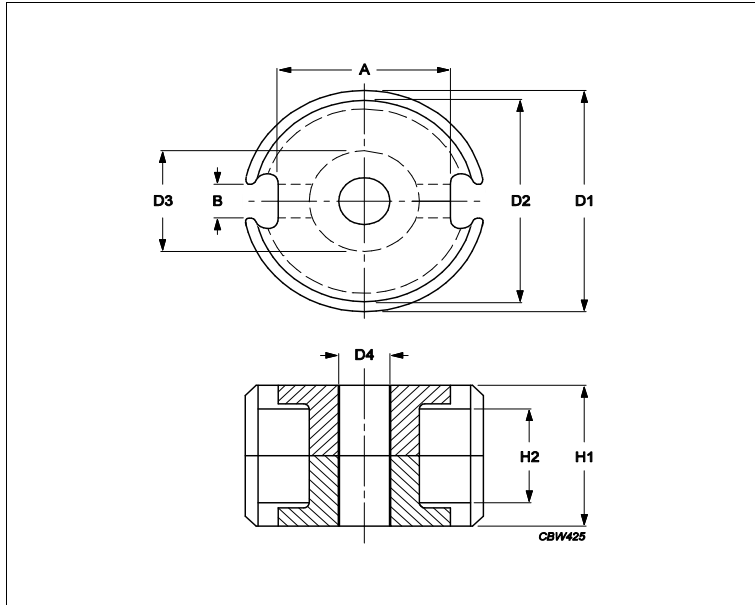


Core **P42/29**



Effective parameters			
	Parameter	Value	Unit
$\Sigma(I/A)$	core factor (C1)	0.259	mm ⁻¹
Ve	effective volume	18200	mm ³
Le	effective length	68.6	mm
Ae	effective area	265	mm ²
Amin	minimum area	214	mm ²
m	P42/29	≈ 104	g/set

Dimensions for product: P42/29

	Nom	Tol +	Tol -	Max	Min	Unit
A	32.00	0.70	0.70	32.70	31.30	mm
B	5.10	0.60	0.60	5.70	4.50	mm
D1	42.40	0.70	0.70	43.10	41.70	mm
D2	35.60	1.40	0.00	37.00	35.60	mm
D3	17.70	0.00	0.60	17.70	17.10	mm
D4	5.40	0.20	0.00	5.60	5.40	mm
H1	29.40	0.10	0.10	29.50	29.30	mm
H2	20.30	0.40	0.00	20.70	20.30	mm

Inductance factor

Material	Value	Tol +	Tol -	Unit
3C91	11500	25%	25%	nH/turns ²
3C95	11500	25%	25%	nH/turns ²
3F36	5400	25%	25%	nH/turns ²

Power loss: 3C91

Measuring conditions			Max	Unit
100 kHz	200 mT	60 °C	9.100	W/set

Power loss: 3C95

Measuring conditions			Max	Unit
100 kHz	200 mT	100 °C	8.700	W/set
100 kHz	200 mT	25 °C	9.500	W/set

Power loss: 3F36

Measuring conditions			Max	Unit
----------------------	--	--	-----	------

Core **P42/29**

Power loss: 3F36

Measuring conditions			Max	Unit
500 kHz	50 mT	100 °C	3.300	W/set
500 kHz	100 mT	100 °C	24.000	W/set

Bsat

Measuring conditions			Material	Min	Unit
25 kHz	250 A/m	100 °C	3C91	320	mT
25 kHz	250 A/m	100 °C	3C95	330	mT
25 kHz	250 A/m	100 °C	3F36	340	mT

Accessories

Ordering name	Description	Ordering code
CON-P42/29	Container	432202103091
CP-P42/29-1S-B	Coil former, termoplastic	433500080671
CP-P42/29-1S-C	Coil former, termoplastic	432202104471
CP-P42/29-2S-C	Coil former, termoplastic	432202104481
SPR-P42/29	Spring	432202130692
TGP-P42/29-C	Tag plante	432202104321