

*i*Coupler **ADuM3190** Isolated Error Amplifier Evaluation Board

FEATURES

Isolated error amplifier

Stable over time and temperature

0.5% initial accuracy

1% accuracy over the full temperature range

For Type II or Type III compensation networks

Reference voltage: 1.225 V

Low power operation: <7 mA total

Wide supply voltage range

V_{DD1}: 3 V to 20 V

V_{DD2}: 3 V to 20 V

Bandwidth: 400 kHz

Isolation voltage: 2.5 kV rms

Wide temperature range

−40°C to +125°C ambient operation

150°C maximum junction temperature

GENERAL DESCRIPTION

The **EVAL-ADuM3190EBZ** supports the **ADuM3190** isolated error amplifier based on Analog Devices, Inc., *i*Coupler® technology. The **ADuM3190** is ideal for linear feedback power supplies with primary side controllers enabling improvements in transient response, power density, and stability as compared to commonly used optocoupler and shunt regulator solutions. Included in the **ADuM3190** is a wideband operational amplifier that can be used to set up a variety of commonly used power supply loop compensation techniques. The **ADuM3190** is fast enough to allow a feedback loop to react to fast transient conditions and over current conditions. Also included is a high accuracy 1.225 V reference to compare with the supply output set point.

Complete specifications for the **ADuM3190** are provided in the **ADuM3190** data sheet available from Analog Devices, Inc., and should be consulted in conjunction with this user guide when using the evaluation board.

EVALUATION BOARD

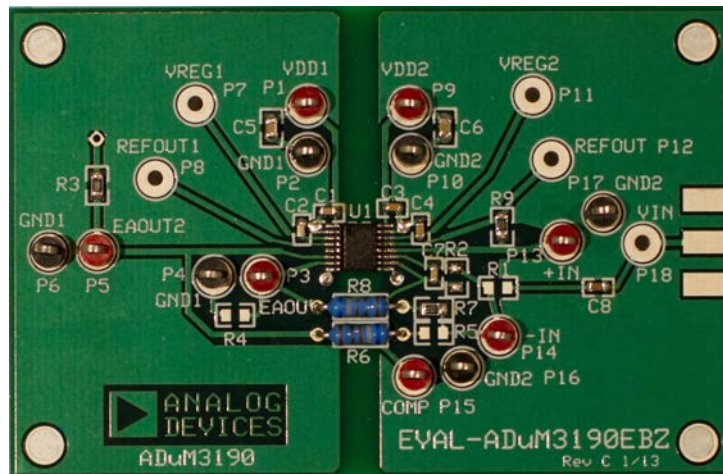


Figure 1. EVAL-ADuM3190EBZ

TABLE OF CONTENTS

Features	1	Left-Side Power Connections	3
General Description	1	Right-Side Power Connections	3
Evaluation Board	1	Accuracy Test Connections	3
Revision History	2	Evaluation Board Schematics and Artwork.....	4
Evaluation Board Hardware.....	3	Ordering Information.....	7
ADuM3190 Isolated Error Amplifier	3	Bill of Materials.....	7
EVAL-ADuM3190EBZ Schematic	3		

REVISION HISTORY

2/13—Revision 0: Initial Version

EVALUATION BOARD HARDWARE

ADuM3190 ISOLATED ERROR AMPLIFIER

The [EVAL-ADuM3190EBZ](#) board, shown in Figure 1, can be used to evaluate the performance and data sheet specifications of the [ADuM3190](#). Figure 2 shows the schematic of the [EVAL-ADuM3190EBZ](#) circuit which can be used to test the accuracy of the [ADuM3190](#) and perform other tests. The [EVAL-ADuM3190EBZ](#) is a 4-layer PC board, complete with ground and power layers as shown in the Evaluation Board Schematics and Artwork section.

EVAL-ADUM3190EBZ SCHEMATIC

Figure 2 shows the [ADuM3190](#) schematic of the [EVAL-ADuM3190EBZ](#) evaluation board. U1 is the [ADuM3190](#) in the center of the board and Pin 1 is the top-left pad with respect to the notch in the silkscreen's package outline. C1, C2, C3, and C4 are ceramic 0603 1 μF bypass capacitors provided for proper bypassing of the [ADuM3190](#) internal 3 V regulators on both sides of part. Also added to the board are 10 μF 0805 ceramic capacitors to the VDD1 and VDD2 connections to provide additional bypassing in case long wires are used from power supplies to the evaluation board.

Test point connectors are provided for most of the important connections to pins of the [ADuM3190](#). The following sections describe connections to make to power the [EVAL-ADuM3190EBZ](#) and make performance tests.

LEFT-SIDE POWER CONNECTIONS

Connect the left-side external power supply (3 V to 20 V) to P1 (labeled V_{DD1}) and return it to P2 (labeled GND_1).

RIGHT-SIDE POWER CONNECTIONS

Connect the right-side external power supply (3 V to 20 V) to P9 (labeled V_{DD2}) and return it to P10 (labeled GND_2).

ACCURACY TEST CONNECTIONS

In the [EVAL-ADuM3190EBZ](#) schematic (see Figure 2), a blue line outlines the EA_{OUT} accuracy circuit. Capacitor C7 (2.2 nF) together with R8 (680 Ω) and R7 (0 Ω) resistors form an integrator circuit to close the loop from the $-\text{IN}$ input to the EA_{OUT} output. A $\pm 1\%$ accurate internal reference voltage of 1.225 V at REF_{OUT} is connected to the noninverting op amp input $+\text{IN}$ through a 0 Ω resistor, R9, providing the reference for the accuracy test circuit. See Figure 3, [ADuM3190 Test Circuit 1](#), or the [ADuM3190](#) data sheet for more information about the operation of the [ADuM3190](#).

For accuracy tests, add a wire between GND_1 and GND_2 for EA_{OUT} and EA_{OUT2} (see Figure 3). This connection is needed because the accuracy tests connect a 680 Ω resistor across the isolation barrier and creates a current path between the two isolated areas, so a ground return is needed for the accuracy tests. The accuracy of the EA_{OUT} output will be within $\pm 1\%$ of the reference voltage specified value of 1.225 V. Next, the EA_{OUT2} accuracy in Figure 4 (Test Circuit 2) can be performed by removing the R7 (0 Ω) resistor and placing a 0 Ω resistor at R5, completing the EA_{OUT2} circuit. Because the EA_{OUT2} circuit has a high gain and uses the same internal reference voltage to connect to the $-\text{IN}$ input of the op amp, the accuracy of the EA_{OUT2} output is also within $\pm 1\%$ of the reference voltage specified value of 1.225 V.

For tests other than the accuracy tests, open the 680 Ω resistor connections by removing R5 and R7 (0 Ω), the C7 integrating capacitor, and the external wire connection made between GND_1 and GND_2 . Once completed, other components may be added to the evaluation board per the schematic in Figure 2 to make circuits for other tests such as [ADuM3190](#) data sheet specifications for the op amp, reference, UVLO, output characteristics, or power supply.

EVALUATION BOARD SCHEMATICS AND ARTWORK

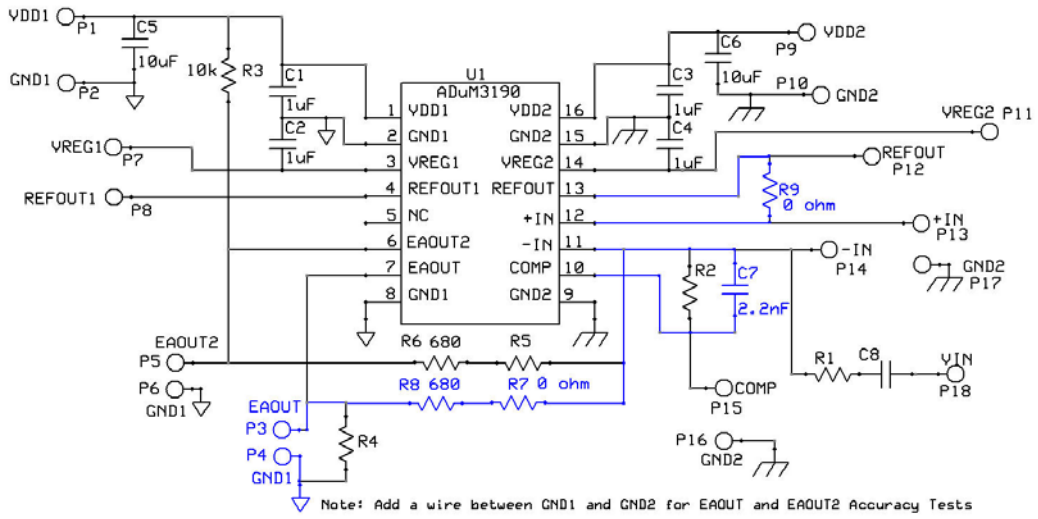


Figure 2. EVAL-ADuM3190EBZ Schematic

11337-002

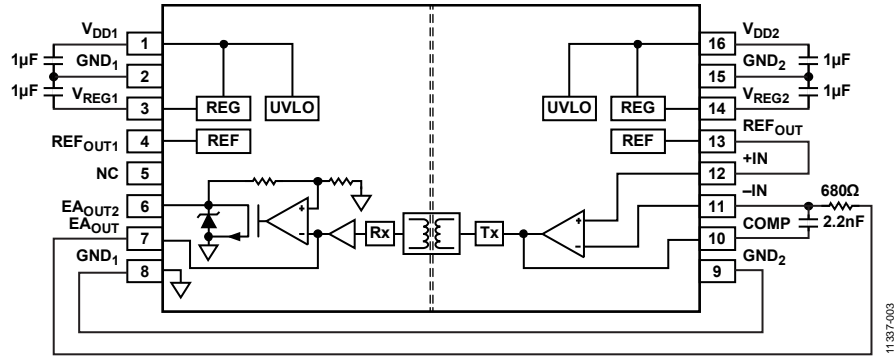


Figure 3. ADuM3190 Test Circuit 1

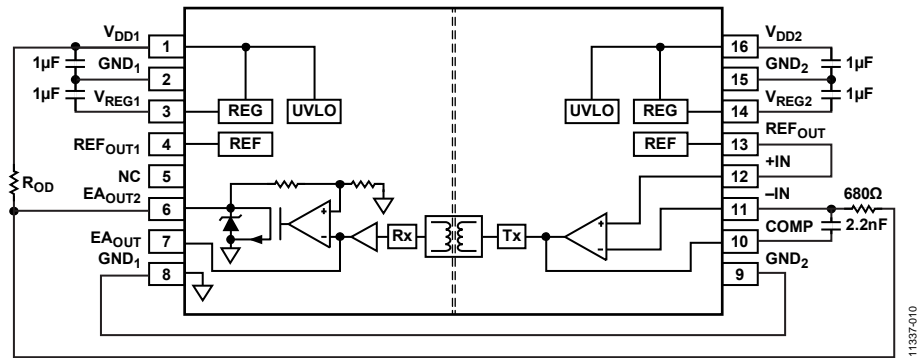


Figure 4. ADuM3190 Test Circuit 2

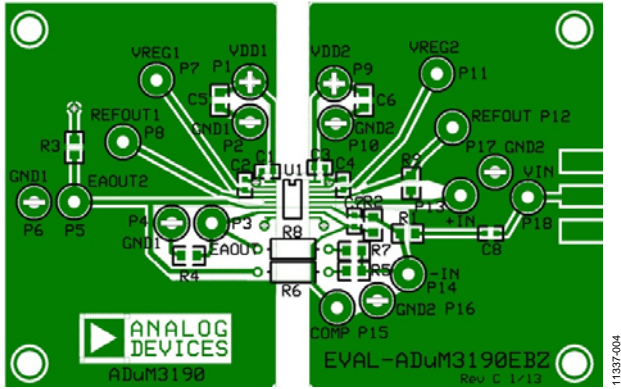


Figure 5. Top Layer—Power Fill

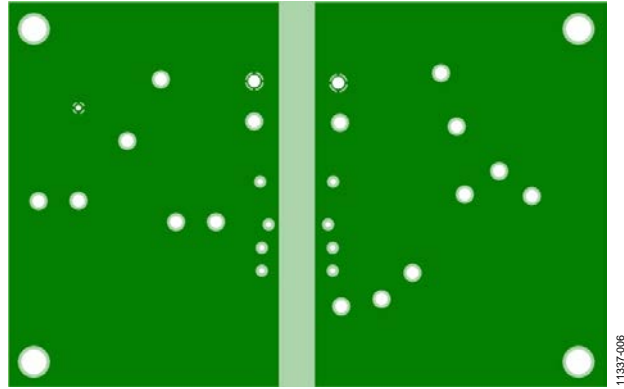


Figure 7. Layer 3—Power Plane

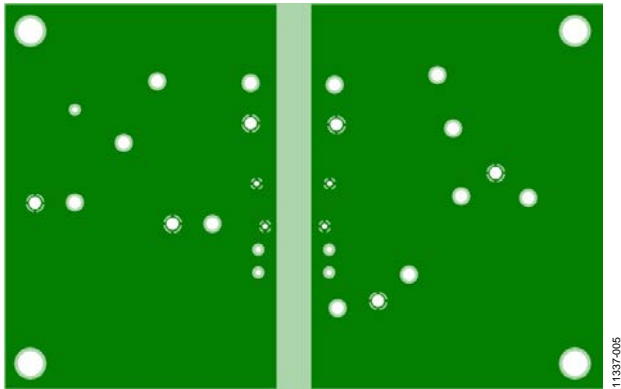


Figure 6. Layer 2—Ground Plane

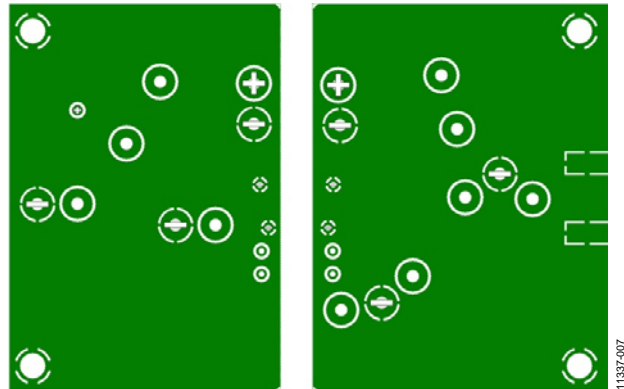


Figure 8. Bottom Layer—Ground Fill

ORDERING INFORMATION**BILL OF MATERIALS**

Table 1.

Qty	Reference Designator	Description	Supplier/Part Number
6	P2, P4, P6, P10, P16, P17	TP-104 series test point, black	Components Corp./TP-104-01-00
7	P1, P3, P5, P9, P13, P14, P15	TP-104 series test point, red	Components Corp./TP-104-01-02
1	U1	ADuM3190TRQZ	Analog Devices, Inc.
4	C1, C2, C3, C4	Capacitor ceramic, X7R, SMD, 0603, 1 μ F, 20%, 20 V	
2	C5, C6	Capacitor ceramic, X7R, SMD, 0805, 10 μ F, 20%, 20V	
1	C7	Capacitor ceramic, X7R, SMD, 0603, 2.2 nF, 20% 16 V	
1	R3	Resistor chip, SMD 0805, 10 k Ω , 1/8 W, 1%	
2	R7, R9	Resistor chip, SMD 0805, 0 Ω , 1/8 W, 1%	
2	R6, R8	Resistor through hole, 680 Ω , 1/4 W, 5%	

NOTES

**ESD Caution**

ESD (electrostatic discharge) sensitive device. Charged devices and circuit boards can discharge without detection. Although this product features patented or proprietary protection circuitry, damage may occur on devices subjected to high energy ESD. Therefore, proper ESD precautions should be taken to avoid performance degradation or loss of functionality.

Legal Terms and Conditions

By using the evaluation board discussed herein (together with any tools, components documentation or support materials, the "Evaluation Board"), you are agreeing to be bound by the terms and conditions set forth below ("Agreement") unless you have purchased the Evaluation Board, in which case the Analog Devices Standard Terms and Conditions of Sale shall govern. Do not use the Evaluation Board until you have read and agreed to the Agreement. Your use of the Evaluation Board shall signify your acceptance of the Agreement. This Agreement is made by and between you ("Customer") and Analog Devices, Inc. ("ADI"), with its principal place of business at One Technology Way, Norwood, MA 02062, USA. Subject to the terms and conditions of the Agreement, ADI hereby grants to Customer a free, limited, personal, temporary, non-exclusive, non-sublicensable, non-transferable license to use the Evaluation Board FOR EVALUATION PURPOSES ONLY. Customer understands and agrees that the Evaluation Board is provided for the sole and exclusive purpose referenced above, and agrees not to use the Evaluation Board for any other purpose. Furthermore, the license granted is expressly made subject to the following additional limitations: Customer shall not (i) rent, lease, display, sell, transfer, assign, sublicense, or distribute the Evaluation Board; and (ii) permit any Third Party to access the Evaluation Board. As used herein, the term "Third Party" includes any entity other than ADI, Customer, their employees, affiliates and in-house consultants. The Evaluation Board is NOT sold to Customer; all rights not expressly granted herein, including ownership of the Evaluation Board, are reserved by ADI. CONFIDENTIALITY. This Agreement and the Evaluation Board shall all be considered the confidential and proprietary information of ADI. Customer may not disclose or transfer any portion of the Evaluation Board to any other party for any reason. Upon discontinuation of use of the Evaluation Board or termination of this Agreement, Customer agrees to promptly return the Evaluation Board to ADI. ADDITIONAL RESTRICTIONS. Customer may not disassemble, decompile or reverse engineer chips on the Evaluation Board. Customer shall inform ADI of any occurred damages or any modifications or alterations it makes to the Evaluation Board, including but not limited to soldering or any other activity that affects the material content of the Evaluation Board. Modifications to the Evaluation Board must comply with applicable law, including but not limited to the RoHS Directive. TERMINATION. ADI may terminate this Agreement at any time upon giving written notice to Customer. Customer agrees to return to ADI the Evaluation Board at that time. LIMITATION OF LIABILITY. THE EVALUATION BOARD PROVIDED HEREUNDER IS PROVIDED "AS IS" AND ADI MAKES NO WARRANTIES OR REPRESENTATIONS OF ANY KIND WITH RESPECT TO IT. ADI SPECIFICALLY DISCLAIMS ANY REPRESENTATIONS, ENDORSEMENTS, GUARANTEES, OR WARRANTIES, EXPRESS OR IMPLIED, RELATED TO THE EVALUATION BOARD INCLUDING, BUT NOT LIMITED TO, THE IMPLIED WARRANTY OF MERCHANTABILITY, TITLE, FITNESS FOR A PARTICULAR PURPOSE OR NON-INFRINGEMENT OF INTELLECTUAL PROPERTY RIGHTS. IN NO EVENT WILL ADI AND ITS LICENSORS BE LIABLE FOR ANY INCIDENTAL, SPECIAL, INDIRECT, OR CONSEQUENTIAL DAMAGES RESULTING FROM CUSTOMER'S POSSESSION OR USE OF THE EVALUATION BOARD, INCLUDING BUT NOT LIMITED TO LOST PROFITS, DELAY COSTS, LABOR COSTS OR LOSS OF GOODWILL. ADI'S TOTAL LIABILITY FROM ANY AND ALL CAUSES SHALL BE LIMITED TO THE AMOUNT OF ONE HUNDRED US DOLLARS (\$100.00). EXPORT. Customer agrees that it will not directly or indirectly export the Evaluation Board to another country, and that it will comply with all applicable United States federal laws and regulations relating to exports. GOVERNING LAW. This Agreement shall be governed by and construed in accordance with the substantive laws of the Commonwealth of Massachusetts (excluding conflict of law rules). Any legal action regarding this Agreement will be heard in the state or federal courts having jurisdiction in Suffolk County, Massachusetts, and Customer hereby submits to the personal jurisdiction and venue of such courts. The United Nations Convention on Contracts for the International Sale of Goods shall not apply to this Agreement and is expressly disclaimed.