

6

5

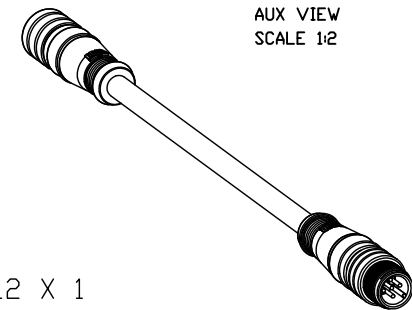
4

3

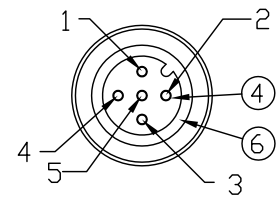
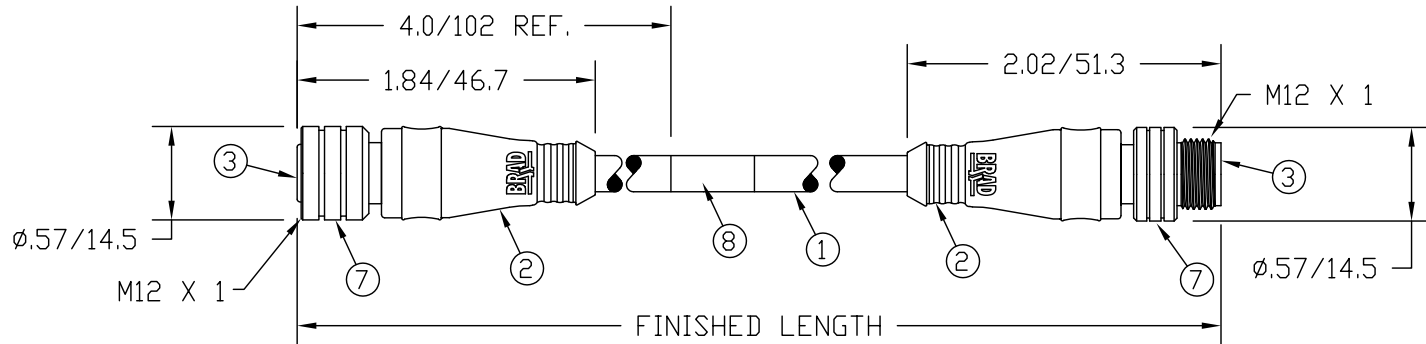
2

1

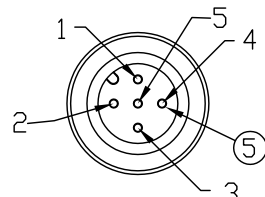
MATERIAL NUMBER	ENGINEERING NUMBER	FINISHED LENGTH
1200660166	883030A09M010	1.0M +55.6 -0 [3.28' +2.19' -0]



AUX VIEW  
SCALE 1/2



FEMALE FACE VIEW



MALE FACE VIEW

1	BROWN	1
3	BLUE	3
4	BLACK	4

WIRING DIAGRAM

- NOTES:
- 1) MATERIALS: SEE TABLE
  - 2) FINISHES: SEE TABLE
  - 3) CABLE: #22/5 TPE
  - 4) ELECTRICAL DATA:  
MAX. VOLTAGE: 250 VAC/VDC  
MAX. CURRENT: 4 AMPS
  - 5) ENVIRONMENTAL:  
PROTECTION IP67  
TEMPERATURE RANGE: -20°C TO 105°C
  - 6) WRAP LABEL IS MARKED WITH P/N, DATE CODE,  
VOLTAGE & AMPERAGE.
  - 7) ASSEMBLY IS RoHS COMPLIANT.

ITEM	QTY.	DESCRIPTION	MATERIAL	FINISH
8	1	LABEL	MYLAR	BLACK/YELLOW
7	2	COUPLER	BRASS	NICKEL PLATED
6	1	O-RING	VITON	RED
5	5	PIN CONTACT	COPPER ALLOY	GOLD OVER NICKEL
4	5	SOCKET CONTACT	COPPER ALLOY	GOLD OVER NICKEL
3	2	INSERT	NYLON	BLACK
2	2	OVERMOLD	PUR	YELLOW
1	1	#22/5 CABLE	PVC JACKET	YELLOW

RELEASED DRAWING  
EC NO: WELU2010-0288  
DRWN: LSTEMMLE 2010/01/25  
CHKD: NS  
APPR: NSTAUDIG 2010/01/29

QUALITY SYMBOLS  
▽=0  
▽C=0

GENERAL TOLERANCES (UNLESS SPECIFIED)

	mm	INCH
4 PLACES	±---	±---
3 PLACES	±---	±---
2 PLACES	±---	±.01
1 PLACE	±0.3	±---
ANGULAR ±--°		

DRAFT WHERE APPLICABLE  
MUST REMAIN  
WITHIN DIMENSIONS

DIMENSION STYLE  
IN/MM

DRAWN BY DATE  
LSTEMMLE 2010/01/25

CHECKED BY DATE  
RE 2010/01/25

APPROVED BY DATE  
NSTAUDIG 2010/01/29

MATERIAL NO.  
SEE TABLE

SIZE  
A

SCALE  
2:1

DESIGN UNITS  
METRIC

THIRD ANGLE PROJECTION

TITLE  
MICRO-CHANGE CORDSET  
3P FE-STR MA- STR  
22/5 YELLOW PVC CABLE

MOLEX INCORPORATED

DOCUMENT NO.  
SD-120066-010

SHEET NO.  
1 OF 1

THIS DRAWING CONTAINS INFORMATION THAT IS PROPRIETARY TO MOLEX INCORPORATED AND SHOULD NOT BE USED WITHOUT WRITTEN PERMISSION

6

5

4

3

2

1

E

E

D

D

C

C

B

B

A

A