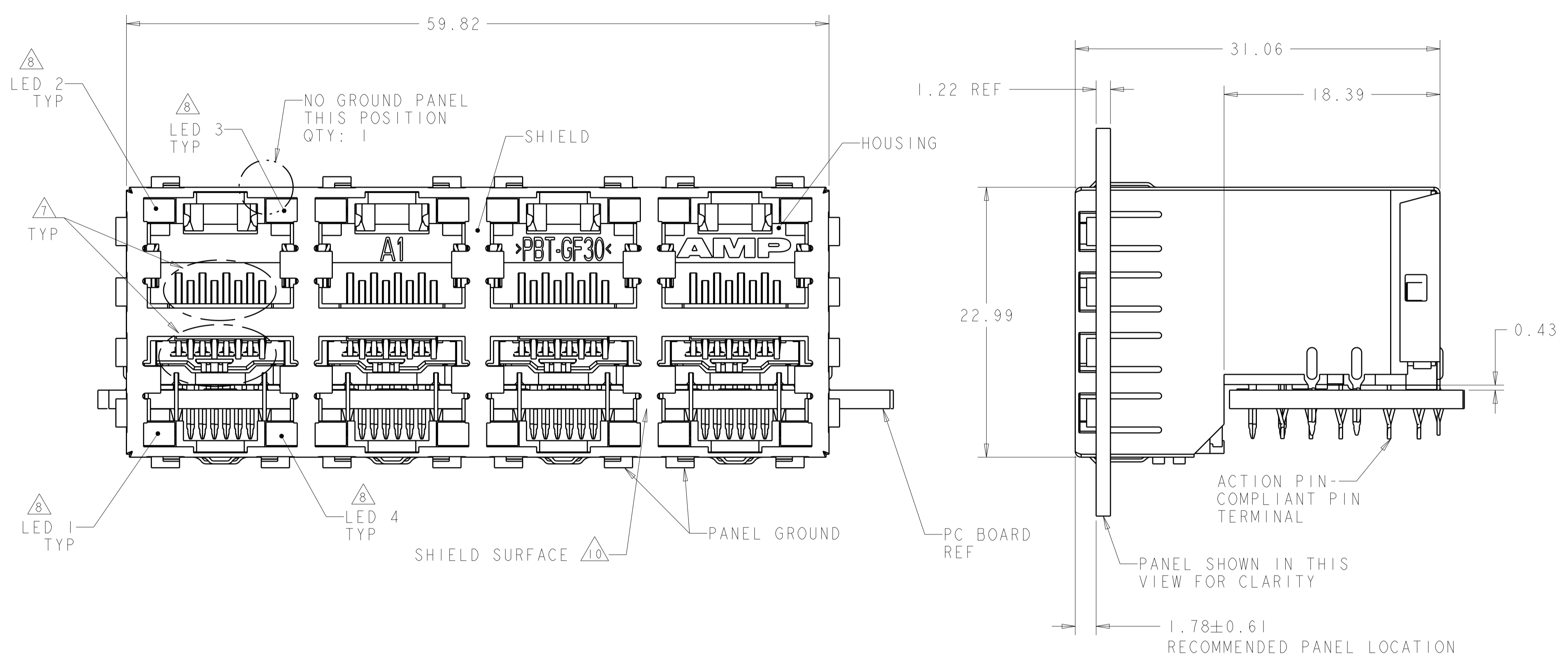
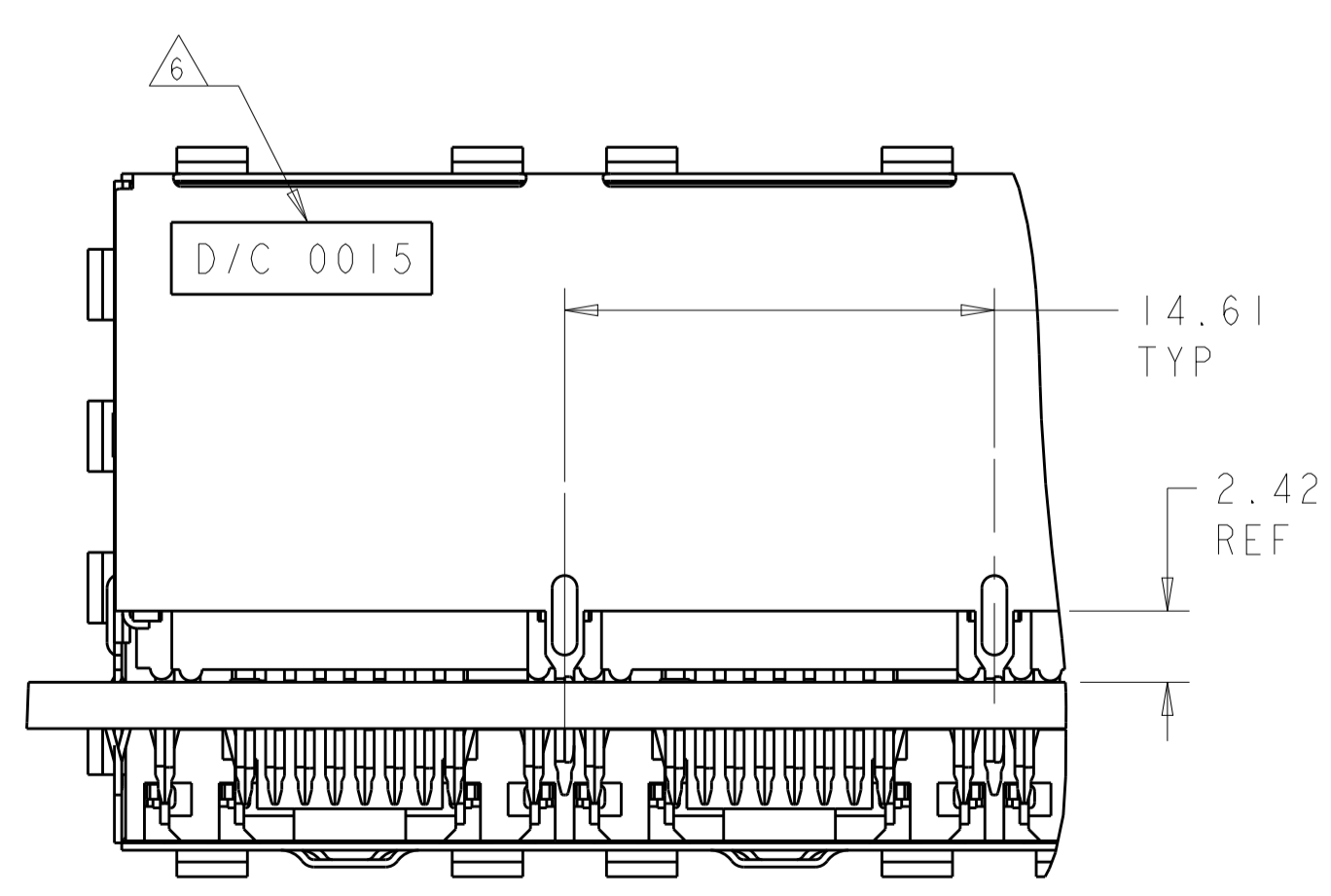


REVISIONS				
P.	LTN	DESCRIPTION	DATE	APVD
A		RELEASED	30MAR2006	LAM JW
B		ECO-06-011836	20MAY2006	LAM JW
C		ECO-06-014722	20JUN2006	LAM JW
D		ECO-15-006810	22JAN2016	LL SH



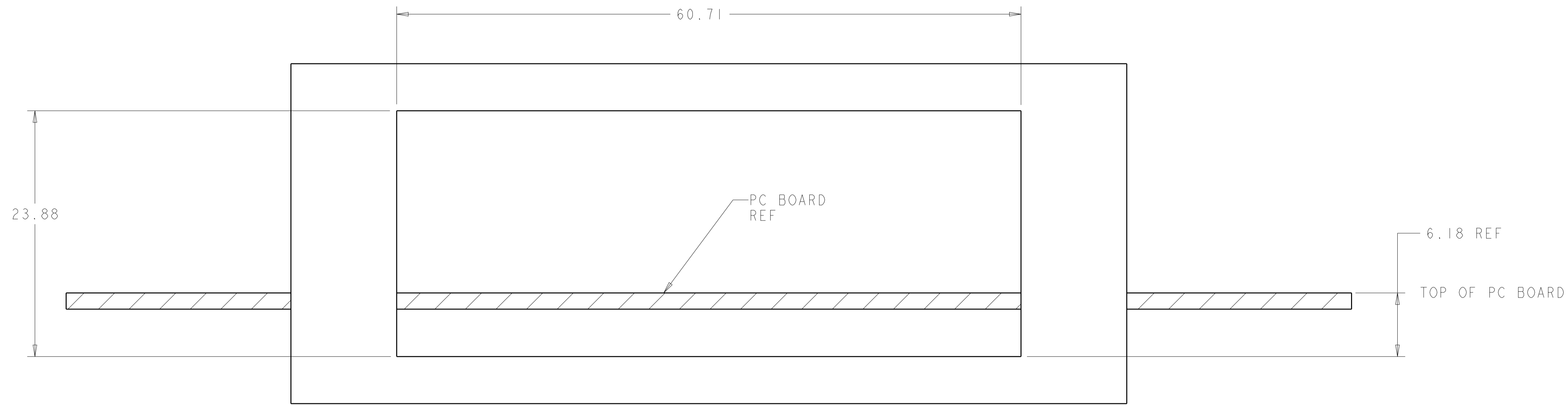
- MATERIAL:
HOUSING
 PBT POLYESTER, BLACK, UL 94V-0.
TERMINALS
 0.33 THICK PHOSPHOR BRONZE PLATED WITH 1.27µm MINIMUM THICK HARD GOLD IN LOCALIZED AREA AND 3.81µm MINIMUM THICK MATTE TIN IN ACTION PIN COMPLIANT PIN TERMINAL AREA OVER 1.27µm MINIMUM THICK NICKEL UNDERPLATE.
SHIELD
 0.25 THICK COPPER ALLOY PLATED WITH BRIGHT TIN OVER 1.27µm MINIMUM NICKEL.
LIGHT EMITTING DIODE (LED)
 DIFFUSED EPOXY LENS, 12.95 CARBON STEEL WIREFRAME LEADS PREPLATED WITH 8.89µm THICK Sn/Cu OVER 2.03µm THICK Ag OVER 1.02µm THICK Cu OVER 3.56µm THICK Ni OVER 1.02µm THICK Cu UNDERPLATE
LED ACTION PIN - COMPLIANT PIN CONTACTS
 0.3 THICK BRASS PLATED WITH 2µm MINIMUM MATTE TIN OVER 1.27µm MINIMUM NICKEL UNDERPLATE.
- JACK CAVITY CONFORMS TO FCC RULES AND REGULATIONS, PART 68 SUBPART F.
- ALL DIMENSIONS ARE NOMINAL UNLESS OTHERWISE SPECIFIED.
- DRILLED HOLE DIA = 1.02±.025.
 COPPER THICKNESS = 0.025-0.075.
 TIN LEAD THICKNESS = 0.008 MIN.
- DATUMS AND BASIC DIMENSIONS ESTABLISHED BY CUSTOMER.
- DATE CODE LOCATED ON REAR OF PART APPROXIMATELY AS SHOWN.
- CONTACTS ARE NOT INTENDED TO BE ALIGNED WITH EACH OTHER.
- SUGGESTED OPERATING CURRENT FOR LEDS IS 20 mA.
- TWO LEDS PER PORT, SIZE .079 X .118, SEE TABLE FOR COLOR



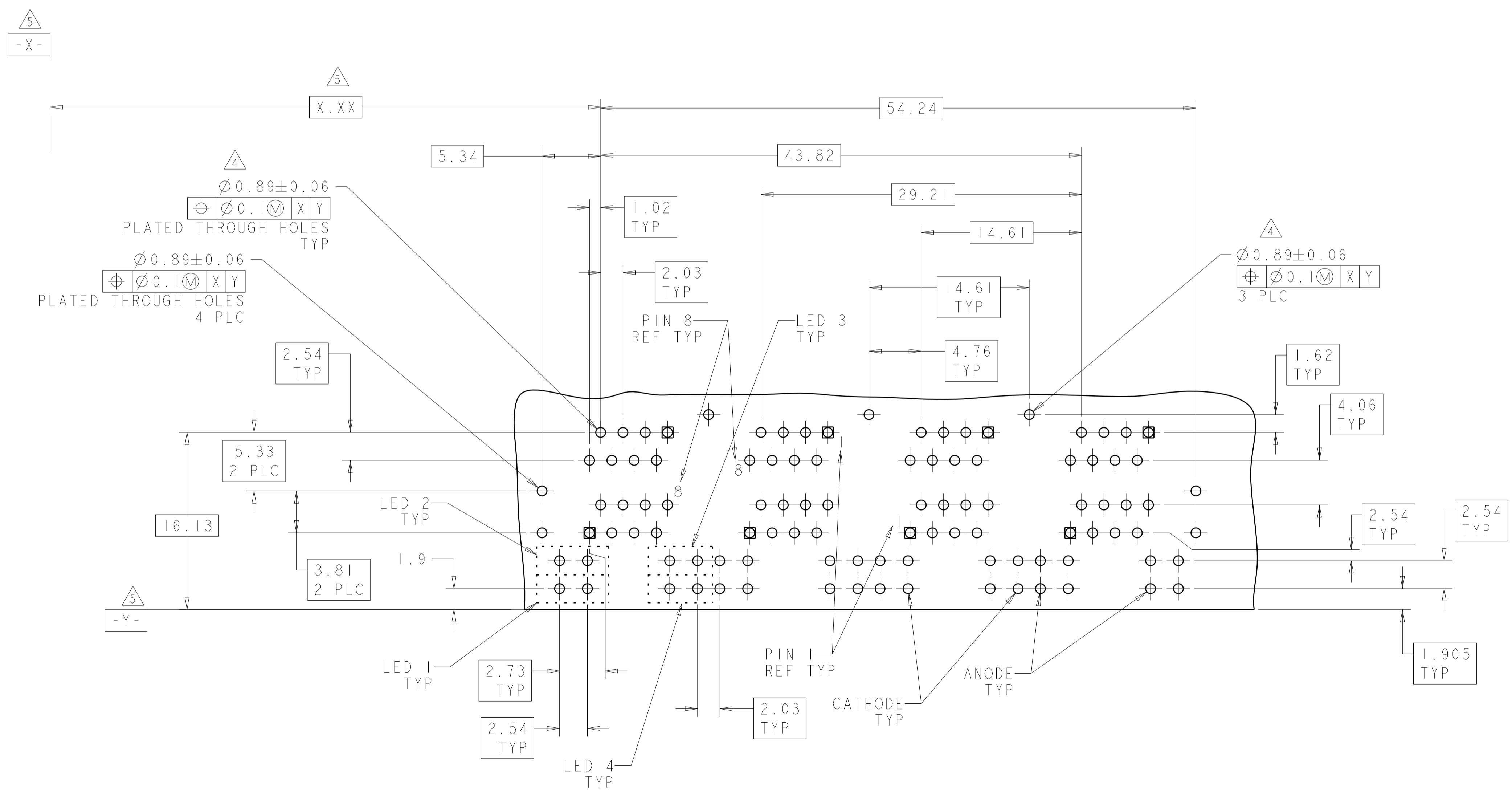
PARTIAL BACK VIEW

YELLOW	YELLOW	GREEN	GREEN	1888423-1
LED #4 (LOWER-RIGHT)	LED #3 (UPPER-RIGHT)	LED #2 (UPPER-LEFT)	LED #1 (LOWER-LEFT)	PART NUMBER
THIS DRAWING IS A CONTROLLED DOCUMENT.		DWN: B. HOLTZLAUF & MAYER 30MAR2006 CH: J. WESTMAN 30MAR2006 APVD: S. FLICKINGER 30MAR2006		
DIMENSIONS: mm 0 PLC ± 1 PLC ±0.1 2 PLC ±0.13 3 PLC ± 4 PLC ± ANGLES ± FINISH ±		NAME: STACKED MODULAR JACK ASSEMBLY, 2x4 OFFSET, WITH LEDS, 8 POSN, RJ45 SHIELDED, PANEL GROUNDS, CAT 5 PRODUCT SPEC: 108-1854 APPLICATION SPEC: SIZE: 114-2160 WEIGHT: CUSTOMER DRAWING		
MATERIAL: SEE NOTE 1		SCALE: 4:1 SHEET 1 OF 2 REV D A100779C=1888423		

REVISIONS				
P.	LTN.	DESCRIPTION	DATE	APVD.
-	-	SEE SHEET 1	-	-



RECOMMENDED PANEL CUT-OUT



PC BOARD LAYOUT (COMPONENT SIDE)

THIS DRAWING IS A CONTROLLED DOCUMENT.		DWG: B. HOLTZCLAUF & MAYER CHK: J. WESTMAN APVD: S. FLICKINGER 30MAR2006 30MAR2006	TE Connectivity
DIMENSIONS: mm 	TOLERANCES UNLESS OTHERWISE SPECIFIED: 0 PLC ± 1 PLC ±0.1 2 PLC ±0.13 3 PLC ± 4 PLC ± ANGLES ±1	NAME: STACKED MODULAR JACK ASSEMBLY, 2x4 OFFSET, WITH LEDs, 8 POSN, RJ45 SHIELDED, PANEL GROUNDS, CAT 5 PRODUCT SPEC: 108-1854 APPLICATION SPEC: SIZE: 114-2160 WEIGHT:	CUSTOMER DRAWING SCALE: 4:1 SHEET: 2 OF 2 REV: D
MATERIAL: SEE NOTE 1	FINISH: SEE NOTE 1	CAGE CODE: A100779 DRAWING NO: C=1888423	RESTRICTED TO: