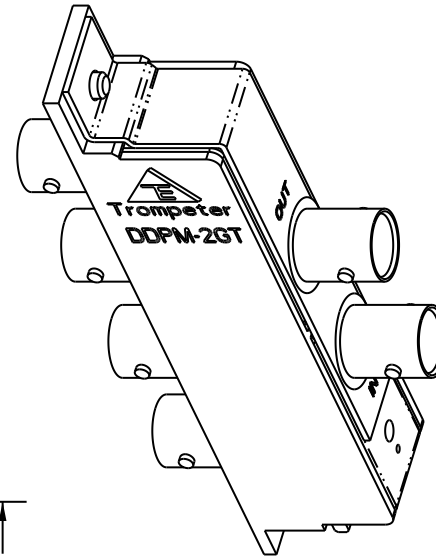
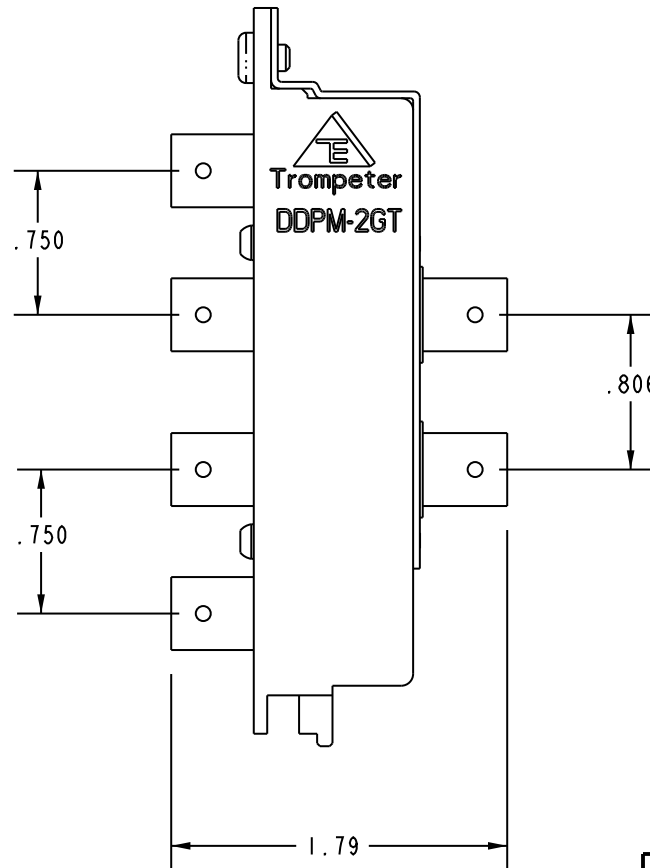
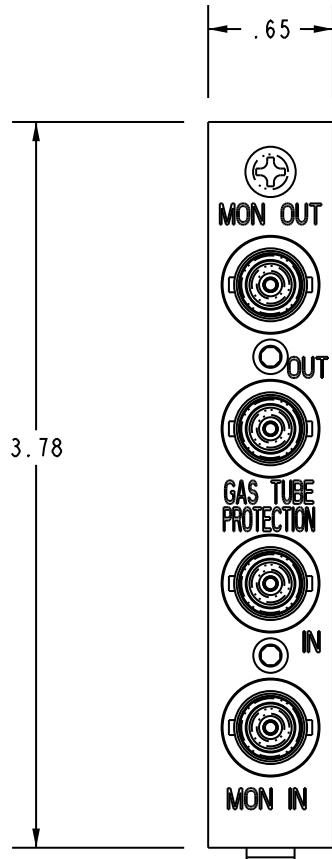
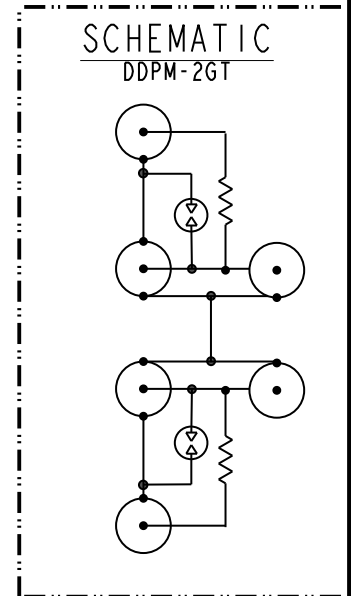


DATA CONTAINED IN THIS DOCUMENT IS PROPRIETARY TO EMERSON CONNECTIVITY SOLUTIONS AND SHALL NOT BE DISCLOSED, COPIED OR USED FOR PROCUREMENT OR MANUFACTURE WITHOUT EXPRESS WRITTEN PERMISSION

REVISIONS			
REV	DESCRIPTIONS	DATE	APPROVED
D	ECO 52389	5/26/10	T. KOHLER




SCALE 1/1



2. DDPM-2GT PROVIDES SURGE PROTECTION

1. BNC STYLE 75Ω PANEL MOUNTED COAXIAL PARALLEL NETWORK WITH TWO 20 dB MONITOR PORTS

NOTES: UNLESS OTHERWISE SPECIFIED.

INTERPRET DRAWING PER MIL-STD-100. DIMENSIONS ARE IN INCHES AND INCLUDE FINISH THICKNESS UNLESS OTHERWISE SPECIFIED.		TOL: UNLESS SPECIFIED. .XX ± .02 .XXX ± .010 ANGLE ± 1°		 Cinch Connectivity Solutions 299 Johnson Ave. Ste. 100 Waseca, MN 56093 1-800-247-8256	
DRN C. WALLACE	5/28/10	MATERIAL:	TITLE: DDPM-2GT, MODULE ASSY WITH GROUND PLATE		
CHK		FINISH:	SIZE A	CAGE CODE 14949	DRAWING NO. 105-2166
QUALITY					REV. D
MANUF					
APPROVED					
SURFACE AREA	PROJ FILE NO. 105-2166	DO NOT SCALE DWG	SCALE 1/1	DATE 10/28/02	SHEET 1 OF 3