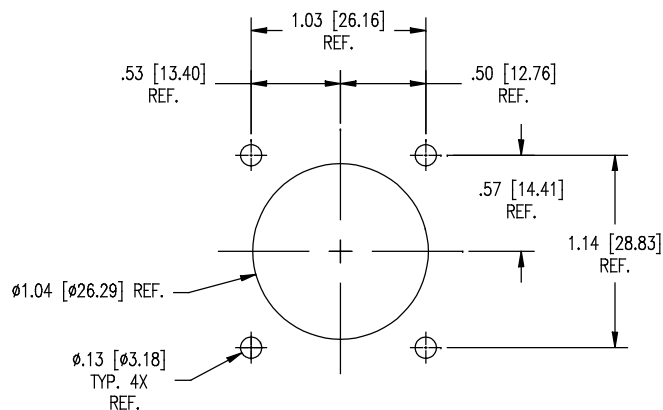
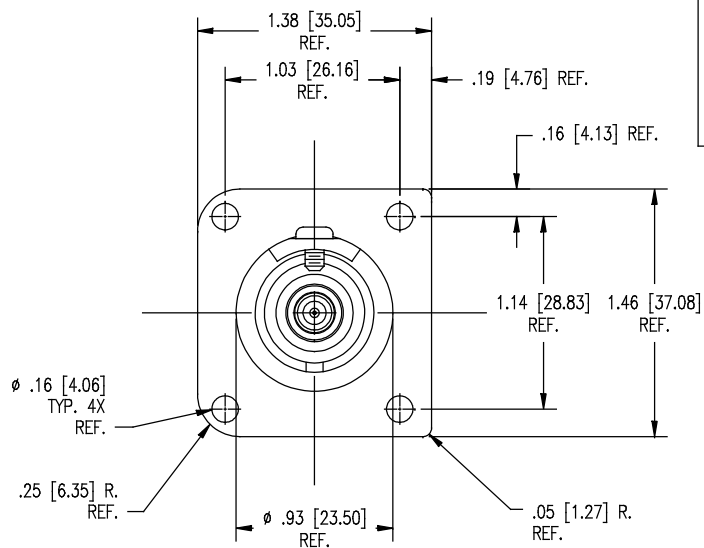
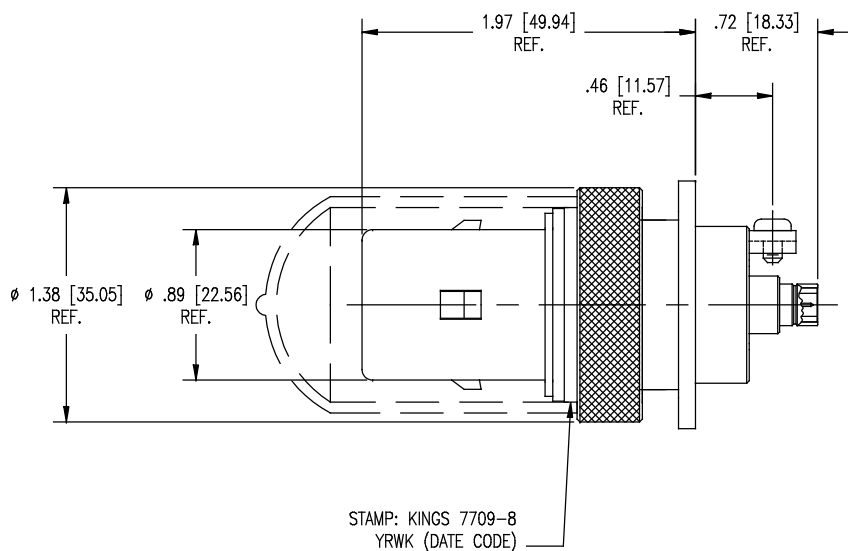


DASH NO.	M CODE	MADE FROM
----------	--------	-----------

GSD

7709-8

REVISIONS	
ISSUE	CHANGES
1	ER 39549 JPK 07/28/06
2	CN 39561 E JPK 08/07/06



MOUNTING HOLE

GSD

NOTES:

- MATERIALS:  
INSULATORS: TEFLON, ASTM-D4894  
GASKETS: SILICONE RUBBER, A-A-59588  
CONDUCTIVE GASKETS: CONSIL C 87-10004, 60-70 DUROMETER  
CONTACT TIPS: DELRIN 150  
PROTECTIVE CAPS: VINYL  
BODY: BERYLLIUM COPPER, ASTM-B196  
ALL OTHER METAL PARTS: BRASS, ASTM-B16
- FINISHES:  
CENTER CONTACT: HARD GOLD PLATE, ASTM-B488  
ALL OTHER METAL PARTS: NICKEL PLATE, SAE-AMS-QQ-N-290
- ELECTRICAL CHARACTERISTICS:  
NOMINAL IMPEDANCE: 75 OHMS  
FREQUENCY RANGE: DC TO 500 MHz  
WORKING VOLTAGE: 500 VRMS
- MECHANICAL CHARACTERISTICS:  
AXIAL PULL: 150 LBS.  
OFF AXIS TORQUE: 110 IN-LBS.
- SIMILAR TO: LEMO AZG-4A (MAY BE USED ON GRASSVALLEY/THOMPSON LDK-5000/LDK-6000 MARK2 WORLDCAM CAMERA)

7709-8SD

SCALE 3 : 2	
APPROX SURFACE AREA N/A	
USED ON	
REF: EQR 904	
ADPT, TRI-LOC TO SMB	
DRAWN J. KENNEDY	DATE 05/23/05
DESIGN J. KENNEDY	DATE 05/20/05
APPR.	DATE
 ROCK HILL, SOUTH CAROLINA 29730	
7709-8	