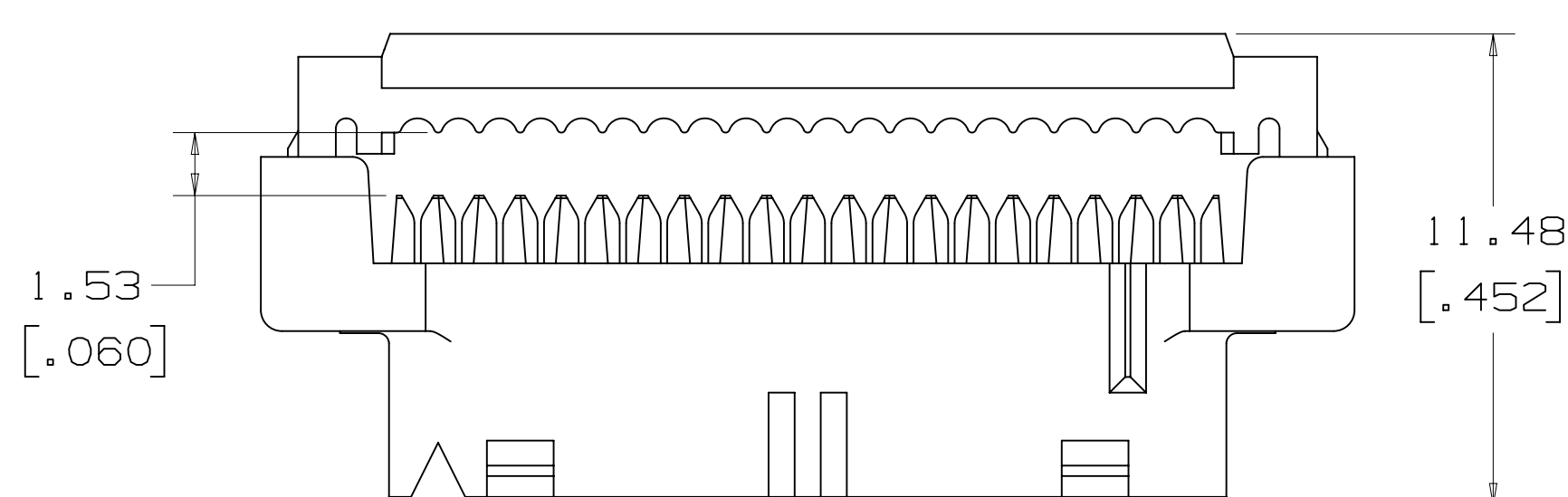
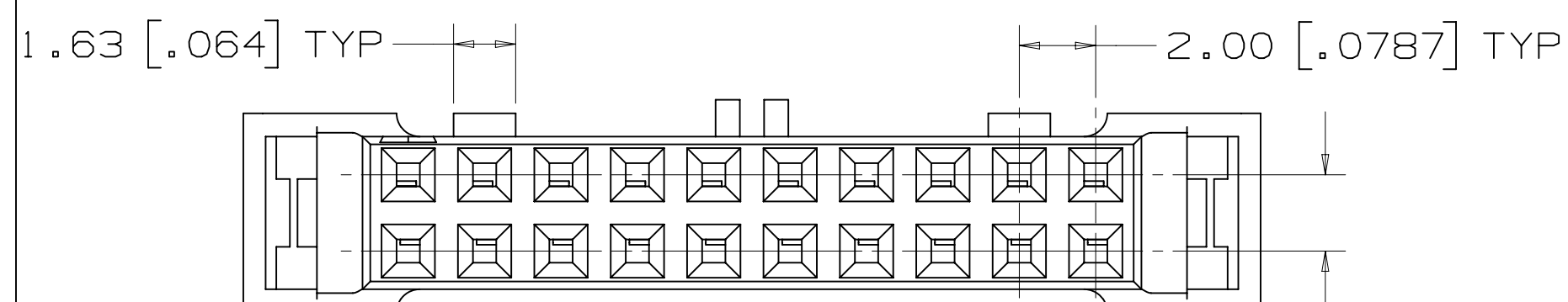
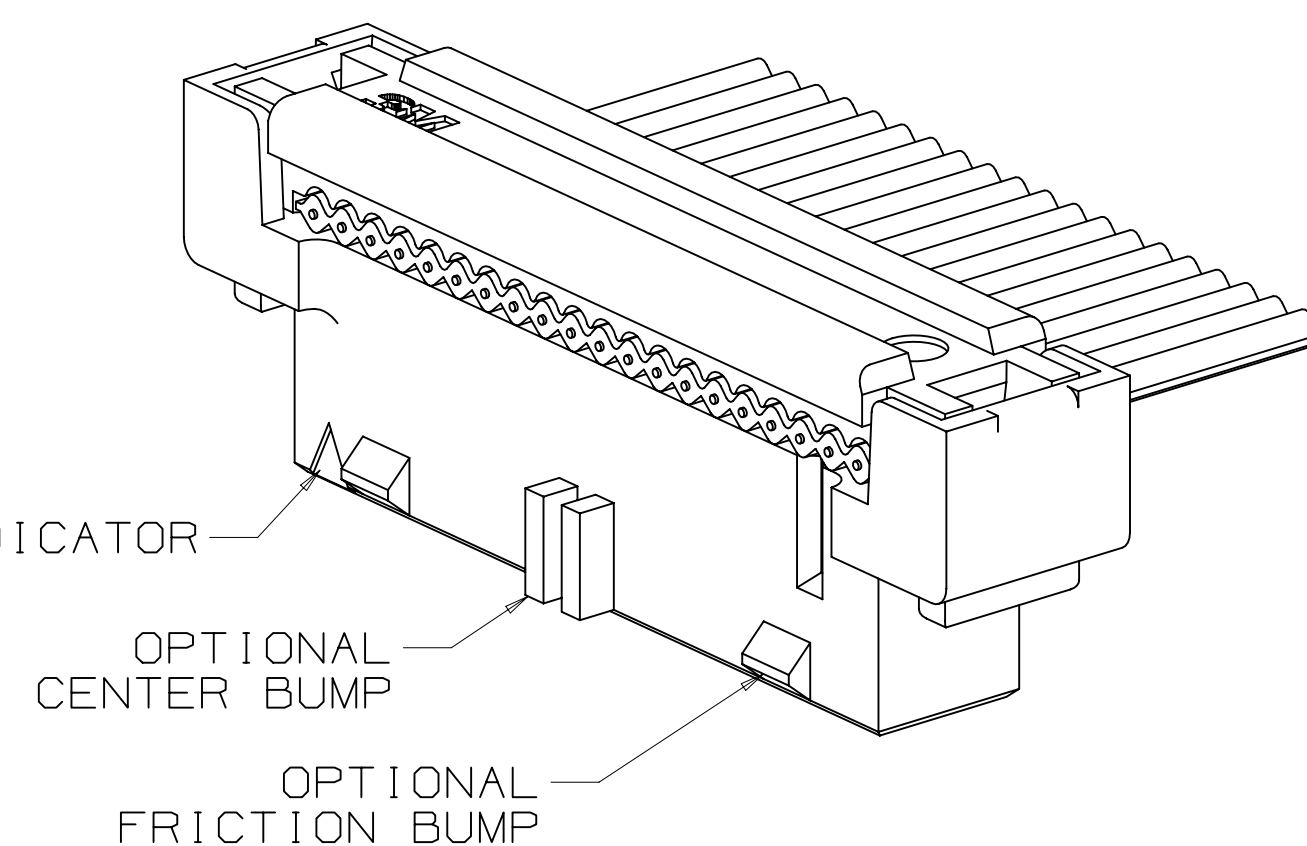
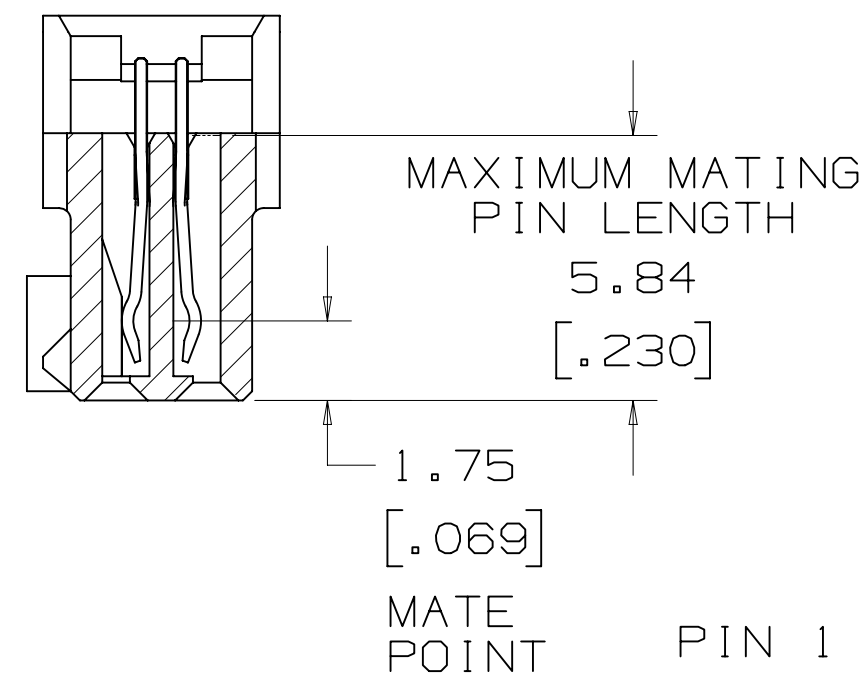
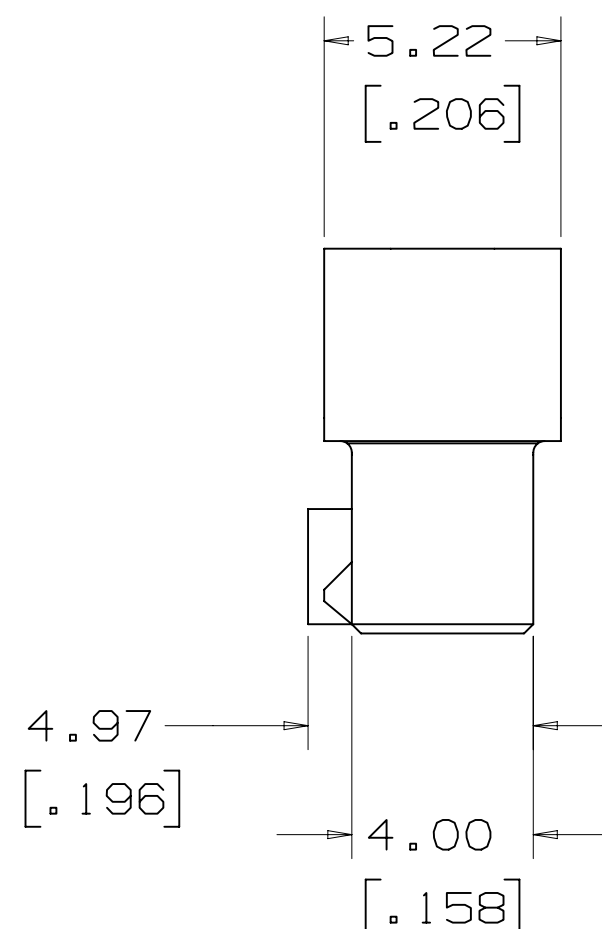
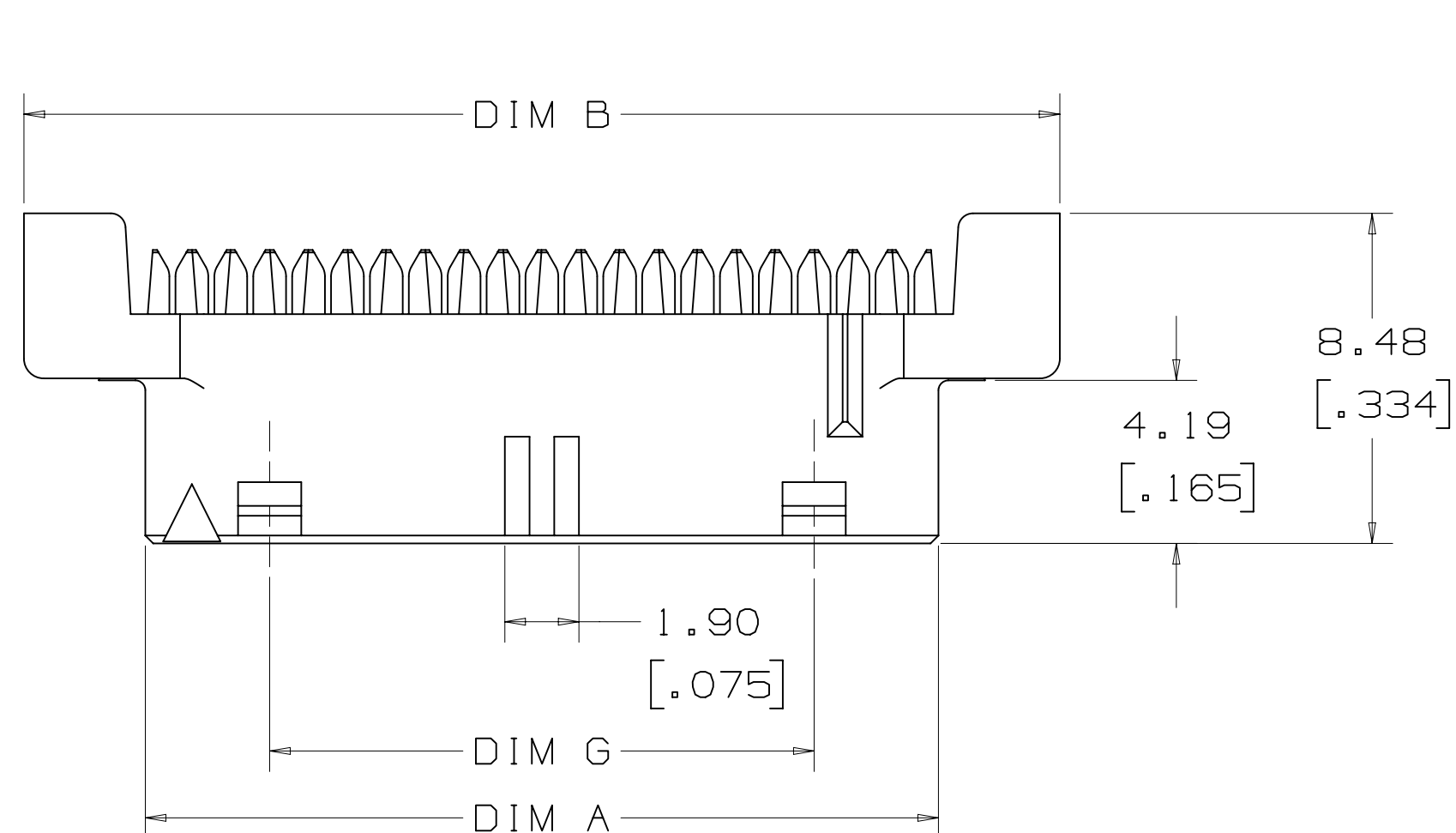
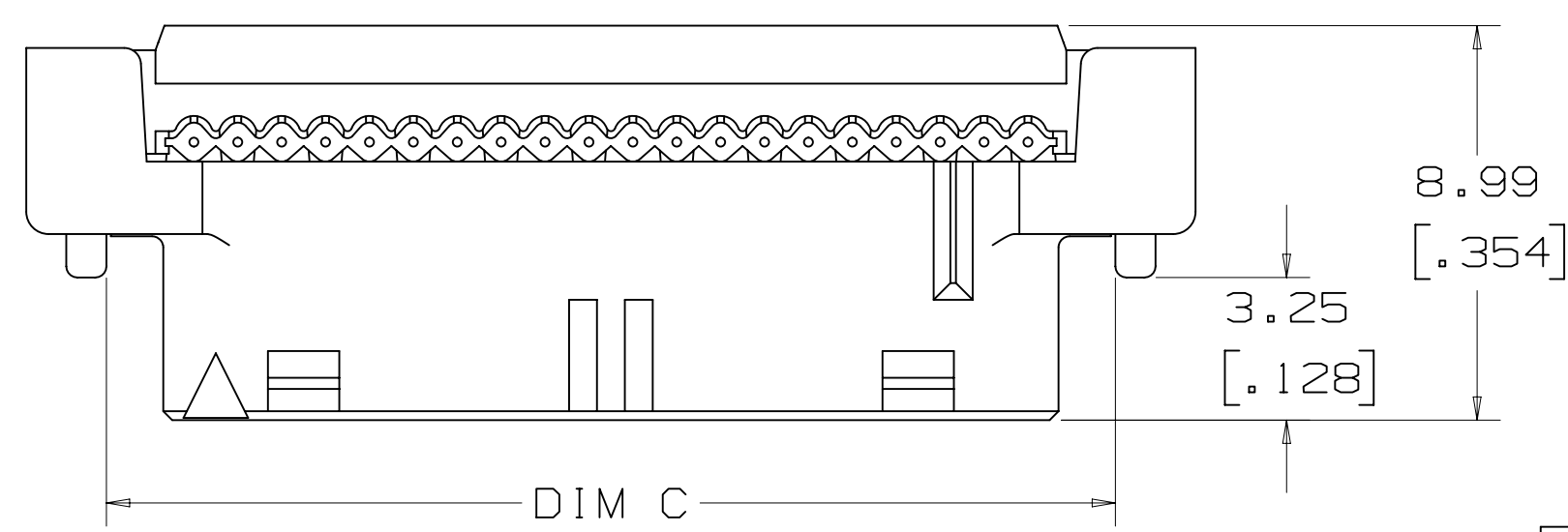
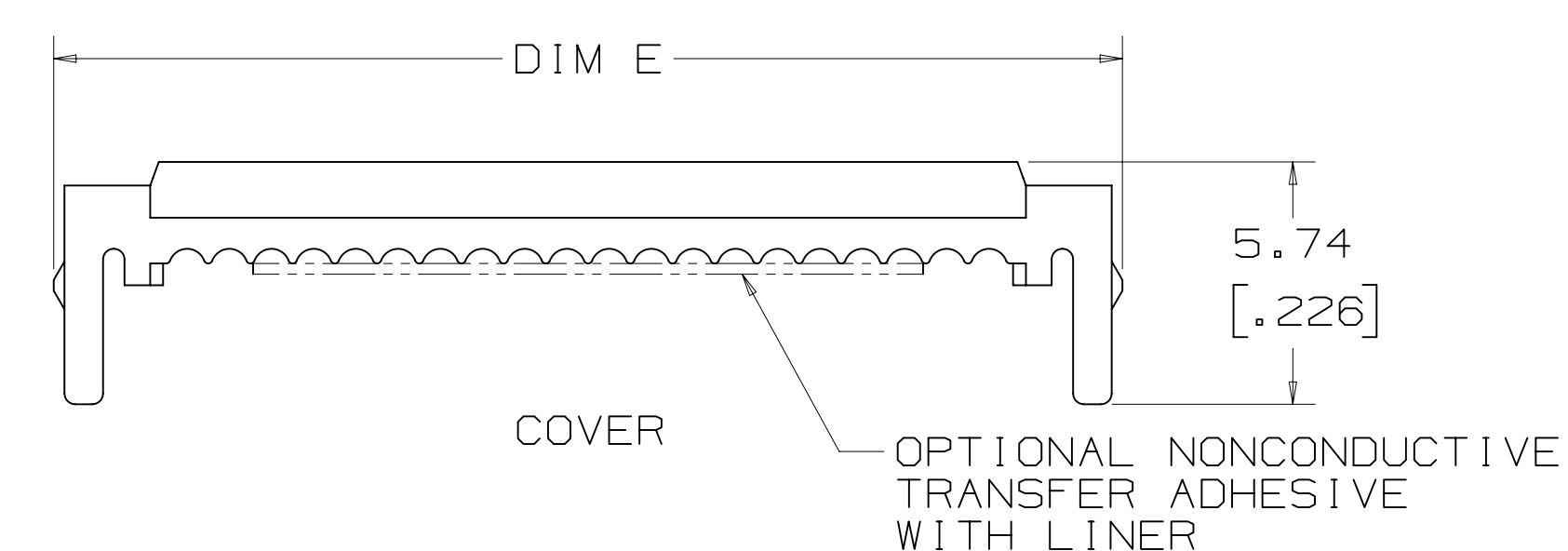


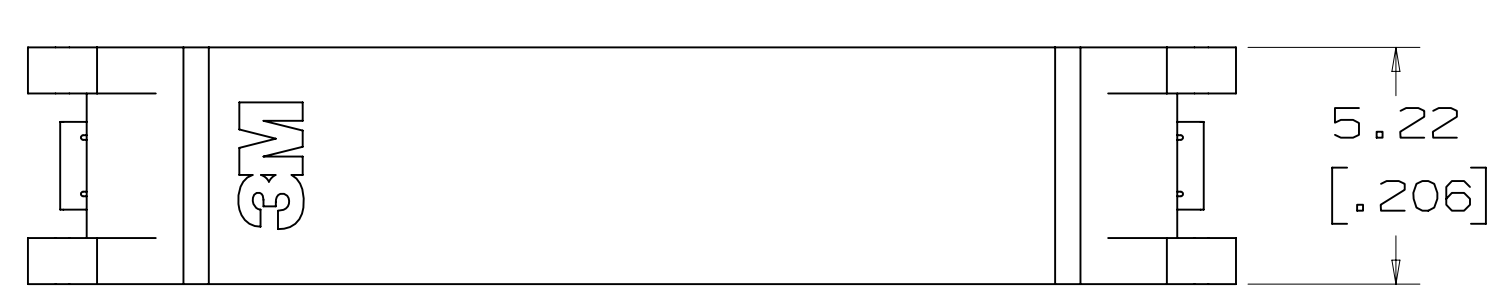
3M™ Ribbon Cable Socket 2 mm X 2 mm Pitch 158 Series



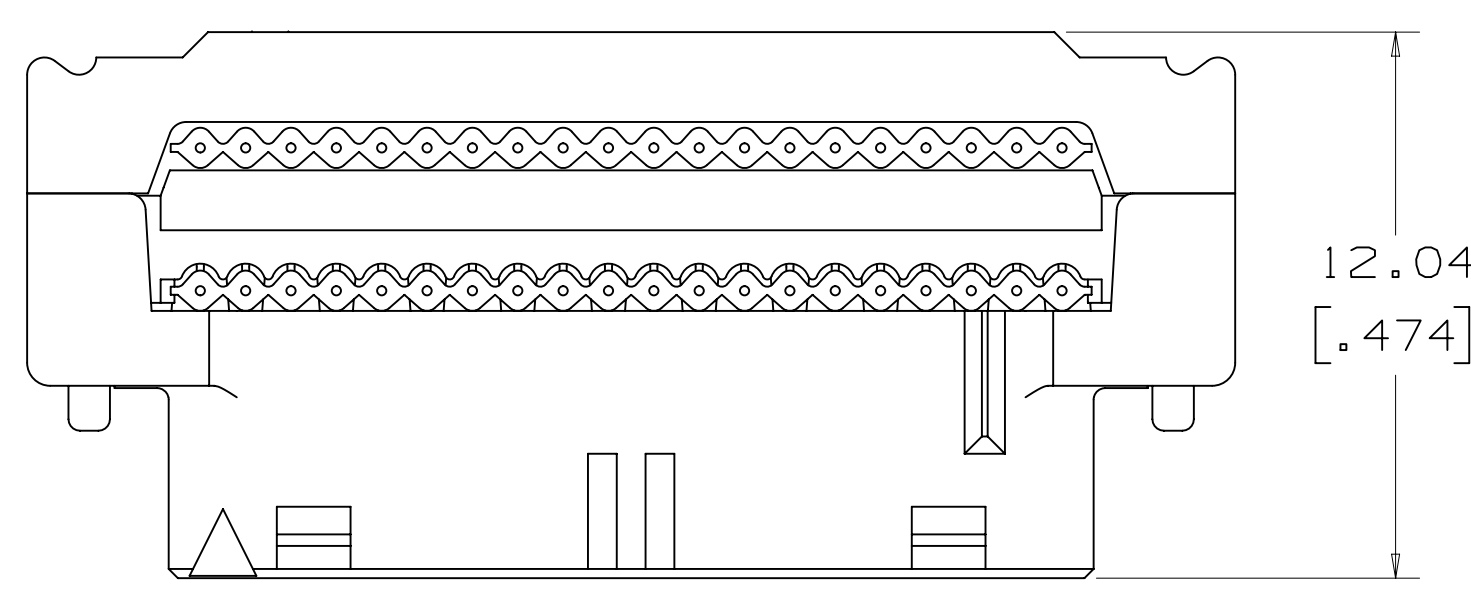
PREASSEMBLED HEIGHT WITH COVER



ASSEMBLED HEIGHT WITH COVER



STRAIN RELIEF



ASSEMBLED HEIGHT WITH COVER AND STRAIN RELIEF

PERFORMANCE [7] [8]	
CURRENT:	1.25 A, ALL LINES ENERGIZED 2.75 A, 6 LINES ENERGIZED 4.75 A, 1 LINE ENERGIZED
INSULATION RESISTANCE:	>1X10 ⁹ OHMS AT 500 VDC
WITHSTANDING VOLTAGE:	500 VACrms AT SEA LEVEL
TEMPERATURE RATING:	-55°C TO +105°C

- NOTES
- MATERIAL:
BODY: HIGH TEMP GLASS FILLED POLYESTER, GRAY UL94V-0
CONTACTS: COPPER ALLOY
 - PLATING:
2.03-3.81 μm [80-150 μin] NICKEL UNDERPLATE
0.38 μm [15 μin] OR 0.76 μm [30 μin] AVG GOLD ON WIPING AREA.
 - RIBBON CABLE:
RECOMMENDED: 3M™ 3625 (28 AWG, 7 STRAND).
 - APPLICATION TOOLS:
3460 PRESS (OR EQUIVALENT) 3443-119 LOCATOR PLATE, 3442-9 PLATEN
SEE 3M INSTRUCTION SHEET 78-9101-2810-3.
 - MATES WITH 3M™ HEADERS 159 SERIES (REFERENCE 3M DRAWING 78-5100-2359-7). (0.51 mm [.020 in] SQ, CROWNED PINS).
 - SEE THE REGULATORY INFORMATION APPENDIX (RIA) IN THE "RoHS COMPLIANCE" SECTION OF WWW.3MCONNECTOR.COM FOR COMPLIANCE INFORMATION (RIA E1 & C1 APPLY).
 - FOR PRODUCT SPECIFICATIONS AND WARRANTY INFORMATION SEE 3M 78-5102-0078-1.
 - IN THE EVENT OF CONFLICT BETWEEN THIS DATA AND THAT CONTAINED IN THE PRODUCT SPECIFICATION, THE PRODUCT SPECIFICATION TAKES PRECEDENT.

REV	ECO	ISSUE DATE AND DESCRIPTION	DRFT	CHKD
F	51692	DEC 16, 2013 ADD UL SYMBOLS	SJS	SAN
E	41488	JUN 21, 2012 REVISED CURRENT RATING IN PERFORMANCE TABLE	LDS	SAN
D	37252	NOV 04, 2011 REVISED ORDERING INFORMATION REV C HISTORY REMOVED	LDS	SF
A	30741	OCT 28, 2010 INITIAL RELEASE	LDS	SF

DESIGN REFERENCE	NEXT ASSEMBLY	REV	DATE	DATE	DATE
		L. SCHMIDT	JUL 23, 2010	MFG	
				APPV	S. FELDMAN
				DATE	JUL 30, 2010

DO NOT SCALE DRAWING	SCALE 6/1	TOLERANCES EXCEPT AS NOTED
THIRD ANGLE PROJECTION	INCHES	.00 ±
INTERPRET PER ASME Y14.5 - 1994	MILLIMETERS	0 ±
MAX SURFACE ROUGHNESS		.00 ± .13
125		.000 ±
☑ ALL SURFACES		
☑ MARKED ONLY		
	ANGLES ±1°	

		© 3M COPYRIGHT 2010 This document and the information it contains are 3M property and may not be reproduced or further distributed without 3M permission, or used or disclosed other than for 3M authorized purposes. All rights reserved.
TITLE 3M RIBBON CABLE SOCKET 2 MM X 2 MM PITCH 158 SERIES		
CAGE NUMBER	SIZE	DRAWING NO.
125	D	78-5100-2358-9
REV.	F	
MODEL	SHT 1 OF 3	

METRIC [ENGLISH]

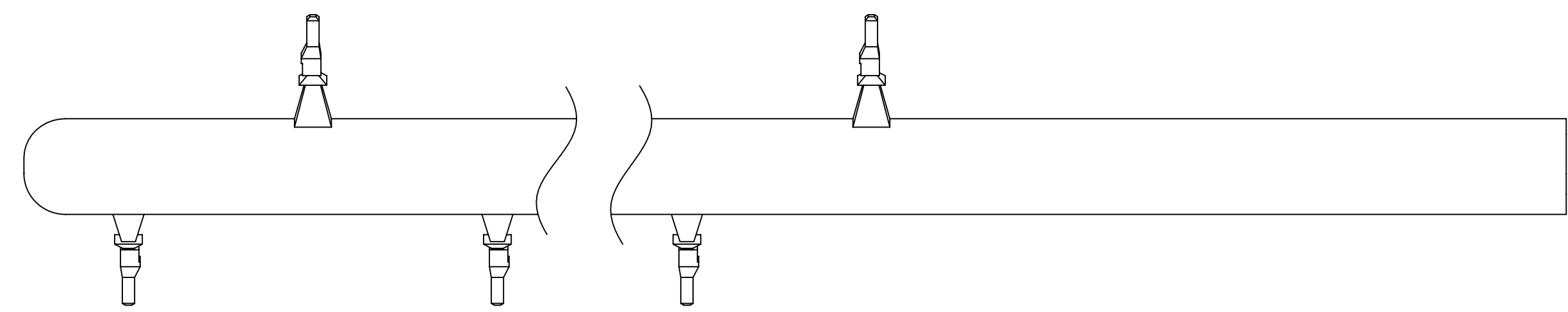
 UL FILE NO: E68080

78-5100-2358-9
DRAWING NUMBER

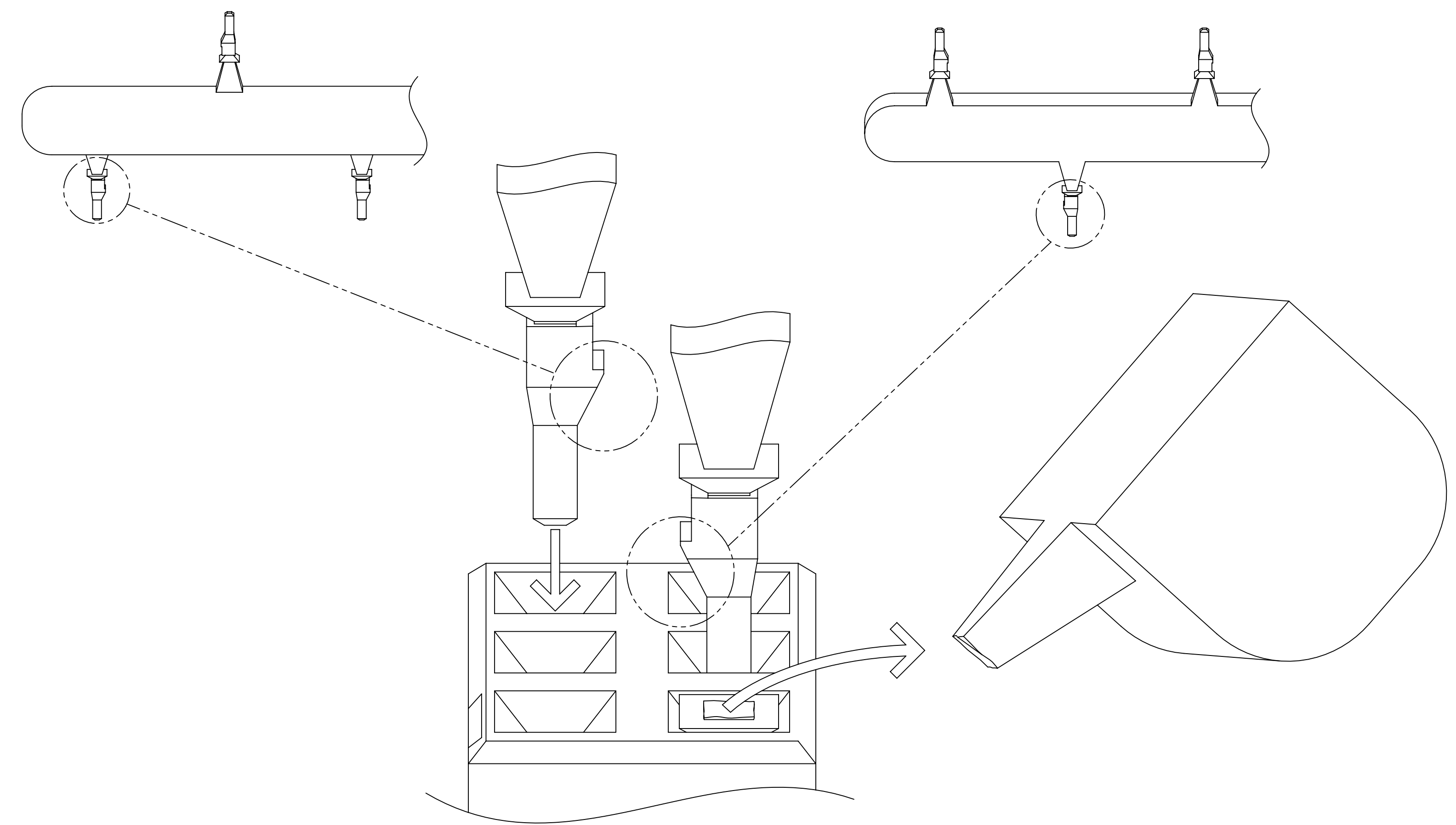
F
REVISION

A

3M™ Ribbon Cable Socket 2 mm X 2 mm Pitch 158 Series



POLARIZING KEY
3435-152200



POLARIZING KEY ORIENTATION AND INSTALLATION

RIBBON CABLE SOCKET ACCESSORIES

DESIGN REFERENCE	NEXT ASSEMBLY	REV	ECO	ISSUE DATE AND DESCRIPTION	DRFT	CHKD
		DRP	DATE	MFG	DATE	DATE
		L. SCHMIDT	JUL 23, 2010			
		CHKD	DATE	APPV	DATE	DATE
				S. FELDMAN	JUL 30, 2010	
DIVISION		DIVISION CODE				
DO NOT SCALE DRAWING	SCALE 1/1	TOLERANCES EXCEPT AS NOTED				
THIRD ANGLE PROJECTION		INCHES				
INTERPRET PER ASME Y14.5 - 1994		MILLIMETERS				
MAX SURFACE ROUGHNESS		ANGLES ±1°				
125 <input type="checkbox"/> ALL SURFACES						
<input checked="" type="checkbox"/> MARKED ONLY						
		© 3M COPYRIGHT 2010 This document and the information it contains are 3M property and may not be reproduced or further distributed without 3M permission, or used or disclosed other than for 3M authorized purposes. All rights reserved.				
		TITLE 3M RIBBON CABLE SOCKET 2 MM x 2 MM PITCH 158 SERIES				
		CAGE NUMBER	SIZE	DRAWING NO.	REV.	
		D		78-5100-2358-9	F	
		MODEL	DET		SHT 3 OF 3	
				<input type="checkbox"/> YES <input checked="" type="checkbox"/> NO		

METRIC [ENGLISH]

78-5100-2358-9
DRAWING NUMBER

A