

U | Contact

Connection systems for printed circuit boards



Members of METZ CONNECT



Innovative product systems – continuous connections

2015 | 2016

U | Contact

Connection systems
for printed circuit boards

The range of product catalogs from METZ CONNECT

By our range of product catalogs we really get things handy for you: concise information and highly interesting innovations across all our three product ranges **U|Contact**, **C|Logline** and **P|Cabling**.

Use our product range catalogs to learn more about our connection systems for printed circuit boards and devices, our intelligent system and switch cabinet components or our network cabling options.



U|Contact

Printed circuit board and device connection techniques



P|Cabling

Cabling solutions in the copper and fiber optic techniques for building and industrial cabling applications



C|Logline

Intelligent components for systems and switch cabinets

Table of contents

Preface/Company philosophy	5
----------------------------	---

U | Contact

PC board connectivity

1	PC board terminal blocks	17
2	Pin headers & female connectors	139
3	Board-to-board connectors	199
4	PCB jacks/plugs RJ/USB	225
5	PC board jacks Ethernet M12	273
6	Accessories	283
7	Cross range application solutions	300
8	Type- and Crosslist	303
9	Generic specifications	321
	Index	333
	Contact	344
	General remarks	348



Dear business partners, dear customers,

For the last few years, the METZ CONNECT group has already had a globally oriented growth strategy, in which the activities and processes of the METZ CONNECT companies and organisations had been brought together on a global level. This has given METZ CONNECT energy from the synergistic effects and the more slimline processes for putting into practice our vision of a "Connectivity Specialist" who offers high-quality connection technology for the modern world of communications – from the printed circuit board to the Internet.

Especially against the background of a constantly increasing global networking the focus lies – besides a consistent appearance of METZ CONNECT – on a global availability of METZ CONNECT products. Everything is growing together and borders are losing their importance. Industry 4.0 and Internet of Things (IoT) are the current topics that move the markets. Complex supply and production chains in the industry. Convenient, safe and energy efficient types of building automation (Smart Living). A smart traffic infrastructure. All this requires intelligent networking of the devices and components involved. METZ CONNECT is ready to accompany you as a competent partner: with our know-how and our standardized and customized system solutions for a consistently safe and smooth data and signal flow.

The existing METZ CONNECT product range with its diversified solutions has been expanded further, and the new products have now been integrated into the catalog. We have already informed you in our last catalog about the deliberate integration of our connection technology, in which we have divided our core competences into three core ranges:

- U|Contact** stands for the connection technologies related to printed circuit boards and devices,
- C|Logline** stands for intelligent system and switch cabinet components and
- P|Cabling** stands for cabling systems in the copper and fiber optic technologies for building and industrial cabling applications.

Our consistent connection technology and competent advice for a wide range of application solutions and customer requirements makes us the ideal partner for your demanding requirements. Let us jointly approach the projects in equipment and system construction, structured building and industrial wiring or as proven partner in wholesale distribution and support you in your daily work.

Make also use of our Internet appearance rich in contents and easy to understand. Here you will find a current overview of all novelties, products, including product-relevant documents, planning aids and mounting films. Visit us at www.metz-connect.com and see for yourself.

We are happy to meet the challenges that await us and are looking forward to advise and assist you as a real partner by our technically and economically sound solutions!

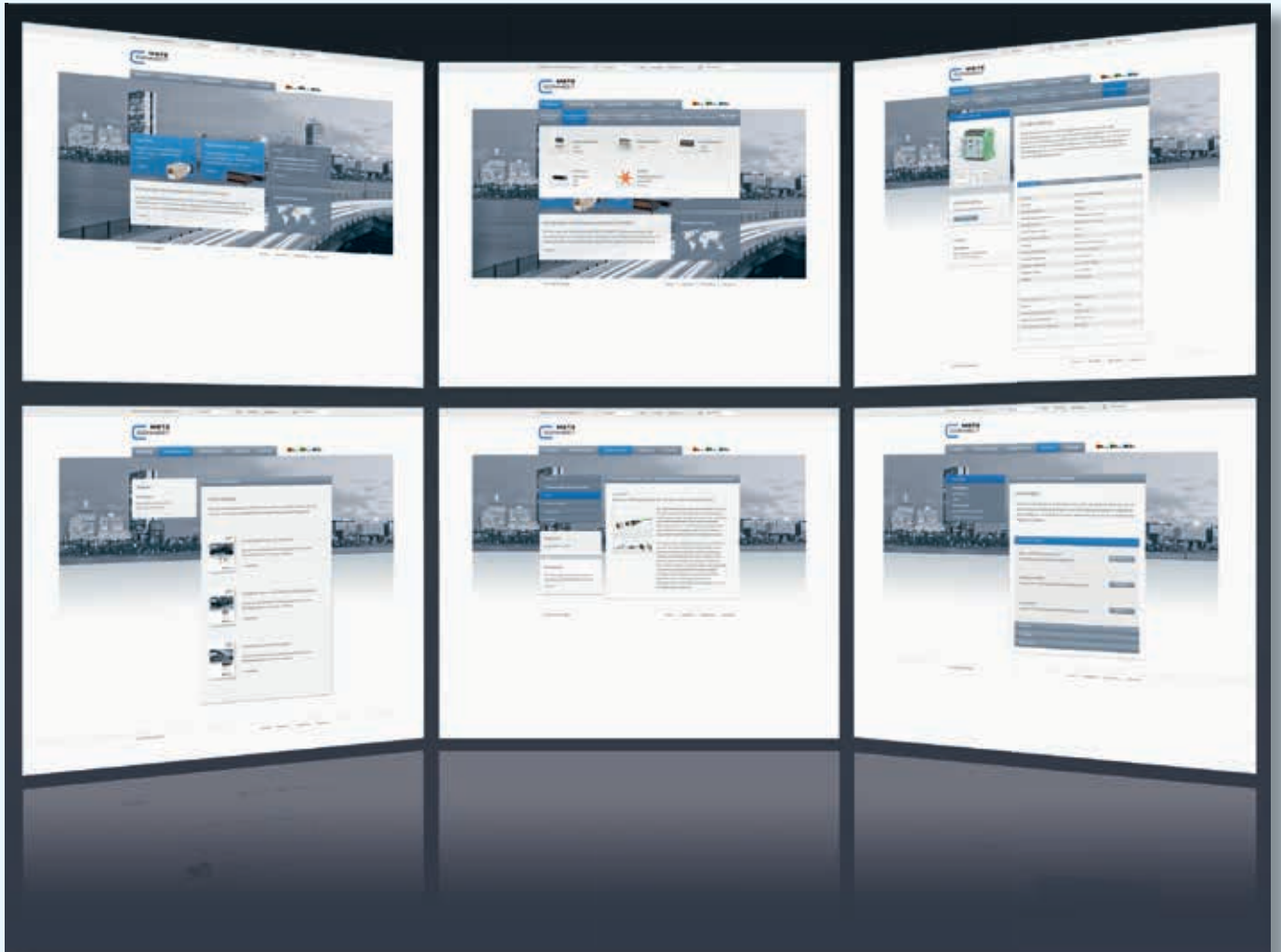


Your

Jochen Metz
(Managing Partner)

Christian Metz
(Managing Partner)

and the entire team from METZ CONNECT.



Detailed knowledge in a matter of seconds

Our product catalogs offer detailed product descriptions. But if you want to get even deeper into the details, visit us at www.metz-connect.com to get precise technical information within no time at all.

To do so, you may also use mobile tagging: Simply scan the shown QR-code using your smartphone and you will directly be connected to the METZ CONNECT homepage.



The most up-to-date connection to METZ CONNECT

Our website for even more efficiency

Ideal user-friendliness and non-stop availability, – our website www.metz-connect.com offers you the most recent news about METZ CONNECT and our products that you need for your daily business. And all this at a speed that will really impress you!

Our products

You may use different options to search for a product: the integrated navigation bar with its "Products" menu and concise structure, or the enterprise research option including its filter function or the online catalogs for all those, who wish to rely on our known product portfolio structure. A few clicks will lead you to the desired products and enable you to download all relevant documents such as data sheets, drawings or certificates. In the same time also compatible accessory components will be displayed.

Under "Services" a complete download overview will be shown presenting the entire download offer from information brochures and certificates up to test results and 3D-data.

Your contacts

Finding your right contact with METZ CONNECT, a distributor or special dealer is easy and comfortable using the country and zip-code search options under "Contact". You can also select here your global sales partner.

News(letter)

In our News area we inform you in real time on our product innovations, events and news.

In the same time you may want to subscribe to the METZ CONNECT newsletter. This will ensure that you will receive the latest information literally in real time directly on your computer.

Or just come and discover the web site of METZ CONNECT and play around with all its benefits – welcome to www.metz-connect.com!

Limitless connection

Globally, the importance of networks is ever increasing. The principles of universal, transparent information – from everywhere and at any time – and a communication with devices mapping different processes – define more and more our everyday life. And all this depends on reliable connection techniques.

To establish perfect connections is the core competence of METZ CONNECT. The METZ CONNECT group of companies offers a complete product range that stands out by its maximum system compatibility and continuity.

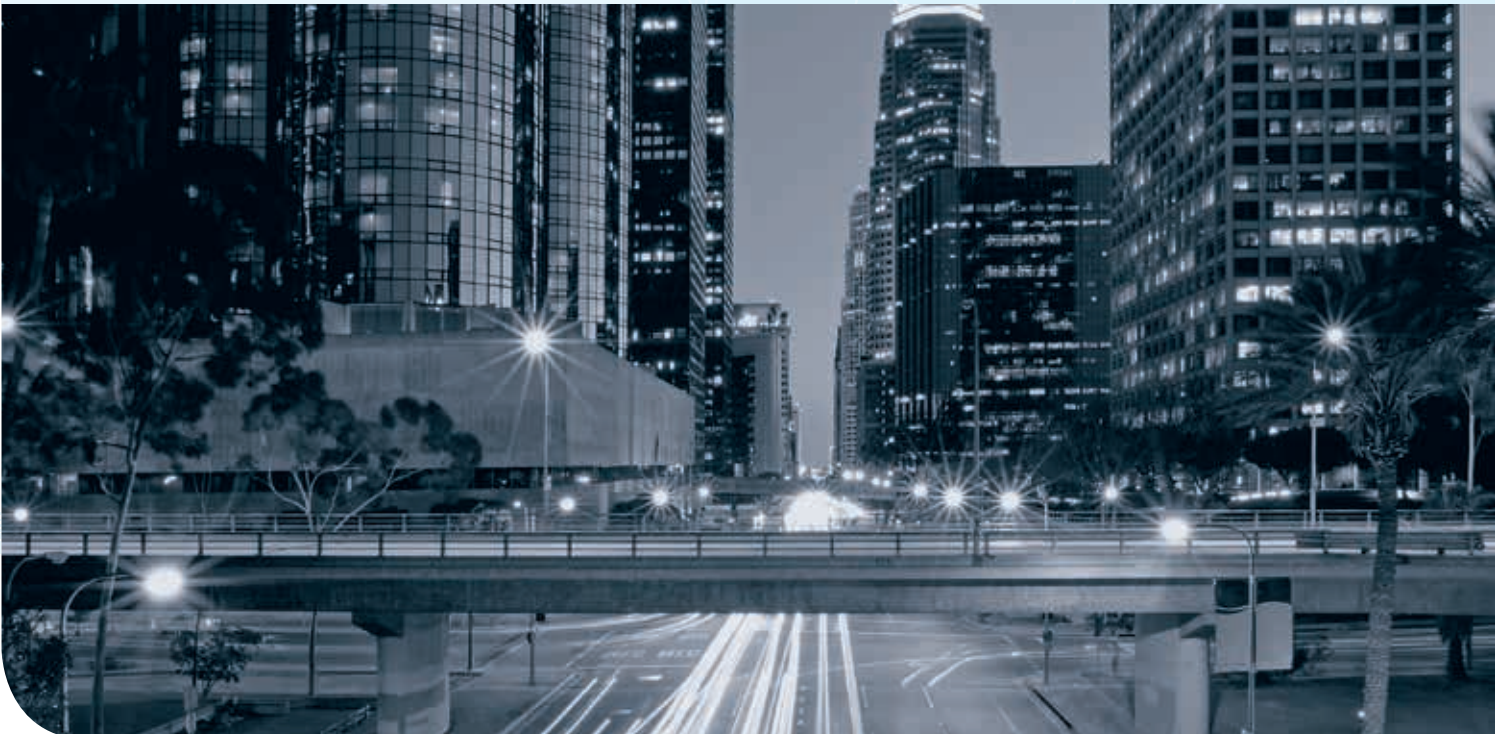
Our sophisticated portfolio and product approach in the market segments industrial electronics, data and communication technology and building services engineering guarantees smooth data flow from the printed circuit board through to connectors, cables and patch panels up to the infrastructural environment.

METZ CONNECT can thus guarantee a comprehensive, high-quality and transparent communication across all applications without system failures or performance losses. Next to the

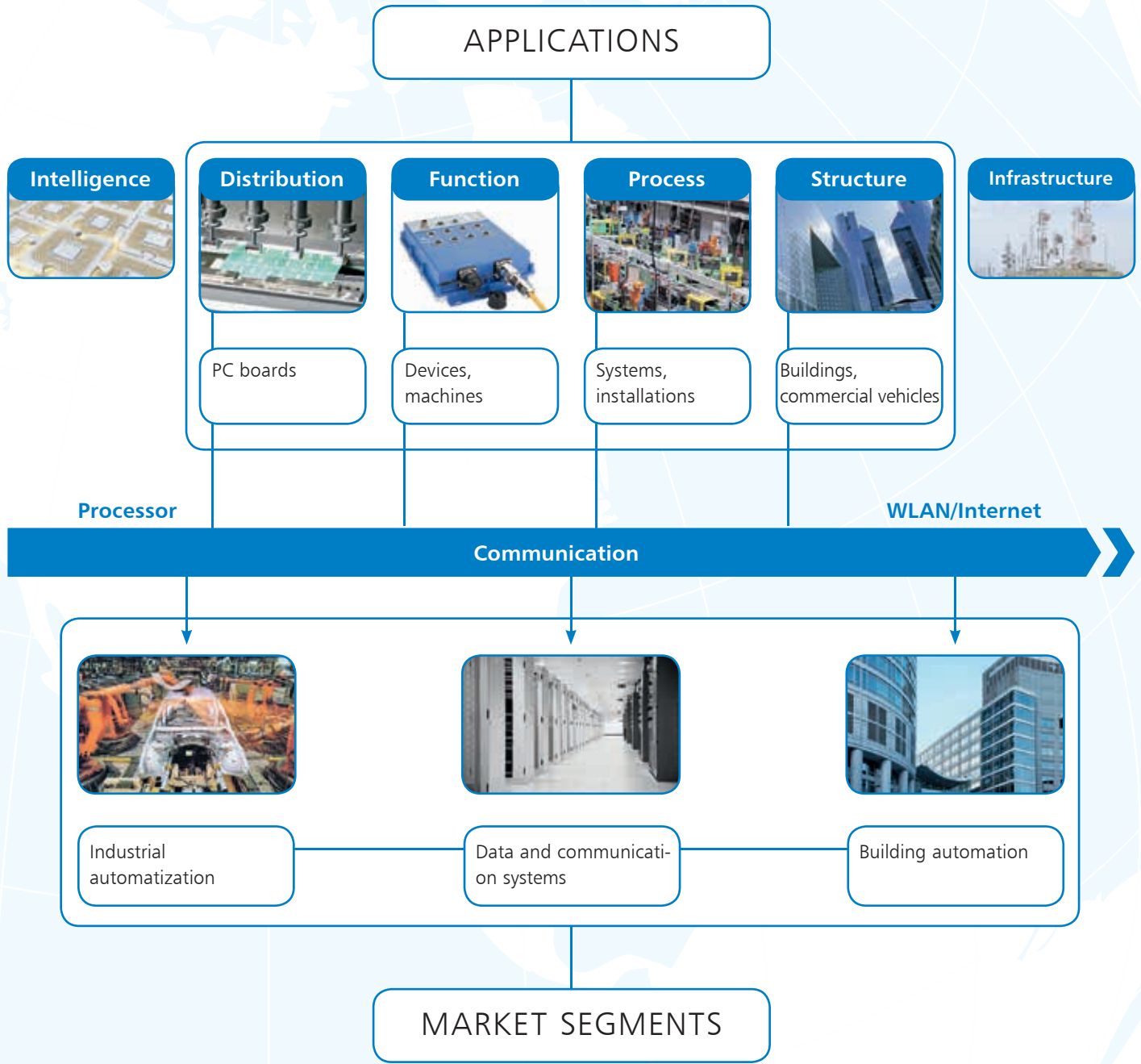
complete solutions, our group of companies offers also comprehensive services such as tailored product adaptations and new developments, qualified trainings, marketing support for our trade partners as well as a vast information program.

METZ CONNECT excels by quality – resulting from its intelligent company-internal value adds and perfectly harmonized processes from a product idea up to its delivery and commissioning. Our quality management system enables processes that are free from losses and protect the environment. An additional competitive advantage for our customers: METZ CONNECT supplies complete solutions as one single provider.

To do so, we rely on our own stamping shops, plastic mold injection and tooling shops, testing laboratories, internal assembly units and experts in construction and programming of tools and production automation.



All from one single source – for your competitive advantage



A product range, which connects everything

METZ CONNECT offers a universal range of products from printed circuit boards up to terminal devices. As your customer-oriented solutions partner, we subdivided our diversified, user-friendly and internationally standardized components and/or systems into three well structured arrays.

Under the name of **U|Contact** we bundle innovative connectivity products and solutions for printed circuit boards for a use with all modern techniques applied in the assembly of printed circuit boards. Products that are compatible with the standards of the markets as well as tailored product solutions for industrial controls and building automation are our core strengths in this field. This includes terminal blocks, board-to-board connectors as well as peripheral connectors (RJ, M12, USB) for different applications and protection classes.

P|Cabling includes highly specified, internationally standardized and powerful connection components and connection systems in the copper and fiber optic techniques. These solutions are used in structured building and industry cabling applications and for data centers. Convenient installation, maximum quality and perfect system compatibility across all important performance classes are the main characteristics of our modular inserts, connectors, wall outlets, patch panels, distributors, IP-protected plug connectors and patch and installation cables.

C|Logline stands for intelligent system components for a highly communicative and decentralized control in the application and product areas building automation, measurement and monitoring relays, interface modules, industrial relays and telecommunication.

In addition we offer cross range system solutions. Perfectly harmonized connection systems with a protection degree of IP67 facilitate fast, safe and flexible connections of devices using optical coupler, RJ45 or Ethernet M12 connections.



Customer-oriented solutions provider

U | Contact

Printed circuit board and
device connection technology

Terminal blocks,
pin headers



Connectors



Board-to-board



C | Logline

Intelligent components

Bus modules



Ethernet I/Os



Components for
electrical cabinets



P | Cabling

Cabling systems
Fiber Optic & copper

Connectors



Wall outlets,
patch panels



Patch cords, lines



Innovative product systems – continuous connections

U | Contact



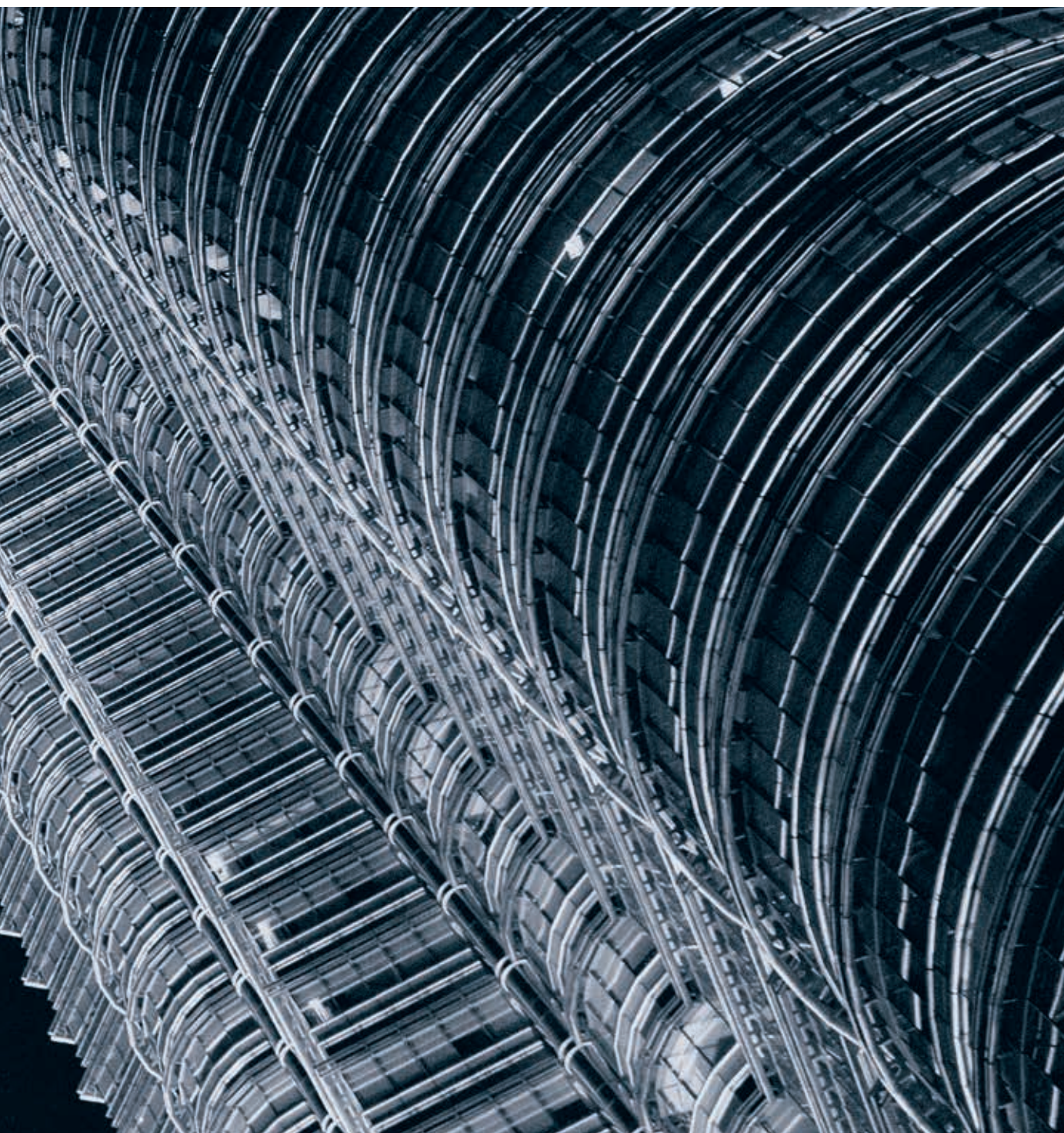


PC board connectivity

U|Contact – innovative product systems for PC board connectivity

METZ CONNECT offers you connection systems for circuit boards and devices in a whole range of models. Continuous improvement and permanent extensions of our product portfolio tailored to connection systems for printed circuit boards and devices have earned us a reputation as trusted and safe partner.

Through its product range U|Contact METZ CONNECT offers continuous connections for all common techniques in the population of printed circuit boards. Products complying with the standards of the markets as well as customer-specific solutions and connection systems for devices geared to industrial electronics and building services engineering are our core competencies in this field.



U|Contact product key

The product key for the U|Contact range of products offers customers a contemporary, uniform and easy-to-understand numbers system for all series of products.

The advantage: This product key describes the products according to their characteristics and thus creates transparency in the ordering and logistics processes.

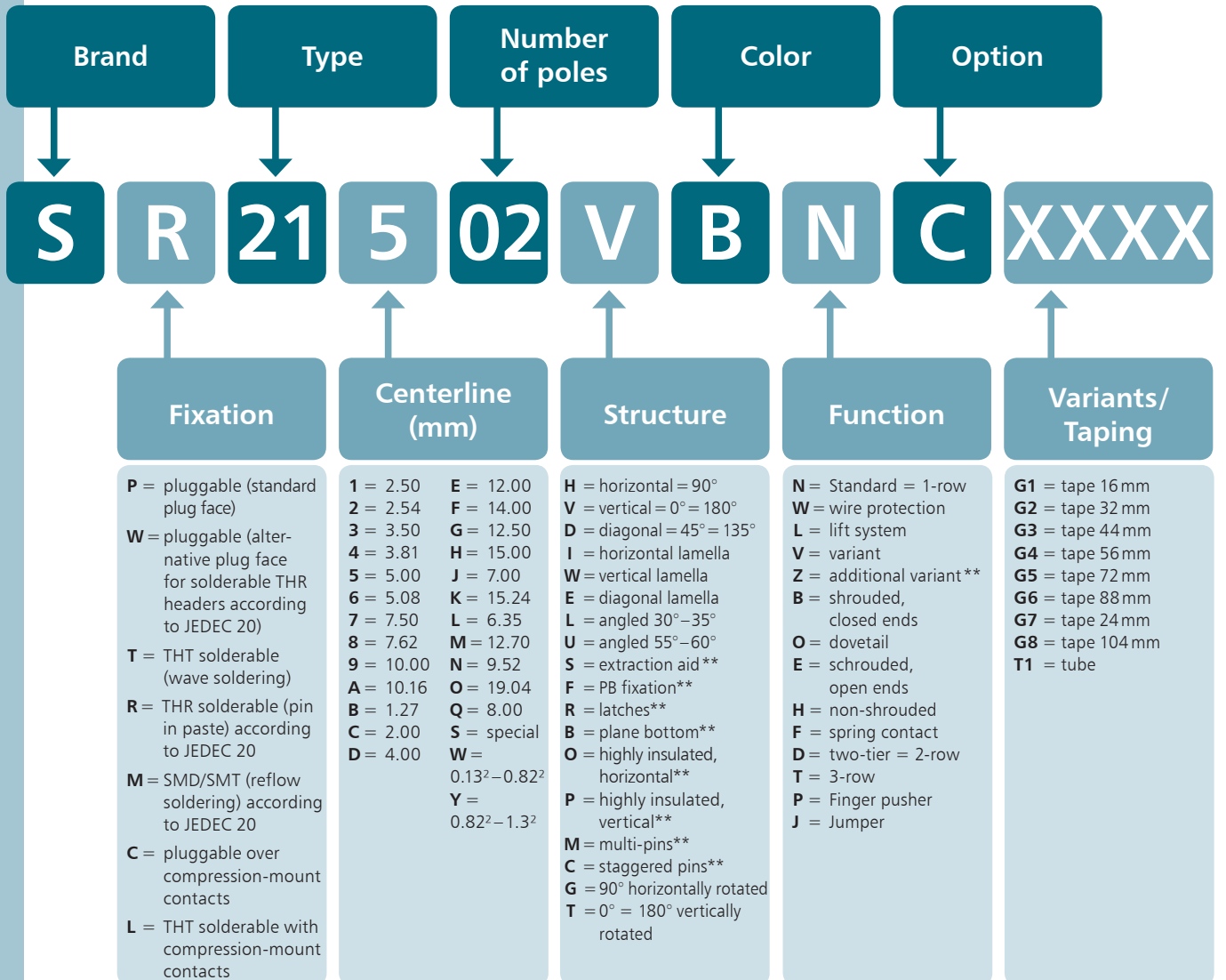
Product families provide for a plain overview of the components and allow you to quickly identify the product properties such as fixation, center line, number of positions, etc.

The variety of types has thus been reduced and combined to articles with identical features to make administration easier.

- N** = normal, wire feed non-codeable side
- O** = normal, wire feed codeable side
- F** = flange, wire feed non-codeable side
- S** = flange, wire feed codeable side
- U** = sequencing possible*, wire feed non-codeable side
- V** = sequencing possible*, wire feed codeable side
- C** = fittable*, wire feed non-codeable side
- D** = fittable*, wire feed codeable side
- L** = connection left-hand side
- R** = connection right-hand side
- T** = flat design
- Z** = micro sd card slot
- H** = two body material

- B** = black
- G** = green
- R** = red
- O** = orange
- D** = gray
- W** = white
- Y** = yellow
- N** = nature
- H** = blue
- E** = brown
- V** = violet
- X** = colorless
- M** = multi-color

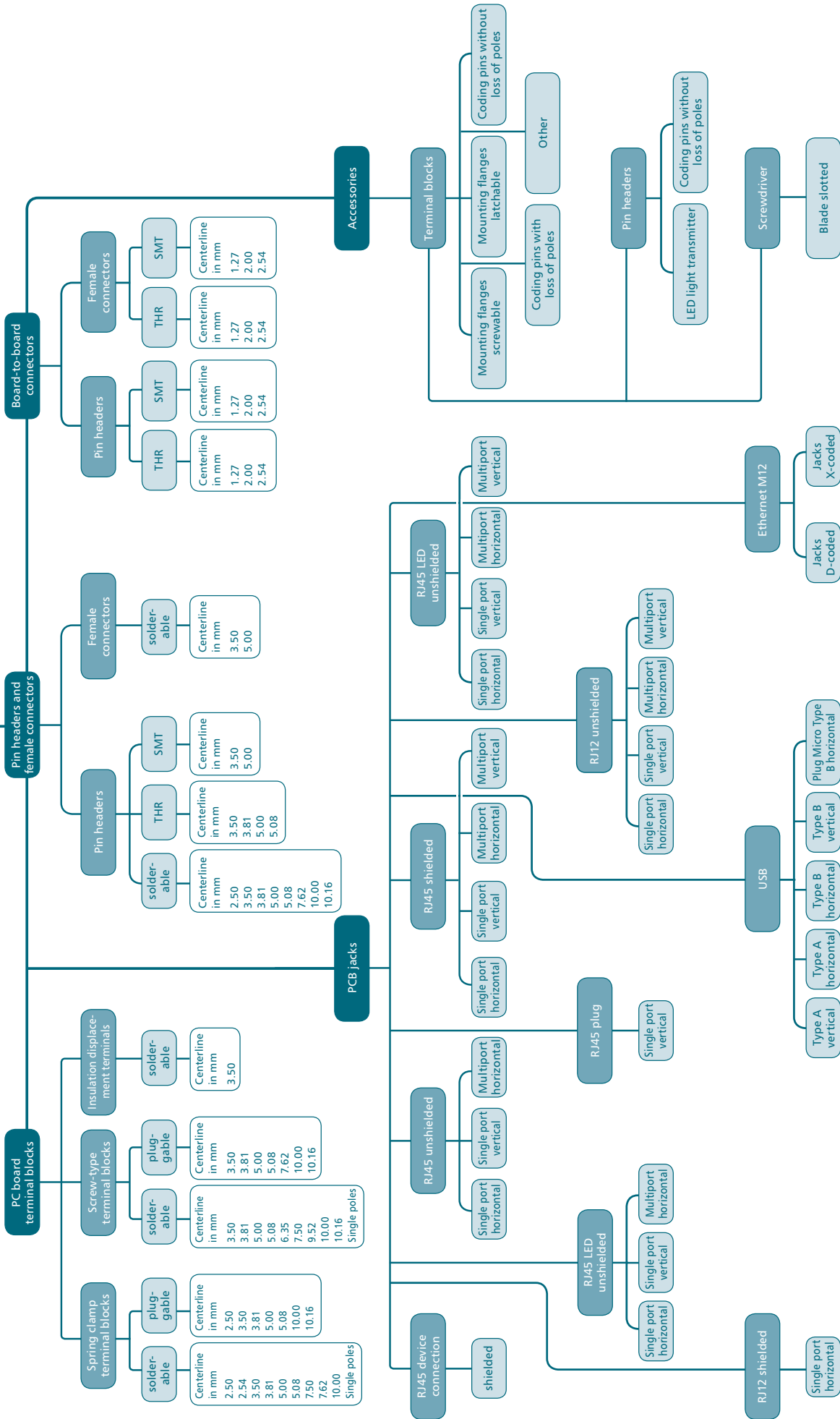
- R** = Screw-type terminal blocks
- P** = Pin headers
- S** = Spring clamp terminal blocks
- I** = Insulation displacement terminal blocks
- F** = Female connectors



* Sequencing possible means the mechanical sequencing without loss of poles (by dovetails) | Fittable stands for a loose sequencing without loss of poles (without dovetails)

** Only applicable if two variants are available.

U|Contact



PC board terminal blocks

1	Overview PC board terminal blocks	18
2	Spring clamp terminal blocks	20
3	Screw type terminal blocks	66
4	IDC type terminal blocks	134

PC board terminal blocks



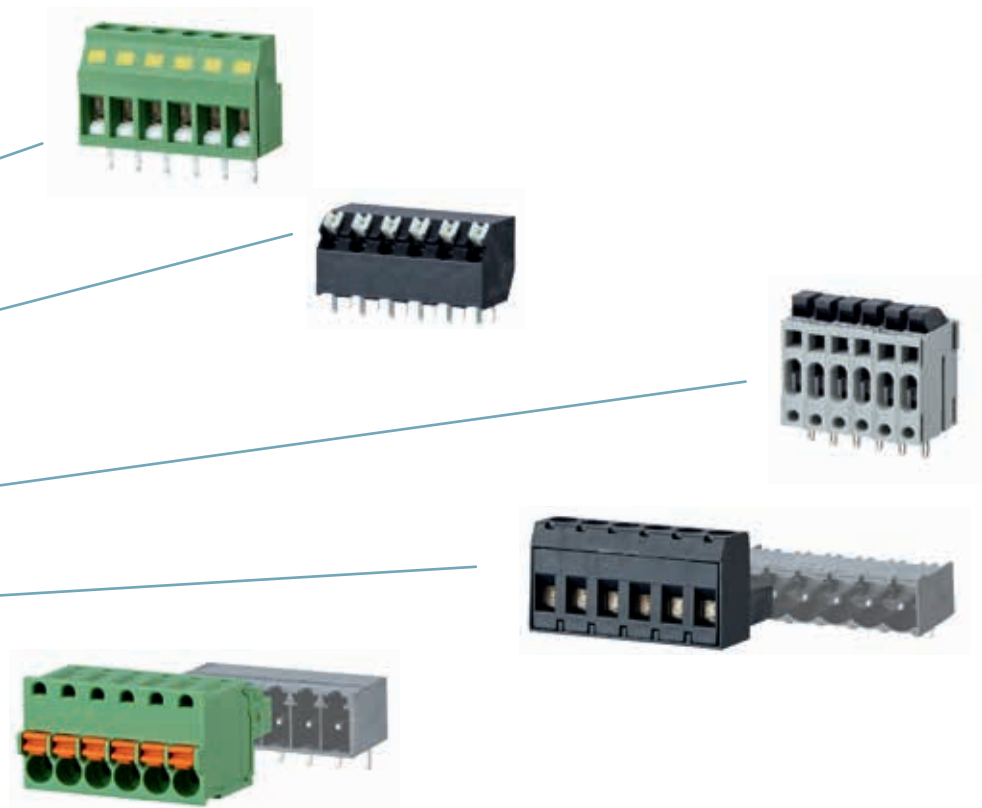
PC board terminal blocks

Tried and tested – METZ CONNECT has successfully marketed terminal blocks for printed circuit boards worldwide for decades. The portfolio incorporates products for signal and data streams, medium control streams and network connection terminals and output terminals.

Complete – a permanent expansion of the proven range as well as constant improvement and further development of our products are the declared goal in order to be able to offer you complete and high-quality solutions for your applications.

All from one single source – regardless of what you need in detail – products that result from joint developments, from design-in concepts based on existing or modified products or catalogs items – we will fully meet your demands in terms of PC board connectivity.

Future-oriented – in line with the market trends, our focus is on products that are also suitable for automated production. Whether it's designs for through-hole-reflow (THR) or surface mount technology (SMT) – we have the solution for you. We do of course also supply these products in the "Tape & Reel" packaging required for automation.



Spring clamp terminal blocks

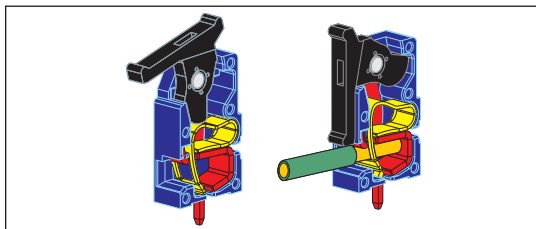
Design specification

The **product family** consists of terminal blocks that are based on a spring clamp connection. By spring clamp connection, we mean an electrical connection that is created by clamping an individual of an individual, isolated conductor using a spring. It is suitable for solid wires and multi-wire strands of 0.08–2.5 mm² rated section and enables:

- direct terminal without pre-treatment of conductor
- direct terminal with splice protection
- indirect terminal via wire end sleeve or pin cable shoe

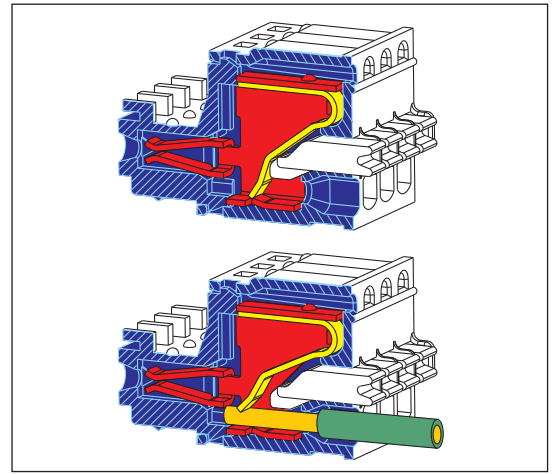
Spring clamp terminal block with cage clamp (with and without eccentric lever)

- with eccentric lever open terminal chamber in the delivery status
- with eccentric lever tool-less connection of the conductors
- very short assembly times
- the closed power system inside the terminal block prevents pressure from being applied onto the circuit board at the time of connection
- gas-proof connection at the terminal point
- sequenceability of different colors
- can be installed in the housing
- the spring adapts automatically to changed conductor sections



Spring clamp terminal block with leaf spring

- solid wires can be connected by simple insertion without actuation
- stranded wires and thin solid wires are connected using a standard screwdriver
- short assembly times
- gas-proof connection at the terminal point
- sequenceability of different colors
- can be installed in the housing
- the spring adapts automatically to changed conductor sections



Reflow-compatible components

METZ CONNECT offers a wide range of spring clamp terminal blocks in reflow-compatible designs. The demand for reflow-compatible components is constantly growing thanks to ever increasing degrees of automation in the production processes.



"Tape & Reel" is the name given to a taped form of packaging. The aim of this packaging variant is to automate production processes. The components are packed in a blister tape and welded with a protective foil. This tape is then wound round a reel. Taping corresponds to DIN EN 60286.

Spring clamp terminal blocks

Printing options

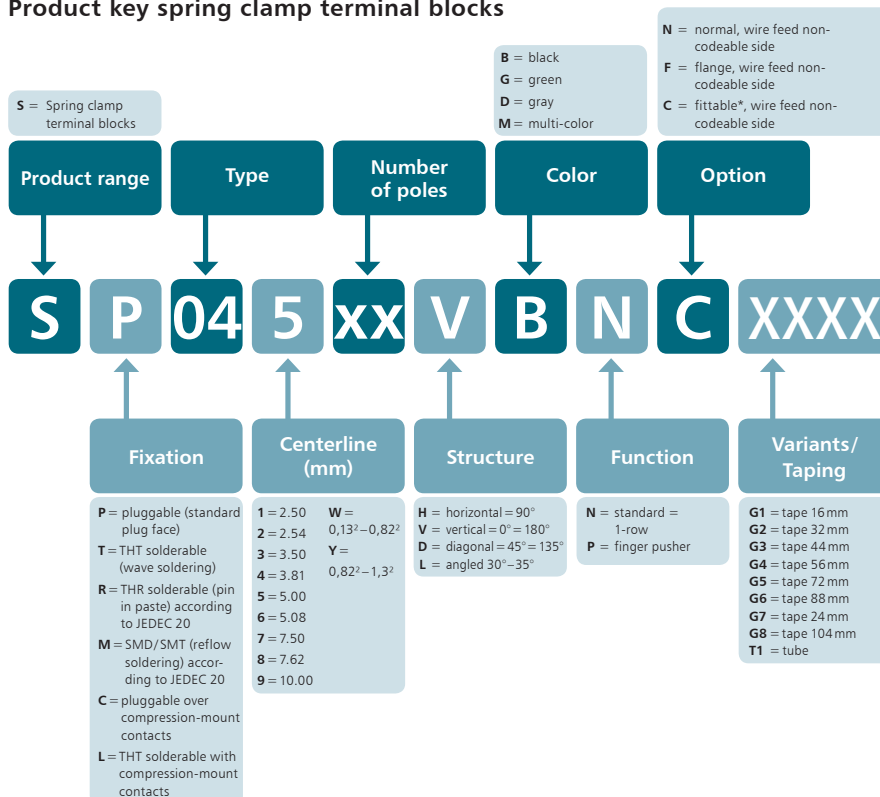
We offer individual printing of your terminal blocks. Figures or symbols, anti-clockwise or clockwise, legible or bottom up depending on the technical feasibility. Ink-jet print, pad printing and hot stamping are available as methods. Design your individual terminal block with us.

Color options

You can order the terminal blocks in a variety of sizes and also often vary the colors within a terminal block, if required. This is for instance helpful in housing integration to achieve an optically attractive overall picture or to use this as a further coding option. We would be pleased to advise you on the possible combinations.













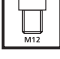















Product key spring clamp terminal blocks

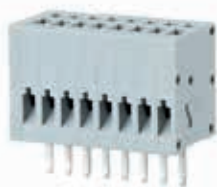


* Fittable stands for loose sequencing without loss of poles (without dovetails).

Symbol Definition

Guiding icons

	Spring clamp terminal block		Wire protector
	IDC terminal block		modular
	Screw type terminal block		Pin header for vertical mounting
	Pin header		Shrouded pin header for vertical mounting
	Female connector		Pin header with open ends for vertical mounting
	Ethernet M12		Pin header with closed ends for vertical mounting
	solderable		Pin header for horizontal mounting
	pluggable		Shrouded pin header for horizontal mounting
	Centerline		Pin header with open ends for horizontal mounting
	Wire entry 90°		Pin header with closed ends for horizontal mounting
	Diagonal wire entry		designed for THR
	Wire entry 0°		designed for SMT
	Lift system		Tape & Reel possible



* Approval pending



Product family Pole size Color Option
ST061xxHDNN*(AST061)
Centerline Design Function *old product name

- spring clamp terminal block, solderable
- centerline 2.50 mm, direction of connection 90°
- color gray
- without eccentric lever

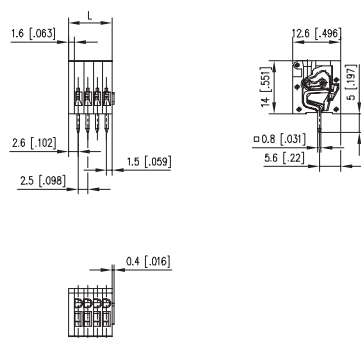
Technical data

UL ^{us} V / A / AWG 130 / 10 / 28 - 20

SEV 0.5 mm² 130 V / 6 A / T60

Overvoltage category	III	III	II
Pollution degree	3	2	2
Rated voltage	80 V	320 V	320 V
Rated test voltage	2.5 kV	2.5 kV	2.5 kV
Insulating material class	CTI 600		
Rated wiring solid wire	0.2 - 0.5 mm ²		
Rated wiring stranded wire	0.2 - 0.5 mm ²		
Rated wiring solid wire	AWG 28 - 20		
Rated wiring stranded wire	AWG 28 - 20		
Clearance and creepage distances	1.7 mm		
Solder pin dimension	0.8 x 0.8 mm		
Recommended pc board hole dia.	ø 1.3 mm		
Solder pin length	5 mm		
Protection category according to IEC 60529	IP 20		
Min. insul. strip length	6 mm		
Color	gray		

Dimensional drawing



L = (Pole size - 1) * centerline + 4.1 mm (0.161 in.)

P/N

Complete the part number by adding the pole size.

AST061		02	03	04	05	06	07	08
	09	10	11	12	13	14	15	16
	17	18	19	20	21	22	23	24

(Information: page 21)

Standard pole sizes



Product family Pole size Color Option
ST021xxHDNN*(AST021)
Centerline Design Function *old product name

- spring clamp terminal block, solderable
- centerline 2.50 mm, direction of connection 90°
- color gray
- eccentric lever

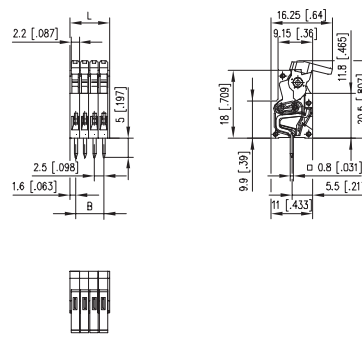
Technical data

UL ^{us} V / A / AWG 150 / 8 / 28 - 20

SEV 0.5 mm² 130 V / 6 A / T60

Overvoltage category	III	III	II
Pollution degree	3	2	2
Rated voltage	80 V	320 V	320 V
Rated test voltage	2.5 kV	2.5 kV	2.5 kV
Insulating material class	CTI 600		
Rated wiring solid wire	0.2 - 0.5 mm ²		
Rated wiring stranded wire	0.2 - 0.5 mm ²		
Rated wiring solid wire	AWG 28 - 20		
Rated wiring stranded wire	AWG 28 - 20		
Clearance and creepage distances	1.7 mm		
Solder pin dimension	0.8 x 0.8 mm		
Recommended pc board hole dia.	ø 1.3 mm		
Solder pin length	5 mm		
Protection category according to IEC 60529	IP 20		
Min. insul. strip length	6 mm		
Color	gray		

Dimensional drawing



L = (Pole size - 1) * centerline + 3 mm (0.118 in.)

P/N

Complete the part number by adding the pole size.

AST021		02	03	04	05	06	07	08
	09	10	11	12	13	14	15	16
	17	18	19	20	21	22	23	24

(Information: page 21)

Standard pole sizes



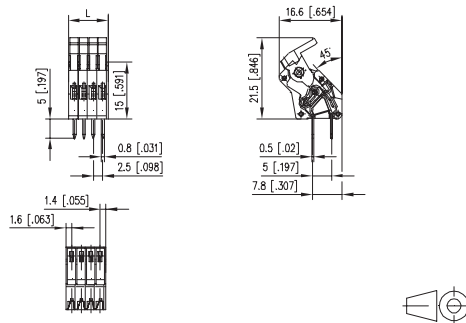
Product family Pole size Color Option
ST041xxDDNN*(AST041)
Centerline Design Function *old product name

- spring clamp terminal block, solderable, double solder pins
- centerline 2.50 mm, direction of connection 45°
- color gray
- eccentric lever

Technical data

us V / A / AWG	150 / 8 / 28 - 18
0.5 mm ²	130 V / 6 A / T60
Overvoltage category	III III II
Pollution degree	3 2 2
Rated voltage	80 V 320 V 320 V
Rated test voltage	2.5 kV 2.5 kV 2.5 kV
Insulating material class	CTI 600
Rated wiring solid wire	0.2 - 0.5 mm ²
Rated wiring stranded wire	0.2 - 0.5 mm ²
Rated wiring solid wire	AWG 28 - 18
Rated wiring stranded wire	AWG 28 - 18
Clearance and creepage distances	1.7 mm
Solder pin dimension	2 x 0.8 x 0.5 mm
Recommended pc board hole dia.	ø 1.3 mm
Solder pin length	5 mm
Protection category according to IEC 60529	IP 20
Min. insul. strip length	6 mm
Color	gray

Dimensional drawing



L = (Pole size - 1) * centerline + 3 mm (0.118 in.)

P/N

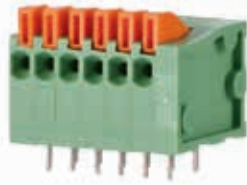
AST041

Complete the part number by adding the pole size.

<input type="text"/>	02	03	04	05	06	07	08
09	10	11	12	13	14	15	16
17	18	19	20	21	22	23	24

(Information: page 21)

Standard pole sizes



Product family Pole size Color Option
ST07 2xxHGNN *(AST072)
Centerline Design Function *old product name

- spring clamp terminal block, solderable, double solder pins
- centerline 2.54 mm, direction of connection 90°
- color green
- push-button

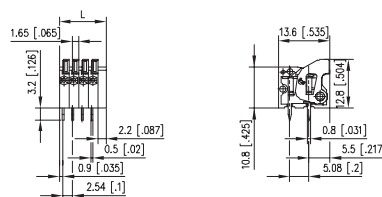
Technical data

UL us V / A / AWG 150 / 6 / 26 - 20

SEV 0.5 mm² 130 V / 6 A / T60

Overvoltage category	III	III	II
Pollution degree	3	2	2
Rated voltage	160 V	400 V	400 V
Rated test voltage	2.5 kV	2.5 kV	2.5 kV
Insulating material class	CTI 600		
Rated wiring solid wire	0.2 - 0.5 mm ²		
Rated wiring stranded wire	0.2 - 0.5 mm ²		
Rated wiring solid wire	AWG 26 - 20		
Rated wiring stranded wire	AWG 26 - 20		
Clearance and creepage distances	2 mm		
Solder pin dimension	2 x 0.8 x 0.5 mm		
Recommended pc board hole dia.	ø 1.1 mm		
Solder pin length	3.2 mm		
Protection category according to IEC 60529	IP 20		
Min. insul. strip length	10 mm		
Color	green		

Dimensional drawing



L = (Pole size - 1) * centerline + 4.74 mm (0.187 in.)

P/N

Complete the part number by adding the pole size.

AST072	<input type="text"/>	02	03	04	05	06	07	08
		09	10	11	12	13	14	15
		16	17	18	19	20	21	22
		23	24					

(Information: page 21)

Standard pole sizes



Product family Pole size Color Option
ST07 2xxVGNN *(AST082)
Centerline Design Function *old product name

- spring clamp terminal block, solderable, double solder pins
- centerline 2.54 mm, direction of connection vertical 0°
- color green
- push-button

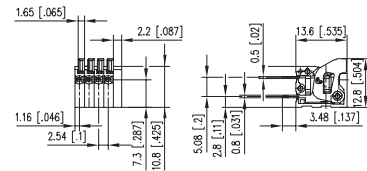
Technical data

UL us V / A / AWG 150 / 6 / 26 - 20

SEV 0.5 mm² 130 V / 6 A / T60

Overvoltage category	III	III	II
Pollution degree	3	2	2
Rated voltage	160 V	400 V	400 V
Rated test voltage	2.5 kV	2.5 kV	2.5 kV
Insulating material class	CTI 600		
Rated wiring solid wire	0.2 - 0.5 mm ²		
Rated wiring stranded wire	0.2 - 0.5 mm ²		
Rated wiring solid wire	AWG 26 - 20		
Rated wiring stranded wire	AWG 26 - 20		
Clearance and creepage distances	2 mm		
Solder pin dimension	2 x 0.8 x 0.5 mm		
Recommended pc board hole dia.	ø 1.1 mm		
Solder pin length	3.48 mm		
Protection category according to IEC 60529	IP 20		
Min. insul. strip length	10 mm		
Color	green		

Dimensional drawing



L = (Pole size - 1) * centerline + 4.74 mm (0.187 in.)

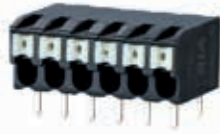
P/N

Complete the part number by adding the pole size.

AST082	<input type="text"/>	02	03	04	05	06	07	08
		09	10	11	12	13	14	15
		16	17	18	19	20	21	22
		23	24					

(Information: page 21)

Standard pole sizes



Product family Pole size Color Option
SR213xxHBNC *(AST223)
Centerline Design Function *old product name

- spring clamp terminal block, THR solderable, double solder pins
- centerline 3.50 mm, direction of connection 90°
- fittable without loss of poles
- color black
- Tape & Reel packaging
- push-button

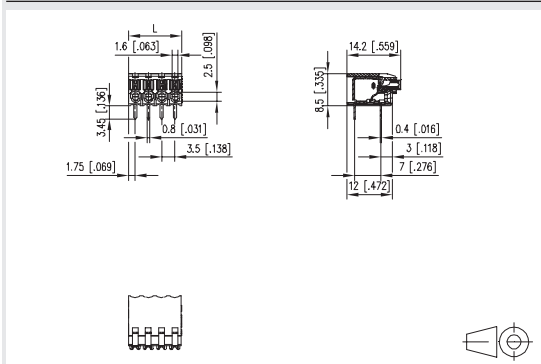
Technical data

V / A / AWG 150 / 10 / 28 - 16

1.5 mm² 130 V / 17.5 A / T60

Overvoltage category	III	III	II
Pollution degree	3	2	2
Rated voltage	160 V	400 V	400 V
Rated test voltage	2.5 kV	2.5 kV	2.5 kV
Insulating material class	CTI 600		
Rated wiring solid wire	0.08 - 1.5 mm ²		
Rated wiring stranded wire	0.08 - 1.5 mm ²		
Rated wiring solid wire	AWG 28 - 16		
Rated wiring stranded wire	AWG 28 - 16		
Clearance and creepage distances	2 mm		
Solder pin dimension	2 x 0.4 x 0.8 mm		
Recommended pc board hole dia.	ø 1.2 mm		
Solder pin length	3.45 mm		
Protection category according to IEC 60529	IP 20		
Min. insul. strip length	8.5 mm		
Color	black		

Dimensional drawing



L = (Pole size - 1) * centerline + 3.5 mm (0.138 in.)

P/N

AST223

	02	03	04	05	06	07	08
09	10	11	12				

(Information: page 21)

Standard pole sizes



Product family Pole size Color Option
SR213xxHBPC
Centerline Design Function

- spring clamp terminal block, THR solderable, double solder pins
- centerline 3.50 mm, direction of connection 90°
- fittable without loss of poles
- color black
- Tape & Reel packaging
- finger push-button

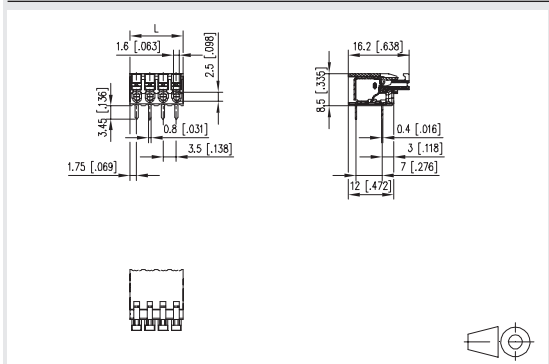
Technical data

V / A / AWG 150 / 10 / 28 - 16

1.5 mm² 130 V / 17.5 A / T60

Overvoltage category	III	III	II
Pollution degree	3	2	2
Rated voltage	160 V	400 V	400 V
Rated test voltage	2.5 kV	2.5 kV	2.5 kV
Insulating material class	CTI 600		
Rated wiring solid wire	0.08 - 1.5 mm ²		
Rated wiring stranded wire	0.08 - 1.5 mm ²		
Rated wiring solid wire	AWG 28 - 16		
Rated wiring stranded wire	AWG 28 - 16		
Clearance and creepage distances	2 mm		
Solder pin dimension	2 x 0.4 x 0.8 mm		
Recommended pc board hole dia.	ø 1.2 mm		
Solder pin length	3.45 mm		
Protection category according to IEC 60529	IP 20		
Min. insul. strip length	8.5 mm		
Color	black		

Dimensional drawing



L = (Pole size - 1) * centerline + 3.5 mm (0.138 in.)

P/N

SR213 HBPC

	02	03	04	05	06	07	08
09	10	11	12				

(Information: page 21)

Standard pole sizes



Product family Pole size Color Option
SR213xxDBNC * (AST233)
Centerline Design Function *old product name

- spring clamp terminal block, THR solderable, double solder pins
- centerline 3.50 mm, direction of connection 45°
- fittable without loss of poles
- color black
- Tape & Reel packaging
- push-button

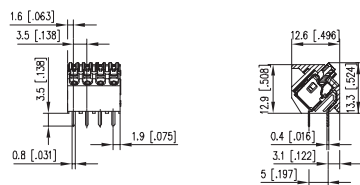
Technical data

UL V / A / AWG 150 / 10 / 28 - 16

SEV 1.5 mm² 130 V / 17.5 A / T60

Overvoltage category	III	III	II
Pollution degree	3	2	2
Rated voltage	160 V	400 V	400 V
Rated test voltage	2.5 kV	2.5 kV	2.5 kV
Insulating material class	CTI 600		
Rated wiring solid wire	0.08 - 1.5 mm ²		
Rated wiring stranded wire	0.08 - 1.5 mm ²		
Rated wiring solid wire	AWG 28 - 16		
Rated wiring stranded wire	AWG 28 - 16		
Clearance and creepage distances	2.2 mm		
Solder pin dimension	2 x 0.4 x 0.8 mm		
Recommended pc board hole dia.	ø 1.2 mm		
Solder pin length	3.5 mm		
Protection category according to IEC 60529	IP 20		
Min. insul. strip length	8.5 mm		
Color	black		

Dimensional drawing



L = (Pole size - 1) * centerline + 3.5 mm (0.138 in.)

P/N

Complete the part number by adding the pole size.

AST233

	02	03	04	05	06	07	08
09	10	11	12				

(Information: page 21)

Standard pole sizes



* Approval pending



Product family Pole size Color Option
SR213xxDBPC
Centerline Design Function

- spring clamp terminal block, THR solderable, double solder pins
- centerline 3.50 mm, direction of connection 45°
- fittable without loss of poles
- color black
- Tape & Reel packaging
- finger push-button

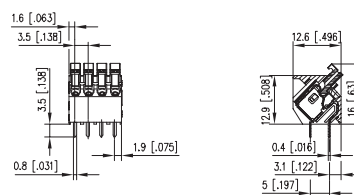
Technical data

UL V / A / AWG 130 / 10 / 28 - 16

SEV 1.5 mm² 130 V / 17.5 A / T60

Overvoltage category	III	III	II
Pollution degree	3	2	2
Rated voltage	160 V	400 V	400 V
Rated test voltage	2.5 kV	2.5 kV	2.5 kV
Insulating material class	CTI 600		
Rated wiring solid wire	0.08 - 1.5 mm ²		
Rated wiring stranded wire	0.08 - 1.5 mm ²		
Rated wiring solid wire	AWG 28 - 16		
Rated wiring stranded wire	AWG 28 - 16		
Clearance and creepage distances	2.2 mm		
Solder pin dimension	2 x 0.4 x 0.8 mm		
Recommended pc board hole dia.	ø 1.2 mm		
Solder pin length	3.5 mm		
Protection category according to IEC 60529	IP 20		
Min. insul. strip length	8.5 mm		
Color	black		

Dimensional drawing



L = (Pole size - 1) * centerline + 3.5 mm (0.138 in.)

P/N

Complete the part number by adding the pole size.

SR213 DBPC

	02	03	04	05	06	07	08
09	10	11	12				

(Information: page 21)

Standard pole sizes



Product family: **SR213** | Pole size: **xx** | Color: **V** | Option: **BNC** *(AST213)

Centerline Design Function *old product name

- spring clamp terminal block, THR solderable, double solder pins
- centerline 3.50 mm, direction of connection vertical 0°
- fittable without loss of poles
- color black
- Tape & Reel packaging
- push-button

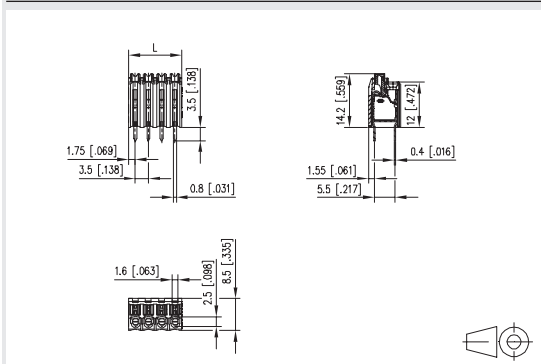
Technical data

c **UL** us V / A / AWG 150 / 10 / 28 - 16

SEV 1.5 mm² 130 V / 17.5 A / T60

Overvoltage category	III	III	II
Pollution degree	3	2	2
Rated voltage	160 V	400 V	400 V
Rated test voltage	2.5 kV	2.5 kV	2.5 kV
Insulating material class	CTI 600		
Rated wiring solid wire	0.08 - 1.5 mm ²		
Rated wiring stranded wire	0.08 - 1.5 mm ²		
Rated wiring solid wire	AWG 28 - 16		
Rated wiring stranded wire	AWG 28 - 16		
Clearance and creepage distances	2 mm		
Solder pin dimension	2 x 0.4 x 0.8 mm		
Recommended pc board hole dia.	ø 1.2 mm		
Solder pin length	3.5 mm		
Protection category according to IEC 60529	IP 20		
Min. insul. strip length	8.5 mm		
Color	black		

Dimensional drawing



L = (Pole size - 1) * centerline + 3.5 mm (0.138 in.)

P/N

AST213

	02	03	04	05	06	07	08
09	10	11	12				

(Information: page 21)

Standard pole sizes



Product family: **SR213** | Pole size: **xx** | Color: **V** | Option: **BPC**

Centerline Design Function

- spring clamp terminal block, THR solderable, double solder pins
- centerline 3.50 mm, direction of connection vertical 0°
- fittable without loss of poles
- color black
- Tape & Reel packaging
- finger push-button

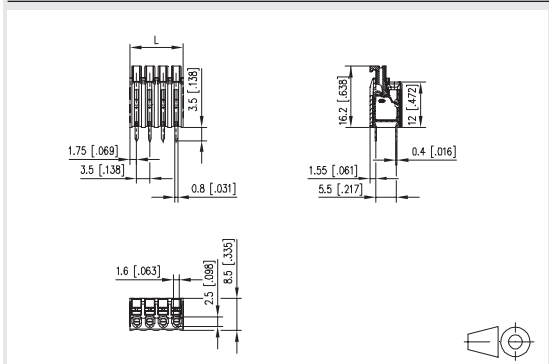
Technical data

c **UL** us V / A / AWG 150 / 10 / 28 - 16

SEV 1.5 mm² 130 V / 17.5 A / T60

Overvoltage category	III	III	II
Pollution degree	3	2	2
Rated voltage	160 V	400 V	400 V
Rated test voltage	2.5 kV	2.5 kV	2.5 kV
Insulating material class	CTI 600		
Rated wiring solid wire	0.08 - 1.5 mm ²		
Rated wiring stranded wire	0.08 - 1.5 mm ²		
Rated wiring solid wire	AWG 28 - 16		
Rated wiring stranded wire	AWG 28 - 16		
Clearance and creepage distances	2 mm		
Solder pin dimension	2 x 0.4 x 0.8 mm		
Recommended pc board hole dia.	ø 1.2 mm		
Solder pin length	3.5 mm		
Protection category according to IEC 60529	IP 20		
Min. insul. strip length	8.5 mm		
Color	black		

Dimensional drawing



L = (Pole size - 1) * centerline + 3.5 mm (0.138 in.)

P/N

SR213 VBPC

	02	03	04	05	06	07	08
09	10	11	12				

(Information: page 21)

Standard pole sizes



Product family Pole size Color Option
ST024xxHDNC*(AST024)
Centerline Design Function *old product name

- spring clamp terminal block, solderable
- centerline 3.81 mm, direction of connection 90°
- color gray
- eccentric lever

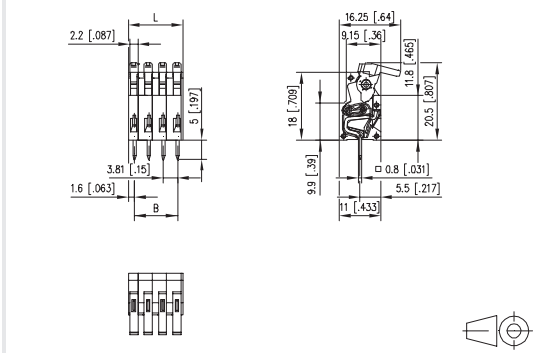
Technical data

150 V / A / AWG 150 / 7 / 28 - 20

0.5 mm² 250 V / 6 A / T60

Overvoltage category	III	III	II
Pollution degree	3	2	2
Rated voltage	200 V	500 V	500 V
Rated test voltage	4.0 kV	4 kV	4.0 kV
Insulating material class	CTI 600		
Rated wiring solid wire	0.2 - 0.5 mm ²		
Rated wiring stranded wire	0.2 - 0.5 mm ²		
Rated wiring solid wire	AWG 28 - 20		
Rated wiring stranded wire	AWG 28 - 20		
Clearance and creepage distances	3 mm		
Solder pin dimension	0.8 x 0.8 mm		
Recommended pc board hole dia.	ø 1.3 mm		
Solder pin length	5 mm		
Protection category according to IEC 60529	IP 20		
Min. insul. strip length	6 mm		
Color	gray		

Dimensional drawing



L = (Pole size - 1) * centerline + 3 mm (0.118 in.)

P/N

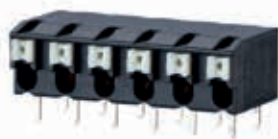
AST024

Complete the part number by adding the pole size.

	02	03	04	05	06	07	08
09	10	11	12	13	14	15	16
17	18	19	20	21	22	23	24

(Information: page 21)

Standard pole sizes



Product family Pole size Color Option
SR215xxHBNC *(AST225)
 Centerline Design Function *old product name

- spring clamp terminal block, THR solderable, double solder pins
- centerline 5.00 mm, direction of connection 90°
- fittable without loss of poles
- color black
- Tape & Reel packaging
- push-button

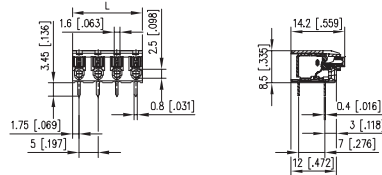
Technical data

c V / A / AWG 300 / 10 / 28 - 16

1.5 mm² 250 V / 17.5 A / T60

Overvoltage category	III	III	II
Pollution degree	3	2	2
Rated voltage	250 V	630 V	630 V
Rated test voltage	4.0 kV	4.0 kV	4 kV
Insulating material class	CTI 600		
Rated wiring solid wire	0.08 - 1.5 mm ²		
Rated wiring stranded wire	0.08 - 1.5 mm ²		
Rated wiring solid wire	AWG 28 - 16		
Rated wiring stranded wire	AWG 28 - 16		
Clearance and creepage distances	3.4 mm		
Solder pin dimension	2 x 0.4 x 0.8 mm		
Recommended pc board hole dia.	ø 1.2 mm		
Solder pin length	3.45 mm		
Protection category according to IEC 60529	IP 20		
Min. insul. strip length	8.5 mm		
Color	black		

Dimensional drawing



L = (Pole size - 1) * centerline + 3.5 mm (0.138 in.)

P/N

Complete the part number by adding the pole size.

AST225	<input type="text"/>	02	03	04	05	06	07	08	
		09	10	11	12	13	14	15	16

(Information: page 21)

Standard pole sizes



Product family Pole size Color Option
SR215xxHBPC
 Centerline Design Function

- spring clamp terminal block, THR solderable, double solder pins
- centerline 5.00 mm, direction of connection 90°
- fittable without loss of poles
- color black
- Tape & Reel packaging
- finger push-button

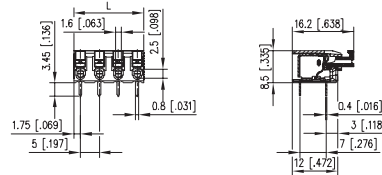
Technical data

c V / A / AWG 300 / 10 / 28 - 16

1.5 mm² 250 V / 17.5 A / T60

Overvoltage category	III	III	II
Pollution degree	3	2	2
Rated voltage	250 V	630 V	630 V
Rated test voltage	4.0 kV	4.0 kV	4 kV
Insulating material class	CTI 600		
Rated wiring solid wire	0.08 - 1.5 mm ²		
Rated wiring stranded wire	0.08 - 1.5 mm ²		
Rated wiring solid wire	AWG 28 - 16		
Rated wiring stranded wire	AWG 28 - 16		
Clearance and creepage distances	3.4 mm		
Solder pin dimension	2 x 0.4 x 0.8 mm		
Recommended pc board hole dia.	ø 1.2 mm		
Solder pin length	3.45 mm		
Protection category according to IEC 60529	IP 20		
Min. insul. strip length	8.5 mm		
Color	black		

Dimensional drawing



L = (Pole size - 1) * centerline + 3.5 mm (0.138 in.)

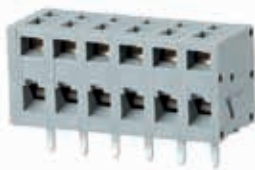
P/N

Complete the part number by adding the pole size.

SR215	<input type="text"/>	02	03	04	05	06	07	08	
		09	10	11	12	13	14	15	16

(Information: page 21)

Standard pole sizes



Product family Pole size Color Option
ST065xxHDNN*(AST065)
 Centerline Design Function *old product name

- spring clamp terminal block, solderable
- centerline 5.00 mm, direction of connection 90°
- color gray
- without eccentric lever

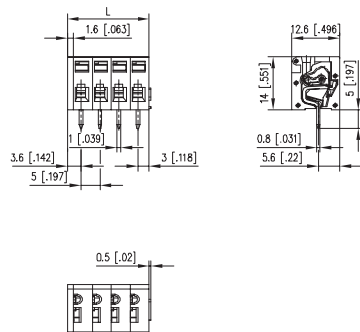
Technical data

us V / A / AWG 300 / 13 / 28 - 14

1 mm² 250 V / 13.5 A / T60

Overvoltage category	III	III	II
Pollution degree	3	2	2
Rated voltage	320 V	800 V	800 V
Rated test voltage	4 kV	4.0 kV	4 kV
Insulating material class	CTI 600		
Rated wiring solid wire	0.2 - 2.0 mm ²		
Rated wiring stranded wire	0.2 - 2.0 mm ²		
Rated wiring solid wire	AWG 28 - 14		
Rated wiring stranded wire	AWG 28 - 14		
Clearance and creepage distances	4 mm		
Solder pin dimension	1.0 x 0.8 mm		
Recommended pc board hole dia.	ø 1.4 mm		
Solder pin length	5 mm		
Protection category according to IEC 60529	IP 20		
Min. insul. strip length	6 mm		
Color	gray		

Dimensional drawing



L = (Pole size - 1) * centerline + 7.6 mm (0.299 in.)

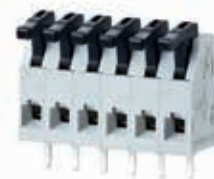
P/N

Complete the part number by adding the pole size.

AST065	<input type="text"/>	02	03	04	05	06	07	08
		09	10	11	12	13	14	15
		17	18	19	20	21	22	23
		24						

(Information: page 21)

Standard pole sizes



Product family Pole size Color Option
ST025xxHDNC*(AST025)
 Centerline Design Function *old product name

- spring clamp terminal block, solderable
- centerline 5.00 mm, direction of connection 90°
- fittable without loss of poles
- color gray
- eccentric lever

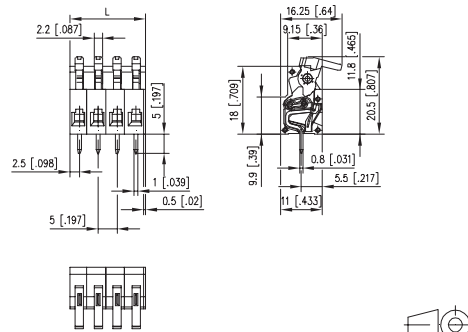
Technical data

us V / A / AWG 300 / 13 / 28 - 14

1 mm² 250 V / 13.5 A / T60

Overvoltage category	III	III	II
Pollution degree	3	2	2
Rated voltage	250 V	500 V	500 V
Rated test voltage	4.0 kV	4 kV	4.0 kV
Insulating material class	CTI 400		
Rated wiring solid wire	0.2 - 2.0 mm ²		
Rated wiring stranded wire	0.2 - 2.0 mm ²		
Rated wiring solid wire	AWG 28 - 14		
Rated wiring stranded wire	AWG 28 - 14		
Clearance and creepage distances	4 mm		
Solder pin dimension	1.0 x 0.8 mm		
Recommended pc board hole dia.	ø 1.4 mm		
Solder pin length	5 mm		
Protection category according to IEC 60529	IP 20		
Min. insul. strip length	6 mm		
Color	gray		

Dimensional drawing



L = (Pole size - 1) * centerline + 5 mm (0.197 in.)

P/N

Complete the part number by adding the pole size.

AST025	<input type="text"/>	02	03	04	05	06	07	08
		09	10	11	12	13	14	15
		17	18	19	20	21	22	23
		24						

(Information: page 21)

Standard pole sizes



Product family Pole size Color Option
ST055xxHBNC *(AST055)
 Centerline Design Function *old product name

- spring clamp terminal block, solderable
- centerline 5.00 mm, direction of connection 90°
- fittable without loss of poles
- color black
- eccentric lever

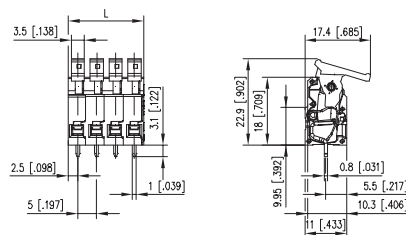
Technical data

300 V / A / AWG 300 / 12 / 28 - 12

2.5 mm² 250 V / 20 A / T60

Overvoltage category	III	III	II
Pollution degree	3	2	2
Rated voltage	320 V	800 V	800 V
Rated test voltage	4 kV	4.0 kV	4 kV
Insulating material class	CTI 600		
Rated wiring solid wire	0.08 - 2.5 mm ²		
Rated wiring stranded wire	0.08 - 2.5 mm ²		
Rated wiring solid wire	AWG 28 - 12		
Rated wiring stranded wire	AWG 28 - 12		
Clearance and creepage distances	4 mm		
Solder pin dimension	1.0 x 0.8 mm		
Recommended pc board hole dia.	ø 1.4 mm		
Solder pin length	3.1 mm		
Protection category according to IEC 60529	IP 20		
Min. insul. strip length	6 mm		
Color	black		

Dimensional drawing



L = (Pole size - 1) * centerline + 5 mm (0.197 in.)

P/N

AST055

	02	03	04	05	06	07	08
09	10	11	12	13	14	15	16
17	18	19	20	21	22	23	24

(Information: page 21)

Standard pole sizes



Product family Pole size Color Option
ST095xxHDNN *(AST095)
 Centerline Design Function *old product name

- spring clamp terminal block, solderable, double solder pins
- centerline 5.00 mm, direction of connection 90°
- color gray
- push-button, double solder pins

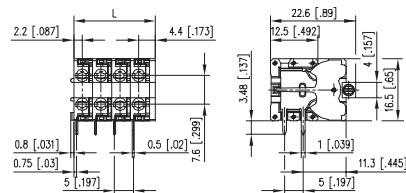
Technical data

300 V / A / AWG 300 / 15 / 28 - 12

1 mm² 250 V / 13.5 A / T60

Overvoltage category	III	III	II
Pollution degree	3	2	2
Rated voltage	320 V	800 V	800 V
Rated test voltage	4 kV	4.0 kV	4 kV
Insulating material class	CTI 600		
Rated wiring solid wire	0.2 - 2.5 mm ²		
Rated wiring stranded wire	0.2 - 2.5 mm ²		
Rated wiring solid wire	AWG 28 - 12		
Rated wiring stranded wire	AWG 28 - 12		
Clearance and creepage distances	4.5 mm		
Solder pin dimension	2 x 1.0 x 0.5 mm		
Recommended pc board hole dia.	ø 1.4 mm		
Solder pin length	3.48 mm		
Protection category according to IEC 60529	IP 20		
Min. insul. strip length	15 mm		
Color	gray		

Dimensional drawing



L = (Pole size - 1) * centerline + 6.6 mm (0.260 in.)

P/N

AST095

	02	03	04	05	06	07	08
09	10	11	12	13	14	15	16
17	18	19	20	21	22	23	24

(Information: page 21)

Standard pole sizes



Product family Pole size Color Option
SR215xxDBNC *(AST235)
Centerline Design Function *old product name

- spring clamp terminal block, THR solderable, double solder pins
- centerline 5.00 mm, direction of connection 45°
- fittable without loss of poles
- color black
- Tape & Reel packaging
- push-button

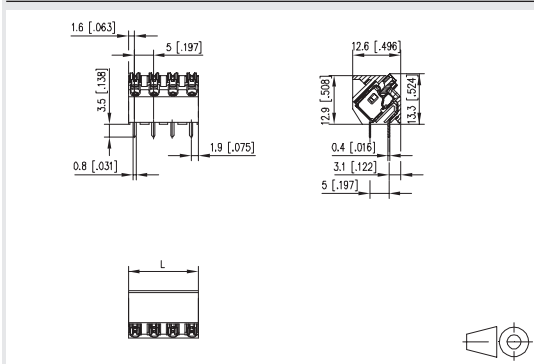
Technical data

UL 300 V / A / AWG 300 / 10 / 28 - 16

SEV 1.5 mm² 250 V / 17.5 A / T60

Overvoltage category	III	III	II
Pollution degree	3	2	2
Rated voltage	250 V	630 V	630 V
Rated test voltage	4.0 kV	4.0 kV	4 kV
Insulating material class	CTI 600		
Rated wiring solid wire	0.08 - 1.5 mm ²		
Rated wiring stranded wire	0.08 - 1.5 mm ²		
Rated wiring solid wire	AWG 28 - 16		
Rated wiring stranded wire	AWG 28 - 16		
Clearance and creepage distances	3.7 mm		
Solder pin dimension	2 x 0.4 x 0.8 mm		
Recommended pc board hole dia.	ø 1.2 mm		
Solder pin length	3.5 mm		
Protection category according to IEC 60529	IP 20		
Min. insul. strip length	8.5 mm		
Color	black		

Dimensional drawing



$L = (\text{Pole size} - 1) * \text{centerline} + 3.5 \text{ mm (0.138 in.)}$

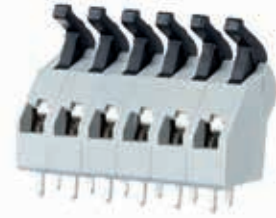
P/N Complete the part number by adding the pole size.

AST235

	02	03	04	05	06	07	08
09	10	11	12				

(Information: page 21)

Standard pole sizes



Product family Pole size Color Option
ST045xxDDNC *(AST045)
Centerline Design Function *old product name

- spring clamp terminal block, solderable, double solder pins
- centerline 5.00 mm, direction of connection 45°
- fittable without loss of poles
- color gray
- eccentric lever

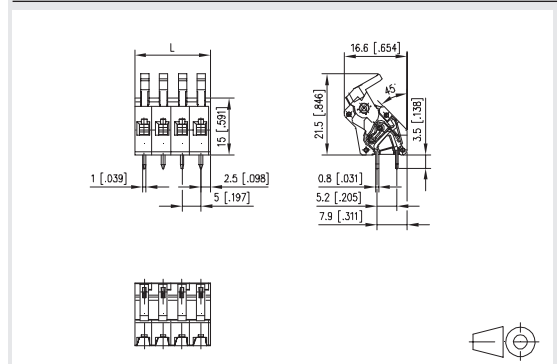
Technical data

UL 300 V / A / AWG 300 / 13 / 28 - 14

SEV 1 mm² 250 V / 13.5 A / T60

Overvoltage category	III	III	II
Pollution degree	3	2	2
Rated voltage	250 V	500 V	500 V
Rated test voltage	4.0 kV	4 kV	4.0 kV
Insulating material class	CTI 400		
Rated wiring solid wire	0.2 - 1.5 mm ²		
Rated wiring stranded wire	0.2 - 1.5 mm ²		
Rated wiring solid wire	AWG 28 - 16		
Rated wiring stranded wire	AWG 28 - 16		
Clearance and creepage distances	4 mm		
Solder pin dimension	2 x 1.0 x 0.8 mm		
Recommended pc board hole dia.	ø 1.4 mm		
Solder pin length	3.5 mm		
Protection category according to IEC 60529	IP 20		
Min. insul. strip length	6 mm		
Color	gray		

Dimensional drawing



$L = (\text{Pole size} - 1) * \text{centerline} + 5 \text{ mm (0.197 in.)}$

P/N Complete the part number by adding the pole size.

AST045

	02	03	04	05	06	07	08
09	10	11	12	13	14	15	16
17	18	19	20	21	22	23	24

(Information: page 21)

Standard pole sizes



Product family Pole size Color Option
ST135xxDDNC *(AST135)
 Centerline Design Function *old product name

- spring clamp terminal block, solderable
- centerline 5.00 mm, direction of connection 45°
- fittable without loss of poles
- color gray
- eccentric lever

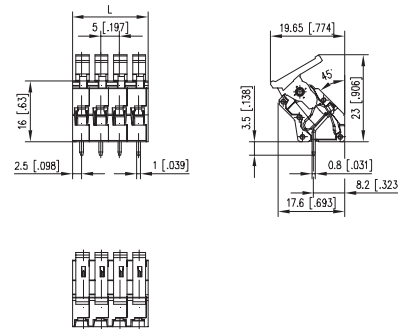
Technical data

UL V / A / AWG 300 / 13 / 28 - 14

SEV 2.5 mm² 250 V / 24 A / T60

Overvoltage category	III	III	II
Pollution degree	3	2	2
Rated voltage	320 V	800 V	800 V
Rated test voltage	4 kV	4.0 kV	4 kV
Insulating material class	CTI 600		
Rated wiring solid wire	0.2 - 2.5 mm ²		
Rated wiring stranded wire	0.2 - 2.5 mm ²		
Rated wiring solid wire	AWG 28 - 12		
Rated wiring stranded wire	AWG 28 - 12		
Clearance and creepage distances	4 mm		
Solder pin dimension	0.8 x 1.0 mm		
Recommended pc board hole dia.	ø 1.4 mm		
Solder pin length	3.5 mm		
Protection category according to IEC 60529	IP 20		
Min. insul. strip length	6 mm		
Color	gray		

Dimensional drawing



L = (Pole size - 1) * centerline + 5 mm (0.197 in.)

P/N

Complete the part number by adding the pole size.

AST135	<input type="text"/>	02	03	04	05	06	07	08
		09	10	11	12	13	14	15
		17	18	19	20	21	22	23
		24						

(Information: page 21)

Standard pole sizes



Product family Pole size Color Option
ST175xxLDNN *(AST175)
 Centerline Design Function *old product name

- spring clamp terminal block, solderable, double solder pins
- centerline 5.00 mm, direction of connection 60°
- color gray
- push-button

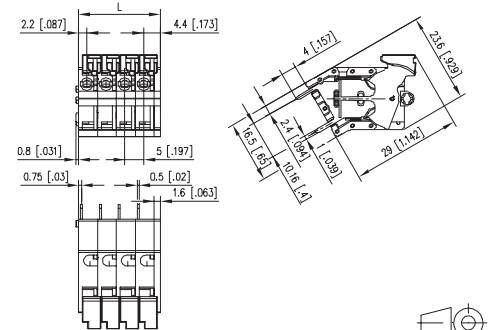
Technical data

UL V / A / AWG 300 / 15 / 28 - 12

SEV 1 mm² 250 V / 13.5 A / T60

Overvoltage category	III	III	II
Pollution degree	3	2	2
Rated voltage	320 V	800 V	800 V
Rated test voltage	4 kV	4.0 kV	4 kV
Insulating material class	CTI 600		
Rated wiring solid wire	0.08 - 2.5 mm ²		
Rated wiring stranded wire	0.08 - 2.5 mm ²		
Rated wiring solid wire	AWG 28 - 12		
Rated wiring stranded wire	AWG 28 - 12		
Clearance and creepage distances	4.5 mm		
Solder pin dimension	2 x 0.5 x 1.0 mm		
Recommended pc board hole dia.	ø 1.4 mm		
Solder pin length	4 mm		
Protection category according to IEC 60529	IP 20		
Min. insul. strip length	15 mm		
Color	gray		

Dimensional drawing



L = (Pole size - 1) * centerline + 6.6 mm (0.260 in.)

P/N

Complete the part number by adding the pole size.

AST175	<input type="text"/>	02	03	04	05	06	07	08
		09	10	11	12	13	14	15
		17	18	19	20	21	22	23
		24						

(Information: page 21)

Standard pole sizes



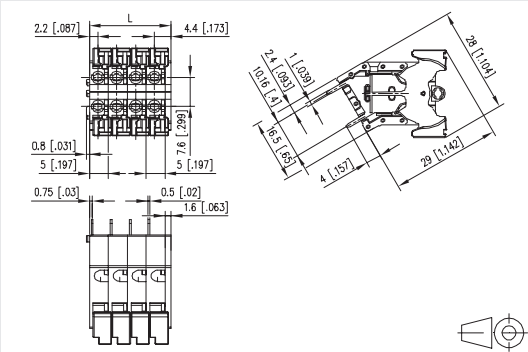
Product family Pole size Color Option
ST185xxLDNN*(AST185)
Centerline Design Function *old product name

- spring clamp terminal block, solderable, double solder pins
- centerline 5.00 mm, direction of connection 60°
- color gray
- push-button, double solder pins

Technical data

	V / A / AWG	300 / 15 / 28 - 12	
	1 mm ²	250 V / 13.5 A / T60	
Overvoltage category	III	III	II
Pollution degree	3	2	2
Rated voltage	320 V	800 V	800 V
Rated test voltage	4 kV	4.0 kV	4 kV
Insulating material class	CTI 600		
Rated wiring solid wire	0.08 - 2.5 mm ²		
Rated wiring stranded wire	0.08 - 2.5 mm ²		
Rated wiring solid wire	AWG 28 - 12		
Rated wiring stranded wire	AWG 28 - 12		
Clearance and creepage distances	4.5 mm		
Solder pin dimension	2 x 0.5 x 1.0 mm		
Recommended pc board hole dia.	ø 1.4 mm		
Solder pin length	4 mm		
Protection category according to IEC 60529	IP 20		
Min. insul. strip length	15 mm		
Color	gray		

Dimensional drawing



L = (Pole size - 1) * centerline + 6.6 mm (0.260 in.)

P/N

Complete the part number by adding the pole size.

AST185	<input type="text"/>	02	03	04	05	06	07	08
		09	10	11	12	13	14	15
		17	18	19	20	21	22	23
		24						

(Information: page 21)

Standard pole sizes



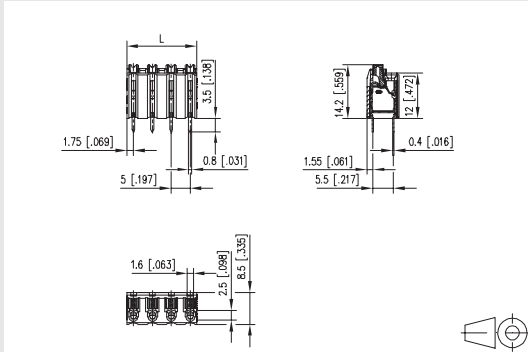
Product family Pole size Color Option
SR215xxVBNC*(AST215)
Centerline Design Function *old product name

- spring clamp terminal block, THR solderable, double solder pins
- centerline 5.00 mm, direction of connection vertical 0°
- fittable without loss of poles
- color black
- Tape & Reel packaging
- push-button

Technical data

	V / A / AWG	300 / 10 / 28 - 16	
	1.5 mm ²	250 V / 17.5 A / T60	
Overvoltage category	III	III	II
Pollution degree	3	2	2
Rated voltage	250 V	630 V	630 V
Rated test voltage	4.0 kV	4.0 kV	4 kV
Insulating material class	CTI 600		
Rated wiring solid wire	0.08 - 1.5 mm ²		
Rated wiring stranded wire	0.08 - 1.5 mm ²		
Rated wiring solid wire	AWG 28 - 16		
Rated wiring stranded wire	AWG 28 - 16		
Clearance and creepage distances	3.4 mm		
Solder pin dimension	2 x 0.4 x 0.8 mm		
Recommended pc board hole dia.	ø 1.2 mm		
Solder pin length	3.5 mm		
Protection category according to IEC 60529	IP 20		
Min. insul. strip length	8.5 mm		
Color	black		

Dimensional drawing



L = (Pole size - 1) * centerline + 3.5 mm (0.138 in.)

P/N

Complete the part number by adding the pole size.

AST215	<input type="text"/>	02	03	04	05	06	07	08
		09	10	11	12	13	14	15

(Information: page 21)

Standard pole sizes



Product family Pole size Color Option

SR215xxVBPC

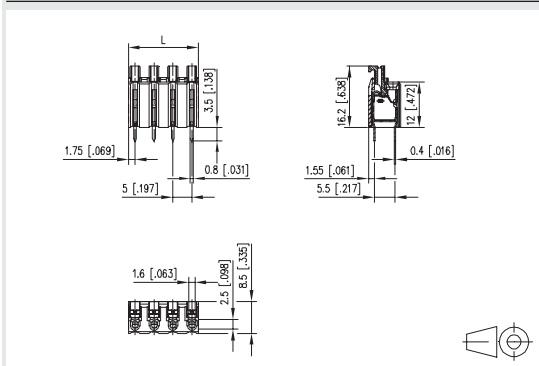
 Centerline Design Function

- spring clamp terminal block, THR solderable, double solder pins
- centerline 5.00 mm, direction of connection vertical 0°
- fittable without loss of poles
- color black
- Tape & Reel packaging
- finger push-button

Technical data

300 V / A / AWG 300 / 10 / 28 - 16			
1.5 mm ² 250 V / 17.5 A / T60			
Overvoltage category	III	III	II
Pollution degree	3	2	2
Rated voltage	250 V	630 V	630 V
Rated test voltage	4.0 kV	4.0 kV	4 kV
Insulating material class	CTI 600		
Rated wiring solid wire	0.08 - 1.5 mm ²		
Rated wiring stranded wire	0.08 - 1.5 mm ²		
Rated wiring solid wire	AWG 28 - 16		
Rated wiring stranded wire	AWG 28 - 16		
Clearance and creepage distances	3.4 mm		
Solder pin dimension	2 x 0.4 x 0.8 mm		
Recommended pc board hole dia.	ø 1.2 mm		
Solder pin length	3.5 mm		
Protection category according to IEC 60529	IP 20		
Min. insul. strip length	8.5 mm		
Color	black		

Dimensional drawing



L = (Pole size - 1) * centerline + 3.5 mm (0.138 in.)

P/N Complete the part number by adding the pole size.

SR215 VBPC

	02	03	04	05	06	07	08
09	10	11	12	13	14	15	16

(Information: page 21)

Standard pole sizes



Product family Pole size Color Option

ST105xxVDNN * (AST105)

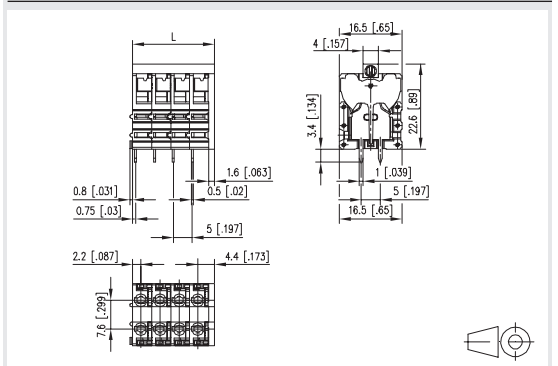
 Centerline Design Function

- spring clamp terminal block, solderable, double solder pins
- centerline 5.00 mm, direction of connection vertical 0°
- color gray
- push-button, double solder pins

Technical data

300 V / A / AWG 300 / 15 / 28 - 12			
1 mm ² 250 V / 13.5 A / T60			
Overvoltage category	III	III	II
Pollution degree	3	2	2
Rated voltage	320 V	800 V	800 V
Rated test voltage	4 kV	4.0 kV	4 kV
Insulating material class	CTI 600		
Rated wiring solid wire	0.2 - 2.5 mm ²		
Rated wiring stranded wire	0.2 - 2.5 mm ²		
Rated wiring solid wire	AWG 28 - 12		
Rated wiring stranded wire	AWG 28 - 12		
Clearance and creepage distances	4.5 mm		
Solder pin dimension	2 x 0.5 x 1.0 mm		
Recommended pc board hole dia.	ø 1.4 mm		
Solder pin length	3.4 mm		
Protection category according to IEC 60529	IP 20		
Min. insul. strip length	15 mm		
Color	gray		

Dimensional drawing



L = (Pole size - 1) * centerline + 6.6 mm (0.260 in.)

P/N Complete the part number by adding the pole size.

AST105

	02	03	04	05	06	07	08
09	10	11	12	13	14	15	16

(Information: page 21)

Standard pole sizes



Product family Pole size Color Option
ST125xxVDNN*(AST125)
 Centerline Design Function *old product name

- spring clamp terminal block, solderable, double solder pins
- centerline 5.00 mm, direction of connection vertical 0°
- color gray
- finger push-button, double solder pins

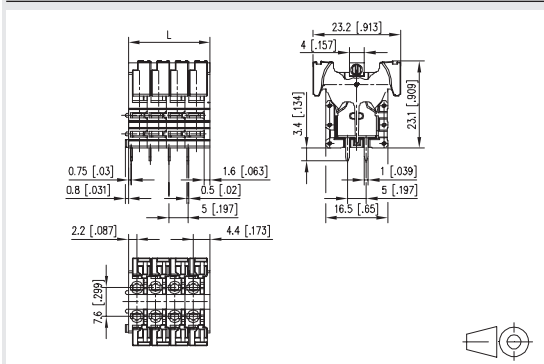
Technical data

UL 300 V / A / AWG 300 / 15 / 28 - 12

SEV 1 mm² 250 V / 13.5 A / T60

Overvoltage category	III	III	II
Pollution degree	3	2	2
Rated voltage	320 V	800 V	800 V
Rated test voltage	4 kV	4.0 kV	4 kV
Insulating material class	CTI 600		
Rated wiring solid wire	0.2 - 2.5 mm ²		
Rated wiring stranded wire	0.2 - 2.5 mm ²		
Rated wiring solid wire	AWG 28 - 12		
Rated wiring stranded wire	AWG 28 - 12		
Clearance and creepage distances	4.5 mm		
Solder pin dimension	2 x 0.5 x 1.0 mm		
Recommended pc board hole dia.	ø 1.4 mm		
Solder pin length	3.4 mm		
Protection category according to IEC 60529	IP 20		
Min. insul. strip length	15 mm		
Color	gray		

Dimensional drawing



L = (Pole size - 1) * centerline + 6.6 mm (0.260 in.)

P/N

Complete the part number by adding the pole size.

AST125		02	03	04	05	06	07	08
	09	10	11	12	13	14	15	16
	17	18	19	20	21	22	23	24

(Information: page 21)

Standard pole sizes



Product family Pole size Color Option
ST145xxVDNN*(AST145)
 Centerline Design Function *old product name

- spring clamp terminal block, solderable, double solder pins
- centerline 5.00 mm, direction of connection vertical 0°
- color gray
- push-button, two individual contacts per centerline

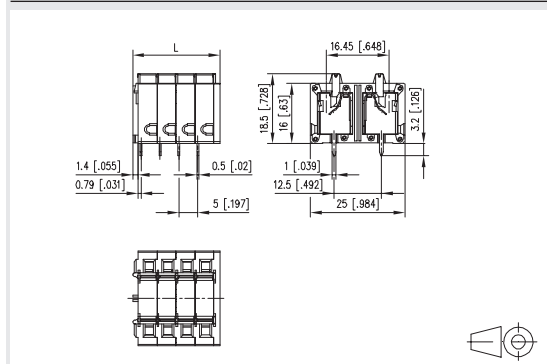
Technical data

UL 450 V / A / AWG 300 / 17 / 28 - 14

SEV 1.5 mm² 450 V / 17.5 A / T60

Overvoltage category	III	III	II
Pollution degree	3	2	2
Rated voltage	320 V	800 V	800 V
Rated test voltage	4 kV	4.0 kV	4 kV
Insulating material class	CTI 600		
Rated wiring solid wire	0.2 - 2.5 mm ²		
Rated wiring stranded wire	0.2 - 2.5 mm ²		
Rated wiring solid wire	AWG 28 - 12		
Rated wiring stranded wire	AWG 28 - 12		
Clearance and creepage distances	4.5 mm		
Solder pin dimension	2 x 0.5 x 1.0 mm		
Recommended pc board hole dia.	ø 1.4 mm		
Solder pin length	3.2 mm		
Protection category according to IEC 60529	IP 20		
Min. insul. strip length	12 mm		
Color	gray		

Dimensional drawing



L = (Pole size - 1) * centerline + 8 mm (0.315 in.)

P/N

Complete the part number by adding the pole size.

AST145		04	06	08	10	12	14	16
	18	20	22	24	26	28	30	32
	34	36	38	40	42	48		

(Information: page 21)

Standard pole sizes



Product family Pole size Color Option
ST176xxLDNN*(AST176)
Centerline Design Function *old product name

- spring clamp terminal block, solderable, double solder pins
- centerline 5.08 mm, direction of connection 60°
- color gray
- push-button

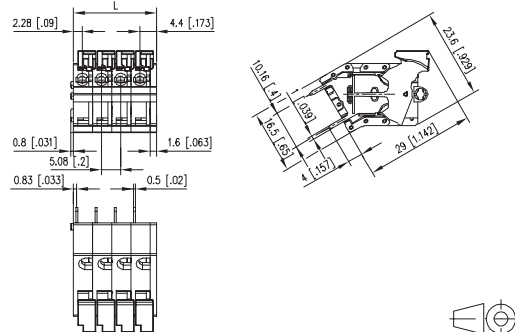
Technical data

U V / A / AWG 300 / 15 / 28 - 12

SEV 1 mm² 250 V / 13.5 A / T60

Overvoltage category	III	III	II
Pollution degree	3	2	2
Rated voltage	320 V	800 V	800 V
Rated test voltage	4 kV	4.0 kV	4 kV
Insulating material class	CTI 600		
Rated wiring solid wire	0.08 - 2.5 mm ²		
Rated wiring stranded wire	0.08 - 2.5 mm ²		
Rated wiring solid wire	AWG 28 - 12		
Rated wiring stranded wire	AWG 28 - 12		
Clearance and creepage distances	4.5 mm		
Solder pin dimension	2 x 0.5 x 1.0 mm		
Recommended pc board hole dia.	ø 1.4 mm		
Solder pin length	4 mm		
Protection category according to IEC 60529	IP 20		
Min. insul. strip length	15 mm		
Color	gray		

Dimensional drawing



L = (Pole size - 1) * centerline + 6.68 mm (0.263 in.)

P/N

Complete the part number by adding the pole size.

AST176	<input type="text"/>	02	03	04	05	06	07	08
		09	10	11	12	13	14	15
		16	17	18	19	20	21	22
		23	24					

(Information: page 21)

Standard pole sizes



Product family Pole size Color Option
ST186xxLDNN*(AST186)
Centerline Design Function *old product name

- spring clamp terminal block, solderable, double solder pins
- centerline 5.08 mm, direction of connection 60°
- color gray
- push-button, double solder pins

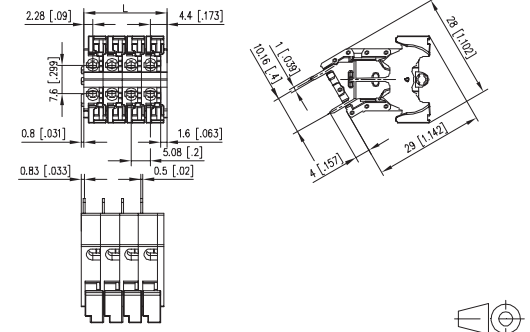
Technical data

U V / A / AWG 300 / 15 / 28 - 12

SEV 1 mm² 250 V / 13.5 A / T60

Overvoltage category	III	III	II
Pollution degree	3	2	2
Rated voltage	320 V	800 V	800 V
Rated test voltage	4 kV	4.0 kV	4 kV
Insulating material class	CTI 600		
Rated wiring solid wire	0.08 - 2.5 mm ²		
Rated wiring stranded wire	0.08 - 2.5 mm ²		
Rated wiring solid wire	AWG 28 - 12		
Rated wiring stranded wire	AWG 28 - 12		
Clearance and creepage distances	4.5 mm		
Solder pin dimension	2 x 0.5 x 1.0 mm		
Recommended pc board hole dia.	ø 1.4 mm		
Solder pin length	4 mm		
Protection category according to IEC 60529	IP 20		
Min. insul. strip length	15 mm		
Color	gray		

Dimensional drawing



L = (Pole size - 1) * centerline + 6.68 mm (0.263 in.)

P/N

Complete the part number by adding the pole size.

AST186	<input type="text"/>	02	03	04	05	06	07	08
		09	10	11	12	13	14	15
		16	17	18	19	20	21	22
		23	24					

(Information: page 21)

Standard pole sizes



Product family Pole size Color Option
ST067xxHDNN*(AST067)
 Centerline Design Function *old product name

- spring clamp terminal block, solderable
- centerline 7.50 mm, direction of connection 90°
- color gray
- without eccentric lever

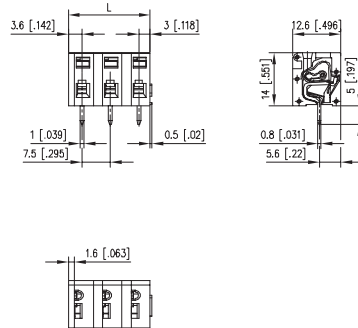
Technical data

UL **US** V / A / AWG 600 / 13 / 28 - 14

SEV 1 mm² 750 V / 13.5 A / T60

Overvoltage category	III	III	II
Pollution degree	3	2	2
Rated voltage	400 V	800 V	800 V
Rated test voltage	6.0 kV	6 kV	6.0 kV
Insulating material class	CTI 400		
Rated wiring solid wire	0.2 - 2.0 mm ²		
Rated wiring stranded wire	0.2 - 2.0 mm ²		
Rated wiring solid wire	AWG 28 - 14		
Rated wiring stranded wire	AWG 28 - 14		
Clearance and creepage distances	6.5 mm		
Solder pin dimension	1.0 x 0.8 mm		
Recommended pc board hole dia.	ø 1.4 mm		
Solder pin length	5 mm		
Protection category according to IEC 60529	IP 20		
Min. insul. strip length	6 mm		
Color	gray		

Dimensional drawing



L = (Pole size - 1) * centerline + 6.6 mm (0.260 in.)

P/N

Complete the part number by adding the pole size.

AST067	<input type="text"/>	02	03	04	05	06	07	08
		09	10	11	12	13	14	15
		17	18	19	20	21	22	23
		24						

(Information: page 21)

Standard pole sizes



Product family Pole size Color Option
ST027xxHDNC*(AST027)
 Centerline Design Function *old product name

- spring clamp terminal block, solderable
- centerline 7.50 mm, direction of connection 90°
- fittable without loss of poles
- color gray
- eccentric lever

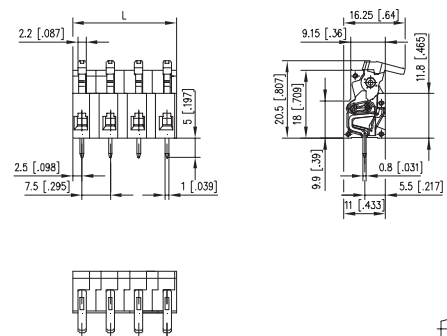
Technical data

UL **US** V / A / AWG 300 / 13 / 28 - 14

SEV 1 mm² 750 V / 13.5 A / T60

Overvoltage category	III	III	II
Pollution degree	3	2	2
Rated voltage	400 V	800 V	800 V
Rated test voltage	6.0 kV	6 kV	6.0 kV
Insulating material class	CTI 400		
Rated wiring solid wire	0.2 - 2.0 mm ²		
Rated wiring stranded wire	0.2 - 2.0 mm ²		
Rated wiring solid wire	AWG 28 - 14		
Rated wiring stranded wire	AWG 28 - 14		
Clearance and creepage distances	6.5 mm		
Solder pin dimension	1.0 x 0.8 mm		
Recommended pc board hole dia.	ø 1.4 mm		
Solder pin length	5 mm		
Protection category according to IEC 60529	IP 20		
Min. insul. strip length	6 mm		
Color	gray		

Dimensional drawing



L = (Pole size - 1) * centerline + 5 mm (0.197 in.)

P/N

Complete the part number by adding the pole size.

AST027	<input type="text"/>	02	03	04	05	06	07	08
		09	10	11	12	13	14	15
		17	18	19	20	21	22	23
		24						

(Information: page 21)

Standard pole sizes



Product family Pole size Color Option
ST057xxHBNC *(AST057)
 Centerline Design Function *old product name

- spring clamp terminal block, solderable
- centerline 7.50 mm, direction of connection 90°
- fittable without loss of poles
- color black
- eccentric lever

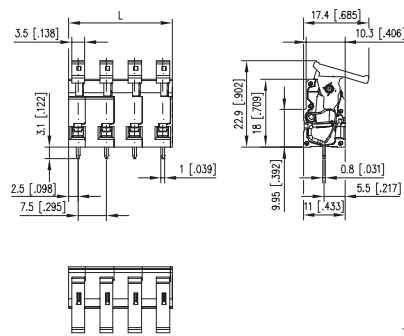
Technical data

300 V / A / AWG 300 / 17 / 28 - 12

2.5 mm² 250 V / 20 A / T60

Overvoltage category	III	III	II
Pollution degree	3	2	2
Rated voltage	500 V	1250 V	1250 V
Rated test voltage	6.0 kV	6.0 kV	6 kV
Insulating material class	CTI 600		
Rated wiring solid wire	0.08 - 2.5 mm ²		
Rated wiring stranded wire	0.08 - 2.5 mm ²		
Rated wiring solid wire	AWG 28 - 12		
Rated wiring stranded wire	AWG 28 - 12		
Clearance and creepage distances	6.5 mm		
Solder pin dimension	1.0 x 0.8 mm		
Recommended pc board hole dia.	ø 1.4 mm		
Solder pin length	3.1 mm		
Protection category according to IEC 60529	IP 20		
Min. insul. strip length	6 mm		
Color	black		

Dimensional drawing



L = (Pole size - 1) * centerline + 5 mm (0.197 in.)

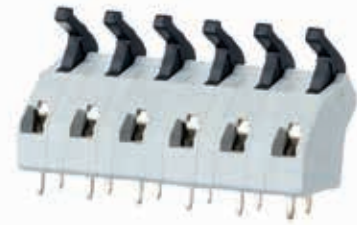
P/N

Complete the part number by adding the pole size.

AST057		02	03	04	05	06	07	08
	09	10	11	12	13	14	15	16
	17	18	19	20	21	22	23	24

(Information: page 21)

Standard pole sizes



Product family Pole size Color Option
ST047xxDDNC *(AST047)
 Centerline Design Function *old product name

- spring clamp terminal block, solderable, double solder pins
- centerline 7.50 mm, direction of connection 45°
- fittable without loss of poles
- color gray
- eccentric lever

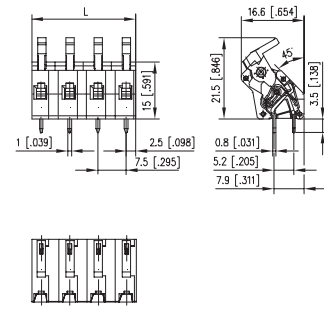
Technical data

600 V / A / AWG 600 / 13 / 28 - 14

1 mm² 750 V / 13.5 A / T60

Overvoltage category	III	III	II
Pollution degree	3	2	2
Rated voltage	400 V	800 V	800 V
Rated test voltage	6.0 kV	6 kV	6.0 kV
Insulating material class	CTI 400		
Rated wiring solid wire	0.2 - 1.5 mm ²		
Rated wiring stranded wire	0.2 - 1.5 mm ²		
Rated wiring solid wire	AWG 28 - 16		
Rated wiring stranded wire	AWG 28 - 16		
Clearance and creepage distances	6.5 mm		
Solder pin dimension	2 x 1.0 x 0.8 mm		
Recommended pc board hole dia.	ø 1.4 mm		
Solder pin length	3.5 mm		
Protection category according to IEC 60529	IP 20		
Min. insul. strip length	6 mm		
Color	gray		

Dimensional drawing



L = (Pole size - 1) * centerline + 5 mm (0.197 in.)

P/N

Complete the part number by adding the pole size.

AST047		02	03	04	05	06	07	08
	09	10	11	12	13	14	15	16
	17	18	19	20	21	22	23	24

(Information: page 21)

Standard pole sizes



Product family Pole size Color Option
ST137xxDDNC*(AST137)
 Centerline Design Function *old product name

- spring clamp terminal block, solderable
- centerline 7.50 mm, direction of connection 45°
- fittable without loss of poles
- color gray
- eccentric lever

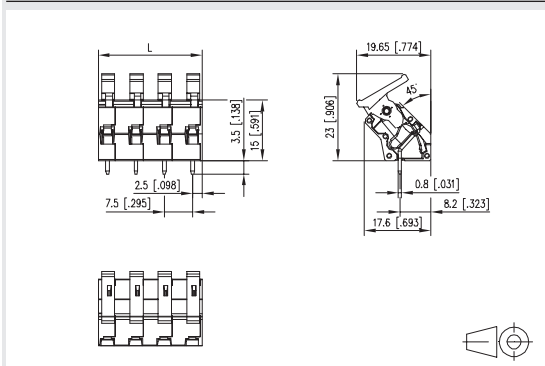
Technical data

UL V / A / AWG 300 / 13 / 28 - 14

SEV 2.5 mm² 750 V / 24 A / T60

Overvoltage category	III	III	II
Pollution degree	3	2	2
Rated voltage	500 V	1250 V	1250 V
Rated test voltage	6.0 kV	6.0 kV	6 kV
Insulating material class	CTI 600		
Rated wiring solid wire	0.2 - 2.5 mm ²		
Rated wiring stranded wire	0.2 - 2.5 mm ²		
Rated wiring solid wire	AWG 28 - 12		
Rated wiring stranded wire	AWG 28 - 14		
Clearance and creepage distances	6.5 mm		
Solder pin dimension	0.8 x 1.0 mm		
Recommended pc board hole dia.	ø 1.4 mm		
Solder pin length	3.5 mm		
Protection category according to IEC 60529	IP 20		
Min. insul. strip length	6 mm		
Color	gray		

Dimensional drawing



L = (Pole size - 1) * centerline + 5 mm (0.197 in.)

P/N

AST137

	02	03	04	05	06	07	08
09	10	11	12	13	14	15	16
17	18	19	20	21	22	23	24

(Information: page 21)

Standard pole sizes



* Approval pending



Product family Pole size Color Option
ST177xxLDNN*(AST177)
 Centerline Design Function *old product name

- spring clamp terminal block, solderable, double solder pins
- centerline 7.50 mm, direction of connection 60°
- color gray
- push-button

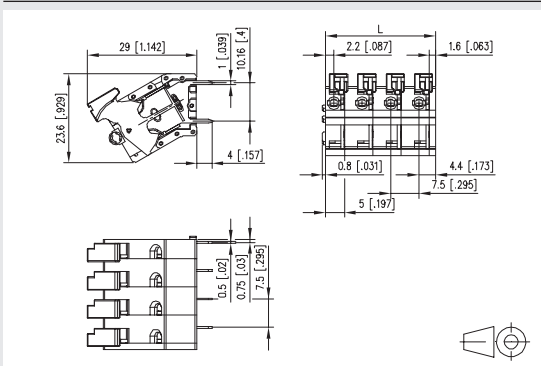
Technical data

UL V / A / AWG 750 / 15 / 28 - 12

SEV 1 mm² 250 V / 13.5 A / T60

Overvoltage category	III	III	II
Pollution degree	3	2	2
Rated voltage	500 V	1250 V	1250 V
Rated test voltage	6.0 kV	6.0 kV	6 kV
Insulating material class	CTI 600		
Rated wiring solid wire	0.08 - 2.5 mm ²		
Rated wiring stranded wire	0.08 - 2.5 mm ²		
Rated wiring solid wire	AWG 28 - 12		
Rated wiring stranded wire	AWG 28 - 12		
Clearance and creepage distances	7.12 mm		
Solder pin dimension	2 x 0.5 x 1.0 mm		
Recommended pc board hole dia.	ø 1.4 mm		
Solder pin length	4 mm		
Protection category according to IEC 60529	IP 20		
Min. insul. strip length	15 mm		
Color	gray		

Dimensional drawing



L = (Pole size - 1) * centerline + 6.6 mm (0.260 in.)

P/N

AST177

	02	03	04	05	06	07	08
09	10	11	12	13	14	15	16
17	18	19	20	21	22	23	24

(Information: page 21)

Standard pole sizes



* Approval pending



Product family Pole size Color Option
ST187xxLDNN*(AST187)
Centerline Design Function *old product name

- spring clamp terminal block, solderable, double solder pins
- centerline 7.50 mm, direction of connection 60°
- color gray
- push-button, double solder pins

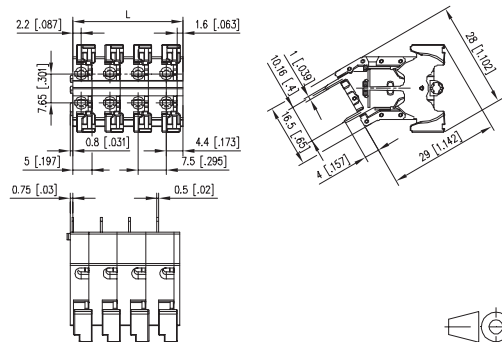
Technical data

UL ^{us} V / A / AWG 750 / 15 / 28 - 12

SEV 1 mm² 250 V / 13.5 A / T60

Overvoltage category	III	III	II
Pollution degree	3	2	2
Rated voltage	500 V	1250 V	1250 V
Rated test voltage	6.0 kV	6.0 kV	6 kV
Insulating material class	CTI 600		
Rated wiring solid wire	0.08 - 2.5 mm ²		
Rated wiring stranded wire	0.08 - 2.5 mm ²		
Rated wiring solid wire	AWG 28 - 12		
Rated wiring stranded wire	AWG 28 - 12		
Clearance and creepage distances	7.12 mm		
Solder pin dimension	2 x 0.5 x 1.0 mm		
Recommended pc board hole dia.	ø 1.4 mm		
Solder pin length	4 mm		
Protection category according to IEC 60529	IP 20		
Min. insul. strip length	15 mm		
Color	gray		

Dimensional drawing



L = (Pole size - 1) * centerline + 6.6 mm (0.260 in.)

P/N

AST187

Complete the part number by adding the pole size.

	02	03	04	05	06	07	08
09	10	11	12	13	14	15	16
17	18	19	20	21	22	23	24

(Information: page 21)

Standard pole sizes



Product family Pole size Color Option
ST098xxHDNN*(AST098)
 Centerline Design Function *old product name

- spring clamp terminal block, solderable, double solder pins
- centerline 7.62 mm, direction of connection 90°
- color gray
- push-button, double solder pins

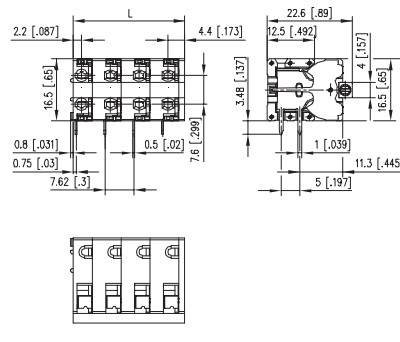
Technical data

UL ^{us} V / A / AWG 600 / 15 / 28 - 12

SEV 1 mm² 250 V / 13.5 A / T60

Overvoltage category	III	III	II
Pollution degree	3	2	2
Rated voltage	500 V	1250 V	1250 V
Rated test voltage	6.0 kV	6.0 kV	6 kV
Insulating material class	CTI 600		
Rated wiring solid wire	0.2 - 2.5 mm ²		
Rated wiring stranded wire	0.2 - 2.5 mm ²		
Rated wiring solid wire	AWG 28 - 12		
Rated wiring stranded wire	AWG 28 - 12		
Clearance and creepage distances	7.12 mm		
Solder pin dimension	2 x 1.0 x 0.8 mm		
Recommended pc board hole dia.	ø 1.4 mm		
Solder pin length	3.48 mm		
Protection category according to IEC 60529	IP 20		
Min. insul. strip length	15 mm		
Color	gray		

Dimensional drawing



L = (Pole size - 1) * centerline + 6.6 mm (0.260 in.)

P/N

Complete the part number by adding the pole size.

AST098	<input type="text"/>	02	03	04	05	06	07	08
		09	10	11	12			

(Information: page 21)

Standard pole sizes



* Approval pending



Product family Pole size Color Option
ST178xxLDNN*(AST178)
 Centerline Design Function *old product name

- spring clamp terminal block, solderable, double solder pins
- centerline 7.62 mm, direction of connection 60°
- color gray
- push-button

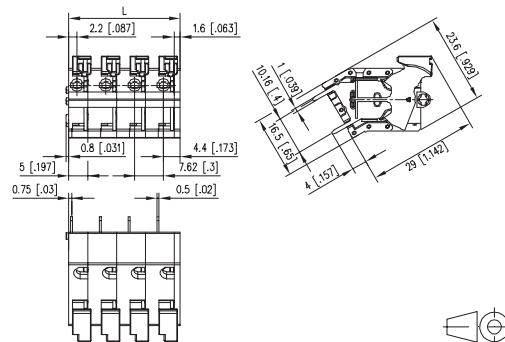
Technical data

UL ^{us} V / A / AWG 750 / 15 / 28 - 12

SEV 1 mm² 250 V / 13.5 A / T60

Overvoltage category	III	III	II
Pollution degree	3	2	2
Rated voltage	500 V	1250 V	1250 V
Rated test voltage	6.0 kV	6.0 kV	6 kV
Insulating material class	CTI 600		
Rated wiring solid wire	0.08 - 2.5 mm ²		
Rated wiring stranded wire	0.08 - 2.5 mm ²		
Rated wiring solid wire	AWG 28 - 12		
Rated wiring stranded wire	AWG 28 - 12		
Clearance and creepage distances	7.12 mm		
Solder pin dimension	2 x 0.5 x 1.0 mm		
Recommended pc board hole dia.	ø 1.4 mm		
Solder pin length	4 mm		
Protection category according to IEC 60529	IP 20		
Min. insul. strip length	15 mm		
Color	gray		

Dimensional drawing



L = (Pole size - 1) * centerline + 6.6 mm (0.260 in.)

P/N

Complete the part number by adding the pole size.

AST178	<input type="text"/>	02	03	04	05	06	07	08
		09	10	11	12	13	14	15
		17	18	19	20	21	22	23
								24

(Information: page 21)

Standard pole sizes



* Approval pending



Product family Pole size Color Option
ST188xxLDNN *(AST188)
 Centerline Design Function *old product name

- spring clamp terminal block, solderable, double solder pins
- centerline 7.62 mm, direction of connection 60°
- color gray
- push-button, double solder pins

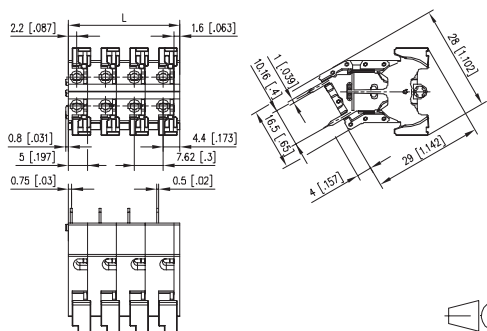
Technical data

UL US V / A / AWG 750 / 15 / 28 - 12

SEV 1 mm² 250 V / 13.5 A / T60

Overvoltage category	III	III	II
Pollution degree	3	2	2
Rated voltage	500 V	1250 V	1250 V
Rated test voltage	6.0 kV	6.0 kV	6 kV
Insulating material class	CTI 600		
Rated wiring solid wire	0.08 - 2.5 mm ²		
Rated wiring stranded wire	0.08 - 2.5 mm ²		
Rated wiring solid wire	AWG 28 - 12		
Rated wiring stranded wire	AWG 28 - 12		
Clearance and creepage distances	7.12 mm		
Solder pin dimension	2 x 0.5 x 1.0 mm		
Recommended pc board hole dia.	ø 1.4 mm		
Solder pin length	4 mm		
Protection category according to IEC 60529	IP 20		
Min. insul. strip length	15 mm		
Color	gray		

Dimensional drawing



L = (Pole size - 1) * centerline + 6.6 mm (0.260 in.)

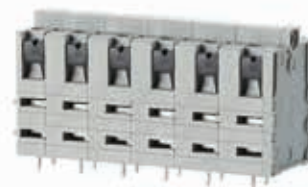
P/N

AST188

	02	03	04	05	06	07	08
09	10	11	12	13	14	15	16
17	18	19	20	21	22	23	24

(Information: page 21)

Standard pole sizes



Product family Pole size Color Option
ST108xxVDNN *(AST108)
 Centerline Design Function *old product name

- spring clamp terminal block, solderable, double solder pins
- centerline 7.62 mm, direction of connection vertical 0°
- color gray
- push-button, double solder pins

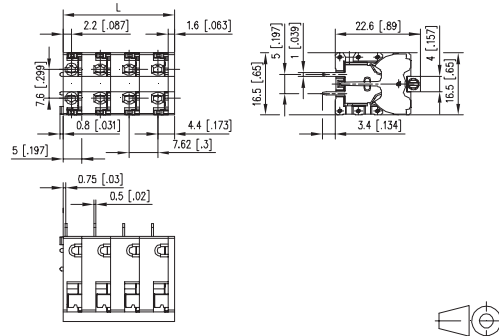
Technical data

UL US V / A / AWG 600 / 15 / 28 - 12

SEV 1 mm² 250 V / 13.5 A / T60

Overvoltage category	III	III	II
Pollution degree	3	2	2
Rated voltage	500 V	1250 V	1250 V
Rated test voltage	6.0 kV	6.0 kV	6 kV
Insulating material class	CTI 600		
Rated wiring solid wire	0.2 - 2.5 mm ²		
Rated wiring stranded wire	0.2 - 2.5 mm ²		
Rated wiring solid wire	AWG 28 - 12		
Rated wiring stranded wire	AWG 28 - 12		
Clearance and creepage distances	7.12 mm		
Solder pin dimension	2 x 0.5 x 1.0 mm		
Recommended pc board hole dia.	ø 1.4 mm		
Solder pin length	3.4 mm		
Protection category according to IEC 60529	IP 20		
Min. insul. strip length	15 mm		
Color	gray		

Dimensional drawing



L = (Pole size - 1) * centerline + 6.6 mm (0.260 in.)

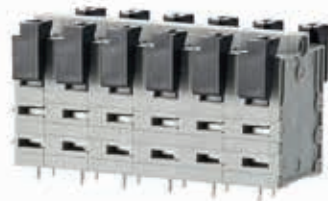
P/N

AST108

	02	03	04	05	06	07	08
09	10	11	12				

(Information: page 21)

Standard pole sizes



Product family Pole size Color Option
ST128xxVDNN*(AST128)
Centerline Design Function *old product name

- spring clamp terminal block, solderable, double solder pins
- centerline 7.62 mm, direction of connection vertical 0°
- color gray
- finger push-button, double solder pins

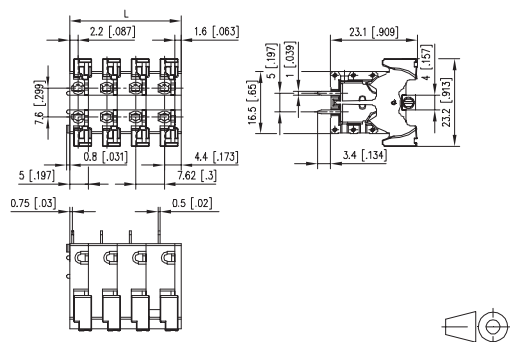
Technical data

600 V / A / AWG 600 / 15 / 28 - 12

1 mm² 250 V / 13.5 A / T60

Overvoltage category	III	III	II
Pollution degree	3	2	2
Rated voltage	500 V	1250 V	1250 V
Rated test voltage	6.0 kV	6.0 kV	6 kV
Insulating material class	CTI 600		
Rated wiring solid wire	0.2 - 2.5 mm ²		
Rated wiring stranded wire	0.2 - 2.5 mm ²		
Rated wiring solid wire	AWG 28 - 12		
Rated wiring stranded wire	AWG 28 - 12		
Clearance and creepage distances	7.12 mm		
Solder pin dimension	2 x 0.5 x 1.0 mm		
Recommended pc board hole dia.	ø 1.4 mm		
Solder pin length	3.4 mm		
Protection category according to IEC 60529	IP 20		
Min. insul. strip length	15 mm		
Color	gray		

Dimensional drawing



L = (Pole size - 1) * centerline + 6.6 mm (0.260 in.)

P/N

AST128

Complete the part number by adding the pole size.

	02	03	04	05	06	07	08
09	10	11	12	13	14	15	16
17	18	19	20	21	22	23	24

(Information: page 21)

Standard pole sizes



Product family Pole size Color Option
ST059xxHBNC *(AST059)
 Centerline Design Function *old product name

- spring clamp terminal block, solderable
- centerline 10.00 mm, direction of connection 90°
- fittable without loss of poles
- color black
- eccentric lever

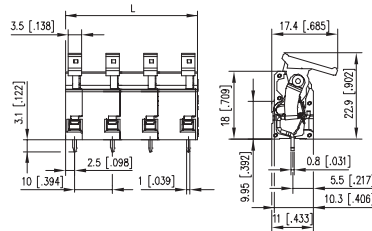
Technical data

cULus V / A / AWG 600 / 12 / 28 - 12

SEV 2.5 mm² 250 V / 10 A / T60

Overvoltage category	III	III	II
Pollution degree	3	2	2
Rated voltage	630 V	1600 V	1600 V
Rated test voltage	8.0 kV	8 kV	8.0 kV
Insulating material class	CTI 600		
Rated wiring solid wire	0.08 - 2.5 mm ²		
Rated wiring stranded wire	0.08 - 2.5 mm ²		
Rated wiring solid wire	AWG 28 - 12		
Rated wiring stranded wire	AWG 28 - 12		
Clearance and creepage distances	9 mm		
Solder pin dimension	1.0 x 0.8 mm		
Recommended pc board hole dia.	ø 1.4 mm		
Solder pin length	3.1 mm		
Protection category according to IEC 60529	IP 20		
Min. insul. strip length	6 mm		
Color	black		

Dimensional drawing



L = (Pole size - 1) * centerline + 5 mm (0.197 in.)

P/N

Complete the part number by adding the pole size.

AST059	<input type="checkbox"/>	<input type="checkbox"/>	<input type="checkbox"/>	<input type="checkbox"/>	<input type="checkbox"/>	<input type="checkbox"/>	<input type="checkbox"/>
	02	03	04	05	06	07	08
	09	10	11	12			

(Information: page 21)

Standard pole sizes



Product family Pole size Color Option
ST139xxDDNC *(AST139)
 Centerline Design Function *old product name

- spring clamp terminal block, solderable
- centerline 10.00 mm, direction of connection 45°
- fittable without loss of poles
- color gray
- eccentric lever

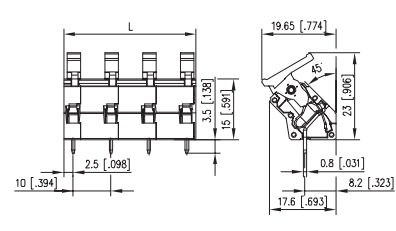
Technical data

cULus V / A / AWG 300 / 13 / 28 - 14

SEV 2.5 mm² 800 V / 24 A / T60

Overvoltage category	III	III	II
Pollution degree	3	2	2
Rated voltage	630 V	1600 V	1600 V
Rated test voltage	8.0 kV	8 kV	8.0 kV
Insulating material class	CTI 600		
Rated wiring solid wire	0.2 - 2.5 mm ²		
Rated wiring stranded wire	0.2 - 2.5 mm ²		
Rated wiring solid wire	AWG 28 - 12		
Rated wiring stranded wire	AWG 28 - 12		
Clearance and creepage distances	9 mm		
Solder pin dimension	0.8 x 1.0 mm		
Recommended pc board hole dia.	ø 1.4 mm		
Solder pin length	3.5 mm		
Protection category according to IEC 60529	IP 20		
Min. insul. strip length	6 mm		
Color	gray		

Dimensional drawing



L = (Pole size - 1) * centerline + 5 mm (0.197 in.)

P/N

Complete the part number by adding the pole size.

AST139	<input type="checkbox"/>	<input type="checkbox"/>	<input type="checkbox"/>	<input type="checkbox"/>	<input type="checkbox"/>	<input type="checkbox"/>	<input type="checkbox"/>
	02	03	04	05	06	07	08
	09	10	11	12			

(Information: page 21)

Standard pole sizes

Pin Headers

for SP051xxVGNN Page

PT091xxHGBN (Type 374) 145

PT091xxVGBN (Type 373) 145



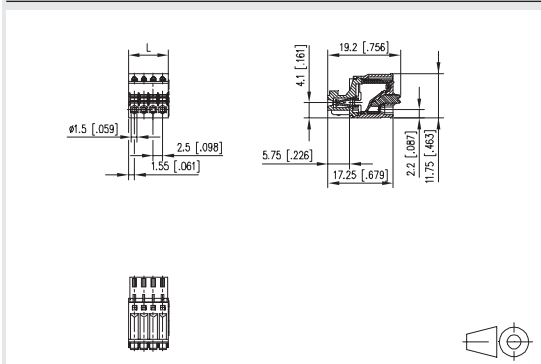
Product family	Pole size	Color	Option
SP051xxVGNN *(ASP051)			
Centerline	Design	Function	*old product name

- spring clamp terminal block, pluggable
- centerline 2.50 mm, direction of connection vertical 0°
- color green
- push-button, wire entry uncodeable side parallel to plug direction

Technical data

150 V / A / AWG	150 / 5 / 28 - 20
6 A / 80 V / 2.5 kV / 3 / 0.08 - 0.5 mm² / IEC 61984	
Overvoltage category	III III II
Pollution degree	3 2 2
Rated voltage	80 V 320 V 320 V
Rated test voltage	2.5 kV 2.5 kV 2.5 kV
Insulating material class	CTI 600
Rated wiring solid wire	0.08 - 0.5 mm²
Rated wiring stranded wire	0.08 - 0.5 mm²
Rated wiring solid wire	AWG 28 - 20
Rated wiring stranded wire	AWG 28 - 20
Clearance and creepage distances	1.7 mm
Protection category according to IEC 60529	IP 20
Min. insul. strip length	8 mm
Color	green

Dimensional drawing



L = (Pole size - 1) * centerline + 3.1 mm (0.122 in.)

P/N

ASP051

Complete the part number by adding the pole size.

	02	03	04	05	06	07	08
09	10	11	12				

(Information: page 21)

Standard pole sizes

Pin Headers

for SP043xxVBNN	Page
PR043xxHBBN (Type 188)	146
PT093xxHBBN (Type 342)	149
PR043xxVBBN (Type 189)	151
PT093xxVBBN (Type 343)	154

Accessories

for SP043xxVBNN 700025	Page
	298

Pin Headers

for SW063xxVBNN	Page
PW063xxHBEC (Type 527)	147
PW063xxHBBN (Type 523)	148
PW063xxVBEC (Type 528)	152
PW063xxVBBN (Type 524)	152



SP043xxVBNN * (ASP043)

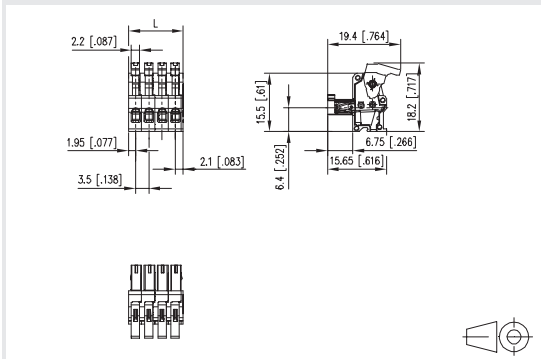
Centerline Design Function *old product name

- spring clamp terminal block, pluggable
- centerline 3.50 mm, direction of connection vertical 0°
- color black
- eccentric lever, wire entry uncodeable side parallel to plug direction

Technical data

150 V / A / AWG	150 / 10 / 28 - 16		
10 A / 130 V / 2.5 kV / 3 / 0.08 - 1.5 mm ² / IEC 61984			
Overvoltage category	III	III	II
Pollution degree	3	2	2
Rated voltage	160 V	320 V	320 V
Rated test voltage	2.5 kV	2.5 kV	2.5 kV
Insulating material class	CTI 400		
Rated wiring solid wire	0.08 - 1.5 mm ²		
Rated wiring stranded wire	0.08 - 1.5 mm ²		
Rated wiring solid wire	AWG 28 - 16		
Rated wiring stranded wire	AWG 28 - 16		
Clearance and creepage distances	2.3 mm		
Protection category according to IEC 60529	IP 20		
Min. insul. strip length	6 mm		
Color	black		

Dimensional drawing



L = (Pole size - 1) * centerline + 4 mm (0.157 in.)

P/N

ASP043

02	03	04	05	06	07	08
09	10	11	12			

(Information: page 21)

Standard pole sizes



SW063xxVBNN

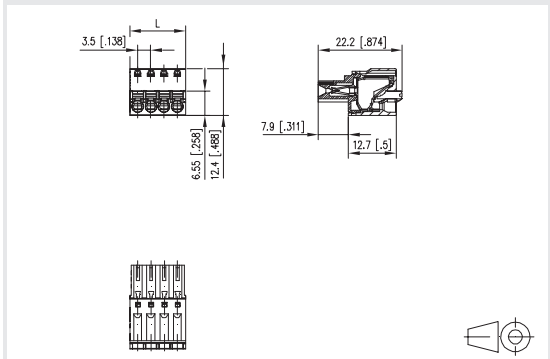
Centerline Design Function

- spring clamp terminal block, pluggable
- centerline 3.50 mm, direction of connection vertical 0°
- color black
- push-button, wire entry uncodeable side parallel to plug direction

Technical data

150 V / A / AWG	150 / 8 / 28 - 16		
8 A / 130 V / 2.5 kV / 3 / 0.08 - 1.5 mm ² / IEC 61984			
Overvoltage category	III	III	II
Pollution degree	3	2	2
Rated voltage	125 V	320 V	320 V
Rated test voltage	2.5 kV	2.5 kV	2.5 kV
Insulating material class	CTI 600		
Rated wiring solid wire	0.08 - 1.5 mm ²		
Rated wiring stranded wire	0.08 - 1.5 mm ²		
Rated wiring solid wire	AWG 28 - 16		
Rated wiring stranded wire	AWG 28 - 16		
Clearance and creepage distances	1.9 mm		
Protection category according to IEC 60529	IP 20		
Min. insul. strip length	9 mm		
Color	black		

Dimensional drawing



L = (Pole size - 1) * centerline + 4.3 mm (0.169 in.)

P/N

SW063 VBNN

02	03	04	05	06	07	08
09	10	11	12	13	14	15
17	18	19	20	21	22	23
24						

(Information: page 21)

Standard pole sizes

Pin Headers

for SP063xxVGNN Page

PR043xxHBBN (Type 188) 146

PT093xxHBBN (Type 342) 149

PR043xxVBBN (Type 189) 151

PT093xxVBBN (Type 343) 154

Pin Headers

for SP063xxVGNF Page

PR043xxHBBF (Type 388) 147

PT093xxHBBF (Type 394) 149

PR043xxVBBF (Type 389) 151



* Approval pending



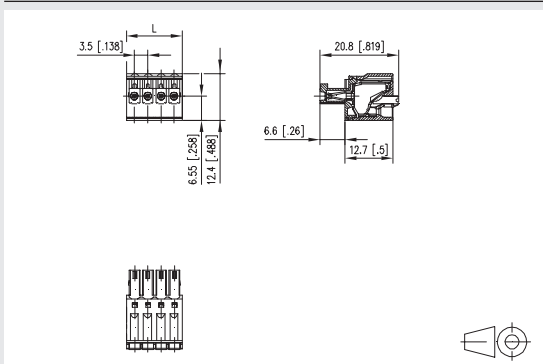
Product family Pole size Color Option
SP063xxVGNN *(ASP063)
 Centerline Design Function *old product name

- spring clamp terminal block, pluggable
- centerline 3.50 mm, direction of connection vertical 0°
- color green
- push-button, wire entry uncodeable side parallel to plug direction

Technical data

US V / A / AWG	150 / 8 / 28 - 16		
8 A / 130 V / 2.5 kV / 3 / 0.08 - 1.5 mm ² / IEC 61984			
Overvoltage category	III	III	II
Pollution degree	3	2	2
Rated voltage	125 V	320 V	320 V
Rated test voltage	2.5 kV	2.5 kV	2.5 kV
Insulating material class	CTI 600		
Rated wiring solid wire	0.08 - 1.5 mm ²		
Rated wiring stranded wire	0.08 - 1.5 mm ²		
Rated wiring solid wire	AWG 28 - 16		
Rated wiring stranded wire	AWG 28 - 16		
Clearance and creepage distances	1.9 mm		
Protection category according to IEC 60529	IP 20		
Min. insul. strip length	9 mm		
Color	green		

Dimensional drawing



L = (Pole size - 1) * centerline + 4.3 mm (0.169 in.)

P/N

ASP063

Complete the part number by adding the pole size.

	02	03	04	05	06	07	08	
	09	10	11	12	13	14	15	16
	17	18	19	20	21	22	23	24

(Information: page 21)

Standard pole sizes



* Approval pending



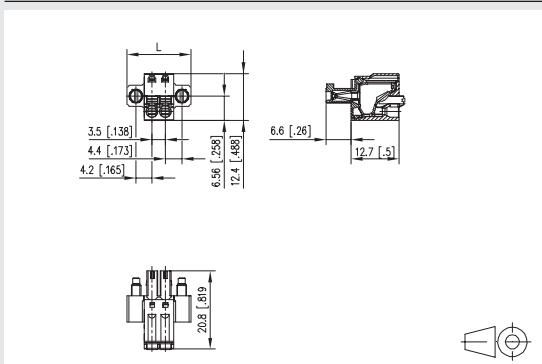
Product family Pole size Color Option
SP063xxVGNF *(ASP083)
 Centerline Design Function *old product name

- spring clamp terminal block, pluggable
- centerline 3.50 mm, direction of connection vertical 0°
- color green, mounting flange
- push-button, wire entry uncodeable side parallel to plug direction

Technical data

US V / A / AWG	150 / 8 / 28 - 16		
8 A / 130 V / 2.5 kV / 3 / 0.08 - 1.5 mm ² / IEC 61984			
Overvoltage category	III	III	II
Pollution degree	3	2	2
Rated voltage	125 V	320 V	320 V
Rated test voltage	2.5 kV	2.5 kV	2.5 kV
Insulating material class	CTI 600		
Rated wiring solid wire	0.08 - 1.5 mm ²		
Rated wiring stranded wire	0.08 - 1.5 mm ²		
Rated wiring solid wire	AWG 28 - 16		
Rated wiring stranded wire	AWG 28 - 16		
Clearance and creepage distances	1.9 mm		
Protection category according to IEC 60529	IP 20		
Min. insul. strip length	9 mm		
Color	green		

Dimensional drawing



L = (Pole size - 1) * centerline + 13.50 mm (0.531 in.)

P/N

ASP083

Complete the part number by adding the pole size.

	02	03	04	05	06	07	08	
	09	10	11	12	13	14	15	16
	17	18	19	20	21	22	23	24

(Information: page 21)

Standard pole sizes

Pin Headers

for SP044xxVBNN Page

PR044xxHBBN (Type 190) 155

PR044xxVBBN (Type 191) 157

Accessories

for SP044xxVBNN Page

700025 298

Pin Headers

for SP064xxVGNN Page

PR044xxHBBN (Type 190) 155

PT094xxHBBN (Type 382) 156

PR044xxVBBN (Type 191) 157

PT094xxVBBN (Type 383) 158

Accessories

for SP064xxVGNN Page

700025 298



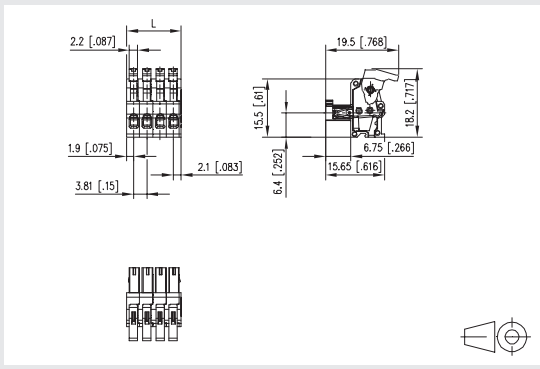
Product family Pole size Color Option
SP044xxVBNN*(ASP044)
 Centerline Design Function *old product name

- spring clamp terminal block, pluggable
- centerline 3.81 mm, direction of connection vertical 0°
- color black
- eccentric lever, wire entry uncodeable side parallel to plug direction

Technical data

150 V / A	150 / 10		
10 A / 130 V / 2.5 kV / 3 / 0.08 - 1.5 mm ² / IEC 61984			
Overvoltage category	III	III	II
Pollution degree	3	2	2
Rated voltage	160 V	320 V	320 V
Rated test voltage	2.5 kV	2.5 kV	2.5 kV
Insulating material class	CTI 400		
Rated wiring solid wire	0.08 - 1.5 mm ²		
Rated wiring stranded wire	0.08 - 1.5 mm ²		
Rated wiring solid wire	AWG 28 - 16		
Rated wiring stranded wire	AWG 28 - 16		
Clearance and creepage distances	2.6 mm		
Protection category according to IEC 60529	IP 20		
Min. insul. strip length	6 mm		
Color	black		

Dimensional drawing



L = (Pole size - 1) * centerline + 4 mm (0.157 in.)

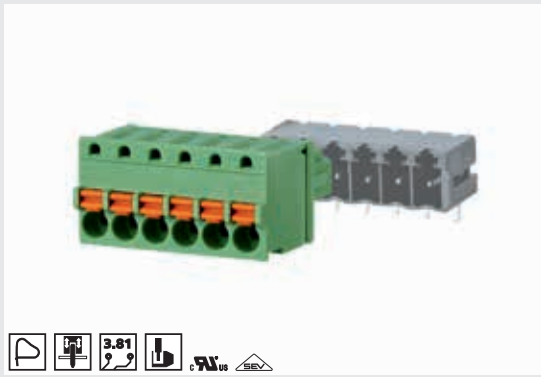
P/N Complete the part number by adding the pole size.

ASP044

02	03	04	05	06	07	08
09	10	11	12			

(Information: page 21)

Standard pole sizes



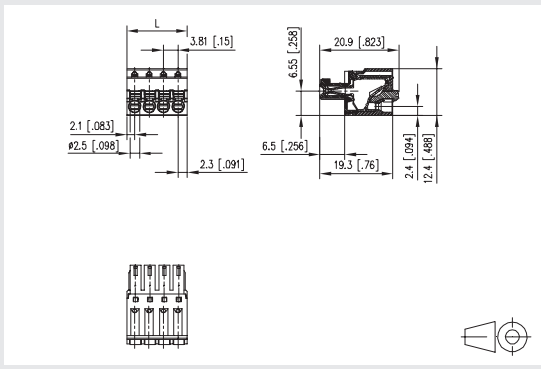
Product family Pole size Color Option
SP064xxVGNN*(ASP064)
 Centerline Design Function *old product name

- spring clamp terminal block, pluggable
- centerline 3.81 mm, direction of connection vertical 0°
- color green
- push-button, wire entry uncodeable side parallel to plug direction

Technical data

150 V / A / AWG	150 / 8 / 28 - 16		
9 A / 130 V / 2.5 kV / 3 / 0.08 - 1.5 mm ² / IEC 61984			
Overvoltage category	III	III	II
Pollution degree	3	2	2
Rated voltage	125 V	320 V	320 V
Rated test voltage	2.5 kV	2.5 kV	2.5 kV
Insulating material class	CTI 600		
Rated wiring solid wire	0.08 - 1.5 mm ²		
Rated wiring stranded wire	0.08 - 1.5 mm ²		
Rated wiring solid wire	AWG 28 - 16		
Rated wiring stranded wire	AWG 28 - 16		
Clearance and creepage distances	1.9 mm		
Protection category according to IEC 60529	IP 20		
Min. insul. strip length	9 mm		
Color	green		

Dimensional drawing



L = (Pole size - 1) * centerline + 4.6 mm (0.181 in.)

P/N Complete the part number by adding the pole size.

ASP064

02	03	04	05	06	07	08	
09	10	11	12	13	14	15	16
17	18	19	20	21	22	23	24

(Information: page 21)

Standard pole sizes


Pin Headers

for SP064xxVGNF	Page
 PR044xxHBBF (Type 390)	155
 PT094xxHBBF (Type 392)	156
 PR044xxVBBF (Type 391)	157
 PT094xxVBBF (Type 393)	158

Accessories

for SP064xxVGNF 700025	Page
	298







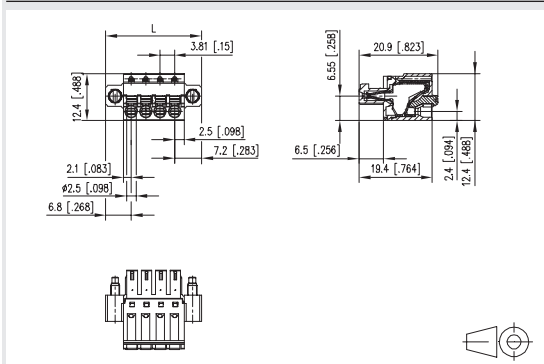
Product family	Pole size	Color	Option
SP06	4xx	VGNF	F *(ASP084)
Centerline	Design	Function	*old product name

- spring clamp terminal block, pluggable
- centerline 3.81 mm, direction of connection vertical 0°
- color green, mounting flange
- push-button, wire entry uncodeable side parallel to plug direction

Technical data

 US V / A / AWG	150 / 8 / 28 - 16
 9 A / 130 V / 2.5 kV / 3 / 0.08 - 1.5 mm ² / IEC 61984	
Overvoltage category	III III II
Pollution degree	3 2 2
Rated voltage	125 V 320 V 320 V
Rated test voltage	2.5 kV 2.5 kV 2.5 kV
Insulating material class	CTI 600
Rated wiring solid wire	0.08 - 1.5 mm ²
Rated wiring stranded wire	0.08 - 1.5 mm ²
Rated wiring solid wire	AWG 28 - 16
Rated wiring stranded wire	AWG 28 - 16
Clearance and creepage distances	1.9 mm
Protection category according to IEC 60529	IP 20
Min. insul. strip length	9 mm
Color	green

Dimensional drawing



P/N

ASP084

Complete the part number by adding the pole size.

	02	03	04	05	06	07	08
09	10	11	12	13	14	15	16
17	18	19	20	21	22	23	24

(Information: page 21)

 Standard pole sizes

Pin Headers

for SP025xxHDNC	Page
PT055xxHBHC (Type 039)	163
PR015xxVBHC (Type 017)	166
PM035xxVBHC (Type 417)	170
PT065xxVBEN (Type 041)	172

Accessories

for SP025xxHDNC	Page
720036	289

Pin Headers

for SP145xxHBNC	Page
PR035xxVBHC (Type 046)	168



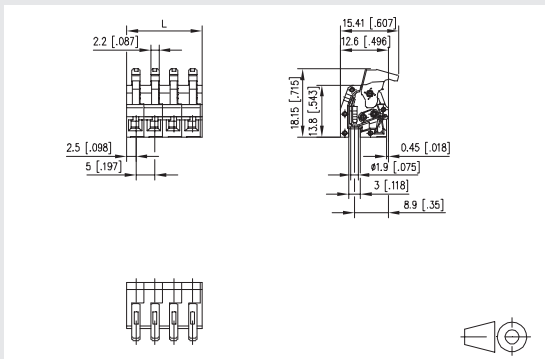
Product family Pole size Color Option
SP025xxHDNC *(ASP025)
Centerline Design Function *old product name

- spring clamp terminal block, pluggable
- centerline 5.00 mm, direction of connection 90°
- fittable without loss of poles
- color gray
- eccentric lever, wire entry perpendicular to plug direction

Technical data

US V / A / AWG	300 / 8 / 28 - 16		
10 A / 250 V / 2.5 kV / 3 / 0.08 - 1.5 mm ² / IEC 61984			
Overvoltage category	III	III	II
Pollution degree	3	2	2
Rated voltage	250 V	500 V	500 V
Rated test voltage	4.0 kV	4 kV	4.0 kV
Insulating material class	CTI 400		
Rated wiring solid wire	0.08 - 1.5 mm ²		
Rated wiring stranded wire	0.08 - 0.75 mm ²		
Rated wiring solid wire	AWG 28 - 16		
Rated wiring stranded wire	AWG 28 - 18		
Clearance and creepage distances	3.7 mm		
Protection category according to IEC 60529	IP 20		
Min. insul. strip length	4 mm		
Color	gray		

Dimensional drawing



L = (Pole size - 1) * centerline + 5 mm (0.197 in.)

P/N

ASP025

	02	03	04	05	06	07	08
09	10	11	12	13	14	15	16
17	18	19	20	21	22	23	24

(Information: page 21)

Standard pole sizes



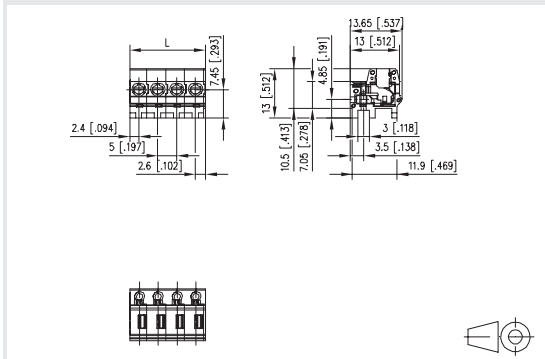
Product family Pole size Color Option
SP145xxHBNC *(ASP145)
Centerline Design Function *old product name

- spring clamp terminal block, pluggable
- centerline 5.00 mm, direction of connection 90°
- fittable without loss of poles
- color black
- push-button, wire entry perpendicular or parallel to plug direction, three plugging directions

Technical data

US V / A / AWG	300 / 6 / 28 - 16		
13.5 A / 250 V / 4 kV / 3 / 0.08 - 1.5 mm ² / IEC 61984			
Overvoltage category	III	III	II
Pollution degree	3	2	2
Rated voltage	250 V	630 V	630 V
Rated test voltage	2.5 kV	6 kV	4 kV
Insulating material class	CTI 225		
Rated wiring solid wire	0.08 - 1.5 mm ²		
Rated wiring stranded wire	0.08 - 1.5 mm ²		
Rated wiring solid wire	AWG 28 - 16		
Rated wiring stranded wire	AWG 28 - 16		
Clearance and creepage distances	3.2 mm		
Protection category according to IEC 60529	IP 20		
Min. insul. strip length	7 mm		
Color	black		

Dimensional drawing



L = (Pole size - 1) * centerline + 5 mm (0.197 in.)

P/N

ASP145

	02	03	04	05	06	07	08
09	10	11	12				

(Information: page 21)

Standard pole sizes

Pin Headers

for SP155xxHBNC	Page
PR035xxVBHC (Type 046)	168

Pin Headers

for SP045xxVBNC	Page
PR065xxHBEC (Type 476)	159
PR065xxHBBN (Type 176)	159
PR075xxHBEL (Type 337)	160
PR075xxHBER (Type 338)	161
PT115xxHBEC (Type 329)	164
PT115xxHBBN (Type 330)	164
PT165xxHGDN (Type 276)	165
PR065xxVBEC (Type 477)	169
PR065xxVBBN (Type 177)	169
PT115xxVBEC (Type 319)	173
PT115xxVBBN (Type 320)	174
PT165xxVGDN (Type 274)	175
PT175xxVGDN (Type 270)	175

Accessories

for SP045xxVBNC	Page
700025	298



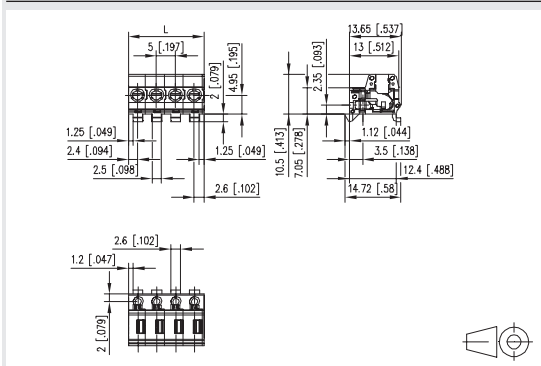
Product family Pole size Color Option
SP155xxHBNC *(ASP155)
 Centerline Design Function *old product name

- spring clamp terminal block, pluggable
- centerline 5.00 mm, direction of connection 90°
- fittable without loss of poles
- color black
- push-button, wire entry perpendicular or parallel to plug direction, three plugging directions, clip system for mounting into a housing

Technical data

V / A / AWG	300 / 6 / 28 - 16
13.5 A / 250 V / 4 kV / 3 / 0.08 - 1.5 mm ² / IEC 61984	
Overvoltage category	III III II
Pollution degree	3 2 2
Rated voltage	250 V 630 V 630 V
Rated test voltage	4.0 kV 4.0 kV 4 kV
Insulating material class	CTI 600
Rated wiring solid wire	0.08 - 1.5 mm ²
Rated wiring stranded wire	0.08 - 1.5 mm ²
Rated wiring solid wire	AWG 28 - 16
Rated wiring stranded wire	AWG 28 - 16
Clearance and creepage distances	3.2 mm
Protection category according to IEC 60529	IP 20
Min. insul. strip length	7 mm
Color	black

Dimensional drawing



L = (Pole size - 1) * centerline + 5 mm (0.197 in.)

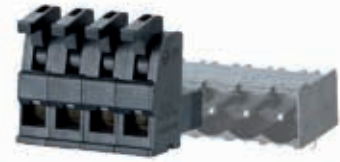
P/N

ASP155

	02	03	04	05	06	07	08
09	10	11	12				

(Information: page 21)

Standard pole sizes



* Approval pending



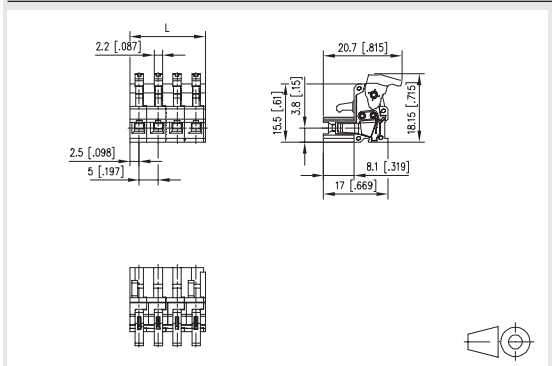
Product family Pole size Color Option
SP045xxVBNC *(ASP045)
 Centerline Design Function *old product name

- spring clamp terminal block, pluggable
- centerline 5.00 mm, direction of connection vertical 0°
- fittable without loss of poles
- color black
- eccentric lever, wire entry uncodeable side parallel to plug direction

Technical data

V / A / AWG	300 / 10 / 28 - 16
10 A / 250 V / 4 kV / 3 / 0.08 - 1 mm ² / IEC 61984	
Overvoltage category	III III II
Pollution degree	3 2 2
Rated voltage	250 V 500 V 500 V
Rated test voltage	4.0 kV 4 kV 4.0 kV
Insulating material class	CTI 400
Rated wiring solid wire	0.08 - 1.5 mm ²
Rated wiring stranded wire	0.08 - 1.5 mm ²
Rated wiring solid wire	AWG 28 - 16
Rated wiring stranded wire	AWG 28 - 16
Clearance and creepage distances	4 mm
Protection category according to IEC 60529	IP 20
Min. insul. strip length	4 mm
Color	black

Dimensional drawing



L = (Pole size - 1) * centerline + 5 mm (0.197 in.)

P/N

ASP045

	02	03	04	05	06	07	08
09	10	11	12	13	14	15	16

(Information: page 21)

Standard pole sizes

Pin Headers

for SP065xxVBNC Page

	PR065xxHBEC (Type 476)	159
	PR065xxHBBN (Type 176)	159
	PR075xxHBEL (Type 337)	160
	PR075xxHBER (Type 338)	161
	PT105xxHGDN (Type 280)	163
	PT115xxHBEC (Type 329)	164
	PT115xxHBBN (Type 330)	164
	PT165xxHGDN (Type 276)	165
	PR065xxVBEC (Type 477)	169
	PR065xxVBBN (Type 177)	169
	PT105xxVGDN (Type 278)	173
	PT115xxVBBN (Type 320)	174
	PT165xxVGDN (Type 274)	175
	PT175xxVGDN (Type 270)	175

Accessories

for SP065xxVBNC Page
700025 298

Pin Headers

for SP065xxVBPC Page

	PR065xxHBEC (Type 476)	159
	PR065xxHBBN (Type 176)	159
	PR075xxHBEL (Type 337)	160
	PR075xxHBER (Type 338)	161
	PT105xxHGDN (Type 280)	163
	PT115xxHBEC (Type 329)	164
	PT115xxHBBN (Type 330)	164
	PT165xxHGDN (Type 276)	165
	PR065xxVBEC (Type 477)	169
	PR065xxVBBN (Type 177)	169
	PT105xxVGDN (Type 278)	173
	PT115xxVBBN (Type 320)	174
	PT165xxVGDN (Type 274)	175
	PT175xxVGDN (Type 270)	175

Accessories

for SP065xxVBPC Page
700025 298



* Approval pending



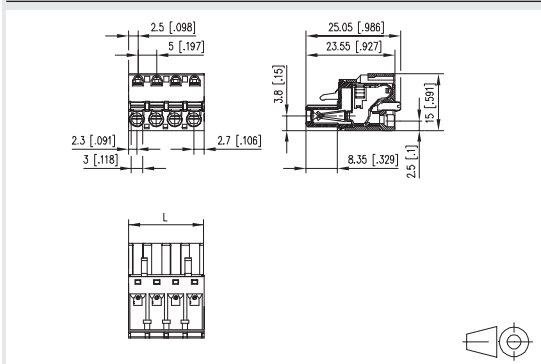
Product family Pole size Color Option
SP065xxVBNC
Centerline Design Function

- spring clamp terminal block, pluggable
- centerline 5.00 mm, direction of connection vertical 0°
- fittable without loss of poles
- color black
- push-button, wire entry uncodeable side parallel to plug direction

Technical data

	300 / 12 / 28 - 12
	12 A / 250 V / 4 kV / 3 / 0.08 - 2.5 mm ² / IEC 61984
Overvoltage category	III III II
Pollution degree	3 2 2
Rated voltage	250 V 630 V 630 V
Rated test voltage	4.0 kV 4.0 kV 4 kV
Insulating material class	CTI 600
Rated wiring solid wire	0.08 - 2.5 mm ²
Rated wiring stranded wire	0.08 - 2.5 mm ²
Rated wiring solid wire	AWG 28 - 12
Rated wiring stranded wire	AWG 28 - 12
Clearance and creepage distances	3.5 mm
Protection category according to IEC 60529	IP 20
Min. insul. strip length	10 mm
Color	black

Dimensional drawing



L = (Pole size - 1) * centerline + 5 mm (0.197 in.)

P/N Complete the part number by adding the pole size.

SP065	VBNC	02	03	04	05	06	07	08	
		09	10	11	12	13	14	15	16
		17	18	19	20	21	22	23	24

(Information: page 21)

Standard pole sizes



* Approval pending



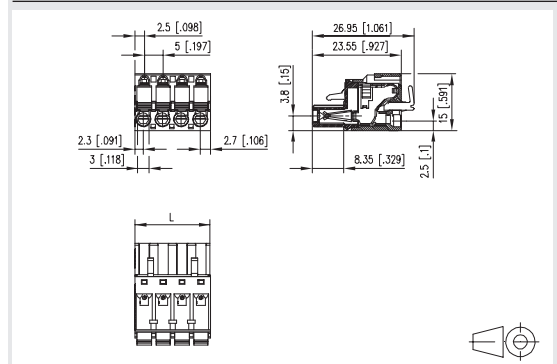
Product family Pole size Color Option
SP065xxVBPC
Centerline Design Function

- spring clamp terminal block, pluggable
- centerline 5.00 mm, direction of connection vertical 0°
- fittable without loss of poles
- color black
- finger push-button, wire entry uncodeable side parallel to plug direction

Technical data

	300 / 12 / 28 - 12
	12 A / 250 V / 4 kV / 3 / 0.08 - 2.5 mm ² / IEC 61984
Overvoltage category	III III II
Pollution degree	3 2 2
Rated voltage	250 V 630 V 630 V
Rated test voltage	4.0 kV 4.0 kV 4 kV
Insulating material class	CTI 600
Rated wiring solid wire	0.08 - 2.5 mm ²
Rated wiring stranded wire	0.08 - 2.5 mm ²
Rated wiring solid wire	AWG 28 - 12
Rated wiring stranded wire	AWG 28 - 12
Clearance and creepage distances	3.5 mm
Protection category according to IEC 60529	IP 20
Min. insul. strip length	10 mm
Color	black

Dimensional drawing



L = (Pole size - 1) * centerline + 5 mm (0.197 in.)

P/N Complete the part number by adding the pole size.

SP065	VBPC	02	03	04	05	06	07	08	
		09	10	11	12	13	14	15	16
		17	18	19	20	21	22	23	24

(Information: page 21)

Standard pole sizes

Pin Headers

for SP065xxVBNF	Page
PR065xxHBBF (Type 396)	160
PT115xxHBBF (Type 336)	165
PR065xxVBBF (Type 397)	170
PT115xxVBBF (Type 335)	174

Accessories

for SP065xxVBNF	Page
700025	298

Pin Headers

for SP065xxVBPF	Page
PR065xxHBBF (Type 396)	160
PT115xxHBBF (Type 336)	165
PR065xxVBBF (Type 397)	170
PT115xxVBBF (Type 335)	174

Accessories

for SP065xxVBPF	Page
700025	298



* Approval pending

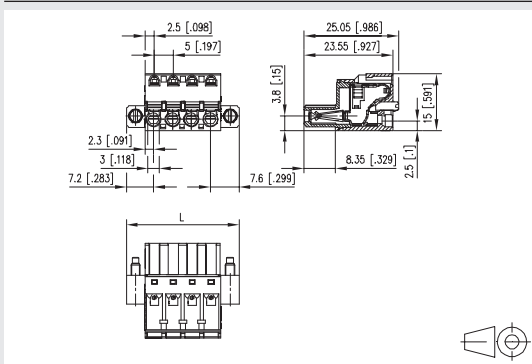
Product family	Pole size	Color	Option
SP065xxVBNF			
Centerline	Design	Function	

- spring clamp terminal block, pluggable
- centerline 5.00 mm, direction of connection vertical 0°
- color black, mounting flange
- push-button, wire entry uncodeable side parallel to plug direction

Technical data

V / A / AWG	300 / 12 / 28 - 12		
12 A / 250 V / 4 kV / 3 / 0.08 - 2.5 mm ² / IEC 61984			
Overvoltage category	III	III	II
Pollution degree	3	2	2
Rated voltage	250 V	630 V	630 V
Rated test voltage	4.0 kV	4.0 kV	4 kV
Insulating material class	CTI 600		
Rated wiring solid wire	0.08 - 2.5 mm ²		
Rated wiring stranded wire	0.08 - 2.5 mm ²		
Rated wiring solid wire	AWG 28 - 12		
Rated wiring stranded wire	AWG 28 - 12		
Clearance and creepage distances	3.5 mm		
Protection category according to IEC 60529	IP 20		
Min. insul. strip length	10 mm		
Color	black		

Dimensional drawing



L = (Pole size - 1) * centerline + 14.8 mm (0.583 in.)

Complete the part number by adding the pole size.

P/N	SP065	<input type="checkbox"/>	VBNF													
				02	03	04	05	06	07	08						
				09	10	11	12	13	14	15	16					
				17	18	19	20	21	22	23	24					

(Information: page 21)

Standard pole sizes



* Approval pending

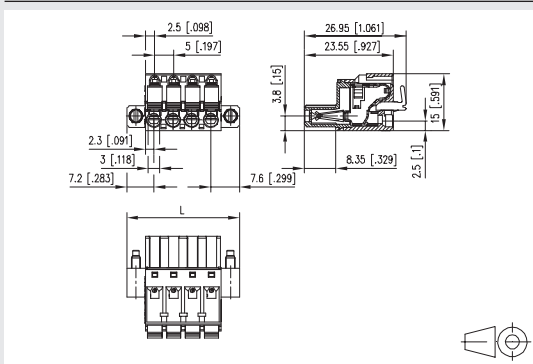
Product family	Pole size	Color	Option
SP065xxVBPF			
Centerline	Design	Function	

- spring clamp terminal block, pluggable
- centerline 5.00 mm, direction of connection vertical 0°
- color black, mounting flange
- finger push-button, wire entry uncodeable side parallel to plug direction

Technical data

V / A / AWG	300 / 12 / 28 - 12		
12 A / 250 V / 4 kV / 3 / 0.08 - 2.5 mm ² / IEC 61984			
Overvoltage category	III	III	II
Pollution degree	3	2	2
Rated voltage	250 V	630 V	630 V
Rated test voltage	4.0 kV	4.0 kV	4 kV
Insulating material class	CTI 600		
Rated wiring solid wire	0.08 - 2.5 mm ²		
Rated wiring stranded wire	0.08 - 2.5 mm ²		
Rated wiring solid wire	AWG 28 - 12		
Rated wiring stranded wire	AWG 28 - 12		
Clearance and creepage distances	3.5 mm		
Protection category according to IEC 60529	IP 20		
Min. insul. strip length	10 mm		
Color	black		

Dimensional drawing



L = (Pole size - 1) * centerline + 14.8 mm (0.583 in.)

Complete the part number by adding the pole size.

P/N	SP065	<input type="checkbox"/>	VBPF													
				02	03	04	05	06	07	08						
				09	10	11	12	13	14	15	16					
				17	18	19	20	21	22	23	24					

(Information: page 21)

Standard pole sizes

Pin Headers

for SP995xxVBNC	Page
PR065xxHBEC (Type 476)	159
PR065xxHBBN (Type 176)	159
PR075xxHBEL (Type 337)	160
PR075xxHBER (Type 338)	161
PT045xxHBBN (Type 030)	162
PT045xxHBVC (Type 031)	162
PT105xxHGDN (Type 280)	163
PT115xxHBEC (Type 329)	164
PT115xxHBBN (Type 330)	164
PT165xxHGDN (Type 276)	165
PR065xxVBEC (Type 477)	169
PR065xxVBBN (Type 177)	169
PT045xxVBBN (Type 020)	171
PT105xxVGDN (Type 278)	173
PT115xxVBEC (Type 319)	173
PT115xxVBBN (Type 320)	174
PT165xxVGDN (Type 274)	175
PT175xxVGDN (Type 270)	175

Accessories

for SP995xxVBNC	Page
700025	298



* Approval pending



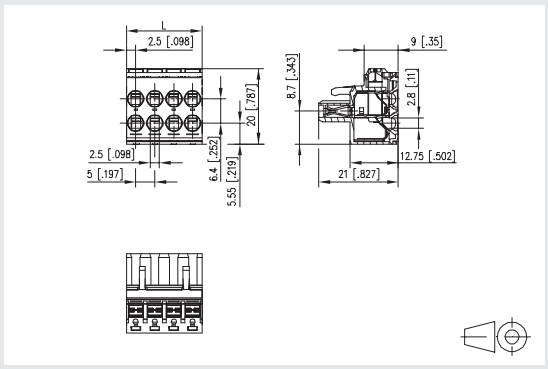
Product family	Pole size	Color	Option
SP995	5	xx	VBNC
Centerline	Design	Function	

- spring clamp terminal block, pluggable
- centerline 5.00 mm, direction of connection vertical 0°
- fittable without loss of poles
- color black
- two connections per pole

Technical data

10.5 A / AWG	250 / 10.5 / 24 - 14
10.5 A / 250 V / 4 kV / 3 / 0.2 - 2.5 mm ² / IEC 61984	
Overvoltage category	III III II
Pollution degree	3 2 2
Rated voltage	250.0 V 630.0 V 630.0 V
Rated test voltage	4.0 kV 4.0 kV 4 kV
Insulating material class	CTI 600
Rated wiring solid wire	0.2 - 2.5 mm ²
Rated wiring stranded wire	0.2 - 2.5 mm ²
Rated wiring solid wire	AWG 24 - 14
Rated wiring stranded wire	AWG 24 - 12
Clearance and creepage distances	3.2 mm
Protection category according to IEC 60529	IP 20
Min. insul. strip length	9 mm
Color	black

Dimensional drawing



L = (Pole size - 1) * centerline + 5 mm (0.197 in.)

P/N

SP995 VBNC

	02	03	04	06	08	

(Information: page 21)

Standard pole sizes

Pin Headers

for SP046xxVBNC	Page
PR066xxHBEC (Type 478)	176
PR066xxHBBN (Type 178)	176
PT106xxHGDN (Type 292)	177
PT116xxHBEC (Type 229)	177
PT116xxHBBN (Type 230)	178
PT166xxHGDN (Type 288)	179
PR066xxVBEC (Type 479)	182
PT106xxVGDN (Type 290)	183
PT116xxVBEC (Type 219)	183
PT116xxVBBN (Type 220)	184
PT166xxVGDN (Type 286)	185

Accessories

for SP046xxVBNC	Page
700025	298

Pin Headers

for SP066xxVBNC	Page
PR066xxHBEC (Type 478)	176
PR066xxVBEC (Type 479)	182
PT116xxVBEC (Type 219)	183
PT116xxVBBN (Type 220)	184

Accessories

for SP066xxVBNC	Page
700025	298



* Approval pending



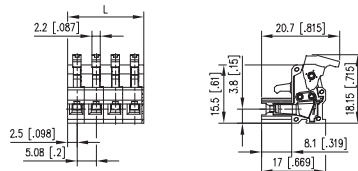
Product family	Pole size	Color	Option
SP046xxVBNC			
Centerline	Design	Function	*old product name

- spring clamp terminal block, pluggable
- centerline 5.08 mm, direction of connection vertical 0°
- fittable without loss of poles
- color black
- eccentric lever, wire entry uncodeable side parallel to plug direction

Technical data

V / A / AWG	300 / 10 / 28 - 16		
10 A / 250 V / 4 kV / 3 / 0.08 - 1 mm ² / IEC 61984			
Overvoltage category	III	III	II
Pollution degree	3	2	2
Rated voltage	250 V	500 V	500 V
Rated test voltage	4.0 kV	4 kV	4.0 kV
Insulating material class	CTI 400		
Rated wiring solid wire	0.08 - 1.5 mm ²		
Rated wiring stranded wire	0.08 - 1.5 mm ²		
Rated wiring solid wire	AWG 28 - 16		
Rated wiring stranded wire	AWG 28 - 16		
Clearance and creepage distances	4 mm		
Protection category according to IEC 60529	IP 20		
Min. insul. strip length	4 mm		
Color	black		

Dimensional drawing



$L = (\text{Pole size} - 1) * \text{centerline} + 5 \text{ mm (0.197 in.)}$

P/N

ASP046

	02	03	04	05	06	07	08
	09	10	11	12	13	14	15
	17	18	19	20	21	22	23
	24						

(Information: page 21)

Standard pole sizes



* Approval pending



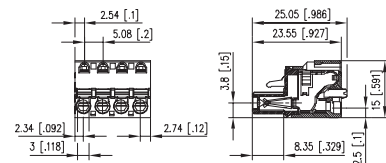
Product family	Pole size	Color	Option
SP066xxVBNC			
Centerline	Design	Function	

- spring clamp terminal block, pluggable
- centerline 5.08 mm, direction of connection vertical 0°
- fittable without loss of poles
- color black
- push-button, wire entry uncodeable side parallel to plug direction

Technical data

V / A / AWG	300 / 12 / 28 - 12		
12 A / 250 V / 4 kV / 3 / 0.08 - 2.5 mm ² / IEC 61984			
Overvoltage category	III	III	II
Pollution degree	3	2	2
Rated voltage	250 V	630 V	630 V
Rated test voltage	4.0 kV	4.0 kV	4 kV
Insulating material class	CTI 600		
Rated wiring solid wire	0.08 - 2.5 mm ²		
Rated wiring stranded wire	0.08 - 2.5 mm ²		
Rated wiring solid wire	AWG 28 - 12		
Rated wiring stranded wire	AWG 28 - 12		
Clearance and creepage distances	3.58 mm		
Protection category according to IEC 60529	IP 20		
Min. insul. strip length	10 mm		
Color	black		

Dimensional drawing



$L = (\text{Pole size} - 1) * \text{centerline} + 5.08 \text{ mm (0.200 in.)}$

P/N

SP066 VBNC

	02	03	04	05	06	07	08
	09	10	11	12	13	14	15
	17	18	19	20	21	22	23
	24						

(Information: page 21)

Standard pole sizes

Pin Headers

for SP066xxVBPC Page

PR066xxHBEC (Type 478) 176

PR066xxVBEC (Type 479) 182

PT116xxVBEC (Type 219) 183

PT116xxVBBN (Type 220) 184

Accessories

for SP066xxVBPC Page
700025 298

Pin Headers

for SP066xxVBNF Page

PT116xxHBBF (Type 236) 178

PR066xxHBBF (Type 398) 181

PR066xxVBBF (Type 399) 181

PT116xxVBBF (Type 235) 184

Accessories

for SP066xxVBNF Page
700025 298



* Approval pending



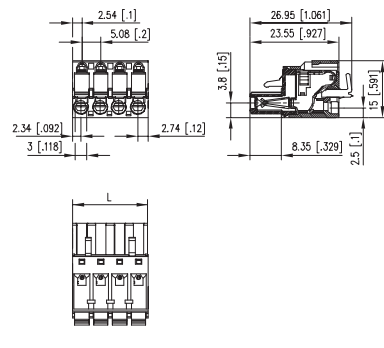
Product family	Pole size	Color	Option
SP066xxVBPC			
Centerline	Design	Function	

- spring clamp terminal block, pluggable
- centerline 5.08 mm, direction of connection vertical 0°
- fittable without loss of poles
- color black
- finger push-button, wire entry uncodeable side parallel to plug direction

Technical data

300 V / A / AWG	300 / 12 / 28 - 12		
12 A / 250 V / 4 kV / 3 / 0.08 - 2.5 mm ² / IEC 61984			
Overvoltage category	III	III	II
Pollution degree	3	2	2
Rated voltage	250 V	630 V	630 V
Rated test voltage	4.0 kV	4.0 kV	4 kV
Insulating material class	CTI 600		
Rated wiring solid wire	0.08 - 2.5 mm ²		
Rated wiring stranded wire	0.08 - 2.5 mm ²		
Rated wiring solid wire	AWG 28 - 12		
Rated wiring stranded wire	AWG 28 - 12		
Clearance and creepage distances	3.58 mm		
Protection category according to IEC 60529	IP 20		
Min. insul. strip length	10 mm		
Color	black		

Dimensional drawing



L = (Pole size - 1) * centerline + 5.08 mm (0.200 in.)

P/N

Complete the part number by adding the pole size.

SP066	<input type="checkbox"/>	VBPC																	
			02	03	04	05	06	07	08										
			09	10	11	12	13	14	15	16									
			17	18	19	20	21	22	23	24									

(Information: page 21)

Standard pole sizes



* Approval pending



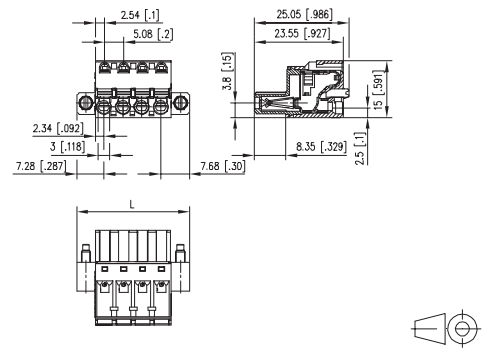
Product family	Pole size	Color	Option
SP066xxVBNF			
Centerline	Design	Function	

- spring clamp terminal block, pluggable
- centerline 5.08 mm, direction of connection vertical 0°
- color black, mounting flange
- push-button, wire entry uncodeable side parallel to plug direction

Technical data

300 V / A / AWG	300 / 12 / 28 - 12		
12 A / 250 V / 4 kV / 3 / 0.08 - 2.5 mm ² / IEC 61984			
Overvoltage category	III	III	II
Pollution degree	3	2	2
Rated voltage	250 V	630 V	630 V
Rated test voltage	4.0 kV	4.0 kV	4 kV
Insulating material class	CTI 600		
Rated wiring solid wire	0.08 - 2.5 mm ²		
Rated wiring stranded wire	0.08 - 2.5 mm ²		
Rated wiring solid wire	AWG 28 - 12		
Rated wiring stranded wire	AWG 28 - 12		
Clearance and creepage distances	3.58 mm		
Protection category according to IEC 60529	IP 20		
Min. insul. strip length	10 mm		
Color	black		

Dimensional drawing



L = (Pole size - 1) * centerline + 14.96 mm (0.589 in.)

P/N

Complete the part number by adding the pole size.

SP066	<input type="checkbox"/>	VBNF																	
			02	03	04	05	06	07	08										
			09	10	11	12	13	14	15	16									
			17	18	19	20	21	22	23	24									

(Information: page 21)

Standard pole sizes

Pin Headers

for SP066xxVBPF	Page
PT116xxHBBF (Type 236)	178
PR066xxHBBF (Type 398)	181
PT116xxVBBF (Type 235)	184

Accessories

for SP066xxVBPF 700025	Page
	298



* Approval pending



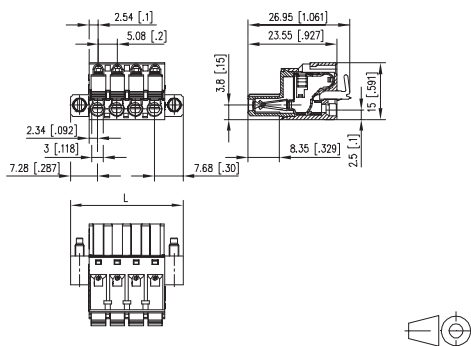
Product family	Pole size	Color	Option
SP066xxVBPF			
Centerline	Design	Function	

- spring clamp terminal block, pluggable
- centerline 5.08 mm, direction of connection vertical 0°
- color black, mounting flange
- finger push-button, wire entry uncodeable side parallel to plug direction

Technical data

us V / A / AWG	300 / 12 / 28 - 12
12 A / 250 V / 4 kV / 3 / 0.08 - 2.5 mm ² / IEC 61984	
Overvoltage category	III III II
Pollution degree	3 2 2
Rated voltage	250 V 630 V 630 V
Rated test voltage	4.0 kV 4.0 kV 4 kV
Insulating material class	CTI 600
Rated wiring solid wire	0.08 - 2.5 mm ²
Rated wiring stranded wire	0.08 - 2.5 mm ²
Rated wiring solid wire	AWG 28 - 12
Rated wiring stranded wire	AWG 28 - 12
Clearance and creepage distances	3.58 mm
Protection category according to IEC 60529	IP 20
Min. insul. strip length	10 mm
Color	black

Dimensional drawing



L = (Pole size - 1) * centerline + 14.96 mm (0.589 in.)

P/N

SP066 VBPF

Complete the part number by adding the pole size.

	02	03	04	05	06	07	08
09	10	11	12	13	14	15	16
17	18	19	20	21	22	23	24

(Information: page 21)

Standard pole sizes

Pin Headers

for SP049xxVBNC Page
 [Icon] PT119xxVBBN (Type 320) 190

Accessories

for SP049xxVBNC Page
 700025 298

Pin Headers

for SP129xxVBNF Page
 [Icon] PT119xxHBBF (Type 336) 189

[Icon] PT119xxVBBF (Type 335) 191

Accessories

for SP129xxVBNF Page
 700025 298



* Approval pending



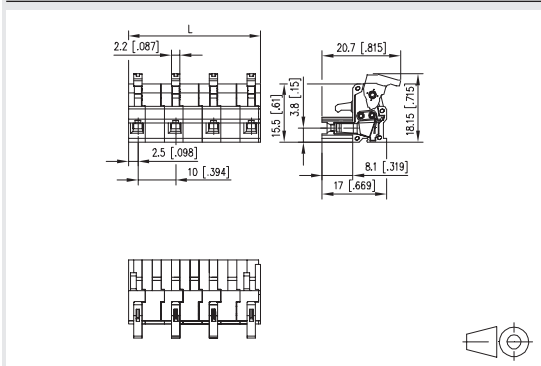
Product family	Pole size	Color	Option
SP049xxVBNC			*(ASP049)
Centerline	Design	Function	*old product name

- spring clamp terminal block, pluggable
- centerline 10.00 mm, direction of connection vertical 0°
- fittable without loss of poles
- color black
- eccentric lever, wire entry uncodeable side parallel to plug direction

Technical data

UL V / A / AWG	300 / 8 / 28 - 16		
SEV	10 A / 630 V / 6 kV / 3 / 0.08 - 1 mm ² / IEC 61984		
Overvoltage category	III	III	II
Pollution degree	3	2	2
Rated voltage	630 V	1250 V	1250 V
Rated test voltage	8.0 kV	8 kV	8.0 kV
Insulating material class	CTI 400		
Rated wiring solid wire	0.08 - 1.5 mm ²		
Rated wiring stranded wire	0.08 - 1 mm ²		
Rated wiring solid wire	AWG 28 - 16		
Rated wiring stranded wire	AWG 28 - 16		
Clearance and creepage distances	9 mm		
Protection category according to IEC 60529	IP 20		
Min. insul. strip length	4 mm		
Color	black		

Dimensional drawing



L = (Pole size - 1) * centerline + 5 mm (0.197 in.)

P/N **ASP049**

Complete the part number by adding the pole size.

	02	03	04	05	06	07	08
09	10	11	12				

(Information: page 21)

Standard pole sizes



* Approval pending



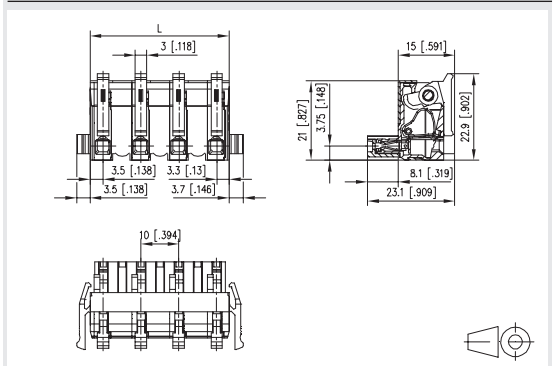
Product family	Pole size	Color	Option
SP129xxVBNF			*(ASP129)
Centerline	Design	Function	*old product name

- spring clamp terminal block, pluggable
- centerline 10.00 mm, direction of connection vertical 0°
- color black, mounting flange
- eccentric lever, wire entry uncodeable side parallel to plug direction

Technical data

UL V / A / AWG	300 / 10 / 28 - 12		
SEV	12 A / 630 V / 4 kV / 3 / 0.08 - 2.5 mm ² / IEC 61984		
Overvoltage category	III	III	II
Pollution degree	3	2	2
Rated voltage	800 V	1600 V	1600 V
Rated test voltage	8.0 kV	8 kV	8.0 kV
Insulating material class	CTI 400		
Rated wiring solid wire	0.08 - 2.5 mm ²		
Rated wiring stranded wire	0.08 - 2.5 mm ²		
Rated wiring solid wire	AWG 28 - 12		
Rated wiring stranded wire	AWG 28 - 12		
Clearance and creepage distances	11 mm		
Protection category according to IEC 60529	IP 20		
Min. insul. strip length	9 mm		
Color	black		

Dimensional drawing



L = (Pole size - 1) * centerline + 6.8 mm (0.268 in.)

P/N **ASP129**





Complete the part number by adding the pole size.

	02	03	04				

(Information: page 21)

Standard pole sizes

Pin Headers

for SP04AxxVBNC	Page
 PT11AxxHBEC (Type 229)	192
 PT11AxxHBBN (Type 230)	192
 PT11AxxVBEC (Type 219)	193
 PT11AxxVBBN (Type 220)	194

Accessories

for SP04AxxVBNC 700025	Page
	298



Product family Pole size Color Option
SP04AxxVBNC *(ASP04A)
Centerline Design Function *old product name

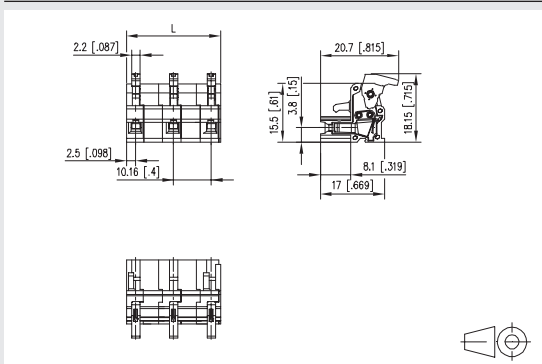
- spring clamp terminal block, pluggable
- centerline 10.16 mm, direction of connection vertical 0°
- fittable without loss of poles
- color black
- eccentric lever, wire entry uncodeable side parallel to plug direction

Technical data

0.08 - 1.5 mm² AWG 28 - 16 / 10 A

Overvoltage category	III	III	II
Pollution degree	3	2	2
Rated voltage	630 V	1250 V	1250 V
Rated test voltage	8.0 kV	8 kV	8.0 kV
Insulating material class	CTI 400		
Rated wiring solid wire	0.08 - 1.5 mm ²		
Rated wiring stranded wire	0.08 - 1.5 mm ²		
Rated wiring solid wire	AWG 28 - 16		
Rated wiring stranded wire	AWG 28 - 16		
Clearance and creepage distances	9.16 mm		
Protection category according to IEC 60529	IP 20		
Min. insul. strip length	4 mm		
Color	black		

Dimensional drawing



L = (Pole size - 1) * centerline + 5 mm (0.197 in.)

P/N

ASP04A

Complete the part number by adding the pole size.

	02	03	04	05	06	07	08
09	10	11	12				

(Information: page 21)

Standard pole sizes



* Approval pending



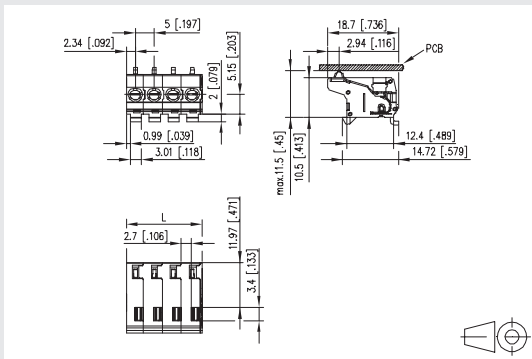
Product family Pole size Color Option
SC305xxHBNN
 Centerline Design Function

- spring clamp terminal block, pluggable
- centerline 5.00 mm, direction of connection vertical 0°
- color black

Technical data

US V / A / AWG	250 / 4 / 28 - 16		
	4 A / 250 V / 4 kV / 3 / 0.08 - 1.5 mm ² / IEC 61984		
Overvoltage category	III	III	II
Pollution degree	3	2	2
Rated voltage	250 V	630 V	630 V
Rated test voltage	4.0 kV	4.0 kV	4 kV
Insulating material class	CTI 600		
Rated wiring solid wire	0.08 - 1.5 mm ²		
Rated wiring stranded wire	0.08 - 1.5 mm ²		
Rated wiring solid wire	AWG 28 - 16		
Rated wiring stranded wire	AWG 28 - 16		
Clearance and creepage distances	3.2 mm		
Protection category according to IEC 60529	IP 20		
Min. insul. strip length	7.5 mm		
Color	black		

Dimensional drawing



L = (Pole size - 1) * centerline + 5 mm (0.197 in.)

P/N

SC305 HBNN

	02	03	04	05	06	07	08
09	10	11	12				

(Information: page 21)

Standard pole sizes



* Approval pending



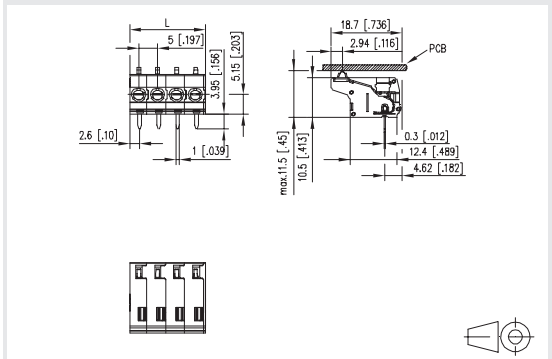
Product family Pole size Color Option
SL305xxHBNN
 Centerline Design Function

- spring clamp terminal block, solderable
- centerline 5.00 mm, direction of connection vertical 0°
- color black

Technical data

US V / A / AWG	250 / 4 / 28 - 16		
	0.08 - 1.5 mm ² 250 V / 4 kV / 4 A		
Overvoltage category	III	III	II
Pollution degree	3	2	2
Rated voltage	250 V	630 V	630 V
Rated test voltage	4.0 kV	4.0 kV	4 kV
Insulating material class	CTI 600		
Rated wiring solid wire	0.08 - 1.5 mm ²		
Rated wiring stranded wire	0.08 - 1.5 mm ²		
Rated wiring solid wire	AWG 28 - 16		
Rated wiring stranded wire	AWG 28 - 16		
Clearance and creepage distances	3.2 mm		
Solder pin dimension	1.0 x 0.3 mm		
Recommended pc board hole dia.	ø 1.2 mm		
Solder pin length	3.95 mm		
Protection category according to IEC 60529	IP 20		
Min. insul. strip length	7.5 mm		
Color	black		

Dimensional drawing



L = (Pole size - 1) * centerline + 5 mm (0.197 in.)

P/N

SL305 HBNN

	02	03	04	05	06	07	08
09	10	11	12				

(Information: page 21)

Standard pole sizes



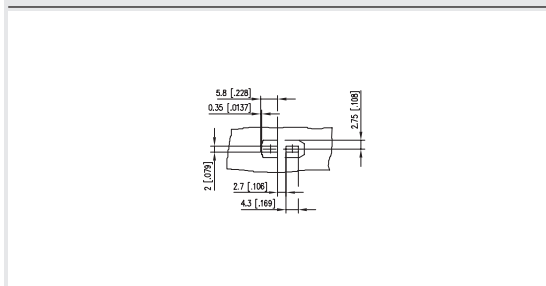
SM99S

- spring clamp terminal block, SMT solderable
- direction of connection 90°
- fittable without loss of poles
- color black
- Tape & Reel packaging
- finger push-button
- test point and wire connection indicator
- Variants: black, creme white, yellow, green, red, blue

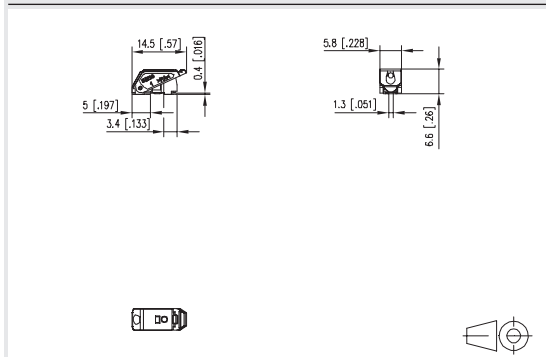
Technical data

A / AWG	9 / 24 - 16
0.2 - 0.75 mm ²	9 A
Rated wiring solid wire	0.2 - 1.5 mm ²
Rated wiring stranded wire	0.2 - 1.5 mm ²
Rated wiring solid wire	AWG 24 - 16
Rated wiring stranded wire	AWG 24 - 16
Protection category according to IEC 60529	IP 20
Min. insul. strip length	7 mm
Color	black

Drill pattern



Dimensional drawing



P/N	Color	Feature 1	Feature 2	EAN
SM99S01VBNN00G7	black			4250184193647
SM99S01VBNN01G7	white			4250184193654
SM99S01VBNN02G7	yellow			4250184193661
SM99S01VBNN03G7	green			4250184193722
SM99S01VBNN04G7	red			4250184193678
SM99S01VBNN05G7	blue			4250184193715



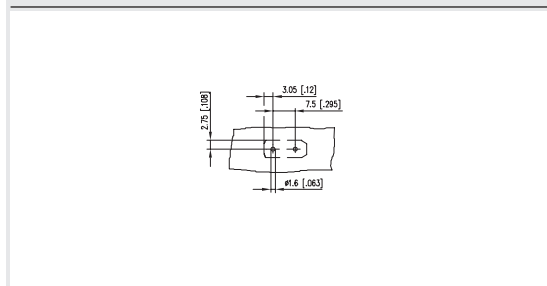
SR99S

- spring clamp terminal block, THR solderable, double solder pins
- direction of connection 90°
- fittable without loss of poles
- color black
- Tape & Reel packaging
- finger push-button
- test point and wire connection indicator
- Variants: black, creme white, yellow, green, red, blue

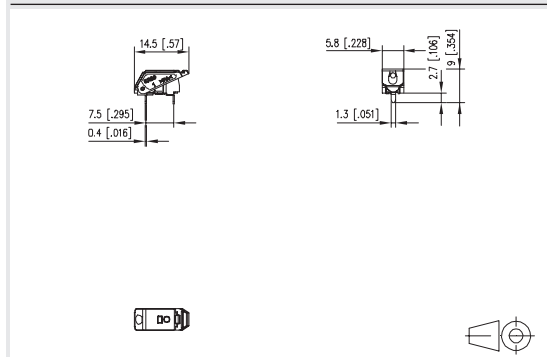
Technical data

A / AWG	9 / 24 - 16
0.2 - 0.75 mm ²	9 A
Rated wiring solid wire	0.2 - 1.5 mm ²
Rated wiring stranded wire	0.2 - 1.5 mm ²
Rated wiring solid wire	AWG 24 - 16
Rated wiring stranded wire	AWG 24 - 16
Solder pin dimension	2 x 1.3 x 0.4 mm
Recommended pc board hole dia.	ø 1.6 mm
Solder pin length	2.4 mm
Protection category according to IEC 60529	IP 20
Min. insul. strip length	7 mm
Color	black

Drill pattern



Dimensional drawing



P/N	Color	Feature 1	Feature 2	EAN
SR99S01VBNN00G7	black			4250184193692
SR99S01VBNN01G7	white			4250184193739
SR99S01VBNN02G7	yellow			4250184193746
SR99S01VBNN03G7	green			4250184193708
SR99S01VBNN04G7	red			4250184193753
SR99S01VBNN05G7	blue			4250184193760



SM01W

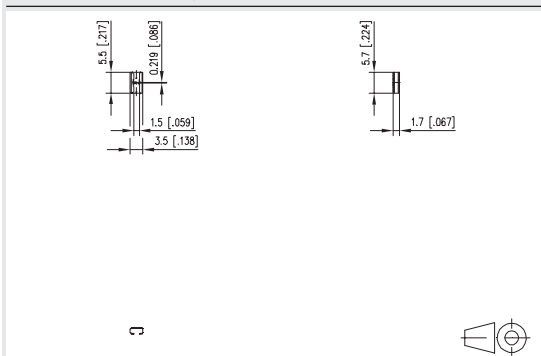
- spring clamp terminal block, SMT solderable
- direction of connection vertical 0°
- Tape & Reel packaging
- Variants: 7" Reel, 13" Reel, 15" Reel, each variant for mounting soldering side or mounting component side

Technical data

0.1 - 0.75 mm² AWG 26 - 18 / 13 A

Overvoltage category	III	III	II
Pollution degree	3	2	2
Rated voltage	630 V	1600 V	1600 V
Rated test voltage	6 kV	8 kV	6 kV
Rated wiring solid wire	0.1 - 0.75 mm ²		
Rated wiring solid wire	AWG 26 - 18		
Protection category according to IEC 60529	IP 00		
Min. insul. strip length	4 mm		

Dimensional drawing



P/N	Color	Feature 1	Feature 2	EAN
ASM01W0164-0G16		15" Reel	Mounting soldering side	4250184183945
ASM01W0164-1G16		15" Reel	Mounting component side	4250184183952
ASM01W0164-2G16		7" Reel	Mounting soldering side	4250184183969
ASM01W0164-3G16		7" Reel	Mounting component side	4250184183976
ASM01W0164-4G16		13" Reel	Mounting soldering side	4250184183983
ASM01W0164-5G16		13" Reel	Mounting component side	4250184183990



SM01Y

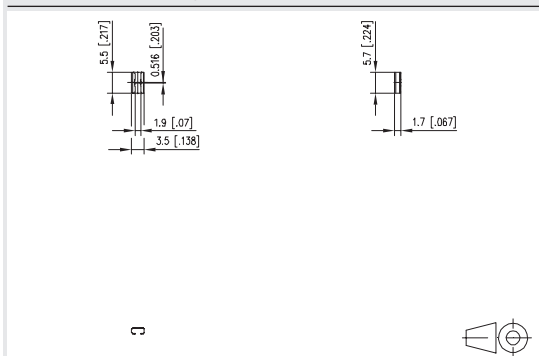
- spring clamp terminal block, SMT solderable
- direction of connection vertical 0°
- Tape & Reel packaging
- Variants: 7" Reel, 13" Reel, 15" Reel, each variant for mounting soldering side or mounting component side

Technical data

0.75 - 1.5 mm² AWG 18 - 16 / 13 A

Overvoltage category	III	III	II
Pollution degree	3	2	2
Rated voltage	630 V	1600 V	1600 V
Rated test voltage	6 kV	8 kV	6 kV
Rated wiring solid wire	0.75 - 1.5 mm ²		
Rated wiring solid wire	AWG 18 - 16		
Protection category according to IEC 60529	IP 00		
Min. insul. strip length	4 mm		

Dimensional drawing



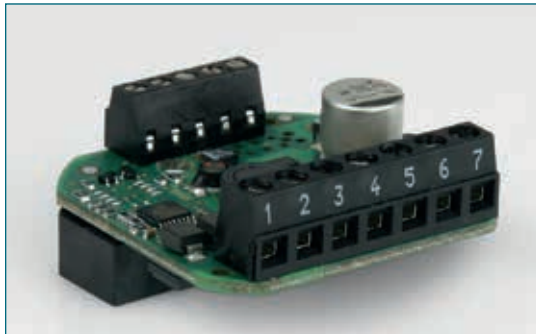
P/N	Color	Feature 1	Feature 2	EAN
ASM01Y0164-0G16		15" Reel	Mounting soldering side	4250184184027
ASM01Y0164-1G16		15" Reel	Mounting component side	4250184184034
ASM01Y0164-2G16		7" Reel	Mounting soldering side	4250184184041
ASM01Y0164-3G16		7" Reel	Mounting component side	4250184184058
ASM01Y0164-4G16		13" Reel	Mounting soldering side	4250184184065
ASM01Y0164-5G16		13" Reel	Mounting component side	4250184184072

Screw-type terminal blocks

Design specification

Terminal body

The terminal bodies consist of a copper wrought alloy. The surface is galvanically nickel-plated. With the types with soldering pin, the surface is given a galvanic nickel base and tin-plated to generate high corrosion resistance and superb soldering ability. All terminal bodies are installed in the insulation housing to ensure that they cannot be lost.



Terminal screws

The terminal screws in M2–M4 can optionally be produced in different materials. The screws are rounded at the pressure areas, meaning that it is possible to connect the conductor without wire protection. Usually the screws are secured against unwanted loosening themselves.

Contact systems for the METZ CONNECT plug system

a) Lamella contacts

The lamella contacts are silver plated, optionally tinned or gold-plated and are suitable for rounded pins. The lamella-like design of the contact bars means that currents of up to 10 A can be transferred. Even after the 100th plugging, the transfer resistance between the jack contact and the pin header is $\leq 5 \text{ m}\Omega$.

b) Plug system with integrated contact

The tulip-shaped plug system is made of bronze and is suited for both round and square pins.

Wire protector

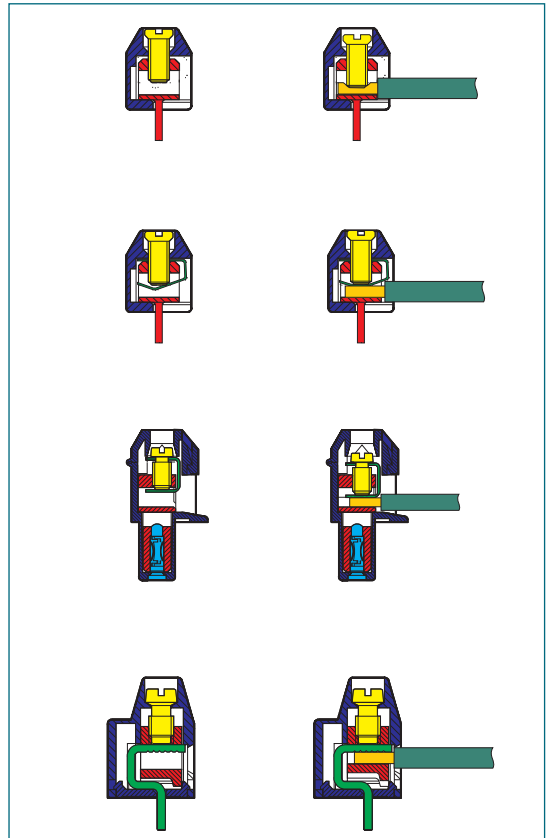
The wire protector prevents damage to the conductors during terminal connection.

Rising wire protector

Some types are equipped with a rising wire protector that works according to the principle of the lift system. When the screw is turned, the wire protector lifts parallel to the base of the terminal body.

Lift system

Through the lift effect of the terminal body, the conductor is clamped over a large area and in parallel. A damage to the conductor by the screw is entirely eliminated here too.



Screw-type terminal blocks

Printing options

We offer individual printing of your terminal blocks. Figures or symbols, left- or right flush, legible or standing on their head depending on the technical feasibility. Ink-jet print, pad printing and hot stamping are available as methods. Design your individual terminal block with us.

Color options

You can order the terminal blocks in a variety of basic colors. This is for instance helpful in housing integration to achieve an optically attractive overall picture or to use this as a further coding option. We would be pleased to advise you on the possible colors.

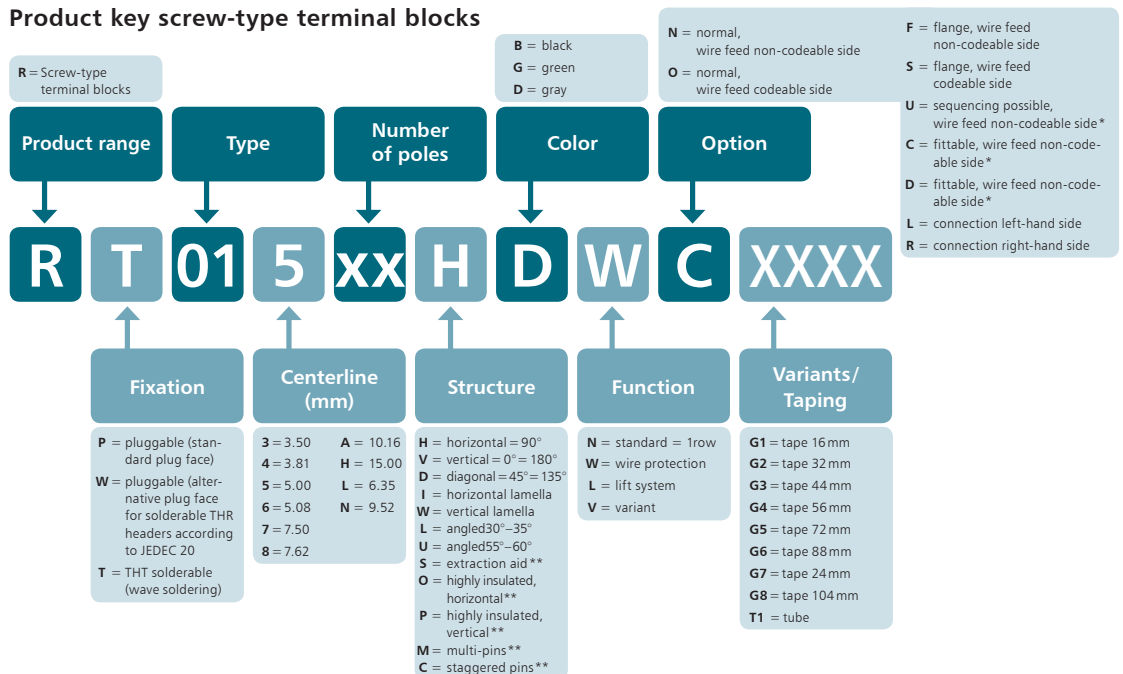


Torques – Extract from DIN EN 60947-1 and DIN EN 60999-1

Start-up torque for documenting the mechanical rigidity of screw connections.

Metric standard value	Thread diameter (mm)		Tightening torque (Nm)	
	Diameter range		Test moment	Recommended
2.5	≤	2.8	0.4	0.4–0.6
3.0	>	2.8 up to 3.0	0.5	0.5–0.7
–	>	3.0 up to 3.2	0.6	0.6–0.8
3.5	>	3.2 up to 3.6	0.8	0.8–1.0
4	>	3.6 up to 4.1	1.2	1.2–1.6






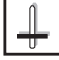




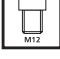















Product key screw-type terminal blocks

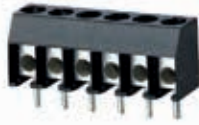


* Sequencing possible means the mechanical sequencing without loss of poles (by dovetails). Fittable stands for a loose sequencing without loss of poles (without dovetails).
** Only applicable if two variants are available.

Symbol Definition

Guiding icons

	Spring clamp terminal block		Wire protector
	IDC terminal block		modular
	Screw type terminal block		Pin header for vertical mounting
	Pin header		Shrouded pin header for vertical mounting
	Female connector		Pin header with open ends for vertical mounting
	Ethernet M12		Pin header with closed ends for vertical mounting
	solderable		Pin header for horizontal mounting
	pluggable		Shrouded pin header for horizontal mounting
	Centerline		Pin header with open ends for horizontal mounting
	Wire entry 90°		Pin header with closed ends for horizontal mounting
	Diagonal wire entry		designed for THR
	Wire entry 0°		designed for SMT
	Lift system		Tape & Reel possible



Product family Pole size Color Option
RT063xxHBNC *(Type 060)
Centerline Design Function *old product name

- screw type terminal block, solderable
- centerline 3.50 mm, direction of connection 90°
- fittable without loss of poles
- color black

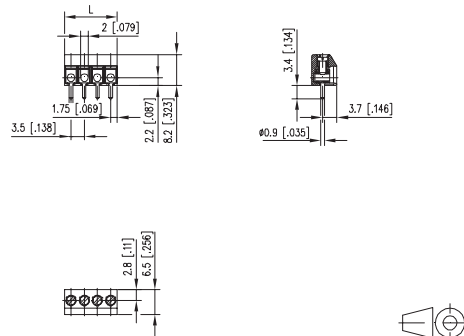
Technical data

UL 125 V / A / AWG 125 / 15 / 20 - 14

SEV 1 mm² 125 V / 13.5 A / T60

Overvoltage category	III	III	II
Pollution degree	3	2	2
Rated voltage	160 V	400 V	400 V
Rated test voltage	2.5 kV	2.5 kV	2.5 kV
Insulating material class	CTI 600		
Rated wiring solid wire	0.08 - 2.0 mm ²		
Rated wiring stranded wire	0.08 - 2.0 mm ²		
Rated wiring solid wire	AWG 28 - 14		
Rated wiring stranded wire	AWG 28 - 14		
Clearance and creepage distances	2.1 mm		
Solder pin dimension	0.9 mm		
Recommended pc board hole dia.	ø 1.2 mm		
Solder pin length	3.4 mm		
Protection category according to IEC 60529	IP 00		
Min. insul. strip length	5 mm		
Color	black		

Dimensional drawing



L = (Pole size - 1) * centerline + 3.5 mm (0.138 in.)

P/N

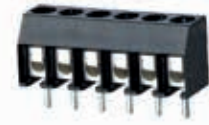
310601

Complete the part number by adding the pole size.

	02	03	04	05	06	07	08
09	10	11	12	13	14	15	16

(Information: page 67)

Standard pole sizes



Product family Pole size Color Option
RT063xxHBWC *(Type 059)
Centerline Design Function *old product name

- screw type terminal block, solderable
- centerline 3.50 mm, direction of connection 90°
- wire protector, fittable without loss of poles
- color black

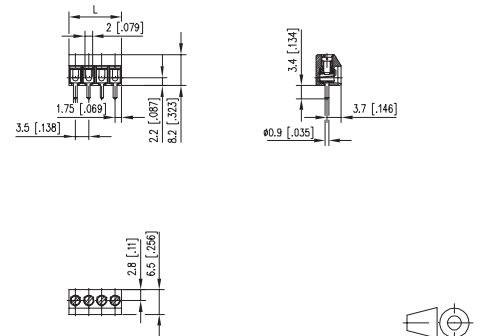
Technical data

UL 150 V / A / AWG 150 / 10 / 28 - 16

SEV 1 mm² 125 V / 13.5 A / T60

Overvoltage category	III	III	II
Pollution degree	3	2	2
Rated voltage	160 V	400 V	400 V
Rated test voltage	2.5 kV	2.5 kV	2.5 kV
Insulating material class	CTI 600		
Rated wiring solid wire	0.33 - 1.5 mm ²		
Rated wiring stranded wire	0.33 - 0.75 mm ²		
Rated wiring solid wire	AWG 22 - 16		
Rated wiring stranded wire	AWG 22 - 18		
Clearance and creepage distances	2.1 mm		
Solder pin dimension	0.9 mm		
Recommended pc board hole dia.	ø 1.2 mm		
Solder pin length	3.4 mm		
Protection category according to IEC 60529	IP 20		
Min. insul. strip length	5 mm		
Color	black		

Dimensional drawing



L = (Pole size - 1) * centerline + 3.5 mm (0.138 in.)

P/N

310591

Complete the part number by adding the pole size.

	02	03	04	05	06	07	08
09	10	11	12	13	14	15	16

(Information: page 67)

Standard pole sizes



Product family Pole size Color Option
RT063xxOBWC *(Type 459)
 Centerline Design Function *old product name

- screw type terminal block, solderable
- centerline 3.50 mm, direction of connection 90°
- wire protector, fittable without loss of poles
- color black
- insulating proof

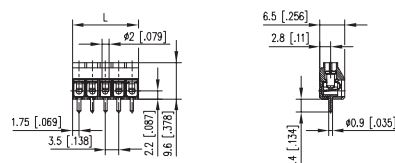
Technical data

cULus V / A / AWG 300 / 7 / 28 - 16

SEV 1.5 mm² 125 V / 13.5 A / T60

Overvoltage category	III	III	II
Pollution degree	3	2	2
Rated voltage	200 V	500 V	500 V
Rated test voltage	2.5 kV	2.5 kV	2.5 kV
Insulating material class	CTI 600		
Rated wiring solid wire	0.33 - 1.5 mm ²		
Rated wiring stranded wire	0.33 - 0.75 mm ²		
Rated wiring solid wire	AWG 22 - 16		
Rated wiring stranded wire	AWG 22 - 18		
Clearance and creepage distances	2.6 mm		
Solder pin dimension	0.9 mm		
Recommended pc board hole dia.	ø 1.2 mm		
Solder pin length	3.4 mm		
Protection category according to IEC 60529	IP 00		
Min. insul. strip length	5 mm		
Color	black		

Dimensional drawing



L = (Pole size - 1) * centerline + 3.5 mm (0.138 in.)

P/N

314591

Complete the part number by adding the pole size.

	02	03	04	05	06	07	08
09	10	11	12	13	14	15	16

(Information: page 67)

Standard pole sizes



* Approval pending



Product family Pole size Color Option
RT063xxPBWC *(Type 461)
 Centerline Design Function *old product name

- screw type terminal block, solderable
- centerline 3.50 mm, direction of connection vertical 0°
- wire protector, fittable without loss of poles
- color black
- insulating proof

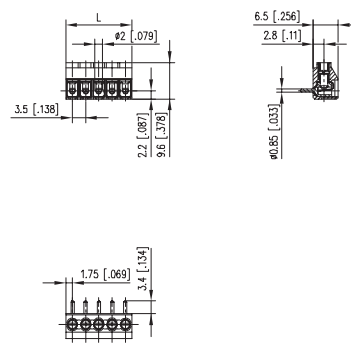
Technical data

cULus* V / A / AWG 130 / 10 / 20 - 16

SEV 1.5 mm² 125 V / 13.5 A / T60

Overvoltage category	III	III	II
Pollution degree	3	2	2
Rated voltage	200 V	500 V	500 V
Rated test voltage	2.5 kV	2.5 kV	2.5 kV
Insulating material class	CTI 600		
Rated wiring solid wire	0.33 - 1.5 mm ²		
Rated wiring stranded wire	0.5 - 2.0 mm ²		
Rated wiring solid wire	AWG 22 - 16		
Rated wiring stranded wire	AWG 20 - 14		
Clearance and creepage distances	2.65 mm		
Solder pin dimension	0.9 mm		
Recommended pc board hole dia.	ø 1.2 mm		
Solder pin length	3.4 mm		
Protection category according to IEC 60529	IP 00		
Min. insul. strip length	5 mm		
Color	black		

Dimensional drawing



L = (Pole size - 1) * centerline + 3.5 mm (0.138 in.)

P/N

314611

Complete the part number by adding the pole size.

	02	03	04	05	06	07	08
09	10	11	12	13	14	15	16

(Information: page 67)

Standard pole sizes



Product family Pole size Color Option
RT033xxHBLU*(Type 359)
Centerline Design Function *old product name

- screw type terminal block, solderable
- centerline 3.50 mm, direction of connection 90°
- lift system, modular
- color black
- Tape & Reel packaging
- Max. recommended number of poles: 16

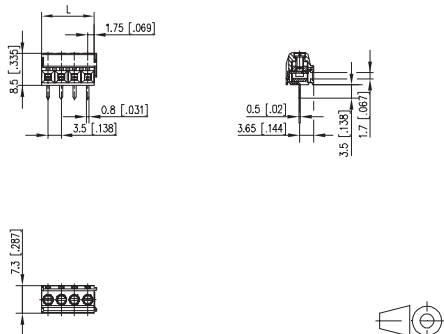
Technical data

UL 150 V / A / AWG 150 / 10 / 28 - 16

SEV 1.0 mm² 130 V / 12 A / T60

Overvoltage category	III	III	II
Pollution degree	3	2	2
Rated voltage	80 V	320 V	320 V
Rated test voltage	2.5 kV	2.5 kV	2.5 kV
Insulating material class	CTI 600		
Rated wiring solid wire	0.2 - 1.5 mm ²		
Rated wiring stranded wire	0.2 - 1.5 mm ²		
Rated wiring solid wire	AWG 26 - 16		
Rated wiring stranded wire	AWG 26 - 16		
Clearance and creepage distances	1.7 mm		
Solder pin dimension	0.5 x 0.9 mm		
Recommended pc board hole dia.	ø 1.1 mm		
Solder pin length	3.5 mm		
Protection category according to IEC 60529	IP 00		
Min. insul. strip length	5 mm		
Color	black		

Dimensional drawing



L = (Pole size - 1) * centerline + 3.5 mm (0.138 in.)

P/N

313591

Complete the part number by adding the pole size.

	02	03	04				

(Information: page 67)

Standard pole sizes



Product family Pole size Color Option
RT083xxDBWC*(Type 105)
Centerline Design Function *old product name

- screw type terminal block, solderable
- centerline 3.50 mm, direction of connection 45°
- wire protector, fittable without loss of poles
- color black

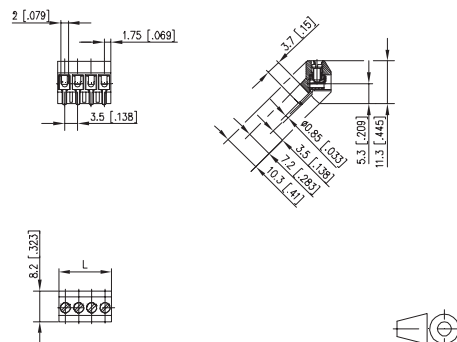
Technical data

UL 300 V / A / AWG 300 / 10 / 28 - 16

SEV 1.0 mm² 130 V / 13.5 A / T60

Overvoltage category	III	III	II
Pollution degree	3	2	2
Rated voltage	160 V	400 V	400 V
Rated test voltage	2.5 kV	2.5 kV	2.5 kV
Insulating material class	CTI 600		
Rated wiring solid wire	0.34 - 1.0 mm ²		
Rated wiring stranded wire	0.34 - 1.0 mm ²		
Rated wiring solid wire	AWG 22 - 18		
Rated wiring stranded wire	AWG 22 - 18		
Clearance and creepage distances	2.1 mm		
Solder pin dimension	0.9 mm		
Recommended pc board hole dia.	ø 1.2 mm		
Solder pin length	3.7 mm		
Protection category according to IEC 60529	IP 20		
Min. insul. strip length	5 mm		
Color	black		

Dimensional drawing



L = (Pole size - 1) * centerline + 3.5 mm (0.138 in.)

P/N

311051

Complete the part number by adding the pole size.

	02	03	04	05	06	07	08
	09	10	11	12	13	14	15

(Information: page 67)

Standard pole sizes



Product family Pole size Color Option
RT043xxLBLC *(Type 305)
Centerline Design Function *old product name

- screw type terminal block, solderable
- centerline 3.50 mm, direction of connection 35°
- lift system, fittable without loss of poles
- color black

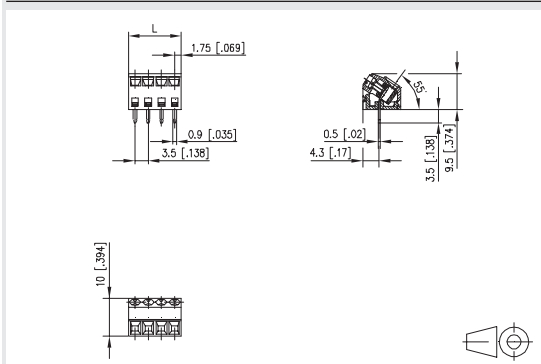
Technical data

UL us V / A / AWG 300 / 10 / 28 - 16

SEV 1.0 mm² 130 V / 13.5 A / T60

Overvoltage category	III	III	II
Pollution degree	3	2	2
Rated voltage	200 V	500 V	500 V
Rated test voltage	2.5 kV	2.5 kV	2.5 kV
Insulating material class	CTI 600		
Rated wiring solid wire	0.34 - 1.5 mm ²		
Rated wiring stranded wire	0.34 - 1.5 mm ²		
Rated wiring solid wire	AWG 22 - 16		
Rated wiring stranded wire	AWG 22 - 16		
Clearance and creepage distances	2.6 mm		
Solder pin dimension	0.5 x 0.9 mm		
Recommended pc board hole dia.	ø 1.1 mm		
Solder pin length	3.5 mm		
Protection category according to IEC 60529	IP 20		
Min. insul. strip length	5 mm		
Color	black		

Dimensional drawing



L = (Pole size - 1) * centerline + 3.5 mm (0.138 in.)

P/N

313051

Complete the part number by adding the pole size.

	02	03	04	05	06	07	08
09	10	11	12	13	14	15	16
17	18	19	20	21	22	23	24

(Information: page 67)

Standard pole sizes



Product family Pole size Color Option
RT063xxVBWC *(Type 061)
Centerline Design Function *old product name

- screw type terminal block, solderable
- centerline 3.50 mm, direction of connection vertical 0°
- wire protector, fittable without loss of poles
- color black

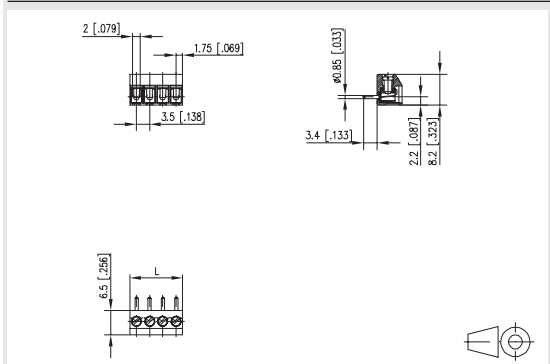
Technical data

UL us V / A / AWG 150 / 10 / 28 - 16

SEV 1.0 mm² 125 V / 13.5 A / T60

Overvoltage category	III	III	II
Pollution degree	3	2	2
Rated voltage	160 V	400 V	400 V
Rated test voltage	2.5 kV	2.5 kV	2.5 kV
Insulating material class	CTI 600		
Rated wiring solid wire	0.33 - 1.5 mm ²		
Rated wiring stranded wire	0.5 - 2.0 mm ²		
Rated wiring solid wire	AWG 22 - 16		
Rated wiring stranded wire	AWG 20 - 14		
Clearance and creepage distances	2.1 mm		
Solder pin dimension	0.9 mm		
Recommended pc board hole dia.	ø 1.2 mm		
Solder pin length	3.4 mm		
Protection category according to IEC 60529	IP 00		
Min. insul. strip length	5 mm		
Color	black		

Dimensional drawing



L = (Pole size - 1) * centerline + 3.5 mm (0.138 in.)

P/N

310611

Complete the part number by adding the pole size.

	02	03	04	05	06	07	08
09	10	11	12	13	14	15	16

(Information: page 67)

Standard pole sizes



Product family Pole size Color Option
RT033xxVBLU* (Type 361)
Centerline Design Function *old product name

- screw type terminal block, solderable
- centerline 3.50 mm, direction of connection vertical 0°
- lift system, modular
- color black
- Max. recommended number of poles: 16

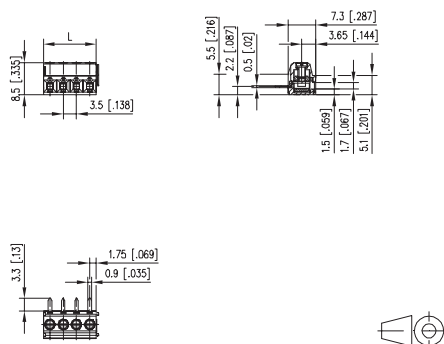
Technical data

150 V / A / AWG 150 / 10 / 28 - 16

1.0 mm² 130 V / 12 A / T60

Overvoltage category	III	III	II
Pollution degree	3	2	2
Rated voltage	80 V	320 V	320 V
Rated test voltage	2.5 kV	2.5 kV	2.5 kV
Insulating material class	CTI 600		
Rated wiring solid wire	0.2 - 1.5 mm ²		
Rated wiring stranded wire	0.2 - 1.5 mm ²		
Rated wiring solid wire	AWG 26 - 16		
Rated wiring stranded wire	AWG 26 - 16		
Clearance and creepage distances	1.7 mm		
Solder pin dimension	0.5 x 0.9 mm		
Recommended pc board hole dia.	ø 1.1 mm		
Solder pin length	3.3 mm		
Protection category according to IEC 60529	IP 20		
Min. insul. strip length	5 mm		
Color	black		

Dimensional drawing



L = (Pole size - 1) * centerline + 3.5 mm (0.138 in.)

P/N

313611

Complete the part number by adding the pole size.

<input type="text"/>	02	03	04	<input type="text"/>	<input type="text"/>	<input type="text"/>	<input type="text"/>
<input type="text"/>	<input type="text"/>	<input type="text"/>	<input type="text"/>	<input type="text"/>	<input type="text"/>	<input type="text"/>	<input type="text"/>

(Information: page 67)

Standard pole sizes



Product family Pole size Color Option
RT034xxHBL C *(Type 086)
Centerline Design Function *old product name

- screw type terminal block, solderable
- centerline 3.81 mm, direction of connection 90°
- lift system, fittable without loss of poles
- color black

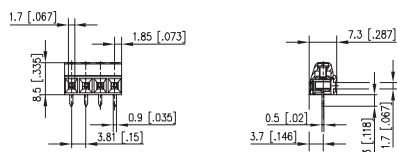
Technical data

150 V / A / AWG 150 / 10 / 28 - 18

1.0 mm² 130 V / 13.5 A / T60

Overvoltage category	III	III	II
Pollution degree	3	2	2
Rated voltage	160 V	400 V	400 V
Rated test voltage	2.5 kV	2.5 kV	2.5 kV
Insulating material class	CTI 600		
Rated wiring solid wire	0.2 - 1.5 mm ²		
Rated wiring stranded wire	0.2 - 1 mm ²		
Rated wiring solid wire	AWG 28 - 16		
Rated wiring stranded wire	AWG 28 - 18		
Clearance and creepage distances	2 mm		
Solder pin dimension	0.5 x 0.9 mm		
Recommended pc board hole dia.	ø 1.1 mm		
Solder pin length	3.5 mm		
Protection category according to IEC 60529	IP 00		
Min. insul. strip length	5 mm		
Color	black		

Dimensional drawing



L = (Pole size - 1) * centerline + 3.7 mm (0.146 in.)

P/N

310861

Complete the part number by adding the pole size.

	02	03	04	05	06	07	08
09	10	11	12	13	14	15	16
17	18	19	20	21	22	23	24

(Information: page 67)

Standard pole sizes



Product family Pole size Color Option
RT015xxHDWC *(Type 001)
Centerline Design Function *old product name

- screw type terminal block, solderable
- centerline 5.00 mm, direction of connection 90°
- wire protector, fittable without loss of poles
- color gray

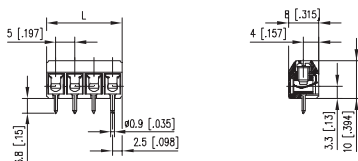
Technical data

UL us V / A / AWG 300 / 15 / 22 - 14

SEV 1.5 mm² 130 V / 17.5 A / T60

Overvoltage category	III	III	II
Pollution degree	3	2	2
Rated voltage	200 V	500 V	500 V
Rated test voltage	2.5 kV	2.5 kV	2.5 kV
Insulating material class	CTI 600		
Rated wiring solid wire	0.34 - 2 mm ²		
Rated wiring stranded wire	0.34 - 2 mm ²		
Rated wiring solid wire	AWG 22 - 14		
Rated wiring stranded wire	AWG 22 - 14		
Clearance and creepage distances	2.6 mm		
Solder pin dimension	0.9 mm		
Recommended pc board hole dia.	ø 1.3 mm		
Solder pin length	3.8 mm		
Protection category according to IEC 60529	IP 10		
Min. insul. strip length	6 mm		
Color	gray		

Dimensional drawing



L = (Pole size - 1) * centerline + 5 mm (0.197 in.)

P/N

310011

Complete the part number by adding the pole size.

	02	03	04	05	06	07	08
09	10	11	12	13	14	15	16
17	18	19	20	21	22		

(Information: page 67)

Standard pole sizes



Product family Pole size Color Option
RT015xxHDWU *(Type 055)
Centerline Design Function *old product name

- screw type terminal block, solderable
- centerline 5.00 mm, direction of connection 90°
- wire protector, modular
- color gray

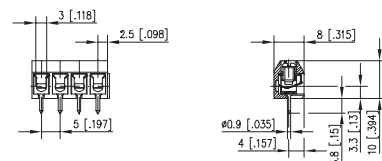
Technical data

UL us V / A / AWG 300 / 15 / 22 - 14

SEV 1.5 mm² 130 V / 13 A / T60

Overvoltage category	III	III	II
Pollution degree	3	2	2
Rated voltage	200 V	500 V	500 V
Rated test voltage	2.5 kV	2.5 kV	2.5 kV
Insulating material class	CTI 600		
Rated wiring solid wire	0.34 - 2.0 mm ²		
Rated wiring stranded wire	0.34 - 2.0 mm ²		
Rated wiring solid wire	AWG 22 - 14		
Rated wiring stranded wire	AWG 22 - 14		
Clearance and creepage distances	2.6 mm		
Solder pin dimension	0.9 mm		
Recommended pc board hole dia.	ø 1.3 mm		
Solder pin length	3.8 mm		
Protection category according to IEC 60529	IP 10		
Min. insul. strip length	6 mm		
Color	gray		

Dimensional drawing



L = (Pole size - 1) * centerline + 5 mm (0.197 in.)

P/N

310551

Complete the part number by adding the pole size.

	02	03	04				

(Information: page 67)

Standard pole sizes



Product family Pole size Color Option
RT135xxHBWC *(Type 271)
 Centerline Design Function *old product name

- screw type terminal block, solderable
- centerline 5.00 mm, direction of connection 90°
- wire protector, fittable without loss of poles
- color black

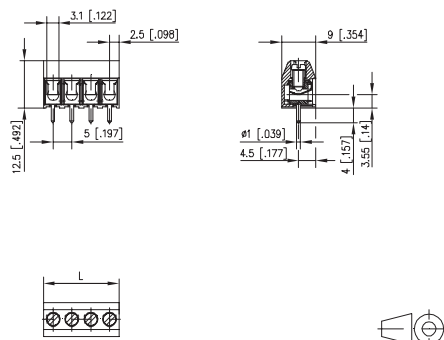
Technical data

300 V / A / AWG 300 / 15 / 26 - 14

2.5 mm² 250 V / 24 A / T60

Overvoltage category	III	III	II
Pollution degree	3	2	2
Rated voltage	250 V	630 V	630 V
Rated test voltage	4.0 kV	4.0 kV	4 kV
Insulating material class	CTI 600		
Rated wiring solid wire	0.08 - 4 mm ²		
Rated wiring stranded wire	0.08 - 2.5 mm ²		
Rated wiring solid wire	AWG 26 - 14		
Rated wiring stranded wire	AWG 26 - 14		
Clearance and creepage distances	3.3 mm		
Solder pin dimension	1.0 mm		
Recommended pc board hole dia.	ø 1.3 mm		
Solder pin length	4 mm		
Protection category according to IEC 60529	IP 20		
Min. insul. strip length	8 mm		
Color	black		

Dimensional drawing



L = (Pole size - 1) * centerline + 5 mm (0.197 in.)

P/N

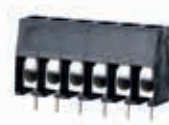
312711

Complete the part number by adding the pole size.

	02	03	04	05	06	07	08
09	10	11	12	13	14	15	16
17	18	19	20	21	22	23	24

(Information: page 67)

Standard pole sizes



Product family Pole size Color Option
RT045xxHBWC *(Type 003)
 Centerline Design Function *old product name

- screw type terminal block, solderable
- centerline 5.00 mm, direction of connection 90°
- wire protector, fittable without loss of poles
- color black

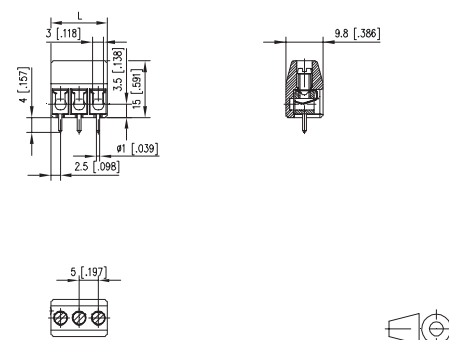
Technical data

300 V / A / AWG 300 / 20 / 22 - 12

2.5 mm² 250 V / 24 A / T60

Overvoltage category	III	III	II
Pollution degree	3	2	2
Rated voltage	250 V	630 V	630 V
Rated test voltage	4.0 kV	4.0 kV	4 kV
Insulating material class	CTI 600		
Rated wiring solid wire	0.34 - 2.5 mm ²		
Rated wiring stranded wire	0.34 - 2.5 mm ²		
Rated wiring solid wire	AWG 22 - 12		
Rated wiring stranded wire	AWG 22 - 12		
Clearance and creepage distances	3.9 mm		
Solder pin dimension	1.0 mm		
Recommended pc board hole dia.	ø 1.3 mm		
Solder pin length	4 mm		
Protection category according to IEC 60529	IP 20		
Min. insul. strip length	8 mm		
Color	black		

Dimensional drawing



L = (Pole size - 1) * centerline + 5 mm (0.197 in.)

P/N

310031

Complete the part number by adding the pole size.

	02	03	04	05	06	07	08
09	10	11	12	13	14	15	16
17	18	19	20	21	22	23	24

(Information: page 67)

Standard pole sizes



Product family Pole size Color Option
RT045xxMBWC *(Type 069)
Centerline Design Function *old product name

- screw type terminal block, solderable, double solder pins
- centerline 5.00 mm, direction of connection 90°
- wire protector, fittable without loss of poles
- color black

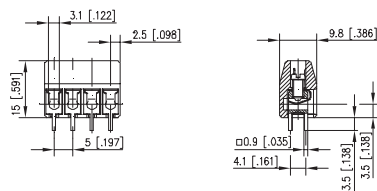
Technical data

UL 300 V / A / AWG 300 / 20 / 22 - 12

SEV 2.5 mm² 250 V / 24 A / T60

Overvoltage category	III	III	II
Pollution degree	3	2	2
Rated voltage	250 V	630 V	630 V
Rated test voltage	4.0 kV	4.0 kV	4 kV
Insulating material class	CTI 600		
Rated wiring solid wire	0.34 - 2.5 mm ²		
Rated wiring stranded wire	0.34 - 2.5 mm ²		
Rated wiring solid wire	AWG 22 - 12		
Rated wiring stranded wire	AWG 22 - 12		
Clearance and creepage distances	3.9 mm		
Solder pin dimension	2 x 0.9 x 0.9 mm		
Recommended pc board hole dia.	ø 1.4 mm		
Solder pin length	3.5 mm		
Protection category according to IEC 60529	IP 20		
Min. insul. strip length	8 mm		
Color	black		

Dimensional drawing



L = (Pole size - 1) * centerline + 5 mm (0.197 in.)

P/N

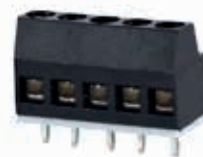
310691

Complete the part number by adding the pole size.

	02	03	04	05	06	07	08
09	10	11	12	13	14	15	16
17	18	19	20	21	22	23	24

(Information: page 67)

Standard pole sizes



Product family Pole size Color Option
RT055xxHBL C *(Type 011)
Centerline Design Function *old product name

- screw type terminal block, solderable
- centerline 5.00 mm, direction of connection 90°
- lift system, fittable without loss of poles
- color black

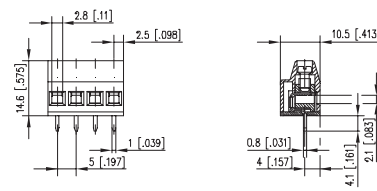
Technical data

UL 300 V / A / AWG 300 / 15 / 28 - 14

SEV 1.5 mm² 250 V / 17.5 A / T60

Overvoltage category	III	III	II
Pollution degree	3	2	2
Rated voltage	250 V	630 V	630 V
Rated test voltage	4.0 kV	4.0 kV	4 kV
Insulating material class	CTI 600		
Rated wiring solid wire	0.34 - 2.5 mm ²		
Rated wiring stranded wire	0.34 - 2.5 mm ²		
Rated wiring solid wire	AWG 28 - 12		
Rated wiring stranded wire	AWG 28 - 12		
Clearance and creepage distances	3.9 mm		
Solder pin dimension	0.8 x 1.0 mm		
Recommended pc board hole dia.	ø 1.4 mm		
Solder pin length	4.1 mm		
Protection category according to IEC 60529	IP 20		
Min. insul. strip length	7 mm		
Color	black		

Dimensional drawing



L = (Pole size - 1) * centerline + 5 mm (0.197 in.)

P/N

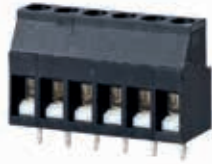
310111

Complete the part number by adding the pole size.

	02	03	04	05	06	07	08
09	10	11	12	13	14	15	16

(Information: page 67)

Standard pole sizes



Product family Pole size Color Option
RT025xxHBL C * (Type 071)
Centerline Design Function *old product name

- screw type terminal block, solderable
- centerline 5.00 mm, direction of connection 90°
- lift system, fittable without loss of poles
- color black

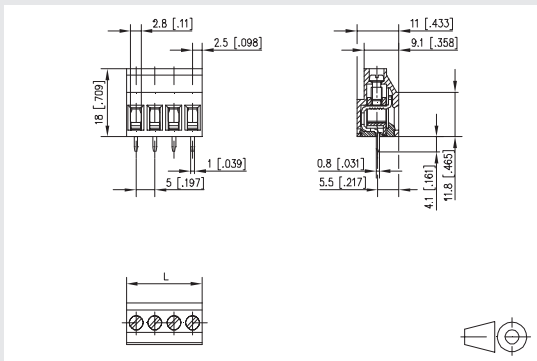
Technical data

UL us V / A / AWG 300 / 20 / 22 - 12

SEV 2.5 mm² 250 V / 24 A / T60

Overvoltage category	III	III	II
Pollution degree	3	2	2
Rated voltage	320 V	800 V	800 V
Rated test voltage	4 kV	4.0 kV	4 kV
Insulating material class	CTI 600		
Rated wiring solid wire	0.34 - 2.5 mm ²		
Rated wiring stranded wire	0.34 - 2.5 mm ²		
Rated wiring solid wire	AWG 22 - 12		
Rated wiring stranded wire	AWG 22 - 12		
Clearance and creepage distances	4 mm		
Solder pin dimension	0.8 x 1.0 mm		
Recommended pc board hole dia.	ø 1.4 mm		
Solder pin length	4.1 mm		
Protection category according to IEC 60529	IP 20		
Min. insul. strip length	8 mm		
Color	black		

Dimensional drawing



L = (Pole size - 1) * centerline + 5 mm (0.197 in.)

P/N

310711

Complete the part number by adding the pole size.

	02	03	04	05	06	07	08
09	10	11	12	13	14	15	16
17	18	19	20	21	22	23	24

(Information: page 67)

Standard pole sizes



Product family Pole size Color Option
RT025xxHBL U * (Type 072)
Centerline Design Function *old product name

- screw type terminal block, solderable
- centerline 5.00 mm, direction of connection 90°
- lift system, modular
- color black

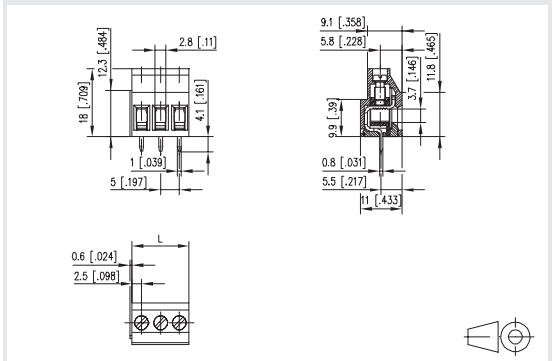
Technical data

UL us V / A / AWG 300 / 20 / 22 - 12

SEV 2.5 mm² 250 V / 16 A / T60

Overvoltage category	III	III	II
Pollution degree	3	2	2
Rated voltage	320 V	800 V	800 V
Rated test voltage	4 kV	4.0 kV	4 kV
Insulating material class	CTI 600		
Rated wiring solid wire	0.34 - 2.5 mm ²		
Rated wiring stranded wire	0.34 - 2.5 mm ²		
Rated wiring solid wire	AWG 22 - 12		
Rated wiring stranded wire	AWG 22 - 12		
Clearance and creepage distances	4 mm		
Solder pin dimension	0.8 x 1.0 mm		
Recommended pc board hole dia.	ø 1.4 mm		
Solder pin length	4.1 mm		
Protection category according to IEC 60529	IP 20		
Min. insul. strip length	8 mm		
Color	black		

Dimensional drawing



L = (Pole size - 1) * centerline + 5 mm (0.197 in.)

P/N

310721

Complete the part number by adding the pole size.

	02	03	04				

(Information: page 67)

Standard pole sizes



Product family Pole size Color Option
RT145xxHBVC *(Type 204)
Centerline Design Function *old product name

- screw type terminal block, solderable
- centerline 5.00 mm, direction of connection 90°
- lift system, fittable without loss of poles
- color black

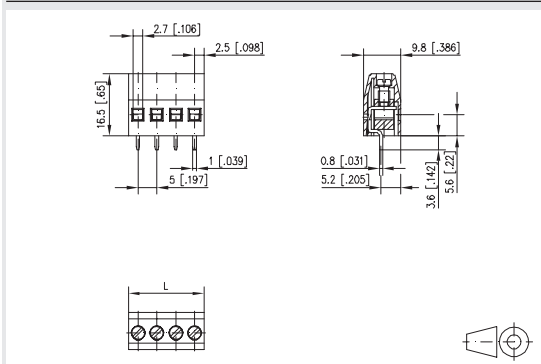
Technical data

UL us V / A / AWG 300 / 15 / 28 - 12

SEV 2.5 mm² 250 V / 16 A / T60

Overvoltage category	III	III	II
Pollution degree	3	2	2
Rated voltage	320 V	800 V	800 V
Rated test voltage	4 kV	4.0 kV	4 kV
Insulating material class	CTI 600		
Rated wiring solid wire	0.08 - 2.5 mm ²		
Rated wiring stranded wire	0.08 - 2.5 mm ²		
Rated wiring solid wire	AWG 28 - 12		
Rated wiring stranded wire	AWG 28 - 12		
Clearance and creepage distances	4 mm		
Solder pin dimension	0.8 x 1.0 mm		
Recommended pc board hole dia.	ø 1.4 mm		
Solder pin length	3.6 mm		
Protection category according to IEC 60529	IP 20		
Min. insul. strip length	8 mm		
Color	black		

Dimensional drawing



L = (Pole size - 1) * centerline + 5 mm (0.197 in.)

P/N

312041

Complete the part number by adding the pole size.

	02	03	04	05	06	07	08
09	10	11	12	13	14	15	16
17	18	19	20	21	22	23	24

(Information: page 67)

Standard pole sizes



Product family Pole size Color Option
RT145xxMBLC *(Type 269)
Centerline Design Function *old product name

- screw type terminal block, solderable, double solder pins
- centerline 5.00 mm, direction of connection 90°
- lift system, fittable without loss of poles
- color black
- multiple pins

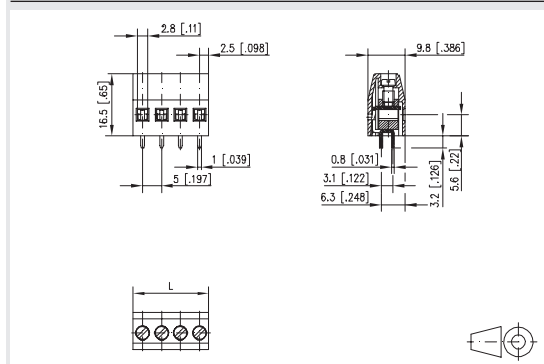
Technical data

UL us V / A / AWG 300 / 15 / 28 - 12

SEV 2.5 mm² 250 V / 16 A / T60

Overvoltage category	III	III	II
Pollution degree	3	2	2
Rated voltage	320 V	800 V	800 V
Rated test voltage	4 kV	4.0 kV	4 kV
Insulating material class	CTI 600		
Rated wiring solid wire	0.08 - 2.5 mm ²		
Rated wiring stranded wire	0.08 - 2.5 mm ²		
Rated wiring solid wire	AWG 28 - 12		
Rated wiring stranded wire	AWG 28 - 12		
Clearance and creepage distances	4 mm		
Solder pin dimension	2 x 0.8 x 1.0 mm		
Recommended pc board hole dia.	ø 1.4 mm		
Solder pin length	3.2 mm		
Protection category according to IEC 60529	IP 20		
Min. insul. strip length	8 mm		
Color	black		

Dimensional drawing



L = (Pole size - 1) * centerline + 5 mm (0.197 in.)

P/N

312691

Complete the part number by adding the pole size.

	02	03	04	05	06	07	08
09	10	11	12	13	14	15	16
17	18	19	20	21	22	23	24

(Information: page 67)

Standard pole sizes



Product family Pole size Color Option
RT165xxHBNC *(Type 170)
Centerline Design Function *old product name

- screw type terminal block, solderable, double solder pins
- centerline 5.00 mm, direction of connection 90°
- fittable without loss of poles
- color black
- big chamber for wire entry 2 x 2.50 mm² / 2 x 13.00 AWG

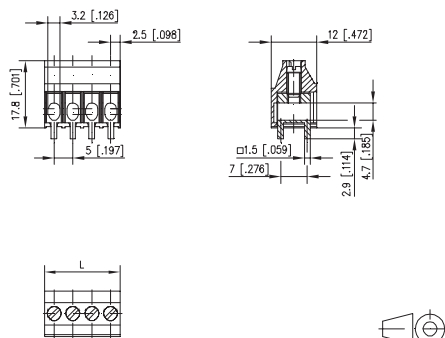
Technical data

UL US V / A / AWG 300 / 20 / 20 - 10

SEV 2x2.5 mm² 250 V / 24 A / T60

Overvoltage category	III	III	II
Pollution degree	3	2	2
Rated voltage	250 V	630 V	630 V
Rated test voltage	4.0 kV	4.0 kV	4 kV
Insulating material class	CTI 600		
Rated wiring solid wire	0.5 - 4 mm ²		
Rated wiring stranded wire	0.5 - 4 mm ²		
Rated wiring solid wire	AWG 20 - 10		
Rated wiring stranded wire	AWG 20 - 10		
Clearance and creepage distances	3.5 mm		
Solder pin dimension	2 x 1.5 x 1.5 mm		
Recommended pc board hole dia.	ø 2.4 mm		
Solder pin length	2.9 mm		
Protection category according to IEC 60529	IP 10		
Min. insul. strip length	9.5 mm		
Color	black		

Dimensional drawing



L = (Pole size - 1) * centerline + 5 mm (0.197 in.)

P/N

311701

Complete the part number by adding the pole size.

	02	03	04	05	06	07	08
09	10	11	12				

(Information: page 67)

Standard pole sizes



Product family Pole size Color Option
RT035xxHBLU *(Type 094)
Centerline Design Function *old product name

- screw type terminal block, solderable
- centerline 5.00 mm, direction of connection 90°
- lift system, modular
- color black

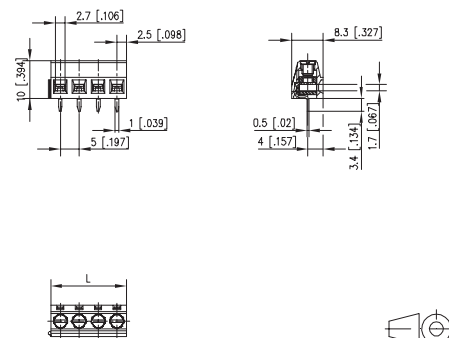
Technical data

UL US V / A / AWG 300 / 10 / 26 - 16

SEV 1.5 mm² 250 V / 17.5 A / T60

Overvoltage category	III	III	II
Pollution degree	3	2	2
Rated voltage	250 V	630 V	630 V
Rated test voltage	4.0 kV	4.0 kV	4 kV
Insulating material class	CTI 600		
Rated wiring solid wire	0.2 - 1.5 mm ²		
Rated wiring stranded wire	0.2 - 1.5 mm ²		
Rated wiring solid wire	AWG 26 - 16		
Rated wiring stranded wire	AWG 26 - 16		
Clearance and creepage distances	3.2 mm		
Solder pin dimension	0.5 x 1.0 mm		
Recommended pc board hole dia.	ø 1.3 mm		
Solder pin length	3.4 mm		
Protection category according to IEC 60529	IP 20		
Min. insul. strip length	6 mm		
Color	black		

Dimensional drawing



L = (Pole size - 1) * centerline + 5 mm (0.197 in.)

P/N

310941

Complete the part number by adding the pole size.

	02	03	04	05	06	07	08
09	10	11	12	13	14	15	16
17	18	19	20	21	22	23	24

(Information: page 67)

Standard pole sizes

Accessories

for RT075xxHBLU
711401

Page

294



Product family Pole size Color Option
RT075xxHBLU*(Type 092)
Centerline Design Function *old product name

- screw type terminal block, solderable, double solder pins
- centerline 5.00 mm, direction of connection 90°
- lift system, modular
- color black
- double stacked

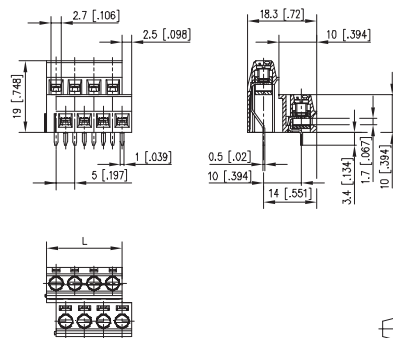
Technical data

UL **US** V / A / AWG 300 / 10 / 26 - 16

SEV 1.5 mm² 250 V / 17.5 A / T60

Overvoltage category	III	III	II
Pollution degree	3	2	2
Rated voltage	250 V	630 V	630 V
Rated test voltage	4.0 kV	4.0 kV	4 kV
Insulating material class	CTI 600		
Rated wiring solid wire	0.34 - 1.5 mm ²		
Rated wiring stranded wire	0.34 - 1.5 mm ²		
Rated wiring solid wire	AWG 26 - 16		
Rated wiring stranded wire	AWG 26 - 16		
Clearance and creepage distances	3.2 mm		
Solder pin dimension	2 x 0.5 x 1.0 mm		
Recommended pc board hole dia.	ø 1.3 mm		
Solder pin length	3.4 mm		
Protection category according to IEC 60529	IP 20		
Min. insul. strip length	6 mm		
Color	black		

Dimensional drawing



L = (Pole size - 1) * centerline + 5 mm (0.197 in.)

P/N

310921

Complete the part number by adding the pole size.

	04	06	08	10	12	14	16

(Information: page 67)

Standard pole sizes



Product family Pole size Color Option
RT205xxHBLU*(Type 096)
Centerline Design Function *old product name

- screw type terminal block, solderable, double solder pins
- centerline 5.00 mm, direction of connection 90°
- lift system, modular
- color black
- double stacked

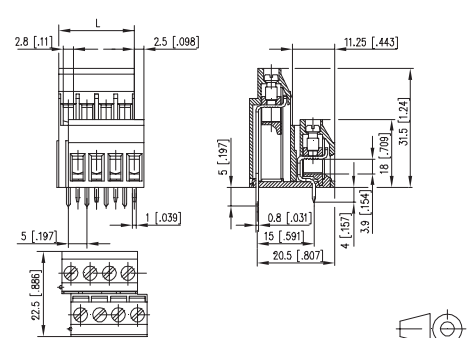
Technical data

UL **US** V / A / AWG 300 / 20 / 22 - 12

SEV 2.5 mm² 250 V / 24 A / T60

Overvoltage category	III	III	II
Pollution degree	3	2	2
Rated voltage	320 V	800 V	800 V
Rated test voltage	4 kV	4.0 kV	4 kV
Insulating material class	CTI 600		
Rated wiring solid wire	0.34 - 2.5 mm ²		
Rated wiring stranded wire	0.34 - 2.5 mm ²		
Rated wiring solid wire	AWG 22 - 12		
Rated wiring stranded wire	AWG 22 - 12		
Clearance and creepage distances	4 mm		
Solder pin dimension	2 x 0.8 x 1.0 mm		
Recommended pc board hole dia.	ø 1.4 mm		
Solder pin length	5 mm		
Protection category according to IEC 60529	IP 20		
Min. insul. strip length	6 mm		
Color	black		

Dimensional drawing



L = (Pole size - 1) * centerline + 5 mm (0.197 in.)

P/N

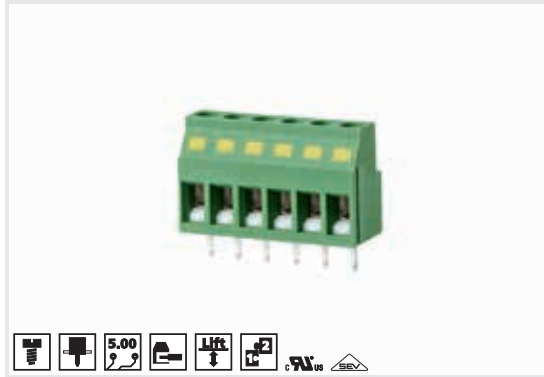
310961

Complete the part number by adding the pole size.

	04	06					

(Information: page 67)

Standard pole sizes



Product family Pole size Color Option
RT025xxOGLU *(Type 065)
Centerline Design Function *old product name

- screw type terminal block, solderable
- centerline 5.00 mm, direction of connection 90°
- lift system, modular
- color green
- distribution terminal block, all poles with same potential, insulating proof

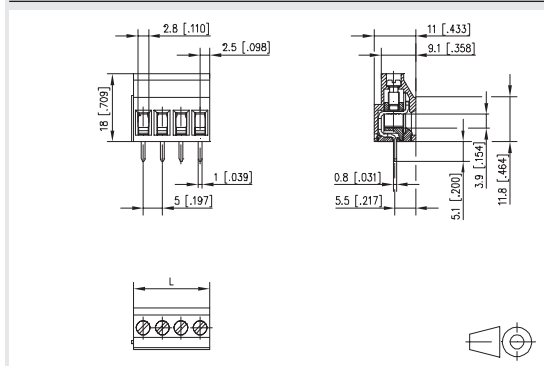
Technical data

UL 300 V / A / AWG 300 / 20 / 22 - 12

SEV 2.5 mm² 250 V / 24 A / T60

Overvoltage category	III	III	II
Pollution degree	3	2	2
Rated voltage	320 V	800 V	800 V
Rated test voltage	4 kV	4.0 kV	4 kV
Insulating material class	CTI 600		
Rated wiring solid wire	0.34 - 2.5 mm ²		
Rated wiring stranded wire	0.34 - 2.5 mm ²		
Rated wiring solid wire	AWG 22 - 12		
Rated wiring stranded wire	AWG 22 - 12		
Clearance and creepage distances	4 mm		
Solder pin dimension	0.8 x 1.0 mm		
Recommended pc board hole dia.	ø 1.4 mm		
Solder pin length	5.1 mm		
Protection category according to IEC 60529	IP 20		
Min. insul. strip length	8 mm		
Color	green		

Dimensional drawing



L = (Pole size - 1) * centerline + 5 mm (0.197 in.)

P/N

310651

	02	03	04	05	06	07	08
09	10	11	12				

(Information: page 67)

Standard pole sizes



Product family Pole size Color Option
RT025xxHDL L *(Type 385)
Centerline Design Function *old product name

- screw type terminal block, solderable
- centerline 5.00 mm, direction of connection 90°
- lift system, fittable without loss of poles
- color gray
- solder pins right-angled to the left

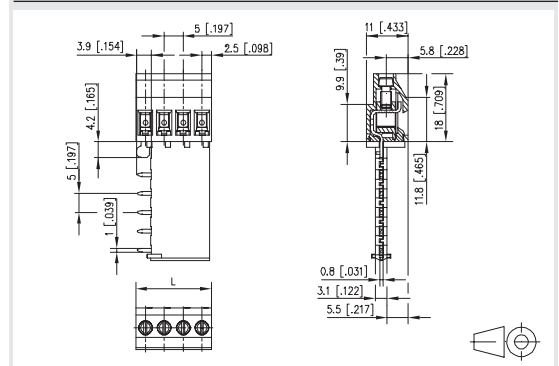
Technical data

UL 300 V / A / AWG 300 / 20 / 20 - 12

SEV 2.50 mm² 250 V / 24 A / T60

Overvoltage category	III	III	II
Pollution degree	3	2	2
Rated voltage	320 V	800 V	800 V
Rated test voltage	4 kV	4.0 kV	4 kV
Insulating material class	CTI 600		
Rated wiring solid wire	0.34 - 2.5 mm ²		
Rated wiring stranded wire	0.34 - 2.5 mm ²		
Rated wiring solid wire	AWG 20 - 12		
Rated wiring stranded wire	AWG 20 - 12		
Clearance and creepage distances	4 mm		
Solder pin dimension	see drawing mm		
Recommended pc board hole dia.	ø 1.4 mm		
Solder pin length	3.9 mm		
Protection category according to IEC 60529	IP 20		
Min. insul. strip length	8 mm		
Color	gray		

Dimensional drawing



L = (Pole size - 1) * centerline + 5 mm (0.197 in.)

P/N

313851

	02	03	04				

(Information: page 67)

Standard pole sizes



Product family Pole size Color Option
RT025xxHDLR *(Type 386)
Centerline Design Function *old product name

- screw type terminal block, solderable
- centerline 5.00 mm, direction of connection 90°
- lift system, fittable without loss of poles
- color gray
- solder pins right-angled to the right

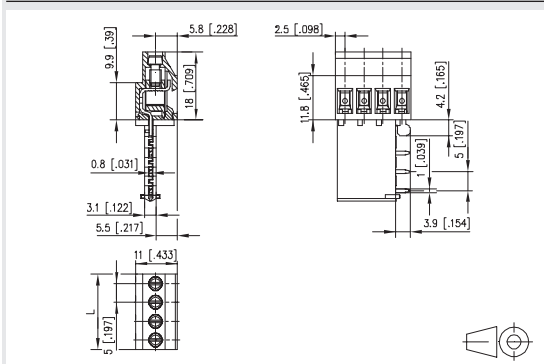
Technical data

UL V / A / AWG 300 / 20 / 20 - 12

SEV 2.5 mm² 250 V / 24 A / T60

Overvoltage category	III	III	II
Pollution degree	3	2	2
Rated voltage	320 V	800 V	800 V
Rated test voltage	4 kV	4.0 kV	4 kV
Insulating material class	CTI 600		
Rated wiring solid wire	0.34 - 4 mm ²		
Rated wiring stranded wire	0.34 - 2.5 mm ²		
Rated wiring solid wire	AWG 20 - 12		
Rated wiring stranded wire	AWG 20 - 12		
Clearance and creepage distances	4 mm		
Solder pin dimension	see drawing mm		
Recommended pc board hole dia.	ø 1.4 mm		
Solder pin length	3.9 mm		
Protection category according to IEC 60529	IP 20		
Min. insul. strip length	8 mm		
Color	gray		

Dimensional drawing



L = (Pole size - 1) * centerline + 5 mm (0.197 in.)

P/N

313861

Complete the part number by adding the pole size.

02	03	04			

(Information: page 67)

Standard pole sizes



Product family Pole size Color Option
RT085xxDBWC *(Type 005)
Centerline Design Function *old product name

- screw type terminal block, solderable
- centerline 5.00 mm, direction of connection 45°
- wire protector, fittable without loss of poles
- color black

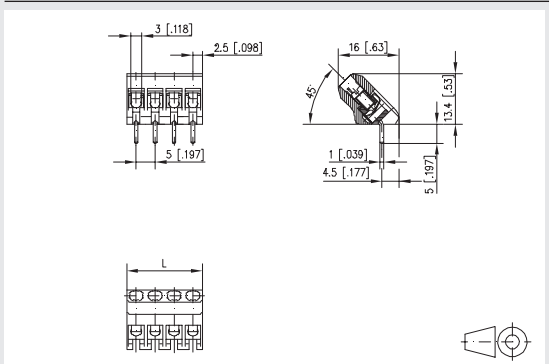
Technical data

UL V / A / AWG 300 / 20 / 22 - 12

SEV 2.5 mm² 250 V / 24 A / T60

Overvoltage category	III	III	II
Pollution degree	3	2	2
Rated voltage	200 V	500 V	500 V
Rated test voltage	2.5 kV	2.5 kV	2.5 kV
Insulating material class	CTI 600		
Rated wiring solid wire	0.34 - 2.5 mm ²		
Rated wiring stranded wire	0.34 - 2.5 mm ²		
Rated wiring solid wire	AWG 22 - 12		
Rated wiring stranded wire	AWG 22 - 12		
Clearance and creepage distances	2.6 mm		
Solder pin dimension	1.0 mm		
Recommended pc board hole dia.	ø 1.3 mm		
Solder pin length	5 mm		
Protection category according to IEC 60529	IP 20		
Min. insul. strip length	8 mm		
Color	black		

Dimensional drawing



L = (Pole size - 1) * centerline + 5 mm (0.197 in.)

P/N

310051

Complete the part number by adding the pole size.

02	03	04	05	06	07	08
09	10	11	12			

(Information: page 67)

Standard pole sizes



Product family Pole size Color Option
RT045xxUBL C *(Type 205)
Centerline Design Function *old product name

- screw type terminal block, solderable
- centerline 5.00 mm, direction of connection 55°
- lift system, fittable without loss of poles
- color black

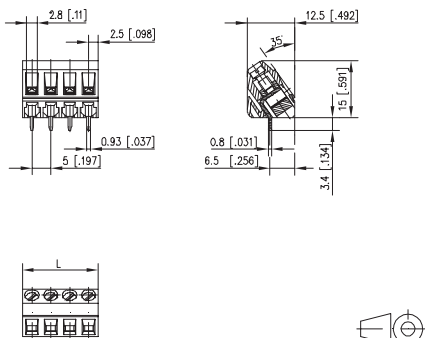
Technical data

UL us V / A / AWG 300 / 15 / 28 - 12

SEV 2.5 mm² 250 V / 24 A / T60

Overvoltage category	III	III	II
Pollution degree	3	2	2
Rated voltage	250 V	630 V	630 V
Rated test voltage	4.0 kV	4.0 kV	4 kV
Insulating material class	CTI 600		
Rated wiring solid wire	0.34 - 2.5 mm ²		
Rated wiring stranded wire	0.34 - 2.5 mm ²		
Rated wiring solid wire	AWG 28 - 12		
Rated wiring stranded wire	AWG 28 - 12		
Clearance and creepage distances	3.2 mm		
Solder pin dimension	0.8 x 1.0 mm		
Recommended pc board hole dia.	ø 1.4 mm		
Solder pin length	3.4 mm		
Protection category according to IEC 60529	IP 20		
Min. insul. strip length	7 mm		
Color	black		

Dimensional drawing



L = (Pole size - 1) * centerline + 5 mm (0.197 in.)

P/N

312051

Complete the part number by adding the pole size.

	02	03	04	05	06	07	08
09	10	11	12	13	14	15	16
17	18	19	20	21	22	23	24

(Information: page 67)

Standard pole sizes



Product family Pole size Color Option
RT015xxVDWC *(Type 063)
Centerline Design Function *old product name

- screw type terminal block, solderable
- centerline 5.00 mm, direction of connection vertical 0°
- wire protector, fittable without loss of poles
- color gray

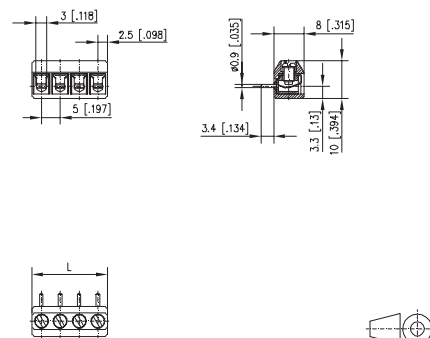
Technical data

UL us V / A / AWG 300 / 15 / 22 - 14

SEV 1.5 mm² 130 V / 13 A / T60

Overvoltage category	III	III	II
Pollution degree	3	2	2
Rated voltage	200 V	500 V	500 V
Rated test voltage	2.5 kV	2.5 kV	2.5 kV
Insulating material class	CTI 600		
Rated wiring solid wire	0.34 - 2.0 mm ²		
Rated wiring stranded wire	0.34 - 2.0 mm ²		
Rated wiring solid wire	AWG 22 - 14		
Rated wiring stranded wire	AWG 22 - 14		
Clearance and creepage distances	2.6 mm		
Solder pin dimension	0.9 mm		
Recommended pc board hole dia.	ø 1.3 mm		
Solder pin length	3.4 mm		
Protection category according to IEC 60529	IP 10		
Min. insul. strip length	6 mm		
Color	gray		

Dimensional drawing



L = (Pole size - 1) * centerline + 5 mm (0.197 in.)

P/N

310631

Complete the part number by adding the pole size.

	02	03	04	05	06	07	08
09	10	11	12	13	14	15	16
17	18	19	20	21	22		

(Information: page 67)

Standard pole sizes



Product family Pole size Color Option
RT095xxVBWC *(Type 147)
Centerline Design Function *old product name

- screw type terminal block, solderable
- centerline 5.00 mm, direction of connection vertical 0°
- wire protector, fittable without loss of poles
- color black

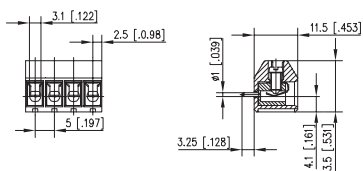
Technical data

UL **300** V / A / AWG 300 / 15 / 22 - 14

SEV **1.5** mm² 250 V / 17.5 A / T60

Overvoltage category	III	III	II
Pollution degree	3	2	2
Rated voltage	320 V	800 V	800 V
Rated test voltage	4 kV	4.0 kV	4 kV
Insulating material class	CTI 600		
Rated wiring solid wire	0.34 - 2.0 mm ²		
Rated wiring stranded wire	0.34 - 2.0 mm ²		
Rated wiring solid wire	AWG 22 - 14		
Rated wiring stranded wire	AWG 22 - 14		
Clearance and creepage distances	4 mm		
Solder pin dimension	1.0 mm		
Recommended pc board hole dia.	ø 1.3 mm		
Solder pin length	3.25 mm		
Protection category according to IEC 60529	IP 00		
Min. insul. strip length	8 mm		
Color	black		

Dimensional drawing



L = (Pole size - 1) * centerline + 5 mm (0.197 in.)

P/N

311471

Complete the part number by adding the pole size.

	02	03	04	05	06	07	08
09	10	11	12	13	14	15	16
17	18	19	20	21	22	23	24

(Information: page 67)

Standard pole sizes



Product family Pole size Color Option
RT016xxHBWC *(Type 101)
Centerline Design Function *old product name

- screw type terminal block, solderable
- centerline 5.08 mm, direction of connection 90°
- wire protector, fittable without loss of poles
- color black

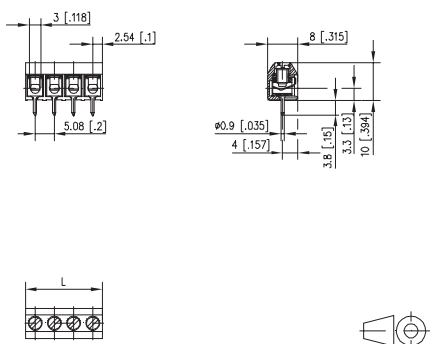
Technical data

UL us V / A / AWG 300 / 15 / 28 - 14

SEV 1.5 mm² 130 V / 13 A / T60

Overvoltage category	III	III	II
Pollution degree	3	2	2
Rated voltage	200 V	500 V	500 V
Rated test voltage	2.5 kV	2.5 kV	2.5 kV
Insulating material class	CTI 600		
Rated wiring solid wire	0.34 - 2.0 mm ²		
Rated wiring stranded wire	0.34 - 2.0 mm ²		
Rated wiring solid wire	AWG 28 - 14		
Rated wiring stranded wire	AWG 28 - 14		
Clearance and creepage distances	2.7 mm		
Solder pin dimension	0.9 mm		
Recommended pc board hole dia.	ø 1.3 mm		
Solder pin length	3.8 mm		
Protection category according to IEC 60529	IP 10		
Min. insul. strip length	6 mm		
Color	black		

Dimensional drawing



L = (Pole size - 1) * centerline + 5.08 mm (0.200 in.)

P/N

311011

Complete the part number by adding the pole size.

	02	03	04	05	06	07	08
09	10	11	12	13	14	15	16
17	18	19	20	21	22		

(Information: page 67)

Standard pole sizes



Product family Pole size Color Option
RT056xxHBLU *(Type 015)
Centerline Design Function *old product name

- screw type terminal block, solderable
- centerline 5.08 mm, direction of connection 90°
- lift system, modular
- color black

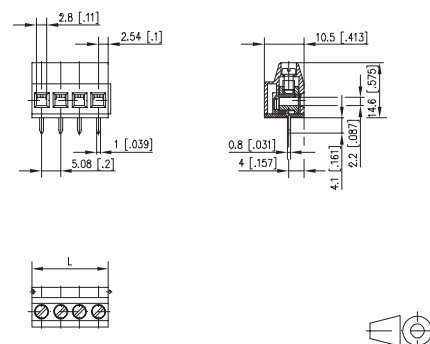
Technical data

UL us V / A / AWG 300 / 15 / 22 - 14

SEV 1.5 mm² 250 V / 17.5 A / T60

Overvoltage category	III	III	II
Pollution degree	3	2	2
Rated voltage	250 V	630 V	630 V
Rated test voltage	4.0 kV	4.0 kV	4 kV
Insulating material class	CTI 600		
Rated wiring solid wire	0.34 - 2.0 mm ²		
Rated wiring stranded wire	0.34 - 2.0 mm ²		
Rated wiring solid wire	AWG 22 - 14		
Rated wiring stranded wire	AWG 22 - 14		
Clearance and creepage distances	3.9 mm		
Solder pin dimension	0.8 x 1.0 mm		
Recommended pc board hole dia.	ø 1.4 mm		
Solder pin length	4.1 mm		
Protection category according to IEC 60529	IP 20		
Min. insul. strip length	7 mm		
Color	black		

Dimensional drawing



L = (Pole size - 1) * centerline + 5.08 mm (0.200 in.)

P/N

310151

Complete the part number by adding the pole size.

	02	03					

(Information: page 67)

Standard pole sizes



Product family Pole size Color Option
RT036xxHBLU*(Type 095)
Centerline Design Function *old product name

- screw type terminal block, solderable
- centerline 5.08 mm, direction of connection 90°
- lift system, modular
- color black

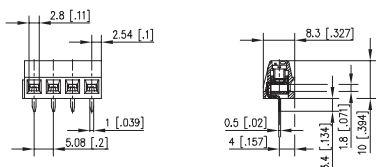
Technical data

UL 300 V / A / AWG 300 / 10 / 26 - 16

SEV 1.5 mm² 250 V / 17.5 A / T60

Overvoltage category	III	III	II
Pollution degree	3	2	2
Rated voltage	250 V	630 V	630 V
Rated test voltage	4.0 kV	4.0 kV	4 kV
Insulating material class	CTI 600		
Rated wiring solid wire	0.2 - 1.5 mm ²		
Rated wiring stranded wire	0.2 - 1 mm ²		
Rated wiring solid wire	AWG 26 - 16		
Rated wiring stranded wire	AWG 26 - 16		
Clearance and creepage distances	3.2 mm		
Solder pin dimension	0.5 x 1.0 mm		
Recommended pc board hole dia.	ø 1.3 mm		
Solder pin length	3.4 mm		
Protection category according to IEC 60529	IP 20		
Min. insul. strip length	6 mm		
Color	black		

Dimensional drawing



L = (Pole size - 1) * centerline + 5.08 mm (0.200 in.)

P/N

310951

Complete the part number by adding the pole size.

	02	03					

(Information: page 67)

Standard pole sizes



Product family Pole size Color Option
RT046xxHBWU*(Type 083)
Centerline Design Function *old product name

- screw type terminal block, solderable
- centerline 5.08 mm, direction of connection 90°
- wire protector, modular
- color black

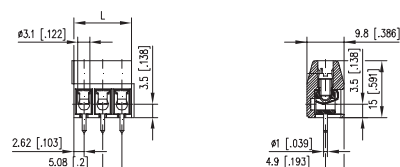
Technical data

UL 300 V / A / AWG 300 / 20 / 22 - 14

SEV 2.5 mm² 250 V / 24 A / T60

Overvoltage category	III	III	II
Pollution degree	3	2	2
Rated voltage	250 V	630 V	630 V
Rated test voltage	4.0 kV	4.0 kV	4 kV
Insulating material class	CTI 600		
Rated wiring solid wire	0.34 - 2.5 mm ²		
Rated wiring stranded wire	0.34 - 2.5 mm ²		
Rated wiring solid wire	AWG 22 - 12		
Rated wiring stranded wire	AWG 22 - 12		
Clearance and creepage distances	3.9 mm		
Solder pin dimension	0.9 mm		
Recommended pc board hole dia.	ø 1.3 mm		
Solder pin length	4 mm		
Protection category according to IEC 60529	IP 20		
Min. insul. strip length	8 mm		
Color	black		

Dimensional drawing



L = (Pole size - 1) * centerline + 5.08 mm (0.200 in.)

P/N

310831

Complete the part number by adding the pole size.

	02	03					

(Information: page 67)

Standard pole sizes

Accessories

for RT076xxHBLU
711401

Page

294



Product family Pole size Color Option
RT076xxHBLU*(Type 093)
Centerline Design Function *old product name

- screw type terminal block, solderable, double solder pins
- centerline 5.08 mm, direction of connection 90°
- lift system, modular
- color black
- double stacked

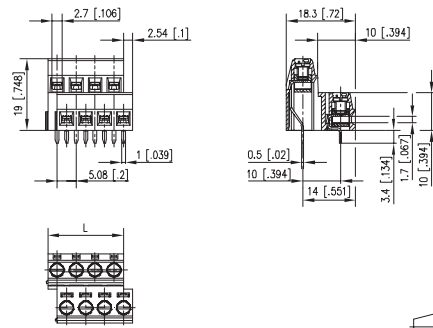
Technical data

UL 300 V / A / AWG 300 / 10 / 26 - 16

SEV 1.5 mm² 250 V / 17.5 A / T60

Overvoltage category	III	III	II
Pollution degree	3	2	2
Rated voltage	250 V	630 V	630 V
Rated test voltage	4.0 kV	4.0 kV	4 kV
Insulating material class	CTI 600		
Rated wiring solid wire	0.34 - 1.5 mm ²		
Rated wiring stranded wire	0.34 - 1.5 mm ²		
Rated wiring solid wire	AWG 26 - 16		
Rated wiring stranded wire	AWG 26 - 16		
Clearance and creepage distances	3.2 mm		
Solder pin dimension	2 x 0.5 x 1.0 mm		
Recommended pc board hole dia.	ø 1.3 mm		
Solder pin length	3.4 mm		
Protection category according to IEC 60529	IP 10		
Min. insul. strip length	6 mm		
Color	black		

Dimensional drawing



L = (Pole size - 1) * centerline + 5.08 mm (0.200 in.)

P/N

310931

Complete the part number by adding the pole size.

	04	06	08	10	12	14	16

(Information: page 67)

Standard pole sizes



Product family Pole size Color Option
RT206xxHBLU*(Type 097)
Centerline Design Function *old product name

- screw type terminal block, solderable, double solder pins
- centerline 5.08 mm, direction of connection 90°
- lift system, modular
- color black
- double stacked

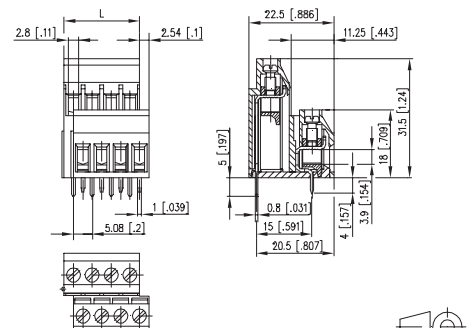
Technical data

UL 300 V / A / AWG 300 / 20 / 22 - 12

SEV 2.5 mm² 250 V / 24 A / T60

Overvoltage category	III	III	II
Pollution degree	3	2	2
Rated voltage	320 V	800 V	800 V
Rated test voltage	4 kV	4.0 kV	4 kV
Insulating material class	CTI 600		
Rated wiring solid wire	0.34 - 2.5 mm ²		
Rated wiring stranded wire	0.34 - 2.5 mm ²		
Rated wiring solid wire	AWG 22 - 12		
Rated wiring stranded wire	AWG 22 - 12		
Clearance and creepage distances	4 mm		
Solder pin dimension	2 x 0.8 x 1.0 mm		
Recommended pc board hole dia.	ø 1.4 mm		
Solder pin length	5 mm		
Protection category according to IEC 60529	IP 20		
Min. insul. strip length	6 mm		
Color	black		

Dimensional drawing



L = (Pole size - 1) * centerline + 5.08 mm (0.200 in.)

P/N

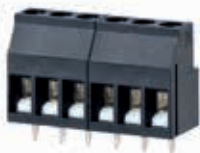
310971

Complete the part number by adding the pole size.

	04	06					

(Information: page 67)

Standard pole sizes



Product family Pole size Color Option
RT026xxHBLU*(Type 073)
Centerline Design Function *old product name

- screw type terminal block, solderable
- centerline 5.08 mm, direction of connection 90°
- lift system, modular
- color black
- Max. recommended number of poles: 6

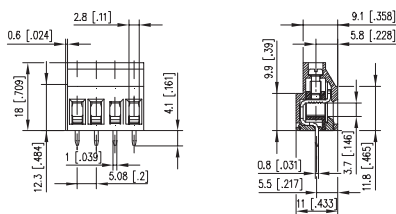
Technical data

UL c_{UL} V / A / AWG 300 / 20 / 22 - 12

SEV 2.5 mm² 250 V / 16 A / T60

Overvoltage category	III	III	II
Pollution degree	3	2	2
Rated voltage	320 V	800 V	800 V
Rated test voltage	4 kV	4.0 kV	4 kV
Insulating material class	CTI 600		
Rated wiring solid wire	0.34 - 2.5 mm ²		
Rated wiring stranded wire	0.34 - 2.5 mm ²		
Rated wiring solid wire	AWG 22 - 12		
Rated wiring stranded wire	AWG 22 - 12		
Clearance and creepage distances	4 mm		
Solder pin dimension	0.8 x 1.0 mm		
Recommended pc board hole dia.	ø 1.4 mm		
Solder pin length	4.1 mm		
Protection category according to IEC 60529	IP 20		
Min. insul. strip length	8 mm		
Color	black		

Dimensional drawing



L = (Pole size - 1) * centerline + 5 mm (0.197 in.)

P/N

310731

Complete the part number by adding the pole size.

	02	03				

(Information: page 67)

Standard pole sizes



Product family Pole size Color Option
RT016xxVBWC*(Type 163)
Centerline Design Function *old product name

- screw type terminal block, solderable
- centerline 5.08 mm, direction of connection vertical 0°
- wire protector, fittable without loss of poles
- color black

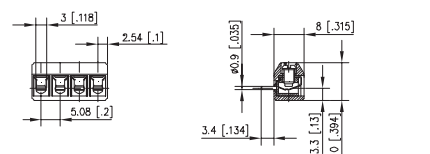
Technical data

UL c_{UL} V / A / AWG 300 / 15 / 28 - 14

SEV 1.5 mm² 130 V / 13 A / T60

Overvoltage category	III	III	II
Pollution degree	3	2	2
Rated voltage	200 V	500 V	500 V
Rated test voltage	2.5 kV	2.5 kV	2.5 kV
Insulating material class	CTI 600		
Rated wiring solid wire	0.34 - 2 mm ²		
Rated wiring stranded wire	0.34 - 1.5 mm ²		
Rated wiring solid wire	AWG 28 - 14		
Rated wiring stranded wire	AWG 28 - 14		
Clearance and creepage distances	2.6 mm		
Solder pin dimension	0.9 mm		
Recommended pc board hole dia.	ø 1.3 mm		
Solder pin length	3.4 mm		
Protection category according to IEC 60529	IP 10		
Min. insul. strip length	6 mm		
Color	black		

Dimensional drawing



L = (Pole size - 1) * centerline + 5.08 mm (0.200 in.)

P/N

311631

Complete the part number by adding the pole size.

	02	03	04	05	06	07	08	
	09	10	11	12	13	14	15	16

(Information: page 67)

Standard pole sizes



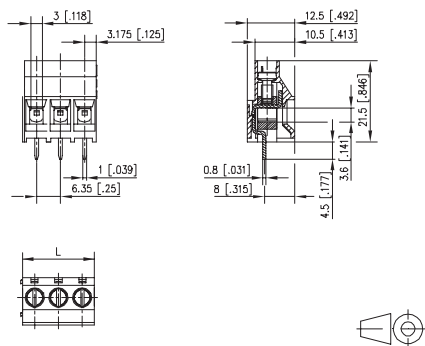
Product family Pole size Color Option
RT11 LxxHGL U*(Type 701)
Centerline Design Function *old product name

- screw type terminal block, solderable
- centerline 6.35 mm, direction of connection 90°
- lift system, modular
- color green

Technical data

300 V / A / AWG	300 / 30 / 26 - 10		
4 mm ²	450 V / 32 A / T60		
Overvoltage category	III	III	II
Pollution degree	3	2	2
Rated voltage	400 V	1000 V	1000 V
Rated test voltage	4 kV	4.0 kV	4.0 kV
Insulating material class	CTI 600		
Rated wiring solid wire	0.2 - 4 mm ²		
Rated wiring stranded wire	0.2 - 4 mm ²		
Rated wiring solid wire	AWG 26 - 10		
Rated wiring stranded wire	AWG 26 - 10		
Clearance and creepage distances	5 mm		
Solder pin dimension	0.8 x 1.0 mm		
Recommended pc board hole dia.	ø 1.3 mm		
Solder pin length	4.5 mm		
Protection category according to IEC 60529	IP 20		
Min. insul. strip length	7 mm		
Color	green		

Dimensional drawing



L = (Pole size - 1) * centerline + 6.35 mm (0.250 in.)

P/N

317011

Complete the part number by adding the pole size.

02	03					

(Information: page 67)

Standard pole sizes



Product family Pole size Color Option
RT137xxHBWC *(Type 171)
Centerline Design Function *old product name

- screw type terminal block, solderable
- centerline 7.50 mm, direction of connection 90°
- wire protector, fittable without loss of poles
- color black

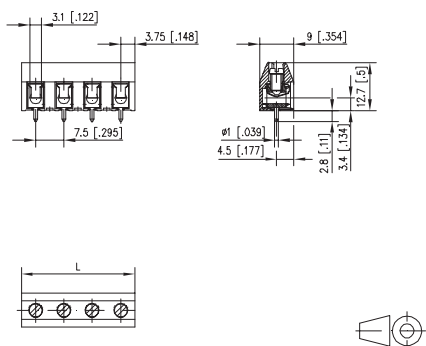
Technical data

UL us V / A / AWG 300 / 15 / 26 - 14

SEV 2.5 mm² 450 V / 24 A / T60

Overvoltage category	III	III	II
Pollution degree	3	2	2
Rated voltage	400 V	1000 V	1000 V
Rated test voltage	6.0 kV	6.0 kV	6 kV
Insulating material class	CTI 600		
Rated wiring solid wire	0.12 - 2.5 mm ²		
Rated wiring stranded wire	0.12 - 1.5 mm ²		
Rated wiring solid wire	AWG 26 - 14		
Rated wiring stranded wire	AWG 26 - 14		
Clearance and creepage distances	5.8 mm		
Solder pin dimension	1.0 mm		
Recommended pc board hole dia.	ø 1.3 mm		
Solder pin length	2.8 mm		
Protection category according to IEC 60529	IP 20		
Min. insul. strip length	8 mm		
Color	black		

Dimensional drawing



L = (Pole size - 1) * centerline + 7.5 mm (0.295 in.)

P/N **311711**

Complete the part number by adding the pole size.

	02	03	04	05	06	07	08
09	10	11	12				

(Information: page 67)

Standard pole sizes



Product family Pole size Color Option
RT027xxHBL C *(Type 175)
Centerline Design Function *old product name

- screw type terminal block, solderable
- centerline 7.50 mm, direction of connection 90°
- lift system, fittable without loss of poles
- color black

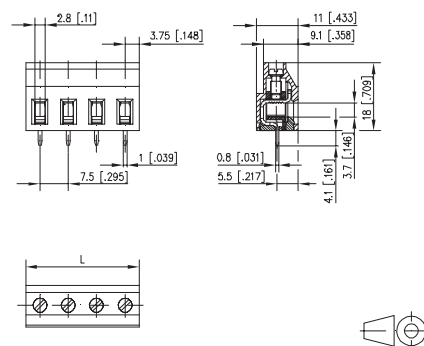
Technical data

UL us V / A / AWG 300 / 20 / 22 - 12

SEV 2.50 mm² 750 V / 24 A / T60

Overvoltage category	III	III	II
Pollution degree	3	2	2
Rated voltage	500 V	1250 V	1250 V
Rated test voltage	6.0 kV	6.0 kV	6 kV
Insulating material class	CTI 600		
Rated wiring solid wire	0.34 - 4 mm ²		
Rated wiring stranded wire	0.34 - 4 mm ²		
Rated wiring solid wire	AWG 22 - 12		
Rated wiring stranded wire	AWG 22 - 12		
Clearance and creepage distances	6.5 mm		
Solder pin dimension	0.8 x 1.0 mm		
Recommended pc board hole dia.	ø 1.4 mm		
Solder pin length	4.1 mm		
Protection category according to IEC 60529	IP 20		
Min. insul. strip length	8 mm		
Color	black		

Dimensional drawing



L = (Pole size - 1) * centerline + 7.5 mm (0.295 in.)

P/N **311751**

Complete the part number by adding the pole size.

	02	03	04	05	06	07	08
09	10	11	12				

(Information: page 67)

Standard pole sizes



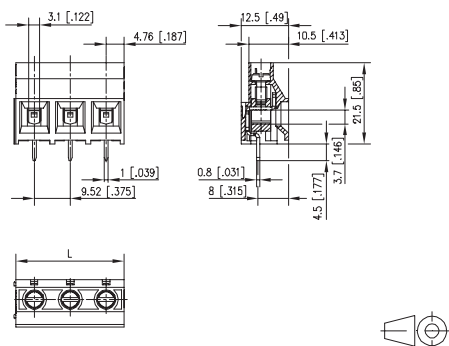
Product family Pole size Color Option
RT10NxxHGLU *(Type 703)
Centerline Design Function *old product name

- screw type terminal block, solderable
- centerline 9.52 mm, direction of connection 90°
- lift system, modular
- color green

Technical data

300 V / A / AWG	300 / 30 / 26 - 10
4 mm ²	800 V / 32 A / T60
Overvoltage category	III III II
Pollution degree	3 2 2
Rated voltage	630 V 1600 V 1600 V
Rated test voltage	8.0 kV 8 kV 8.0 kV
Insulating material class	CTI 600
Rated wiring solid wire	0.2 - 4 mm ²
Rated wiring stranded wire	0.2 - 4 mm ²
Rated wiring solid wire	AWG 26 - 10
Rated wiring stranded wire	AWG 26 - 10
Clearance and creepage distances	8.5 mm
Solder pin dimension	0.8 x 1.0 mm
Recommended pc board hole dia.	ø 1.3 mm
Solder pin length	4.5 mm
Protection category according to IEC 60529	IP 20
Min. insul. strip length	7 mm
Color	green

Dimensional drawing



L = (Pole size - 1) * centerline + 9.52 mm (0.375 in.)

P/N

317031

Complete the part number by adding the pole size.

02	03				

(Information: page 67)

Standard pole sizes



Product family Pole size Color Option
RT019xxHDWC *(Type 001)
Centerline Design Function *old product name

- screw type terminal block, solderable
- centerline 10.00 mm, direction of connection 90°
- wire protector, fittable without loss of poles
- color gray

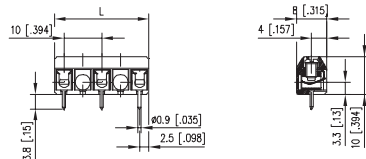
Technical data

UL 600 V / A / AWG 600 / 15 / 22 - 14

SEV 1.5 mm² 750 V / 13 A / T60

Overvoltage category	III	III	II
Pollution degree	3	2	2
Rated voltage	500 V	1250 V	1250 V
Rated test voltage	6.0 kV	6.0 kV	6 kV
Insulating material class	CTI 600		
Rated wiring solid wire	0.34 - 2 mm ²		
Rated wiring stranded wire	0.34 - 2 mm ²		
Rated wiring solid wire	AWG 22 - 14		
Rated wiring stranded wire	AWG 22 - 14		
Clearance and creepage distances	7.6 mm		
Solder pin dimension	0.9 mm		
Recommended pc board hole dia.	ø 1.3 mm		
Solder pin length	3.8 mm		
Protection category according to IEC 60529	IP 10		
Min. insul. strip length	6 mm		
Color	gray		

Dimensional drawing



L = (Pole size - 1) * centerline + 5 mm (0.197 in.)

P/N 310012

Complete the part number by adding the pole size.

	02	03	04	05	06	07	08
09	10	11					

(Information: page 67)

Standard pole sizes



Product family Pole size Color Option
RT019xxHDWC *(Type 067)
Centerline Design Function *old product name

- screw type terminal block, solderable
- centerline 10.00 mm, direction of connection 90°
- wire protector
- color gray

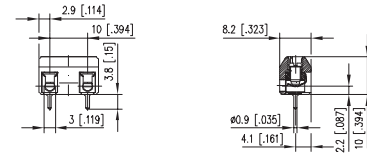
Technical data

UL 300 V / A / AWG 300 / 15 / 22 - 14

SEV 1.5 mm² 750 V / 13 A / T60

Overvoltage category	III	III	II
Pollution degree	3	2	2
Rated voltage	630 V	1600 V	1600 V
Rated test voltage	8.0 kV	8 kV	8.0 kV
Insulating material class	CTI 600		
Rated wiring solid wire	0.34 - 2.5 mm ²		
Rated wiring stranded wire	0.34 - 1.5 mm ²		
Rated wiring solid wire	AWG 22 - 14		
Rated wiring stranded wire	AWG 22 - 14		
Clearance and creepage distances	9.1 mm		
Solder pin dimension	0.9 mm		
Recommended pc board hole dia.	ø 1.3 mm		
Solder pin length	3.8 mm		
Protection category according to IEC 60529	IP 10		
Min. insul. strip length	7 mm		
Color	gray		

Dimensional drawing



L = (Pole size - 1) * centerline + 5.8 mm (0.228 in.)

P/N 310671

Complete the part number by adding the pole size.

	02						

(Information: page 67)

Standard pole sizes



Product family Pole size Color Option
RT139xxHBWC *(Type 271)
Centerline Design Function *old product name

- screw type terminal block, solderable
- centerline 10.00 mm, direction of connection 90°
- wire protector, fittable without loss of poles
- color black

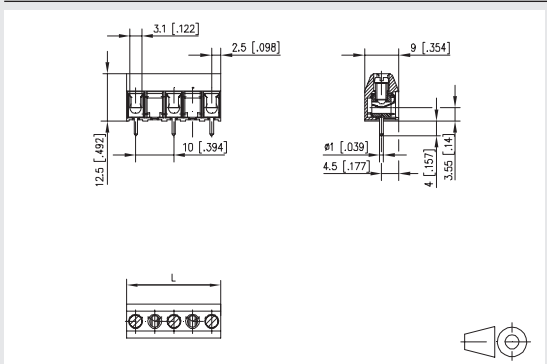
Technical data

UL us V / A / AWG 300 / 15 / 26 - 14

SEV 2.5 mm² 750 V / 24 A / T60

Overvoltage category	III	III	II
Pollution degree	3	2	2
Rated voltage	630 V	1600 V	1600 V
Rated test voltage	8.0 kV	8 kV	8.0 kV
Insulating material class	CTI 600		
Rated wiring solid wire	0.08 - 4 mm ²		
Rated wiring stranded wire	0.08 - 2.5 mm ²		
Rated wiring solid wire	AWG 26 - 14		
Rated wiring stranded wire	AWG 26 - 14		
Clearance and creepage distances	8.8 mm		
Solder pin dimension	1.0 mm		
Recommended pc board hole dia.	ø 1.3 mm		
Solder pin length	4 mm		
Protection category according to IEC 60529	IP 20		
Min. insul. strip length	8 mm		
Color	black		

Dimensional drawing



L = (Pole size - 1) * centerline + 5 mm (0.197 in.)

P/N

312712

Complete the part number by adding the pole size.

	02	03	04	05	06	07	08
09	10	11	12				

(Information: page 67)

Standard pole sizes



Product family Pole size Color Option
RT049xxHBWC *(Type 003)
Centerline Design Function *old product name

- screw type terminal block, solderable
- centerline 10.00 mm, direction of connection 90°
- wire protector, fittable without loss of poles
- color black

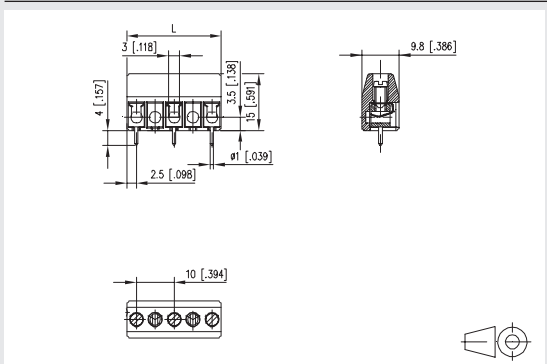
Technical data

UL us V / A / AWG 600 / 20 / 22 - 12

SEV 2.5 mm² 630 V / 24 A / T60

Overvoltage category	III	III	II
Pollution degree	3	2	2
Rated voltage	630 V	1600 V	1600 V
Rated test voltage	8.0 kV	8 kV	8.0 kV
Insulating material class	CTI 600		
Rated wiring solid wire	0.34 - 2.5 mm ²		
Rated wiring stranded wire	0.34 - 2.5 mm ²		
Rated wiring solid wire	AWG 22 - 12		
Rated wiring stranded wire	AWG 22 - 12		
Clearance and creepage distances	8.9 mm		
Solder pin dimension	1.0 mm		
Recommended pc board hole dia.	ø 1.3 mm		
Solder pin length	4 mm		
Protection category according to IEC 60529	IP 20		
Min. insul. strip length	8 mm		
Color	black		

Dimensional drawing



L = (Pole size - 1) * centerline + 5 mm (0.197 in.)

P/N

310032

Complete the part number by adding the pole size.

	02	03	04	05	06	07	08
09	10	11	12				

(Information: page 67)

Standard pole sizes



Product family Pole size Color Option
RT049xxMBWC *(Type 069)
 Centerline Design Function *old product name

- screw type terminal block, solderable, double solder pins
- centerline 10.00 mm, direction of connection 90°
- wire protector, fittable without loss of poles
- color black

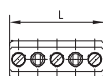
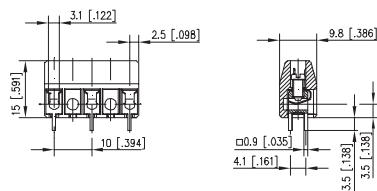
Technical data

UL 600 V / A / AWG 600 / 20 / 22 - 12

SEV 2.5 mm² 630 V / 24 A / T60

Overvoltage category	III	III	II
Pollution degree	3	2	2
Rated voltage	630 V	1600 V	1600 V
Rated test voltage	8.0 kV	8 kV	8.0 kV
Insulating material class	CTI 600		
Rated wiring solid wire	0.34 - 2.5 mm ²		
Rated wiring stranded wire	0.34 - 2.5 mm ²		
Rated wiring solid wire	AWG 22 - 12		
Rated wiring stranded wire	AWG 22 - 12		
Clearance and creepage distances	8.9 mm		
Solder pin dimension	2 x 0.9 x 0.9 mm		
Recommended pc board hole dia.	ø 1.4 mm		
Solder pin length	3.5 mm		
Protection category according to IEC 60529	IP 20		
Min. insul. strip length	8 mm		
Color	black		

Dimensional drawing



L = (Pole size - 1) * centerline + 5 mm (0.197 in.)

P/N

310692

Complete the part number by adding the pole size.

	02	03	04	05	06	07	08
09	10	11	12				

(Information: page 67)

Standard pole sizes



Product family Pole size Color Option
RT059xxHBL C *(Type 011)
 Centerline Design Function *old product name

- screw type terminal block, solderable
- centerline 10.00 mm, direction of connection 90°
- lift system, fittable without loss of poles
- color black

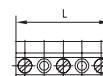
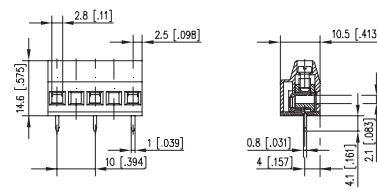
Technical data

UL 500 V / A / AWG 600 / 15 / 22 - 14

SEV 1.5 mm² 500 V / 17.5 A / T60

Overvoltage category	III	III	II
Pollution degree	3	2	2
Rated voltage	630 V	1600 V	1600 V
Rated test voltage	8.0 kV	8 kV	8.0 kV
Insulating material class	CTI 600		
Rated wiring solid wire	0.34 - 2.5 mm ²		
Rated wiring stranded wire	0.34 - 2.5 mm ²		
Rated wiring solid wire	AWG 28 - 12		
Rated wiring stranded wire	AWG 28 - 12		
Clearance and creepage distances	8.9 mm		
Solder pin dimension	0.8 x 1.0 mm		
Recommended pc board hole dia.	ø 1.4 mm		
Solder pin length	4.1 mm		
Protection category according to IEC 60529	IP 20		
Min. insul. strip length	7 mm		
Color	black		

Dimensional drawing



L = (Pole size - 1) * centerline + 5 mm (0.197 in.)

P/N

310112

Complete the part number by adding the pole size.

	02	03	04	05	06	07	08

(Information: page 67)

Standard pole sizes



Product family Pole size Color Option
RT029xxHBL C *(Type 071)
 Centerline Design Function *old product name

- screw type terminal block, solderable
- centerline 10.00 mm, direction of connection 90°
- lift system, fittable without loss of poles
- color black

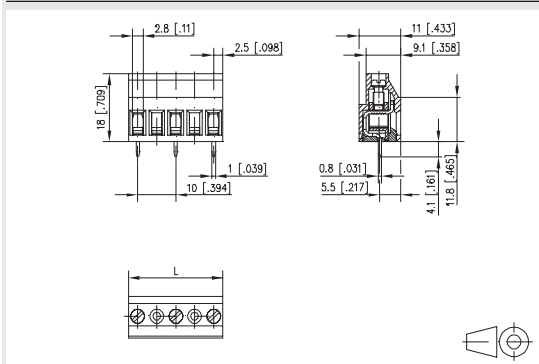
Technical data

UL 600 V / A / AWG 600 / 20 / 22 - 12

SEV 2.5 mm² 750 V / 24 A / T60

Overvoltage category	III	III	II
Pollution degree	3	2	2
Rated voltage	630 V	1600 V	1600 V
Rated test voltage	8.0 kV	8 kV	8.0 kV
Insulating material class	CTI 600		
Rated wiring solid wire	0.34 - 2.5 mm ²		
Rated wiring stranded wire	0.34 - 2.5 mm ²		
Rated wiring solid wire	AWG 22 - 12		
Rated wiring stranded wire	AWG 22 - 12		
Clearance and creepage distances	9 mm		
Solder pin dimension	0.8 x 1.0 mm		
Recommended pc board hole dia.	ø 1.4 mm		
Solder pin length	4.1 mm		
Protection category according to IEC 60529	IP 20		
Min. insul. strip length	8 mm		
Color	black		

Dimensional drawing



L = (Pole size - 1) * centerline + 5 mm (0.197 in.)

P/N 310712

Complete the part number by adding the pole size.

	02	03	04	05	06	07	08
09	10	11	12				

(Information: page 67)

Standard pole sizes



Product family Pole size Color Option
RT149xxMBL C *(Type 269)
 Centerline Design Function *old product name

- screw type terminal block, solderable, double solder pins
- centerline 10.00 mm, direction of connection 90°
- lift system, fittable without loss of poles
- color black

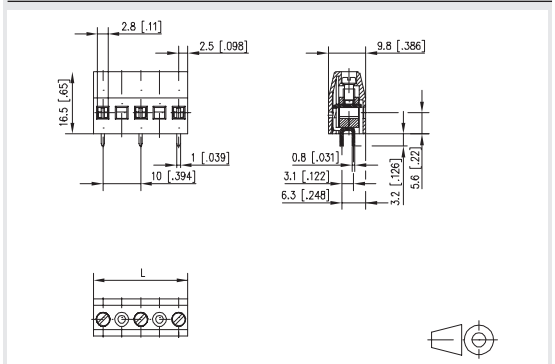
Technical data

UL 630 V / A / AWG 600 / 15 / 28 - 12

SEV 2.5 mm² 630 V / 16 A / T60

Overvoltage category	III	III	II
Pollution degree	3	2	2
Rated voltage	630 V	1600 V	1600 V
Rated test voltage	8.0 kV	8 kV	8.0 kV
Insulating material class	CTI 600		
Rated wiring solid wire	0.08 - 4 mm ²		
Rated wiring stranded wire	0.08 - 2.5 mm ²		
Rated wiring solid wire	AWG 28 - 12		
Rated wiring stranded wire	AWG 28 - 12		
Clearance and creepage distances	9 mm		
Solder pin dimension	2 x 0.8 x 1.0 mm		
Recommended pc board hole dia.	ø 1.4 mm		
Solder pin length	3.2 mm		
Protection category according to IEC 60529	IP 20		
Min. insul. strip length	8 mm		
Color	black		

Dimensional drawing



L = (Pole size - 1) * centerline + 5 mm (0.197 in.)

P/N 312692

Complete the part number by adding the pole size.

	02	03	04	05	06	07	08
09	10	11	12				

(Information: page 67)

Standard pole sizes



Product family Pole size Color Option
RT049xxUBL C *(Type 205)
Centerline Design Function *old product name

- screw type terminal block, solderable
- centerline 10.00 mm, direction of connection 55°
- lift system, fittable without loss of poles
- color black

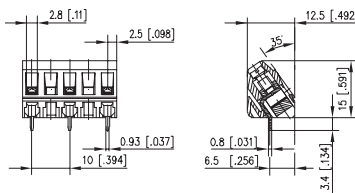
Technical data

UL us V / A / AWG 600 / 15 / 28 - 12

SEV 2.5 mm² 250 V / 24 A / T60

Overvoltage category	III	III	II
Pollution degree	3	2	2
Rated voltage	630 V	1600 V	1600 V
Rated test voltage	8.0 kV	8 kV	8.0 kV
Insulating material class	CTI 600		
Rated wiring solid wire	0.34 - 4 mm ²		
Rated wiring stranded wire	0.34 - 2.5 mm ²		
Rated wiring solid wire	AWG 28 - 12		
Rated wiring stranded wire	AWG 28 - 12		
Clearance and creepage distances	8.2 mm		
Solder pin dimension	0.8 x 1.0 mm		
Recommended pc board hole dia.	ø 1.4 mm		
Solder pin length	3.4 mm		
Protection category according to IEC 60529	IP 20		
Min. insul. strip length	7 mm		
Color	black		

Dimensional drawing



L = (Pole size - 1) * centerline + 5 mm (0.197 in.)

P/N

312052

Complete the part number by adding the pole size.

	02	03	04	05	06	07	08
09	10	11	12				

(Information: page 67)

Standard pole sizes



Product family Pole size Color Option
RT019xxVDWC *(Type 063)
Centerline Design Function *old product name

- screw type terminal block, solderable
- centerline 10.00 mm, direction of connection vertical 0°
- wire protector, fittable without loss of poles
- color gray

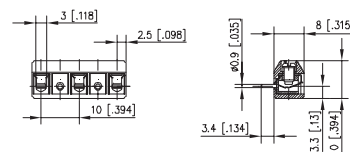
Technical data

UL us V / A / AWG 600 / 15 / 22 - 14

SEV 1.5 mm² 750 V / 13 A / T60

Overvoltage category	III	III	II
Pollution degree	3	2	2
Rated voltage	500 V	1250 V	1250 V
Rated test voltage	6.0 kV	6.0 kV	6 kV
Insulating material class	CTI 600		
Rated wiring solid wire	0.34 - 2.0 mm ²		
Rated wiring stranded wire	0.34 - 2.0 mm ²		
Rated wiring solid wire	AWG 22 - 14		
Rated wiring stranded wire	AWG 22 - 14		
Clearance and creepage distances	7.6 mm		
Solder pin dimension	0.9 mm		
Recommended pc board hole dia.	ø 1.3 mm		
Solder pin length	3.4 mm		
Protection category according to IEC 60529	IP 10		
Min. insul. strip length	6 mm		
Color	gray		

Dimensional drawing



L = (Pole size - 1) * centerline + 5 mm (0.197 in.)

P/N

310632

Complete the part number by adding the pole size.

	02	03	04	05	06	07	08
09	10	11					

(Information: page 67)

Standard pole sizes



Product family Pole size Color Option
RT099xxVBWC *(Type 147)
Centerline Design Function *old product name

- screw type terminal block, solderable
- centerline 10.00 mm, direction of connection vertical 0°
- wire protector, fittable without loss of poles
- color black

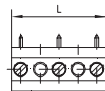
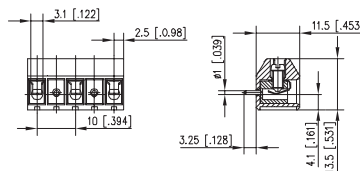
Technical data

6 us V / A / AWG 600 / 15 / 22 - 14

1.5 mm² 800 V / 17.5 A / T60

Overvoltage category	III	III	II
Pollution degree	3	2	2
Rated voltage	630 V	1600 V	1600 V
Rated test voltage	8.0 kV	8 kV	8.0 kV
Insulating material class	CTI 600		
Rated wiring solid wire	0.34 - 2.0 mm ²		
Rated wiring stranded wire	0.34 - 2.0 mm ²		
Rated wiring solid wire	AWG 22 - 14		
Rated wiring stranded wire	AWG 22 - 14		
Clearance and creepage distances	9 mm		
Solder pin dimension	1.0 mm		
Recommended pc board hole dia.	ø 1.3 mm		
Solder pin length	3.25 mm		
Protection category according to IEC 60529	IP 00		
Min. insul. strip length	8 mm		
Color	black		

Dimensional drawing



L = (Pole size - 1) * centerline + 5 mm (0.197 in.)

P/N

311472

Complete the part number by adding the pole size.

	02	03	04	05	06	07	08
09	10	11	12				

(Information: page 67)

Standard pole sizes



Product family Pole size Color Option
RT01AxxVBWC *(Type 163)
Centerline Design Function *old product name

- screw type terminal block, solderable
- centerline 10.16 mm, direction of connection vertical 0°
- wire protector, fittable without loss of poles
- color black

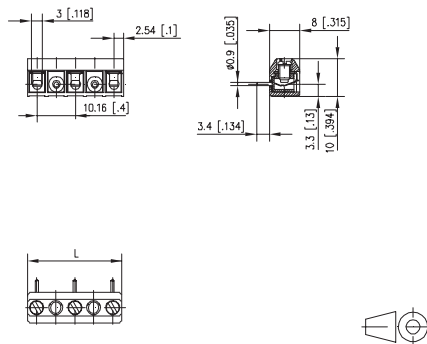
Technical data

600 V / A / AWG 600 / 15 / 28 - 14

1.5 mm² 750 V / 13 A / T60

Overvoltage category	III	III	II
Pollution degree	3	2	2
Rated voltage	500 V	1250 V	1250 V
Rated test voltage	6.0 kV	6.0 kV	6 kV
Insulating material class	CTI 600		
Rated wiring solid wire	0.34 - 2 mm ²		
Rated wiring stranded wire	0.34 - 1.5 mm ²		
Rated wiring solid wire	AWG 28 - 14		
Rated wiring stranded wire	AWG 28 - 14		
Clearance and creepage distances	7.68 mm		
Solder pin dimension	0.9 mm		
Recommended pc board hole dia.	ø 1.3 mm		
Solder pin length	3.4 mm		
Protection category according to IEC 60529	IP 10		
Min. insul. strip length	6 mm		
Color	black		

Dimensional drawing



L = (Pole size - 1) * centerline + 5.08 mm (0.200 in.)

P/N

311632

Complete the part number by adding the pole size.

<input type="text"/>	<input type="text"/>	<input type="text"/>	<input type="text"/>	<input type="text"/>	<input type="text"/>	<input type="text"/>	<input type="text"/>
	02	03	04	05	06	07	08

(Information: page 67)

Standard pole sizes

Pin Headers

for RP023xxHBWC Page

PR033xxVBHC (Type 224) 150

PM013xxVBHC (Type 424) 153

Accessories

for RP023xxHBWC Page

720158 288

720159 291

Pin Headers

for RP023xxHBNF Page

PR013xxVBHC (Type 024) 146

Accessories

for RP023xxHBNF Page

720158 288

720159 291



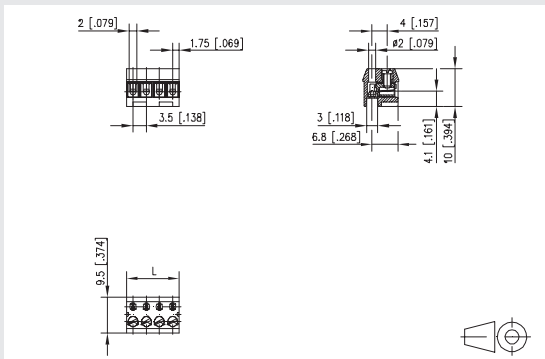
Product family	Pole size	Color	Option
RP023xxHBWC			
Centerline	Design	Function	* (Type 166) *old product name

- screw type terminal block, pluggable
- centerline 3.50 mm, direction of connection 90°
- wire protector, fittable without loss of poles
- color black
- Wire entry perpendicular to plug direction

Technical data

V / A / AWG	125 / 8 / 28 - 16		
6 A / 200 V / 2.5 kV / 3 / 0.08 - 1 mm ² / IEC 61984			
Overvoltage category	III	III	II
Pollution degree	3	2	2
Rated voltage	160 V	400 V	400 V
Rated test voltage	2.5 kV	2.5 kV	2.5 kV
Insulating material class	CTI 600		
Rated wiring solid wire	0.08 - 0.75 mm ²		
Rated wiring stranded wire	0.08 - 0.75 mm ²		
Rated wiring solid wire	AWG 28 - 18		
Rated wiring stranded wire	AWG 28 - 18		
Clearance and creepage distances	2 mm		
Protection category according to IEC 60529	IP 00		
Min. insul. strip length	5 mm		
Color	black		

Dimensional drawing



L = (Pole size - 1) * centerline + 3.5 mm (0.138 in.)

Complete the part number by adding the pole size.

P/N **311661**

	02	03	04	05	06	07	08
09	10	11	12	13	14	15	16
17	18	19	20	21	22	23	24

(Information: page 67)

Standard pole sizes



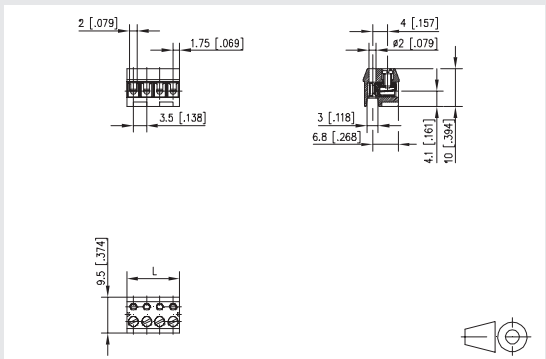
Product family	Pole size	Color	Option
RP023xxHBNF			
Centerline	Design	Function	* (Type 165) *old product name

- screw type terminal block, pluggable
- centerline 3.50 mm, direction of connection 90°
- wire protector, fittable without loss of poles
- color black

Technical data

V / A / AWG	125 / 10 / 28 - 16		
6 A / 200 V / 2.5 kV / 3 / 0.08 - 1 mm ² / IEC 61984			
Overvoltage category	III	III	II
Pollution degree	3	2	2
Rated voltage	160 V	400 V	400 V
Rated test voltage	2.5 kV	2.5 kV	2.5 kV
Insulating material class	CTI 600		
Rated wiring solid wire	0.08 - 1.5 mm ²		
Rated wiring stranded wire	0.08 - 1.5 mm ²		
Rated wiring solid wire	AWG 28 - 16		
Rated wiring stranded wire	AWG 28 - 16		
Clearance and creepage distances	2 mm		
Protection category according to IEC 60529	IP 00		
Min. insul. strip length	5 mm		
Color	black		

Dimensional drawing



L = (Pole size - 1) * centerline + 3.5 mm (0.138 in.)

Complete the part number by adding the pole size.

P/N **311651**

	02	03	04	05	06	07	08
09	10	11	12	13	14	15	16
17	18	19	20	21	22	23	24

(Information: page 67)

Standard pole sizes

Pin Headers

for RP043xxHBLC Page

PR043xxHBBN (Type 188) 146

PT093xxHBBN (Type 342) 149

PR043xxVBBN (Type 189) 151

PT093xxVBBN (Type 343) 154

Pin Headers

for RP043xxHBLD Page

PR043xxHBBN (Type 188) 146

PT093xxHBBN (Type 342) 149

PR043xxVBBN (Type 189) 151

PT093xxVBBN (Type 343) 154



Product family Pole size Color Option

RP043xxHBLC *(Type 614)

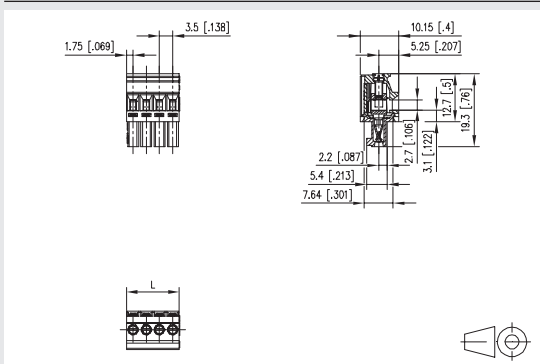
Centerline Design Function *old product name

- screw type terminal block, pluggable
- centerline 3.50 mm, direction of connection 90°
- lift system, fittable without loss of poles
- color black
- with alternative face, wire entry uncodeable side perpendicular to plug direction

Technical data

UL V / A / AWG	300 / 10 / 28 - 16		
SEV 10 A / 130 V / 2.5 kV / 3 / 0.34 - 1 mm ² / IEC 61984			
Overvoltage category	III	III	II
Pollution degree	3	2	2
Rated voltage	200 V	500 V	500 V
Rated test voltage	2.5 kV	2.5 kV	2.5 kV
Insulating material class	CTI 600		
Rated wiring solid wire	0.08 - 1.5 mm ²		
Rated wiring stranded wire	0.08 - 1.5 mm ²		
Rated wiring solid wire	AWG 28 - 16		
Rated wiring stranded wire	AWG 28 - 16		
Clearance and creepage distances	2.7 mm		
Protection category according to IEC 60529	IP 20		
Min. insul. strip length	7 mm		
Color	black		

Dimensional drawing



L = (Pole size - 1) * centerline + 3.5 mm (0.138 in.)

P/N

316141

	02	03	04	05	06	07	08
09	10	11	12	13	14	15	16
17	18	19	20	21	22	23	24

(Information: page 67)

Standard pole sizes



Product family Pole size Color Option

RP043xxHBLD *(Type 613)

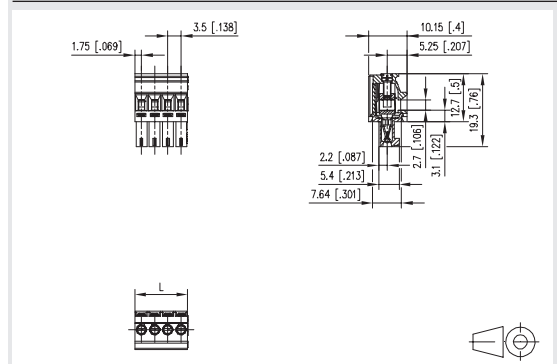
Centerline Design Function *old product name

- screw type terminal block, pluggable
- centerline 3.50 mm, direction of connection 90°
- lift system, fittable without loss of poles
- color black
- with alternative face, wire entry codeable side perpendicular to plug direction

Technical data

UL V / A / AWG	300 / 10 / 28 - 16		
SEV 10 A / 130 V / 2.5 kV / 3 / 0.34 - 1 mm ² / IEC 61984			
Overvoltage category	III	III	II
Pollution degree	3	2	2
Rated voltage	200 V	500 V	500 V
Rated test voltage	2.5 kV	2.5 kV	2.5 kV
Insulating material class	CTI 600		
Rated wiring solid wire	0.08 - 1.5 mm ²		
Rated wiring stranded wire	0.08 - 1.5 mm ²		
Rated wiring solid wire	AWG 28 - 16		
Rated wiring stranded wire	AWG 28 - 16		
Clearance and creepage distances	2.7 mm		
Protection category according to IEC 60529	IP 20		
Min. insul. strip length	7 mm		
Color	black		

Dimensional drawing



L = (Pole size - 1) * centerline + 3.5 mm (0.138 in.)

P/N

316131

	02	03	04	05	06	07	08
09	10	11	12	13	14	15	16
17	18	19	20	21	22	23	24

(Information: page 67)

Standard pole sizes

Pin Headers

for RP043xxHBLF Page

	PR043xxHBBF (Type 388)	147
	PT093xxHBBF (Type 394)	149
	PR043xxVBBF (Type 389)	151

Pin Headers

for RP043xxHBL S Page

	PR043xxHBBF (Type 388)	147
	PT093xxHBBF (Type 394)	149
	PR043xxVBBF (Type 389)	151



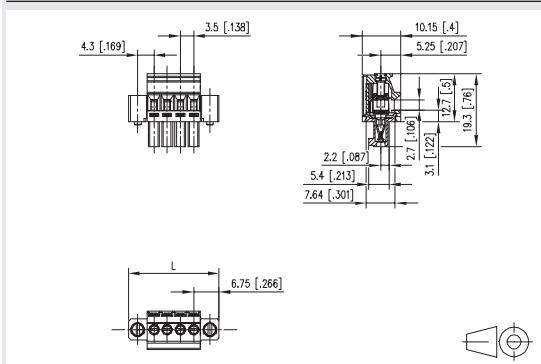
Product family Pole size Color Option
RP043xxHBLF *(Type 634)
 Centerline Design Function *old product name

- screw type terminal block, pluggable
- centerline 3.50 mm, direction of connection 90°
- lift system
- color black, mounting flange
- wire entry uncodeable side perpendicular to plug direction

Technical data

	V / A / AWG	300 / 10 / 28 - 16		
	10 A / 130 V / 2.5 kV / 3 / 0.34 - 1 mm ² / IEC 61984			
Overvoltage category	III	III	II	
Pollution degree	3	2	2	
Rated voltage	200 V	500 V	500 V	
Rated test voltage	2.5 kV	2.5 kV	2.5 kV	
Insulating material class	CTI 600			
Rated wiring solid wire	0.08 - 1.5 mm ²			
Rated wiring stranded wire	0.08 - 1.5 mm ²			
Rated wiring solid wire	AWG 28 - 16			
Rated wiring stranded wire	AWG 28 - 16			
Clearance and creepage distances	2.7 mm			
Protection category according to IEC 60529	IP 20			
Min. insul. strip length	7 mm			
Color	black			

Dimensional drawing



L = (Pole size - 1) * centerline + 13.5 mm (0.531 in.)

P/N **316341**

Complete the part number by adding the pole size.

	02	03	04	05	06	07	08
09	10	11	12	13	14	15	16
17	18	19	20	21	22	23	24

(Information: page 67)

Standard pole sizes



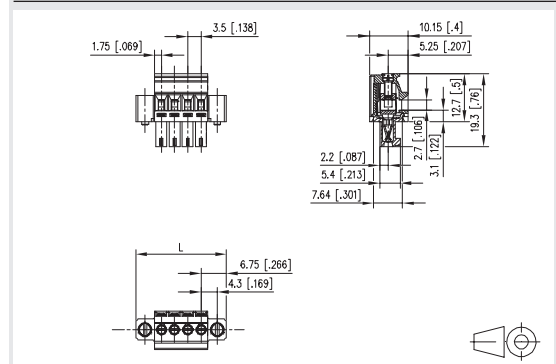
Product family Pole size Color Option
RP043xxHBL S *(Type 633)
 Centerline Design Function *old product name

- screw type terminal block, pluggable
- centerline 3.50 mm, direction of connection 90°
- lift system
- color black, mounting flange
- wire entry codeable side perpendicular to plug direction

Technical data

	V / A / AWG	300 / 10 / 28 - 16		
	10 A / 130 V / 2.5 kV / 3 / 0.34 - 1 mm ² / IEC 61984			
Overvoltage category	III	III	II	
Pollution degree	3	2	2	
Rated voltage	200 V	500 V	500 V	
Rated test voltage	2.5 kV	2.5 kV	2.5 kV	
Insulating material class	CTI 600			
Rated wiring solid wire	0.08 - 1.5 mm ²			
Rated wiring stranded wire	0.08 - 1.5 mm ²			
Rated wiring solid wire	AWG 28 - 16			
Rated wiring stranded wire	AWG 28 - 16			
Clearance and creepage distances	2.7 mm			
Protection category according to IEC 60529	IP 20			
Min. insul. strip length	7 mm			
Color	black			

Dimensional drawing



L = (Pole size - 1) * centerline + 13.5 mm (0.531 in.)

P/N **316331**

Complete the part number by adding the pole size.

	02	03	04	05	06	07	08
09	10	11	12	13	14	15	16
17	18	19	20	21	22	23	24

(Information: page 67)

Standard pole sizes

Pin Headers

for RW043xxHBL C Page

PW063xxHBBN (Type 523) 148

PW063xxVBBN (Type 524) 152

Pin Headers

for RW043xxHBL D Page

PW063xxHBBN (Type 523) 148

PW063xxVBBN (Type 524) 152



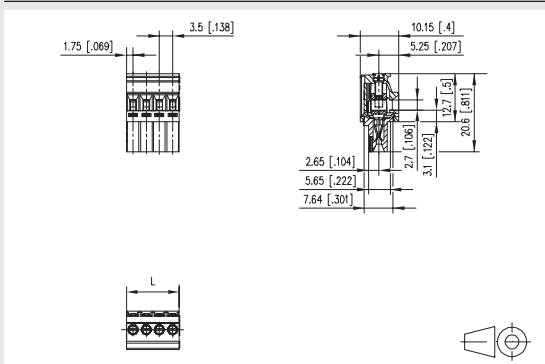
Product family Pole size Color Option
RW043xxHBL C *(Type 514)
Centerline Design Function *old product name

- screw type terminal block, pluggable
- centerline 3.50 mm, direction of connection 90°
- lift system, fittable without loss of poles
- color black
- with alternative face, wire entry uncodeable side perpendicular to plug direction

Technical data

UL V / A / AWG	300 / 10 / 28 - 16
10 A / 130 V / 2.5 kV / 3 / 0.08 - 1 mm ² / IEC 61984	
Overvoltage category	III III II
Pollution degree	3 2 2
Rated voltage	200 V 500 V 500 V
Rated test voltage	2.5 kV 2.5 kV 2.5 kV
Insulating material class	CTI 600
Rated wiring solid wire	0.08 - 1.5 mm ²
Rated wiring stranded wire	0.08 - 1.5 mm ²
Rated wiring solid wire	AWG 28 - 16
Rated wiring stranded wire	AWG 28 - 16
Clearance and creepage distances	2.7 mm
Protection category according to IEC 60529	IP 20
Min. insul. strip length	7 mm
Color	black

Dimensional drawing



L = (Pole size - 1) * centerline + 3.5 mm (0.138 in.)

P/N **315141**

Complete the part number by adding the pole size.

	02	03	04	05	06	07	08
09	10	11	12	13	14	15	16
17	18	19	20	21	22	23	24

(Information: page 67)

Standard pole sizes



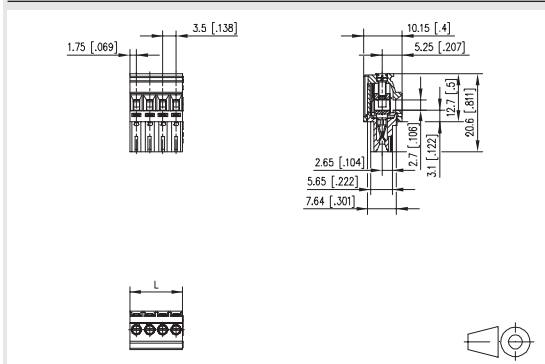
Product family Pole size Color Option
RW043xxHBL D *(Type 513)
Centerline Design Function *old product name

- screw type terminal block, pluggable
- centerline 3.50 mm, direction of connection 90°
- lift system, fittable without loss of poles
- color black
- with alternative face, wire entry codeable side perpendicular to plug direction

Technical data

UL V / A / AWG	300 / 10 / 28 - 16
10 A / 130 V / 2.5 kV / 3 / 0.08 - 1 mm ² / IEC 61984	
Overvoltage category	III III II
Pollution degree	3 2 2
Rated voltage	200 V 500 V 500 V
Rated test voltage	2.5 kV 2.5 kV 2.5 kV
Insulating material class	CTI 600
Rated wiring solid wire	0.08 - 1.5 mm ²
Rated wiring stranded wire	0.08 - 1.5 mm ²
Rated wiring solid wire	AWG 28 - 16
Rated wiring stranded wire	AWG 28 - 16
Clearance and creepage distances	2.7 mm
Protection category according to IEC 60529	IP 20
Min. insul. strip length	7 mm
Color	black

Dimensional drawing



L = (Pole size - 1) * centerline + 3.5 mm (0.138 in.)

P/N **315131**

Complete the part number by adding the pole size.

	02	03	04	05	06	07	08
09	10	11	12	13	14	15	16
17	18	19	20	21	22	23	24

(Information: page 67)

Standard pole sizes

Pin Headers

for RW043xxHBLF Page

PW063xxHBBF (Type 525) 148

PW063xxVBBF (Type 526) 153

Pin Headers

for RW043xxHBLF Page

PW063xxHBBF (Type 525) 148

PW063xxVBBF (Type 526) 153



Product family Pole size Color Option

RW043xxHBLF *(Type 534)

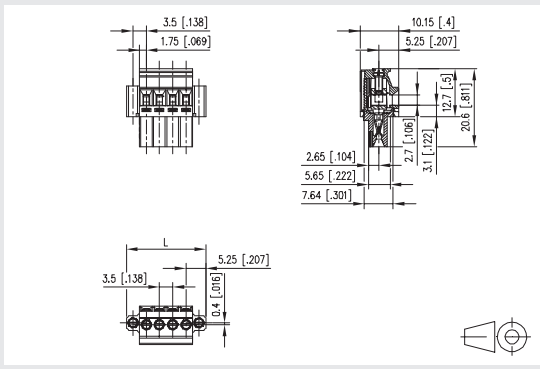
Centerline Design Function *old product name

- screw type terminal block, pluggable
- centerline 3.50 mm, direction of connection 90°
- lift system
- color black, mounting flange
- with alternative face, wire entry uncodeable side perpendicular to plug direction

Technical data

UL V / A / AWG	300 / 10 / 28 - 16
10 A / 130 V / 2.5 kV / 3 / 0.08 - 1 mm ² / IEC 61984	
Overvoltage category	III III II
Pollution degree	3 2 2
Rated voltage	200 V 500 V 500 V
Rated test voltage	2.5 kV 2.5 kV 2.5 kV
Insulating material class	CTI 600
Rated wiring solid wire	0.08 - 1.5 mm ²
Rated wiring stranded wire	0.08 - 1.5 mm ²
Rated wiring solid wire	AWG 28 - 16
Rated wiring stranded wire	AWG 28 - 16
Clearance and creepage distances	2.7 mm
Protection category according to IEC 60529	IP 20
Min. insul. strip length	7 mm
Color	black

Dimensional drawing



L = (Pole size - 1) * centerline + 10.5 mm (0.413 in.)

P/N Complete the part number by adding the pole size.

315341

	02	03	04	05	06	07	08
09	10	11	12	13	14	15	16
17	18	19	20	21	22	23	24

(Information: page 67)

Standard pole sizes



Product family Pole size Color Option

RW043xxHBLF *(Type 533)

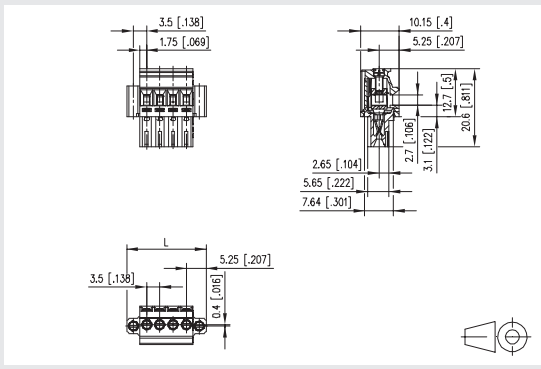
Centerline Design Function *old product name

- screw type terminal block, pluggable
- centerline 3.50 mm, direction of connection 90°
- lift system
- color black, mounting flange
- with alternative face, wire entry codeable side perpendicular to plug direction

Technical data

UL V / A / AWG	300 / 10 / 28 - 16
10 A / 130 V / 2.5 kV / 3 / 0.08 - 1 mm ² / IEC 61984	
Overvoltage category	III III II
Pollution degree	3 2 2
Rated voltage	200 V 500 V 500 V
Rated test voltage	2.5 kV 2.5 kV 2.5 kV
Insulating material class	CTI 600
Rated wiring solid wire	0.08 - 1.5 mm ²
Rated wiring stranded wire	0.08 - 1.5 mm ²
Rated wiring solid wire	AWG 28 - 16
Rated wiring stranded wire	AWG 28 - 16
Clearance and creepage distances	2.7 mm
Protection category according to IEC 60529	IP 20
Min. insul. strip length	7 mm
Color	black

Dimensional drawing



L = (Pole size - 1) * centerline + 10.5 mm (0.413 in.)

P/N Complete the part number by adding the pole size.

315331

	02	03	04	05	06	07	08
09	10	11	12	13	14	15	16
17	18	19	20	21	22	23	24

(Information: page 67)

Standard pole sizes

Pin Headers

for RP013xxVBWN Page

PT113xxHBBN (Type 182) 150

PT113xxVBBN (Type 183) 154

Accessories

for RP013xxVBWN Page

720243 296

720243 297

Pin Headers

for RP033xxVBLC Page

PR043xxHBBN (Type 188) 146

PT093xxHBBN (Type 342) 149

PR043xxVBBN (Type 189) 151

PT093xxVBBN (Type 343) 154



Product family Pole size Color Option

RP013xxVBWN *(Type 169)

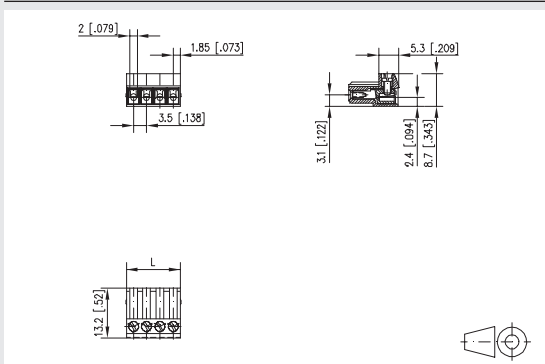
 Centerline Design Function *old product name

- screw type terminal block, pluggable
- centerline 3.50 mm, direction of connection vertical 0°
- wire protector
- color black
- wire entry codeable side perpendicular to plug direction

Technical data

5 A / 125 V / 2.5 kV / 3 / 0.08 - 1 mm ² / IEC 61984	250 / 10 / 28 - 16
9 A / 125 V / 2.5 kV / 3 / 0.08 - 1.5 mm ² / IEC 61984	
Overvoltage category	III III II
Pollution degree	3 2 2
Rated voltage	160 V 400 V 400 V
Rated test voltage	2.5 kV 2.5 kV 2.5 kV
Insulating material class	CTI 600
Rated wiring solid wire	0.08 - 1.5 mm ²
Rated wiring stranded wire	0.08 - 1 mm ²
Rated wiring solid wire	AWG 28 - 16
Rated wiring stranded wire	AWG 28 - 16
Clearance and creepage distances	2 mm
Protection category according to IEC 60529	IP 20
Min. insul. strip length	5 mm
Color	black

Dimensional drawing



L = (Pole size - 1) * centerline + 3.7 mm (0.146 in.)

P/N **311691**

Complete the part number by adding the pole size.

	02	03	04	05	06	07	08
09	10	11	12	13	14	15	16
17	18						

(Information: page 67)

Standard pole sizes



Product family Pole size Color Option

RP033xxVBLC *(Type 339)

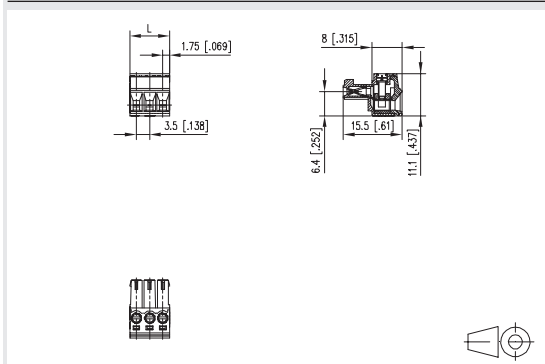
 Centerline Design Function *old product name

- screw type terminal block, pluggable
- centerline 3.50 mm, direction of connection vertical 0°
- lift system, fittable without loss of poles
- color black
- wire entry codeable side perpendicular to plug direction

Technical data

5 A / 125 V / 2.5 kV / 3 / 0.08 - 1 mm ² / IEC 61984	300 / 8 / 28 - 16
9 A / 125 V / 2.5 kV / 3 / 0.08 - 1.5 mm ² / IEC 61984	
Overvoltage category	III III II
Pollution degree	3 2 2
Rated voltage	160 V 400 V 400 V
Rated test voltage	2.5 kV 2.5 kV 2.5 kV
Insulating material class	CTI 600
Rated wiring solid wire	0.08 - 1.5 mm ²
Rated wiring stranded wire	0.08 - 1.5 mm ²
Rated wiring solid wire	AWG 28 - 16
Rated wiring stranded wire	AWG 28 - 16
Clearance and creepage distances	2.2 mm
Protection category according to IEC 60529	IP 20
Min. insul. strip length	6 mm
Color	black

Dimensional drawing



L = (Pole size - 1) * centerline + 3.5 mm (0.138 in.)

P/N **313391**

Complete the part number by adding the pole size.

	02	03	04	05	06	07	08
09	10	11	12				

(Information: page 67)

Standard pole sizes

Pin Headers

for RP034xxHBLN Page

PR044xxHBBN (Type 190) 155

PT094xxHBBN (Type 382) 156

PR044xxVBBN (Type 191) 157

PT094xxVBBN (Type 383) 158

Pin Headers

for RP034xxHBL0 Page

PR044xxHBBN (Type 190) 155

PT094xxHBBN (Type 382) 156

PR044xxVBBN (Type 191) 157

PT094xxVBBN (Type 383) 158



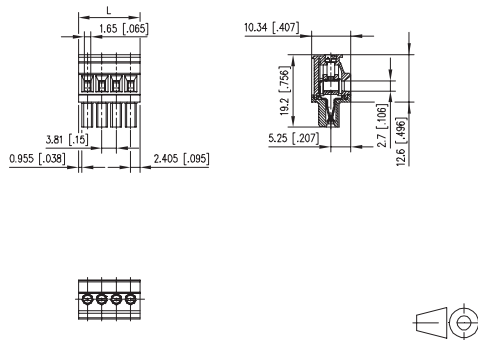
Product family Pole size Color Option
RP034xxHBLN * (Type 114)
 Centerline Design Function *old product name

- screw type terminal block, pluggable
- centerline 3.81 mm, direction of connection 90°
- lift system
- color black
- wire entry uncodeable side perpendicular to plug direction

Technical data

c V / A / AWG	300 / 11 / 28 - 16		
9 A / 160 V / 2.5 kV / 3 / 0.08 - 1.5 mm ² / IEC 61984			
Overvoltage category	III	III	II
Pollution degree	3	2	2
Rated voltage	200 V	500 V	500 V
Rated test voltage	2.5 kV	2.5 kV	2.5 kV
Insulating material class	CTI 600		
Rated wiring solid wire	0.08 - 2.0 mm ²		
Rated wiring stranded wire	0.08 - 1.5 mm ²		
Rated wiring solid wire	AWG 28 - 14		
Rated wiring stranded wire	AWG 28 - 16		
Clearance and creepage distances	2.9 mm		
Protection category according to IEC 60529	IP 20		
Min. insul. strip length	7 mm		
Color	black		

Dimensional drawing



L = (Pole size - 1) * centerline + 4.81 mm (0.189 in.)

P/N 311141

Complete the part number by adding the pole size.

	02	03	04	05	06	07	08
09	10	11	12	13	14	15	16
17	18	19	20	21			

(Information: page 67)

Standard pole sizes



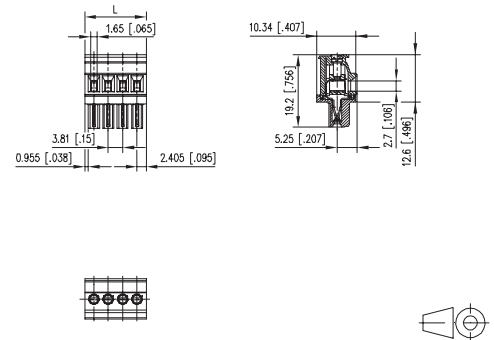
Product family Pole size Color Option
RP034xxHBL0 * (Type 113)
 Centerline Design Function *old product name

- screw type terminal block, pluggable
- centerline 3.81 mm, direction of connection 90°
- lift system
- color black
- wire entry codeable side perpendicular to plug direction

Technical data

c V / A / AWG	300 / 11 / 28 - 16		
9 A / 160 V / 2.5 kV / 3 / 0.08 - 1.5 mm ² / IEC 61984			
Overvoltage category	III	III	II
Pollution degree	3	2	2
Rated voltage	200 V	500 V	500 V
Rated test voltage	2.5 kV	2.5 kV	2.5 kV
Insulating material class	CTI 600		
Rated wiring solid wire	0.08 - 2.0 mm ²		
Rated wiring stranded wire	0.08 - 1.5 mm ²		
Rated wiring solid wire	AWG 28 - 14		
Rated wiring stranded wire	AWG 28 - 16		
Clearance and creepage distances	2.9 mm		
Protection category according to IEC 60529	IP 20		
Min. insul. strip length	7 mm		
Color	black		

Dimensional drawing



L = (Pole size - 1) * centerline + 4.81 mm (0.189 in.)

P/N 311131

Complete the part number by adding the pole size.

	02	03	04	05	06	07	08
09	10	11	12	13	14	15	16
17	18	19	20	21			

(Information: page 67)

Standard pole sizes

Pin Headers

for RP034xxVBLN	Page
PR044xxHBBN (Type 190)	155
PT094xxHBBN (Type 382)	156
PR044xxVBBN (Type 191)	157
PT094xxVBBN (Type 383)	158

Pin Headers

for RP034xxVBLF	Page
PR044xxHBBF (Type 390)	155
PT094xxHBBF (Type 392)	156
PR044xxVBBF (Type 391)	157
PT094xxVBBF (Type 393)	158



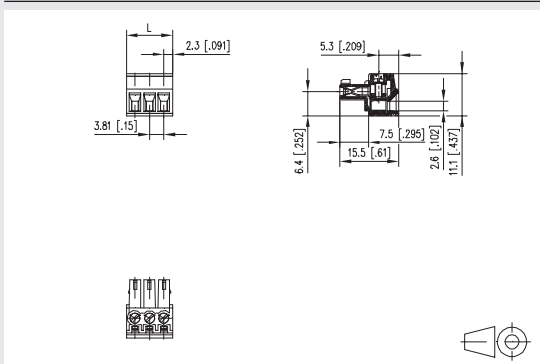
Product family	Pole size	Color	Option
RP034xxVBLN	4	VBLN	* (Type 369)
Centerline	Design	Function	*old product name

- screw type terminal block, pluggable
- centerline 3.81 mm, direction of connection vertical 0°
- lift system
- color black
- wire entry uncodeable side perpendicular to plug direction

Technical data

9 A / 160 V / 2.5 kV / 3 / 0.08 - 1.5 mm ² / IEC 61984	300 / 8 / 28 - 16
9 A / 160 V / 2.5 kV / 3 / 0.08 - 1.5 mm ² / IEC 61984	
Overvoltage category	III III II
Pollution degree	3 2 2
Rated voltage	250 V 630 V 630 V
Rated test voltage	4.0 kV 4.0 kV 4 kV
Insulating material class	CTI 600
Rated wiring solid wire	0.08 - 1.5 mm ²
Rated wiring stranded wire	0.08 - 1.5 mm ²
Rated wiring solid wire	AWG 28 - 16
Rated wiring stranded wire	AWG 22 - 16
Clearance and creepage distances	3.5 mm
Protection category according to IEC 60529	IP 20
Min. insul. strip length	7 mm
Color	black

Dimensional drawing



L = (Pole size - 1) * centerline + 4.6 mm (0.181 in.)

P/N **313691**

Complete the part number by adding the pole size.

	02	03	04	05	06	07	08
09	10	11	12	13	14	15	16
17	18	19	20	21	22	23	24

(Information: page 67)

Standard pole sizes



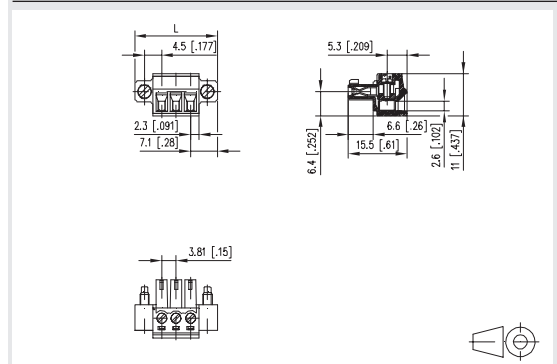
Product family	Pole size	Color	Option
RP034xxVBLF	4	VBLF	* (Type 379)
Centerline	Design	Function	*old product name

- screw type terminal block, pluggable
- centerline 3.81 mm, direction of connection vertical 0°
- lift system
- color black, mounting flange
- wire entry uncodeable side perpendicular to plug direction

Technical data

9 A / 160 V / 2.5 kV / 3 / 0.08 - 1.5 mm ² / IEC 61984	300 / 8 / 28 - 16
9 A / 160 V / 2.5 kV / 3 / 0.08 - 1.5 mm ² / IEC 61984	
Overvoltage category	III III II
Pollution degree	3 2 2
Rated voltage	250 V 630 V 630 V
Rated test voltage	4.0 kV 4.0 kV 4 kV
Insulating material class	CTI 600
Rated wiring solid wire	0.08 - 1.5 mm ²
Rated wiring stranded wire	0.08 - 1.5 mm ²
Rated wiring solid wire	AWG 28 - 16
Rated wiring stranded wire	AWG 22 - 16
Clearance and creepage distances	3.5 mm
Protection category according to IEC 60529	IP 20
Min. insul. strip length	7 mm
Color	black

Dimensional drawing



L = (Pole size - 1) * centerline + 14.2 mm (0.559 in.)

P/N **313791**

Complete the part number by adding the pole size.

	02	03	04	05	06	07	08
09	10	11	12	13	14	15	16
17	18	19	20	21	22	23	24

(Information: page 67)

Standard pole sizes

Pin Headers

for RP025xxIBWC	Page
PT055xxHBHC (Type 039)	163
PR015xxVBHC (Type 017)	166
PR015xxVBVC (Type 027)	166
PM035xxVBHC (Type 417)	170
PT065xxVBEN (Type 041)	172
PT065xxVBVN (Type 042)	172

Accessories

for RP025xxIBWC	Page
710084	285
710085	285
710121	290
710122	290
716846	293

Pin Headers

for RP025xxIBWU	Page
PT055xxHBHC (Type 039)	163
PR015xxVBHC (Type 017)	166
PR015xxVBVC (Type 027)	166
PM035xxVBHC (Type 417)	170
PT065xxVBEN (Type 041)	172
PT065xxVBVN (Type 042)	172

Accessories

for RP025xxIBWU	Page
750150	286
750151	286
710121	290
710122	290
716846	293



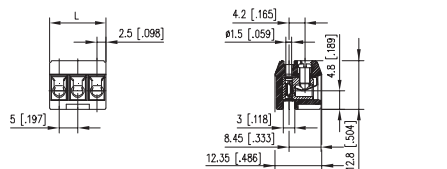
Product family	Pole size	Color	Option
RP025xx	I	BWC	*(Type 007)
Centerline	Design	Function	*old product name

- screw type terminal block, pluggable
- centerline 5.00 mm, direction of connection 90°
- wire protector, fittable without loss of poles
- color black
- wire entry perpendicular to plug direction, lamella

Technical data

10 A / V / A / AWG	300 / 15 / 22 - 12
10 A / 250 V / 2.5 kV / 3 / 0.33 - 2.5 mm ² / IEC 61984	
Overvoltage category	III III II
Pollution degree	3 2 2
Rated voltage	160 V 400 V 400 V
Rated test voltage	2.5 kV 2.5 kV 2.5 kV
Insulating material class	CTI 600
Rated wiring solid wire	0.33 - 2.5 mm ²
Rated wiring stranded wire	0.33 - 2.5 mm ²
Rated wiring solid wire	AWG 22 - 12
Rated wiring stranded wire	AWG 22 - 12
Clearance and creepage distances	2.3 mm
Protection category according to IEC 60529	IP 20
Min. insul. strip length	6 mm
Color	black

Dimensional drawing



L = (Pole size - 1) * centerline + 5 mm (0.197 in.)

P/N **310071**

Complete the part number by adding the pole size.

	02	03	04	05	06	07	08
09	10	11	12	13	14	15	16
17	18	19	20	21	22	23	24

(Information: page 67)

Standard pole sizes



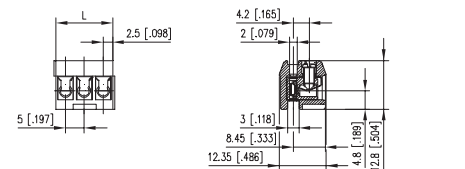
Product family	Pole size	Color	Option
RP025xx	I	BWU	*(Type 077)
Centerline	Design	Function	*old product name

- screw type terminal block, pluggable
- centerline 5.00 mm, direction of connection 90°
- wire protector, modular
- color black
- wire entry perpendicular to plug direction, lamella

Technical data

10 A / V / A / AWG	300 / 15 / 22 - 14
10 A / 250 V / 2.5 kV / 3 / 0.33 - 2.5 mm ² / IEC 61984	
Overvoltage category	III III II
Pollution degree	3 2 2
Rated voltage	160 V 400 V 400 V
Rated test voltage	2.5 kV 2.5 kV 2.5 kV
Insulating material class	CTI 600
Rated wiring solid wire	0.33 - 2.0 mm ²
Rated wiring stranded wire	0.33 - 2.0 mm ²
Rated wiring solid wire	AWG 22 - 14
Rated wiring stranded wire	AWG 22 - 14
Clearance and creepage distances	2.3 mm
Protection category according to IEC 60529	IP 00
Min. insul. strip length	6 mm
Color	black

Dimensional drawing



L = (Pole size - 1) * centerline + 5 mm (0.197 in.)

P/N **310771**

Complete the part number by adding the pole size.

	02	03					

(Information: page 67)

Standard pole sizes

Pin Headers

for RP025xxHBWC	Page
PT055xxHBHC (Type 039)	163
PR015xxVBHC (Type 017)	166
PR015xxVBVC (Type 027)	166
PM035xxVBHC (Type 417)	170
PT065xxVBEN (Type 041)	172
PT065xxVBVN (Type 042)	172

Accessories

for RP025xxHBWC	Page
710084	285
710085	285
710121	290
710122	290
716846	293

Accessories

for RP025xxMBWC	Page
710084	285
710085	285
710121	290
710122	290
716846	293



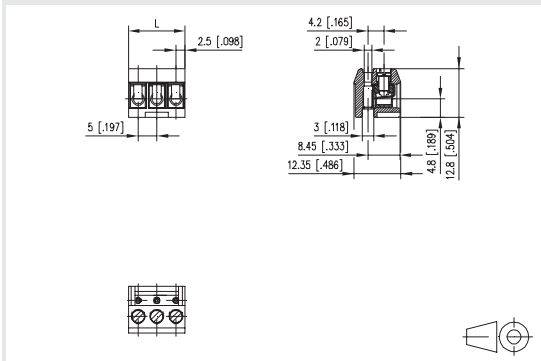
Product family	Pole size	Color	Option		
RP025xxHBWC	5	00	*(Type 107)		
Centerline	Design	Function	*old product name		

- screw type terminal block, pluggable
- centerline 5.00 mm, direction of connection 90°
- wire protector, fittable without loss of poles
- color black
- Wire entry perpendicular to plug direction

Technical data

	V / A / AWG	300 / 10 / 28 - 12		
	10 A / 250 V / 2.5 kV / 3 / 0.33 - 2.5 mm ² / IEC 61984			
Overvoltage category	III	III	II	
Pollution degree	3	2	2	
Rated voltage	160 V	400 V	400 V	
Rated test voltage	2.5 kV	2.5 kV	2.5 kV	
Insulating material class	CTI 600			
Rated wiring solid wire	0.08 - 2.5 mm ²			
Rated wiring stranded wire	0.08 - 2.5 mm ²			
Rated wiring solid wire	AWG 28 - 12			
Rated wiring stranded wire	AWG 28 - 12			
Clearance and creepage distances	2.3 mm			
Protection category according to IEC 60529	IP 00			
Min. insul. strip length	6 mm			
Color	black			

Dimensional drawing



L = (Pole size - 1) * centerline + 5 mm (0.197 in.)

P/N **311071**

Complete the part number by adding the pole size.

	02	03	04	05	06	07	08
09	10	11	12	13	14	15	16
17	18	19	20	21	22	23	24

(Information: page 67)

Standard pole sizes



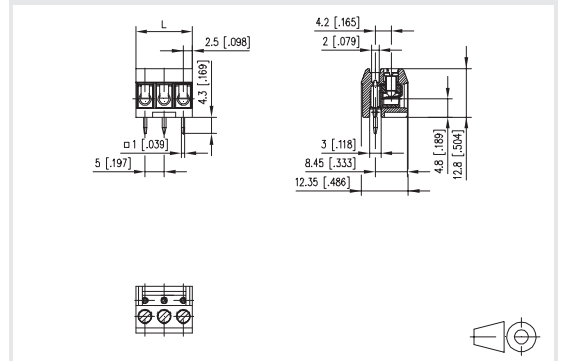
Product family	Pole size	Color	Option		
RP025xxMBWC	5	00	*(Type 108)		
Centerline	Design	Function	*old product name		

- screw type terminal block, pluggable
- centerline 5.00 mm, direction of connection 90°
- wire protector, fittable without loss of poles
- color black
- wire entry perpendicular to plug direction, factory inserted pins

Technical data

	V / A / AWG	300 / 10 / 28 - 12		
	10 A / 250 V / 2.5 kV / 3 / 0.33 - 2.5 mm ² / IEC 61984			
Overvoltage category	III	III	II	
Pollution degree	3	2	2	
Rated voltage	160 V	400 V	400 V	
Rated test voltage	2.5 kV	2.5 kV	2.5 kV	
Insulating material class	CTI 600			
Rated wiring solid wire	0.08 - 2.5 mm ²			
Rated wiring stranded wire	0.08 - 2.5 mm ²			
Rated wiring solid wire	AWG 28 - 12			
Rated wiring stranded wire	AWG 28 - 12			
Clearance and creepage distances	2.3 mm			
Solder pin dimension	1.0 x 1.0 mm			
Recommended pc board hole dia.	ø 1.5 mm			
Solder pin length	4.3 mm			
Protection category according to IEC 60529	IP 00			
Min. insul. strip length	6 mm			
Color	black			

Dimensional drawing



L = (Pole size - 1) * centerline + 5 mm (0.197 in.)

P/N **311081**

Complete the part number by adding the pole size.

	02	03	04	05	06	07	08
09	10	11	12	13	14	15	16
17	18	19	20	21	22	23	24

(Information: page 67)

Standard pole sizes

Pin Headers

for RP025xxHBLC Page 168
 PR055xxVBHC (Type 048) 168

Accessories

for RP025xxHBLC Page 287
 750313 287
 750314 287
 720159 291

Pin Headers

for RP025xxIBLC Page 166
 PR015xxVBVC (Type 027) 166

Accessories

for RP025xxIBLC Page 287
 750313 287
 750314 287
 720161 292
 716846 293



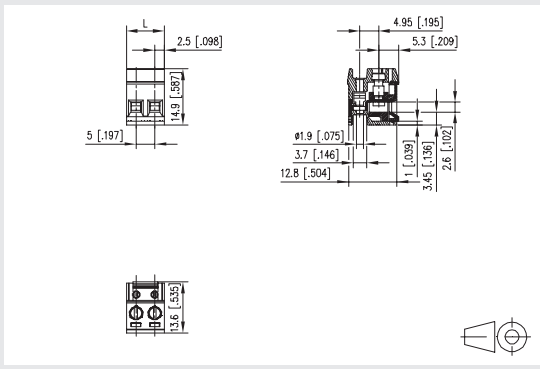
Product family Pole size Color Option
RP025xxHBLC *(Type 207)
 Centerline Design Function *old product name

- screw type terminal block, pluggable
- centerline 5.00 mm, direction of connection 90°
- lift system, fittable without loss of poles
- color black
- Wire entry perpendicular to plug direction

Technical data

cULus V / A / AWG	300 / 15 / 28 - 12		
SEV 10 A / 250 V / 2.5 kV / 3 / 0.08 - 2.5 mm ² / IEC 61984			
Overvoltage category	III	III	II
Pollution degree	3	2	2
Rated voltage	250 V	630 V	630 V
Rated test voltage	4.0 kV	4.0 kV	4 kV
Insulating material class	CTI 600		
Rated wiring solid wire	0.08 - 2.5 mm ²		
Rated wiring stranded wire	0.08 - 2.5 mm ²		
Rated wiring solid wire	AWG 28 - 12		
Rated wiring stranded wire	AWG 28 - 12		
Clearance and creepage distances	3.2 mm		
Protection category according to IEC 60529	IP 20		
Min. insul. strip length	6 mm		
Color	black		

Dimensional drawing



L = (Pole size - 1) * centerline + 5 mm (0.197 in.)

P/N Complete the part number by adding the pole size.
312071

02	03	04	05	06	07	08	
09	10	11	12	13	14	15	16
17	18	19	20	21	22	23	24

 (Information: page 67)

Standard pole sizes



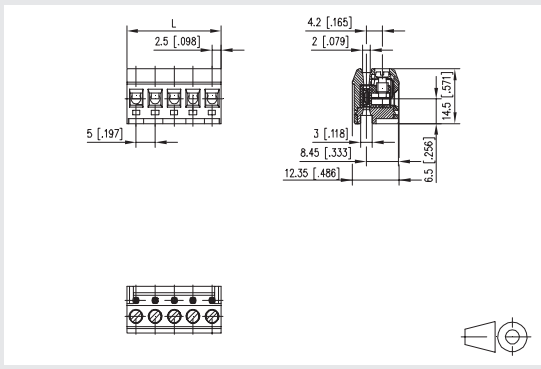
Product family Pole size Color Option
RP025xxIBLC *(Type 137)
 Centerline Design Function *old product name

- screw type terminal block, pluggable
- centerline 5.00 mm, direction of connection 90°
- lift system, fittable without loss of poles
- color black
- wire entry perpendicular to plug direction, lamella

Technical data

cULus V / A / AWG	300 / 15 / 26 - 12		
SEV 10 A / 250 V / 2.5 kV / 3 / 0.12 - 2.5 mm ² / IEC 61984			
Overvoltage category	III	III	II
Pollution degree	3	2	2
Rated voltage	250 V	630 V	630 V
Rated test voltage	4.0 kV	4.0 kV	4 kV
Insulating material class	CTI 600		
Rated wiring solid wire	0.13 - 2.5 mm ²		
Rated wiring stranded wire	0.13 - 2.5 mm ²		
Rated wiring solid wire	AWG 26 - 12		
Rated wiring stranded wire	AWG 26 - 12		
Clearance and creepage distances	3.2 mm		
Protection category according to IEC 60529	IP 20		
Min. insul. strip length	8 mm		
Color	black		

Dimensional drawing



L = (Pole size - 1) * centerline + 5 mm (0.197 in.)

P/N Complete the part number by adding the pole size.
311371

02	03	04	05	06	07	08	
09	10	11	12	13	14	15	16
17	18	19	20	21	22	23	24

 (Information: page 67)

Standard pole sizes

Pin Headers

for RP095xxRBWC Page

PM025xxVBHC (Type 318) 167

PR035xxVBHC (Type 046) 168

Pin Headers

for RP095xxBBWC Page

PM025xxVBHC (Type 318) 167

PR035xxVBHC (Type 046) 168



Product family Pole size Color Option

RP095xxRBWC * (Type 157 with snap-in technique) *old product name

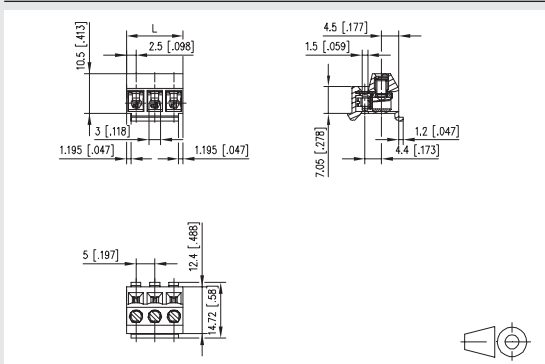
Centerline Design Function

- screw type terminal block, pluggable
- centerline 5.00 mm, direction of connection 90°
- wire protector, fittable without loss of poles
- color black
- pluggable, top side pin insertion, snap-in technique for mounting into a housing

Technical data

UL V / A / AWG	300 / 5 / 28 - 20		
SEV 13.5 A / 250 V / 4 kV / 3 / 0.08 - 2.5 mm ² / IEC 61984			
Overvoltage category	III	III	II
Pollution degree	3	2	2
Rated voltage	320 V	800 V	800 V
Rated test voltage	4 kV	4.0 kV	4 kV
Insulating material class	CTI 600		
Rated wiring solid wire	0.08 - 2.5 mm ²		
Rated wiring stranded wire	0.08 - 2.5 mm ²		
Rated wiring solid wire	AWG 28 - 16		
Rated wiring stranded wire	AWG 28 - 16		
Clearance and creepage distances	4.15 mm		
Protection category according to IEC 60529	IP 20		
Min. insul. strip length	6 mm		
Color	black		

Dimensional drawing



L = (Pole size - 1) * centerline + 5 mm (0.197 in.)

P/N

311571

Complete the part number by adding the pole size.

	02	03	04	05	06	07	08
09	10	11	12	13	14	15	16
17	18	19	20	21	22	23	24

(Information: page 67)

Standard pole sizes



Product family Pole size Color Option

RP095xxBBWC * (Type 157 without ridge) *old product name

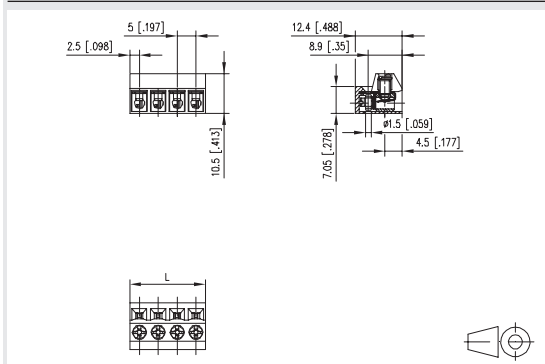
Centerline Design Function

- screw type terminal block, pluggable
- centerline 5.00 mm, direction of connection 90°
- wire protector, fittable without loss of poles
- color black
- flat bottom for minimal installation height

Technical data

UL V / A / AWG	300 / 5 / 28 - 20		
SEV 13.5 A / 250 V / 4 kV / 3 / 0.08 - 2.5 mm ² / IEC 61984			
Overvoltage category	III	III	II
Pollution degree	3	2	2
Rated voltage	320 V	800 V	800 V
Rated test voltage	4 kV	4.0 kV	4 kV
Insulating material class	CTI 600		
Rated wiring solid wire	0.08 - 2.5 mm ²		
Rated wiring stranded wire	0.08 - 2.5 mm ²		
Rated wiring solid wire	AWG 28 - 16		
Rated wiring stranded wire	AWG 28 - 16		
Clearance and creepage distances	4.15 mm		
Protection category according to IEC 60529	IP 20		
Min. insul. strip length	6 mm		
Color	black		

Dimensional drawing



L = (Pole size - 1) * centerline + 5 mm (0.197 in.)

P/N

311571 -002730

Complete the part number by adding the pole size.

	02	03	04	05	06	07	08
09	10	11	12	13	14	15	16
17	18	19	20	21	22	23	24

(Information: page 67)

Standard pole sizes

Pin Headers

for RP095xxHBWC Page

PM025xxVBHC (Type 318) 167

PR035xxVBHC (Type 046) 168

Pin Headers

for RP015xxWBWC Page

PT045xxHBEC (Type 029) 161

PT045xxHBBN (Type 030) 162

PT045xxHBVC (Type 031) 162

PT045xxVBEC (Type 019) 171

PT045xxVBBN (Type 020) 171

Accessories

for RP015xxWBWC Page

716906 293



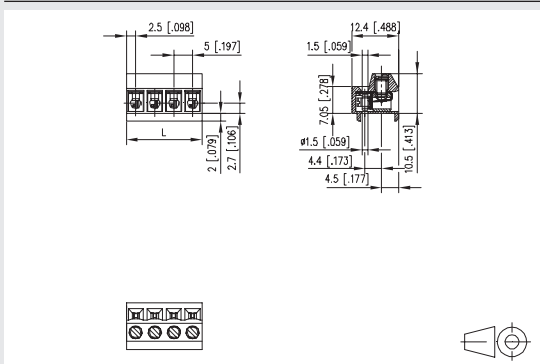
Product family Pole size Color Option
RP095xxHBWC * (Type 157 with ridge)
Centerline Design Function *old product name

- screw type terminal block, pluggable
- centerline 5.00 mm, direction of connection 90°
- wire protector, fittable without loss of poles
- color black
- with ridge

Technical data

c US V / A / AWG	300 / 5 / 28 - 20		
13.5 A / 250 V / 4 kV / 3 / 0.08 - 2.5 mm ² / IEC 61984			
Overvoltage category	III	III	II
Pollution degree	3	2	2
Rated voltage	320 V	800 V	800 V
Rated test voltage	4 kV	4.0 kV	4 kV
Insulating material class	CTI 600		
Rated wiring solid wire	0.08 - 2.5 mm ²		
Rated wiring stranded wire	0.08 - 2.5 mm ²		
Rated wiring solid wire	AWG 28 - 16		
Rated wiring stranded wire	AWG 28 - 16		
Clearance and creepage distances	4.15 mm		
Protection category according to IEC 60529	IP 20		
Min. insul. strip length	6 mm		
Color	black		

Dimensional drawing



L = (Pole size - 1) * centerline + 5 mm (0.197 in.)

P/N Complete the part number by adding the pole size.

311571 -002740

	02	03	04	05	06	07	08
09	10	11	12	13	14	15	16
17	18	19	20	21	22	23	24

(Information: page 67)

Standard pole sizes



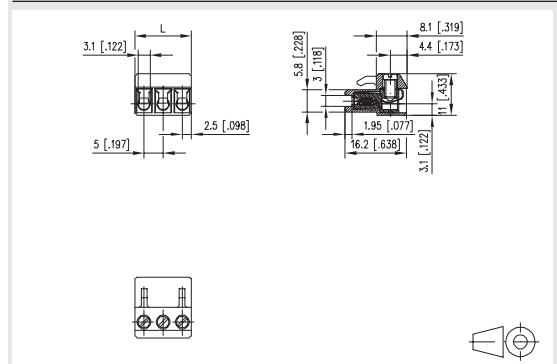
Product family Pole size Color Option
RP015xxWBWC * (Type 009)
Centerline Design Function *old product name

- screw type terminal block, pluggable
- centerline 5.00 mm, direction of connection vertical 0°
- wire protector, fittable without loss of poles
- color black
- wire entry uncodeable side parallel to plug direction, lamella

Technical data

c US V / A / AWG	300 / 15 / 22 - 12		
13.5 A / 150 V / 2.5 kV / 3 / 0.08 - 2.5 mm ² / IEC 61984			
Overvoltage category	III	III	II
Pollution degree	3	2	2
Rated voltage	125 V	320 V	320 V
Rated test voltage	2.5 kV	2.5 kV	2.5 kV
Insulating material class	CTI 600		
Rated wiring solid wire	0.33 - 2.5 mm ²		
Rated wiring stranded wire	0.33 - 2.5 mm ²		
Rated wiring solid wire	AWG 22 - 12		
Rated wiring stranded wire	AWG 22 - 12		
Clearance and creepage distances	1.9 mm		
Protection category according to IEC 60529	IP 20		
Min. insul. strip length	6 mm		
Color	black		

Dimensional drawing



L = (Pole size - 1) * centerline + 5 mm (0.197 in.)

P/N Complete the part number by adding the pole size.

310091

	02	03	04	05	06	07	08
09	10	11	12	13	14	15	16
17	18	19	20	21			

(Information: page 67)

Standard pole sizes

Pin Headers

for RP015xxWBLC	Page
PT045xxHBEC (Type 029)	161
PT045xxHBBN (Type 030)	162
PT045xxHBVC (Type 031)	162
PT045xxVBEC (Type 019)	171
PT045xxVBBN (Type 020)	171

Accessories

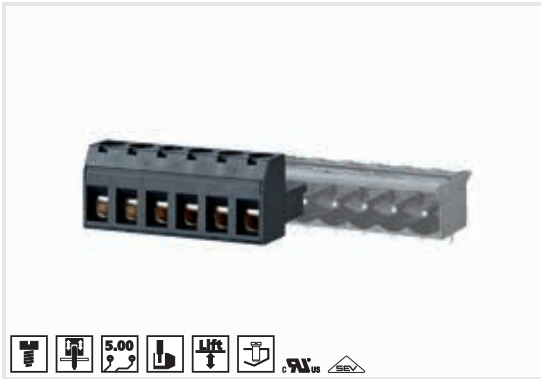
for RP015xxWBLC	Page
716906	293

Pin Headers

for RP015xxVBLC	Page
PR065xxHBEC (Type 476)	159
PR065xxHBBN (Type 176)	159
PR075xxHBEL (Type 337)	160
PR075xxHBER (Type 338)	161
PT105xxHGDN (Type 280)	163
PT115xxHBEC (Type 329)	164
PT115xxHBBN (Type 330)	164
PT165xxHGDN (Type 276)	165
PR065xxVBEC (Type 477)	169
PR065xxVBBN (Type 177)	169
PT105xxVGDN (Type 278)	173
PT115xxVBEC (Type 319)	173
PT115xxVBBN (Type 320)	174
PT165xxVGDN (Type 274)	175
PT175xxVGDN (Type 270)	175

Accessories

for RP015xxVBLC	Page
700025	298



RP015xxWBLC * (Type 049)

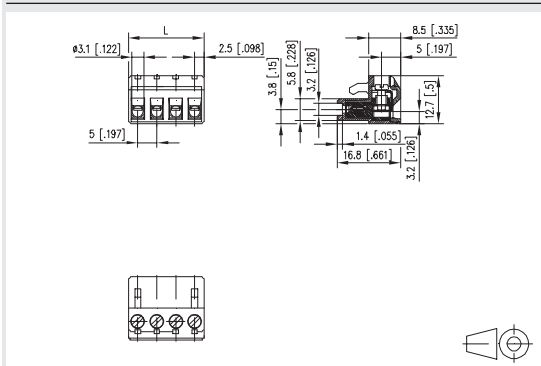
 Centerline Design Function *old product name

- screw type terminal block, pluggable
- centerline 5.00 mm, direction of connection vertical 0°
- lift system, fittable without loss of poles
- color black
- wire entry codeable side parallel to plug direction, lamella

Technical data

UL V / A / AWG	300 / 15 / 22 - 12
SEV 13.5 A / 320 V / 4 kV / 3 / 0.08 - 2.5 mm ² / IEC 61984	
Overvoltage category	III III II
Pollution degree	3 2 2
Rated voltage	320 V 800 V 800 V
Rated test voltage	4 kV 4.0 kV 4 kV
Insulating material class	CTI 600
Rated wiring solid wire	0.33 - 2.5 mm ²
Rated wiring stranded wire	0.33 - 2.5 mm ²
Rated wiring solid wire	AWG 22 - 12
Rated wiring stranded wire	AWG 22 - 12
Clearance and creepage distances	4.7 mm
Protection category according to IEC 60529	IP 20
Min. insul. strip length	6 mm
Color	black

Dimensional drawing



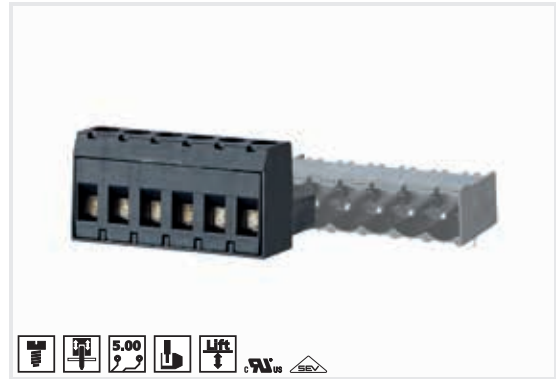
L = (Pole size - 1) * centerline + 5 mm (0.197 in.)

P/N **310491**

Complete the part number by adding the pole size.

	02	03	04	05	06	07	08
09	10	11	12	13	14	15	16
17	18	19	20	21	22	23	24

(Information: page 67)



RP015xxVBLC * (Type 349)

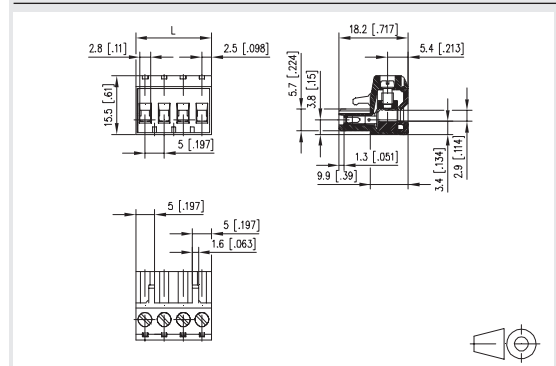
 Centerline Design Function *old product name

- screw type terminal block, pluggable
- centerline 5.00 mm, direction of connection vertical 0°
- lift system, fittable without loss of poles
- color black
- wire entry codeable side perpendicular to plug direction

Technical data

UL V / A / AWG	300 / 16 / 28 - 12
SEV 13.5 A / 320 V / 4 kV / 3 / 0.08 - 2.5 mm ² / IEC 61984	
Overvoltage category	III III II
Pollution degree	3 2 2
Rated voltage	250 V 630 V 630 V
Rated test voltage	4.0 kV 4.0 kV 4 kV
Insulating material class	CTI 600
Rated wiring solid wire	0.08 - 2.5 mm ²
Rated wiring stranded wire	0.08 - 2.5 mm ²
Rated wiring solid wire	AWG 28 - 12
Rated wiring stranded wire	AWG 28 - 12
Clearance and creepage distances	3.6 mm
Protection category according to IEC 60529	IP 20
Min. insul. strip length	8 mm
Color	black

Dimensional drawing



L = (Pole size - 1) * centerline + 5 mm (0.197 in.)

P/N **313491**

Complete the part number by adding the pole size.

	02	03	04	05	06	07	08
09	10	11	12	13	14	15	16
17	18	19	20	21	22	23	24

(Information: page 67)

Pin Headers

for RP015xxSBLC Page

	PR065xxHBEC (Type 476)	159
	PR065xxHBBN (Type 176)	159
	PR075xxHBEL (Type 337)	160
	PR075xxHBER (Type 338)	161
	PT105xxHGDN (Type 280)	163
	PT115xxHBEC (Type 329)	164
	PT115xxHBBN (Type 330)	164
	PT165xxHGDN (Type 276)	165
	PR065xxVBEC (Type 477)	169
	PR065xxVBBN (Type 177)	169
	PT105xxVGDN (Type 278)	173
	PT115xxVBEC (Type 319)	173
	PT115xxVBBN (Type 320)	174
	PT165xxVGDN (Type 274)	175
	PT175xxVGDN (Type 270)	175

Accessories

for RP015xxSBLC Page
700025 298

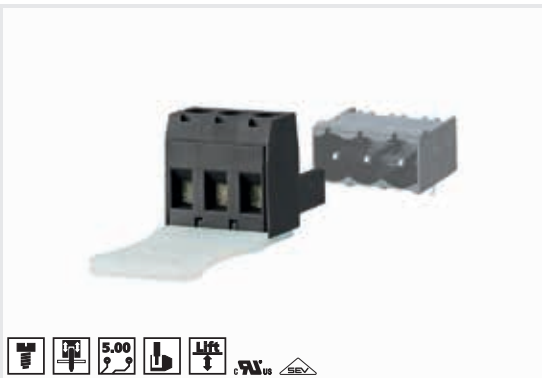
Pin Headers

for RP015xxVBLF Page

	PR065xxHBBF (Type 396)	160
	PT115xxHBBF (Type 336)	165
	PR065xxVBBF (Type 397)	170
	PT115xxVBBF (Type 335)	174

Accessories

for RP015xxVBLF Page
700025 298



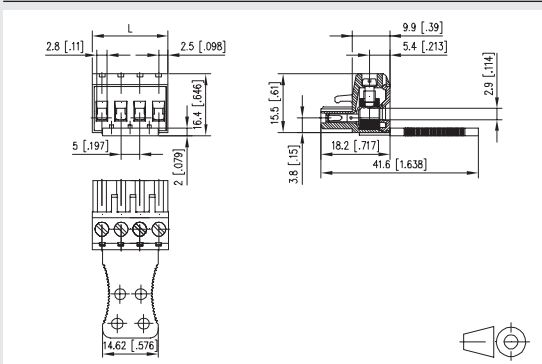
Product family Pole size Color Option
RP015xxSBLC *(Type 350)
 Centerline Design Function *old product name

- screw type terminal block, pluggable
- centerline 5.00 mm, direction of connection vertical 0°
- lift system, fittable without loss of poles
- color black
- wire entry uncodeable side parallel to plug direction, draw-off accessory

Technical data

	V / A / AWG	300 / 16 / 28 - 12	
	13.5 A / 320 V / 4 kV / 3 / 0.08 - 2.5 mm ² / IEC 61984		
Overvoltage category	III	III	II
Pollution degree	3	2	2
Rated voltage	250 V	630 V	630 V
Rated test voltage	4.0 kV	4.0 kV	4 kV
Insulating material class	CTI 600		
Rated wiring solid wire	0.08 - 2.5 mm ²		
Rated wiring stranded wire	0.08 - 2.5 mm ²		
Rated wiring solid wire	AWG 28 - 12		
Rated wiring stranded wire	AWG 28 - 12		
Clearance and creepage distances	3.6 mm		
Protection category according to IEC 60529	IP 00		
Min. insul. strip length	8 mm		
Color	black		

Dimensional drawing



L = (Pole size - 1) * centerline + 5 mm (0.197 in.)

P/N

313501

Complete the part number by adding the pole size.

	03	04	05	06	07	08	09
10	11	12					

(Information: page 67)

Standard pole sizes



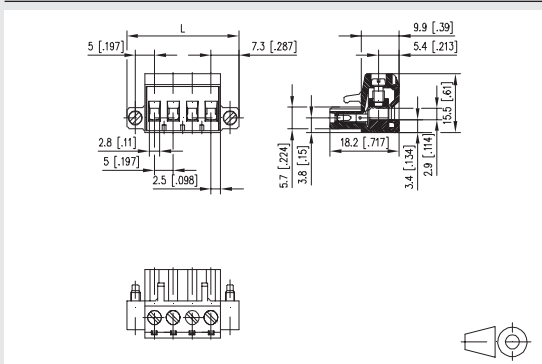
Product family Pole size Color Option
RP015xxVBLF *(Type 351)
 Centerline Design Function *old product name

- screw type terminal block, pluggable
- centerline 5.00 mm, direction of connection vertical 0°
- lift system
- color black, mounting flange
- wire entry codeable side perpendicular to plug direction

Technical data

	V / A / AWG	300 / 16 / 28 - 12	
	13.5 A / 320 V / 4 kV / 3 / 0.08 - 2.5 mm ² / IEC 61984		
Overvoltage category	III	III	II
Pollution degree	3	2	2
Rated voltage	250 V	630 V	630 V
Rated test voltage	4.0 kV	4.0 kV	4 kV
Insulating material class	CTI 600		
Rated wiring solid wire	0.08 - 2.5 mm ²		
Rated wiring stranded wire	0.08 - 2.5 mm ²		
Rated wiring solid wire	AWG 28 - 12		
Rated wiring stranded wire	AWG 28 - 12		
Clearance and creepage distances	3.6 mm		
Protection category according to IEC 60529	IP 20		
Min. insul. strip length	8 mm		
Color	black		

Dimensional drawing



L = (Pole size - 1) * centerline + 14.6 mm (0.575 in.)

P/N

313511

Complete the part number by adding the pole size.

	02	03	04	05	06	07	08
09	10	11	12	13	14	15	16

(Information: page 67)

Standard pole sizes

Pin Headers

for RP085xxVBLC	Page
PR075xxHBEL (Type 337)	160
PR075xxHBER (Type 338)	161
PT045xxHBBN (Type 030)	162
PT045xxHBVC (Type 031)	162
PT045xxVBBN (Type 020)	171

Accessories

for RP085xxVBLC 700025	Page
	298

Pin Headers

for RP035xxIBLN	Page
PT045xxHBEC (Type 029)	161
PT045xxHBBN (Type 030)	162
PT045xxHBVC (Type 031)	162
PT045xxVBEC (Type 019)	171
PT045xxVBBN (Type 020)	171



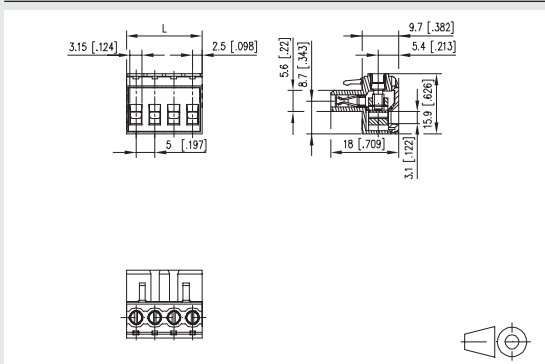
Product family	Pole size	Color	Option
RP085xxVBLC			
Centerline	Design	Function	*old product name

- screw type terminal block, pluggable
- centerline 5.00 mm, direction of connection vertical 0°
- lift system, fittable without loss of poles
- color black

Technical data

300 V / A / AWG	300 / 17 / 24 - 12
12 A / 250 V / 4 kV / 3 / 0.08 - 2.5 mm ² / IEC 61984	
Overvoltage category	III III II
Pollution degree	3 2 2
Rated voltage	400 V 1000 V 1000 V
Rated test voltage	6.0 kV 6.0 kV 6 kV
Insulating material class	CTI 600
Rated wiring solid wire	0.2 - 2.5 mm ²
Rated wiring stranded wire	0.2 - 2.5 mm ²
Rated wiring solid wire	AWG 24 - 12
Rated wiring stranded wire	AWG 24 - 12
Clearance and creepage distances	5.7 mm
Protection category according to IEC 60529	IP 20
Min. insul. strip length	8 mm
Color	black

Dimensional drawing



L = (Pole size - 1) * centerline + 5 mm (0.197 in.)

P/N **313481**

Complete the part number by adding the pole size.

	02	03	04	05	06	07	08
09	10	11	12				

(Information: page 67)

Standard pole sizes



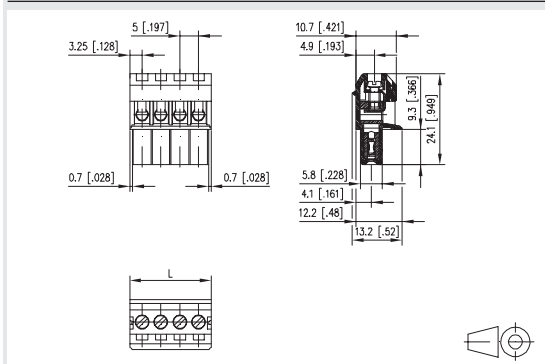
Product family	Pole size	Color	Option
RP035xxIBLN			
Centerline	Design	Function	*old product name

- screw type terminal block, pluggable
- centerline 5.00 mm, direction of connection 90°
- lift system, fittable without loss of poles
- color black
- wire entry uncodeable side perpendicular to plug direction, lamella

Technical data

300 V / A / AWG	300 / 15 / 22 - 12
13.5 A / 320 V / 4 kV / 3 / 0.08 - 2.5 mm ² / IEC 61984	
Overvoltage category	III III II
Pollution degree	3 2 2
Rated voltage	250 V 630 V 630 V
Rated test voltage	4.0 kV 4.0 kV 4 kV
Insulating material class	CTI 600
Rated wiring solid wire	0.33 - 2.5 mm ²
Rated wiring stranded wire	0.33 - 2.5 mm ²
Rated wiring solid wire	AWG 22 - 12
Rated wiring stranded wire	AWG 22 - 12
Clearance and creepage distances	3.4 mm
Protection category according to IEC 60529	IP 20
Min. insul. strip length	7 mm
Color	black

Dimensional drawing



L = (Pole size - 1) * centerline + 6.5 mm (0.256 in.)

P/N **310131**

Complete the part number by adding the pole size.

	02	03	04	05	06	07	08
09	10	11	12	13	14	15	16
17	18	19	20	21	22	23	24

(Information: page 67)

Standard pole sizes

Pin Headers

for RP035xxHBLC	Page
PR065xxHBEC (Type 476)	159
PR065xxHBBN (Type 176)	159
PR075xxHBEL (Type 337)	160
PR075xxHBER (Type 338)	161
PT115xxHBEC (Type 329)	164
PT115xxHBBN (Type 330)	164
PR065xxVBEC (Type 477)	169
PR065xxVBBN (Type 177)	169
PT115xxVBEC (Type 319)	173
PT115xxVBBN (Type 320)	174

Accessories

for RP035xxHBLC 700025	Page
	298

Pin Headers

for RP035xxHBLD	Page
PR065xxHBEC (Type 476)	159
PR065xxHBBN (Type 176)	159
PR075xxHBEL (Type 337)	160
PR075xxHBER (Type 338)	161
PT105xxHGDN (Type 280)	163
PT115xxHBEC (Type 329)	164
PT115xxHBBN (Type 330)	164
PT165xxHGDN (Type 276)	165
PR065xxVBEC (Type 477)	169
PR065xxVBBN (Type 177)	169
PT105xxVGDN (Type 278)	173
PT115xxVBEC (Type 319)	173
PT115xxVBBN (Type 320)	174
PT165xxVGDN (Type 274)	175
PT175xxVGDN (Type 270)	175

Accessories

for RP035xxHBLD 700025	Page
	298



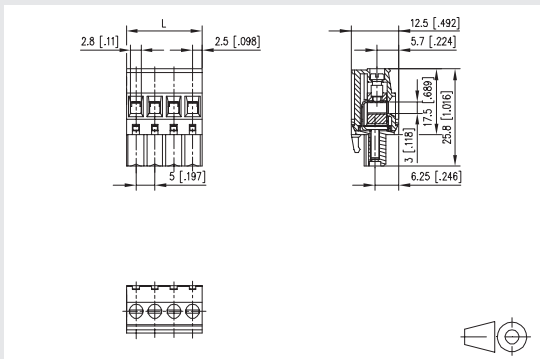
Product family	Pole size	Color	Option
RP035xxHBLC			
Centerline	Design	Function	*old product name

- screw type terminal block, pluggable
- centerline 5.00 mm, direction of connection 90°
- lift system, fittable without loss of poles
- color black
- wire entry uncodeable side perpendicular to plug direction

Technical data

300 / 12 / 28 - 12	
13.5 A / 320 V / 4 kV / 3 / 0.08 - 2.5 mm ² / IEC 61984	
Overvoltage category	III III II
Pollution degree	3 2 2
Rated voltage	250 V 630 V 630 V
Rated test voltage	4.0 kV 4.0 kV 4 kV
Insulating material class	CTI 600
Rated wiring solid wire	0.08 - 2.5 mm ²
Rated wiring stranded wire	0.08 - 2.5 mm ²
Rated wiring solid wire	AWG 28 - 12
Rated wiring stranded wire	AWG 28 - 12
Clearance and creepage distances	3.2 mm
Protection category according to IEC 60529	IP 20
Min. insul. strip length	8 mm
Color	black

Dimensional drawing



L = (Pole size - 1) * centerline + 5 mm (0.197 in.)

P/N

313131

	02	03	04	05	06	07	08
09	10	11	12	13	14	15	16
17	18	19	20	21	22	23	24

(Information: page 67)

Standard pole sizes



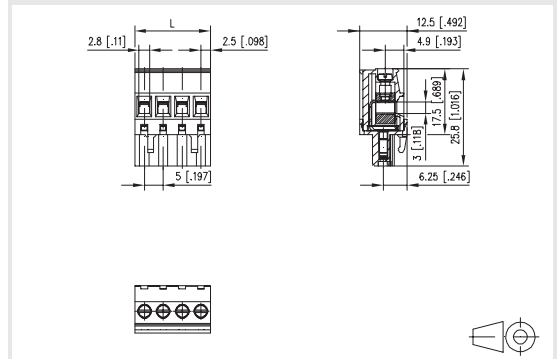
Product family	Pole size	Color	Option
RP035xxHBLD			
Centerline	Design	Function	*old product name

- screw type terminal block, pluggable
- centerline 5.00 mm, direction of connection 90°
- lift system, fittable without loss of poles
- color black
- wire entry codeable side perpendicular to plug direction

Technical data

300 / 12 / 28 - 12	
13.5 A / 320 V / 4 kV / 3 / 0.08 - 2.5 mm ² / IEC 61984	
Overvoltage category	III III II
Pollution degree	3 2 2
Rated voltage	250 V 630 V 630 V
Rated test voltage	4.0 kV 4.0 kV 4 kV
Insulating material class	CTI 600
Rated wiring solid wire	0.08 - 2.5 mm ²
Rated wiring stranded wire	0.08 - 2.5 mm ²
Rated wiring solid wire	AWG 28 - 12
Rated wiring stranded wire	AWG 28 - 12
Clearance and creepage distances	3.2 mm
Protection category according to IEC 60529	IP 20
Min. insul. strip length	8 mm
Color	black

Dimensional drawing



L = (Pole size - 1) * centerline + 5 mm (0.197 in.)

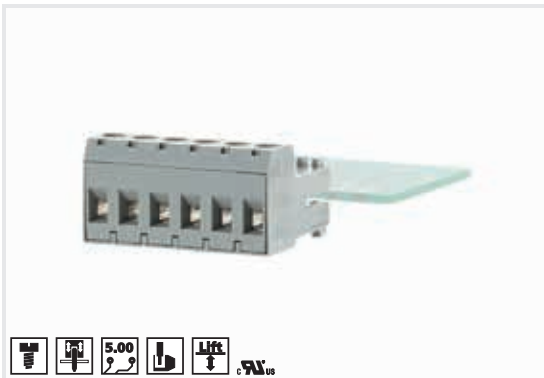
P/N

313141

	02	03	04	05	06	07	08
09	10	11	12	13	14	15	16
17	18	19	20	21	22	23	24

(Information: page 67)

Standard pole sizes



Product family	Pole size	Color	Option
RP995	xx	VD	NN
Centerline	Design	Function	

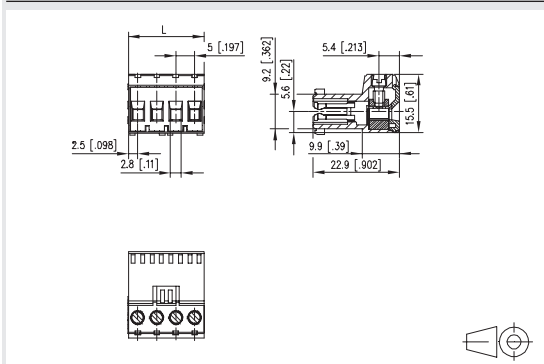
- screw type terminal block, pluggable
- centerline 5.00 mm, direction of connection vertical 0°
- lift system, fittable without loss of poles
- color gray

Technical data

0.75 us V / A / AWG 300 / 6 / 24 - 12

Overvoltage category	III	III	II
Pollution degree	3	2	2
Rated voltage	250.0 V	630.0 V	630.0 V
Rated test voltage	4.0 kV	4.0 kV	4.0 kV
Insulating material class	CTI 600		
Rated wiring solid wire	0.2 - 2.5 mm ²		
Rated wiring stranded wire	0.2 - 2.5 mm ²		
Rated wiring solid wire	AWG 24 - 12		
Rated wiring stranded wire	AWG 24 - 12		
Clearance and creepage distances	3.2 mm		
Protection category according to IEC 60529	IP 20		
Min. insul. strip length	6.5 mm		
Color	gray		

Dimensional drawing



L = (Pole size - 1) * centerline + 5 mm (0.197 in.)

P/N

RP995 VDNN

	02	03	04	05	06	07	08
09	10	11	12				

(Information: page 67)

Standard pole sizes

Pin Headers

for RP026xxIBWU	Page
PR016xxVBHC (Type 018)	179
PR016xxVBVC (Type 028)	180
PM016xxVBHC	180

Accessories

for RP026xxIBWU	Page
750150	286
750151	286
710121	290
710122	290
716846	293

Pin Headers

for RP016xxVBLC	Page
PR066xxHBEC (Type 478)	176
PR066xxHBBN (Type 178)	176
PT106xxHGDN (Type 292)	177
PT116xxHBEC (Type 229)	177
PT116xxHBBN (Type 230)	178
PR066xxVBEC (Type 479)	182
PR066xxVBBN (Type 179)	182
PT106xxVGDN (Type 290)	183
PT116xxVBEC (Type 219)	183
PT116xxVBBN (Type 220)	184

Accessories

for RP016xxVBLC	Page
700025	298



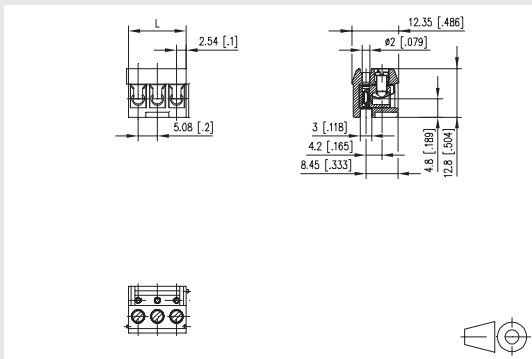
Product family	Pole size	Color	Option				
RP026xx	I	BWU	*(Type 079)				
Centerline	Design	Function	*old product name				

- screw type terminal block, pluggable
- centerline 5.08 mm, direction of connection 90°
- wire protector, modular
- color black
- wire entry perpendicular to plug direction, lamella

Technical data

	300 V / A / AWG	300 / 15 / 22 - 14		
	10 A / 125 V / 2.5 kV / 3 / 0.33 - 2.5 mm ² / IEC 61984			
Overvoltage category	III	III	II	
Pollution degree	3	2	2	
Rated voltage	160 V	400 V	400 V	
Rated test voltage	2.5 kV	2.5 kV	2.5 kV	
Insulating material class	CTI 600			
Rated wiring solid wire	0.33 - 2.0 mm ²			
Rated wiring stranded wire	0.33 - 2.0 mm ²			
Rated wiring solid wire	AWG 22 - 14			
Rated wiring stranded wire	AWG 22 - 14			
Clearance and creepage distances	2.3 mm			
Protection category according to IEC 60529	IP 00			
Min. insul. strip length	6 mm			
Color	black			

Dimensional drawing



L = (Pole size - 1) * centerline + 5.08 mm (0.200 in.)

P/N

310791

02	03						

(Information: page 67)

Standard pole sizes



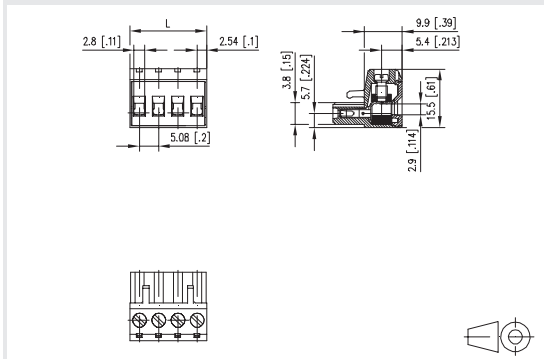
Product family	Pole size	Color	Option				
RP016xx	VB	LC	*(Type 249)				
Centerline	Design	Function	*old product name				

- screw type terminal block, pluggable
- centerline 5.08 mm, direction of connection vertical 0°
- lift system, fittable without loss of poles
- color black
- wire entry codeable side perpendicular to plug direction

Technical data

	300 V / A / AWG	300 / 16 / 28 - 12		
	13.5 A / 320 V / 4 kV / 3 / 0.08 - 2.5 mm ² / IEC 61984			
Overvoltage category	III	III	II	
Pollution degree	3	2	2	
Rated voltage	250 V	630 V	630 V	
Rated test voltage	4.0 kV	4.0 kV	4 kV	
Insulating material class	CTI 600			
Rated wiring solid wire	0.08 - 2.5 mm ²			
Rated wiring stranded wire	0.08 - 2.5 mm ²			
Rated wiring solid wire	AWG 28 - 12			
Rated wiring stranded wire	AWG 28 - 12			
Clearance and creepage distances	3.6 mm			
Protection category according to IEC 60529	IP 20			
Min. insul. strip length	8 mm			
Color	black			

Dimensional drawing



L = (Pole size - 1) * centerline + 5.08 mm (0.200 in.)

P/N

312491

02	03	04	05	06	07	08	
09	10	11	12	13	14	15	16
17	18	19	20	21	22	23	24

(Information: page 67)

Standard pole sizes

Pin Headers

for RP016xxSBLC	Page
PR066xxHBEC (Type 478)	176
PR066xxHBBN (Type 178)	176
PT106xxHGDN (Type 292)	177
PT116xxHBEC (Type 229)	177
PT116xxHBBN (Type 230)	178
PT166xxHGDN (Type 288)	179
PR066xxVBEC (Type 479)	182
PR066xxVBBN (Type 179)	182
PT106xxVGDN (Type 290)	183
PT116xxVBEC (Type 219)	183
PT116xxVBBN (Type 220)	184
PT166xxVGDN (Type 286)	185

Accessories

for RP016xxSBLC	Page
700025	298

Pin Headers

for RP016xxVBLF	Page
PT116xxHBBF (Type 236)	178
PR066xxHBBF (Type 398)	181
PT116xxVBBF (Type 235)	184

Accessories

for RP016xxVBLF	Page
700025	298



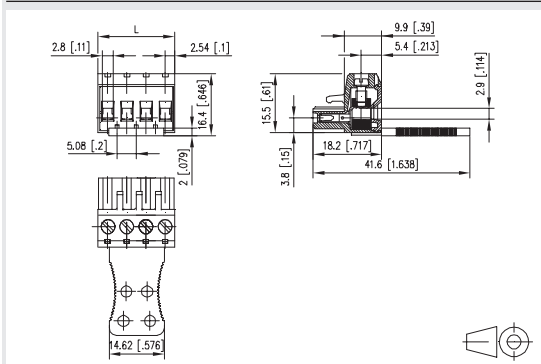
Product family	Pole size	Color	Option
RP016xxSBLC			
Centerline	Design	Function	*old product name

- screw type terminal block, pluggable
- centerline 5.08 mm, direction of connection vertical 0°
- lift system, fittable without loss of poles
- color black
- wire entry uncodeable side parallel to plug direction, draw-off accessory

Technical data

V / A / AWG	300 / 16 / 28 - 12
13.5 A / 320 V / 4 kV / 3 / 0.08 - 2.5 mm ² / IEC 61984	
Overvoltage category	III III II
Pollution degree	3 2 2
Rated voltage	250 V 630 V 630 V
Rated test voltage	4.0 kV 4.0 kV 4 kV
Insulating material class	CTI 600
Rated wiring solid wire	0.08 - 2.5 mm ²
Rated wiring stranded wire	0.08 - 2.5 mm ²
Rated wiring solid wire	AWG 28 - 12
Rated wiring stranded wire	AWG 28 - 12
Clearance and creepage distances	3.6 mm
Protection category according to IEC 60529	IP 00
Min. insul. strip length	8 mm
Color	black

Dimensional drawing



L = (Pole size - 1) * centerline + 5.08 mm (0.200 in.)

P/N

312501

	03	04	05	06	07	08	09
10	11	12					

(Information: page 67)

Standard pole sizes



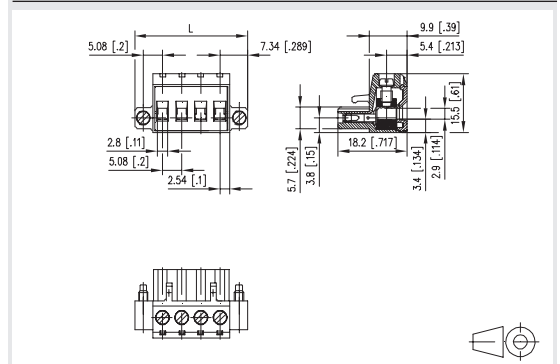
Product family	Pole size	Color	Option
RP016xxVBLF			
Centerline	Design	Function	*old product name

- screw type terminal block, pluggable
- centerline 5.08 mm, direction of connection vertical 0°
- lift system
- color black, mounting flange
- wire entry codeable side perpendicular to plug direction

Technical data

V / A / AWG	300 / 16 / 28 - 12
13.5 A / 320 V / 4 kV / 3 / 0.08 - 2.5 mm ² / IEC 61984	
Overvoltage category	III III II
Pollution degree	3 2 2
Rated voltage	250 V 630 V 630 V
Rated test voltage	4.0 kV 4.0 kV 4 kV
Insulating material class	CTI 600
Rated wiring solid wire	0.08 - 2.5 mm ²
Rated wiring stranded wire	0.08 - 2.5 mm ²
Rated wiring solid wire	AWG 28 - 12
Rated wiring stranded wire	AWG 28 - 12
Clearance and creepage distances	3.6 mm
Protection category according to IEC 60529	IP 20
Min. insul. strip length	8 mm
Color	black

Dimensional drawing



L = (Pole size - 1) * centerline + 14.68 mm (0.578 in.)

P/N

312511

	02	03	04	05	06	07	08
09	10	11	12	13	14	15	16
17	18	19	20	21	22	23	24

(Information: page 67)

Standard pole sizes

Pin Headers

for RP036xxHBLC	Page
PR066xxHBEC (Type 478)	176
PR066xxHBBN (Type 178)	176
PT116xxHBEC (Type 229)	177
PT116xxHBBN (Type 230)	178
PR066xxVBEC (Type 479)	182
PT116xxVBEC (Type 219)	183
PT116xxVBBN (Type 220)	184

Accessories

for RP036xxHBLC	Page
700025	298

Pin Headers

for RP036xxHBLD	Page
PR066xxHBEC (Type 478)	176
PR066xxHBBN (Type 178)	176
PT116xxHBEC (Type 229)	177
PT116xxHBBN (Type 230)	178
PT166xxHGDN (Type 288)	179
PR066xxVBEC (Type 479)	182
PT116xxVBEC (Type 219)	183
PT116xxVBBN (Type 220)	184
PT166xxVGDN (Type 286)	185

Accessories

for RP036xxHBLD	Page
700025	298



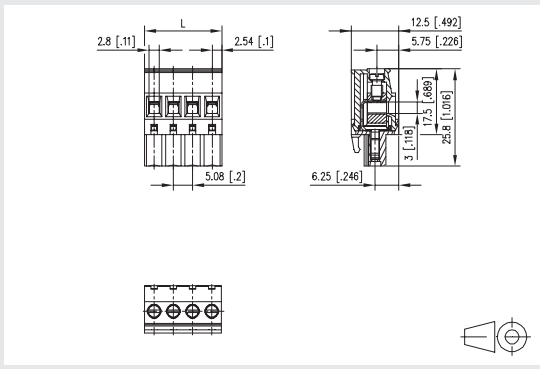
Product family Pole size Color Option
RP036xxHBLC *(Type 213)
 Centerline Design Function *old product name

- screw type terminal block, pluggable
- centerline 5.08 mm, direction of connection 90°
- lift system, fittable without loss of poles
- color black
- wire entry uncodeable side perpendicular to plug direction

Technical data

UL V / A / AWG	300 / 12 / 28 - 12
13.5 A / 320 V / 4 kV / 3 / 0.08 - 2.5 mm ² / IEC 61984	
Overvoltage category	III III II
Pollution degree	3 2 2
Rated voltage	250 V 630 V 630 V
Rated test voltage	4.0 kV 4.0 kV 4 kV
Insulating material class	CTI 600
Rated wiring solid wire	0.08 - 4 mm ²
Rated wiring stranded wire	0.08 - 2.5 mm ²
Rated wiring solid wire	AWG 28 - 12
Rated wiring stranded wire	AWG 28 - 12
Clearance and creepage distances	3.2 mm
Protection category according to IEC 60529	IP 20
Min. insul. strip length	8 mm
Color	black

Dimensional drawing



L = (Pole size - 1) * centerline + 5.08 mm (0.200 in.)

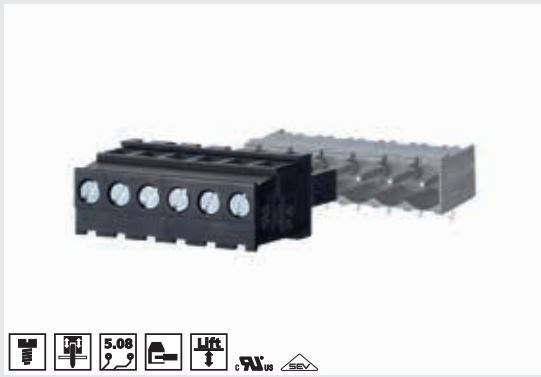
P/N Complete the part number by adding the pole size.

312131

	02	03	04	05	06	07	08
09	10	11	12	13	14	15	16
17	18	19	20	21	22	23	24

(Information: page 67)

Standard pole sizes



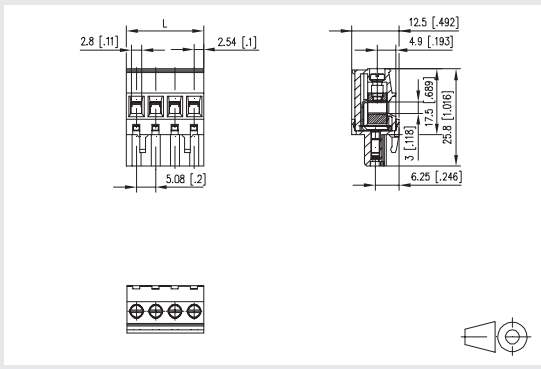
Product family Pole size Color Option
RP036xxHBLD *(Type 214)
 Centerline Design Function *old product name

- screw type terminal block, pluggable
- centerline 5.08 mm, direction of connection 90°
- lift system, fittable without loss of poles
- color black
- wire entry codeable side perpendicular to plug direction

Technical data

UL V / A / AWG	300 / 12 / 28 - 12
13.5 A / 320 V / 4 kV / 3 / 0.08 - 2.5 mm ² / IEC 61984	
Overvoltage category	III III II
Pollution degree	3 2 2
Rated voltage	250 V 630 V 630 V
Rated test voltage	4.0 kV 4.0 kV 4 kV
Insulating material class	CTI 600
Rated wiring solid wire	0.08 - 4 mm ²
Rated wiring stranded wire	0.08 - 2.5 mm ²
Rated wiring solid wire	AWG 28 - 12
Rated wiring stranded wire	AWG 28 - 12
Clearance and creepage distances	3.2 mm
Protection category according to IEC 60529	IP 20
Min. insul. strip length	8 mm
Color	black

Dimensional drawing



L = (Pole size - 1) * centerline + 5.08 mm (0.200 in.)

P/N Complete the part number by adding the pole size.

312141

	02	03	04	05	06	07	08
09	10	11	12	13	14	15	16
17	18	19	20	21	22	23	24

(Information: page 67)

Standard pole sizes

Pin Headers

for RP036xxHBLF Page

PT116xxHBBF (Type 236) 178

PT116xxVBBF (Type 235) 184

Accessories

for RP036xxHBLF Page

700025 298

Pin Headers

for RP036xxHBLF Page

PT116xxHBBF (Type 236) 178

PT116xxVBBF (Type 235) 184

Accessories

for RP036xxHBLF Page

700025 298



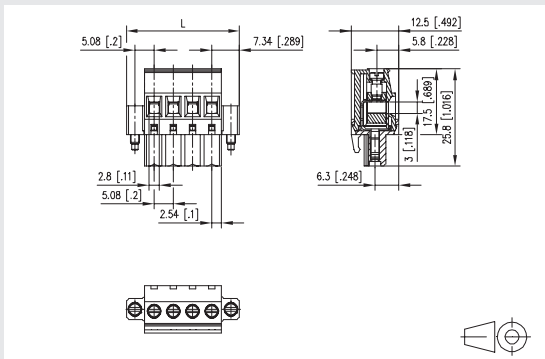
Product family Pole size Color Option
RP036xxHBLF *(Type 217)
Centerline Design Function *old product name

- screw type terminal block, pluggable
- centerline 5.08 mm, direction of connection 90°
- lift system
- color black, mounting flange
- wire entry uncodeable side perpendicular to plug direction

Technical data

300 V / A / AWG	300 / 12 / 28 - 12		
13.5 A / 320 V / 4 kV / 3 / 0.08 - 2.5 mm ² / IEC 61984			
Overvoltage category	III	III	II
Pollution degree	3	2	2
Rated voltage	250 V	630 V	630 V
Rated test voltage	4.0 kV	4.0 kV	4 kV
Insulating material class	CTI 600		
Rated wiring solid wire	0.08 - 4 mm ²		
Rated wiring stranded wire	0.08 - 2.5 mm ²		
Rated wiring solid wire	AWG 28 - 12		
Rated wiring stranded wire	AWG 28 - 12		
Clearance and creepage distances	3.2 mm		
Protection category according to IEC 60529	IP 20		
Min. insul. strip length	8 mm		
Color	black		

Dimensional drawing



L = (Pole size - 1) * centerline + 14.68 mm (0.578 in.)

P/N Complete the part number by adding the pole size.

312171

	02	03	04	05	06	07	08
09	10	11	12				

(Information: page 67)

Standard pole sizes



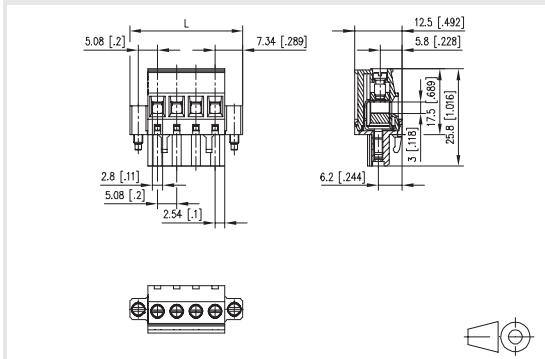
Product family Pole size Color Option
RP036xxHBL S *(Type 218)
Centerline Design Function *old product name

- screw type terminal block, pluggable
- centerline 5.08 mm, direction of connection 90°
- lift system
- color black, mounting flange
- wire entry codeable side perpendicular to plug direction

Technical data

300 V / A / AWG	300 / 12 / 28 - 12		
13.5 A / 320 V / 4 kV / 3 / 0.08 - 2.5 mm ² / IEC 61984			
Overvoltage category	III	III	II
Pollution degree	3	2	2
Rated voltage	250 V	630 V	630 V
Rated test voltage	4.0 kV	4.0 kV	4 kV
Insulating material class	CTI 600		
Rated wiring solid wire	0.08 - 4 mm ²		
Rated wiring stranded wire	0.08 - 2.5 mm ²		
Rated wiring solid wire	AWG 28 - 12		
Rated wiring stranded wire	AWG 28 - 12		
Clearance and creepage distances	3.2 mm		
Protection category according to IEC 60529	IP 20		
Min. insul. strip length	8 mm		
Color	black		

Dimensional drawing



L = (Pole size - 1) * centerline + 14.68 mm (0.578 in.)

P/N Complete the part number by adding the pole size.





312181

	02	03	04	05	06	07	08
09	10	11	12				

(Information: page 67)

Standard pole sizes



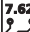





Pin Headers

for RP018xxVBLC	Page
 PT118xxHBEC (Type 265)	186
 PT118xxHBBC (Type 266)	186
 PT118xxVBEC (Type 263)	187
 PT118xxVBBC (Type 264)	187

Accessories



for RP018xxVBLC 700025	Page
	298



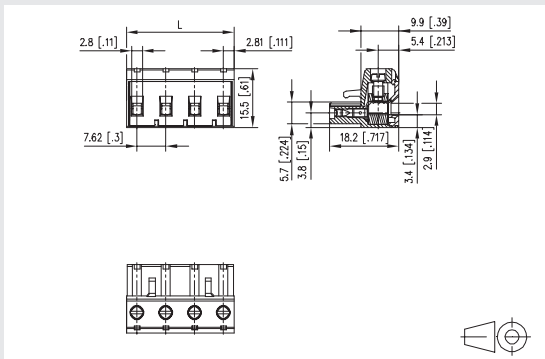
							
Product family	Pole size	Color	Option				
RP018xxVBLC	7.62	Black	C	*(Type 262)			
Centerline	Design	Function		*old product name			

- screw type terminal block, pluggable
- centerline 7.62 mm, direction of connection vertical 0°
- lift system, fittable without loss of poles
- color black
- wire entry codeable side perpendicular to plug direction

Technical data

 V / A / AWG	300 / 15 / 28 - 14
 13.5 A / 500 V / 6 kV / 3 / 0.08 - 2.5 mm ² / IEC 61984	
Overvoltage category	III III II
Pollution degree	3 2 2
Rated voltage	400 V 1000 V 1000 V
Rated test voltage	6.0 kV 6.0 kV 6 kV
Insulating material class	CTI 600
Rated wiring solid wire	0.08 - 2.0 mm ²
Rated wiring stranded wire	0.08 - 2.0 mm ²
Rated wiring solid wire	AWG 28 - 14
Rated wiring stranded wire	AWG 28 - 14
Clearance and creepage distances	6.1 mm
Protection category according to IEC 60529	IP 20
Min. insul. strip length	8 mm
Color	black

Dimensional drawing



L = (Pole size - 1) * centerline + 5.62 mm (0.221 in.)

P/N 312621

Complete the part number by adding the pole size.

	02	03	04	05	06	07	08
09	10	11	12				

(Information: page 67)

Standard pole sizes



Pin Headers

for RP029xxIBWC	Page
 PT069xxVBVN (Type 042)	189

Accessories

for RP029xxIBWC	Page
710084	285
710085	285
710121	290
710122	290
716846	293


Pin Headers

for RP019xxWBLC	Page
 PT049xxHBBN (Type 030)	188
 PT049xxVBBN (Type 020)	190

Accessories

for RP019xxWBLC	Page
716906	293







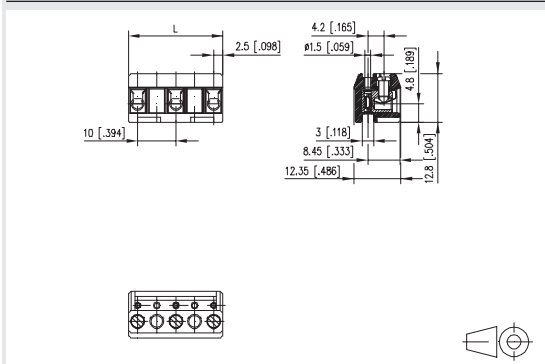
Product family	Pole size	Color	Option
RP029xx	I	BWC	*(Type 007)
Centerline	Design	Function	*old product name

- screw type terminal block, pluggable
- centerline 10.00 mm, direction of connection 90°
- wire protector, fittable without loss of poles
- color black

Technical data

 us V / A / AWG	600 / 15 / 22 - 12		
 10 A / 630 V / 6 kV / 3 / 0.33 - 2.5 mm ² / IEC 61984			
Overvoltage category	III	III	II
Pollution degree	3	2	2
Rated voltage	500 V	1250 V	1250 V
Rated test voltage	6.0 kV	6.0 kV	6 kV
Insulating material class	CTI 600		
Rated wiring solid wire	0.33 - 2.5 mm ²		
Rated wiring stranded wire	0.33 - 2.5 mm ²		
Rated wiring solid wire	AWG 22 - 12		
Rated wiring stranded wire	AWG 22 - 12		
Clearance and creepage distances	7.3 mm		
Protection category according to IEC 60529	IP 20		
Min. insul. strip length	6 mm		
Color	black		

Dimensional drawing



L = (Pole size - 1) * centerline + 5 mm (0.197 in.)

P/N **310072**


Complete the part number by adding the pole size.

	02	03	04	05	06	07	08
09	10	11	12				

(Information: page 67)

Standard pole sizes







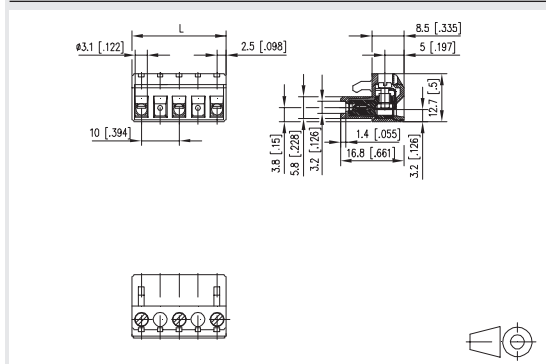
Product family	Pole size	Color	Option
RP019xx	W	BLC	*(Type 049)
Centerline	Design	Function	*old product name

- screw type terminal block, pluggable
- centerline 10.00 mm, direction of connection vertical 90°
- lift system, fittable without loss of poles
- color black

Technical data

 us V / A / AWG	600 / 15 / 22 - 12		
 13.5 A / 630 V / 6 kV / 3 / 0.08 - 2.5 mm ² / IEC 61984			
Overvoltage category	III	III	II
Pollution degree	3	2	2
Rated voltage	630 V	1600 V	1600 V
Rated test voltage	8.0 kV	8 kV	8.0 kV
Insulating material class	CTI 600		
Rated wiring solid wire	0.33 - 2.5 mm ²		
Rated wiring stranded wire	0.33 - 2.5 mm ²		
Rated wiring solid wire	AWG 22 - 12		
Rated wiring stranded wire	AWG 22 - 12		
Clearance and creepage distances	9.07 mm		
Protection category according to IEC 60529	IP 20		
Min. insul. strip length	6 mm		
Color	black		

Dimensional drawing



L = (Pole size - 1) * centerline + 5 mm (0.197 in.)

P/N **310492**

Complete the part number by adding the pole size.

	02	03	04	05	06	07	08
09	10	11	12				

(Information: page 67)

Standard pole sizes

Pin Headers

for RP039xxHBLC Page
 [Icon] PT119xxVBBN (Type 320) 190

Accessories

for RP039xxHBLC Page
 700025 298

Pin Headers

for RP019xxVBLC Page
 [Icon] PT119xxVBBN (Type 320) 190

Accessories

for RP019xxVBLC Page
 700025 298



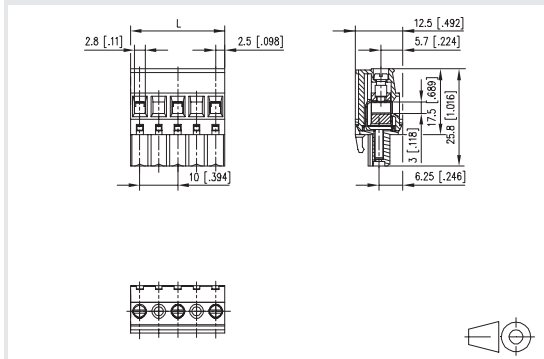
Product family	Pole size	Color	Option
RP039xxHBLC			
Centerline	Design	Function	*old product name

- screw type terminal block, pluggable
- centerline 10.00 mm, direction of connection 90°
- lift system, fittable without loss of poles
- color black

Technical data

600 / 12 / 28 - 12	
13.5 A / 630 V / 6 kV / 3 / 0.08 - 2.5 mm ² / IEC 61984	
Overvoltage category	III III II
Pollution degree	3 2 2
Rated voltage	630 V 1600 V 1600 V
Rated test voltage	8.0 kV 8 kV 8.0 kV
Insulating material class	CTI 600
Rated wiring solid wire	0.08 - 4 mm ²
Rated wiring stranded wire	0.08 - 2.5 mm ²
Rated wiring solid wire	AWG 28 - 12
Rated wiring stranded wire	AWG 28 - 12
Clearance and creepage distances	8.2 mm
Protection category according to IEC 60529	IP 20
Min. insul. strip length	8 mm
Color	black

Dimensional drawing



L = (Pole size - 1) * centerline + 5 mm (0.197 in.)

P/N **313132**

Complete the part number by adding the pole size.

	02	03	04	05	06	07	08
09	10	11	12				

(Information: page 67)

Standard pole sizes



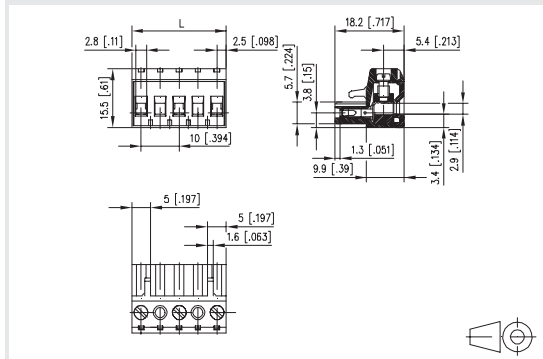
Product family	Pole size	Color	Option
RP019xxVBLC			
Centerline	Design	Function	*old product name

- screw type terminal block, pluggable
- centerline 10.00 mm, direction of connection vertical 0°
- lift system, fittable without loss of poles
- color black

Technical data

600 / 16 / 28 - 12	
13.5 A / 630 V / 6 kV / 3 / 0.08 - 2.5 mm ² / IEC 61984	
Overvoltage category	III III II
Pollution degree	3 2 2
Rated voltage	630 V 1600 V 1600 V
Rated test voltage	8.0 kV 8 kV 8.0 kV
Insulating material class	CTI 600
Rated wiring solid wire	0.08 - 4 mm ²
Rated wiring stranded wire	0.08 - 2.5 mm ²
Rated wiring solid wire	AWG 28 - 12
Rated wiring stranded wire	AWG 28 - 12
Clearance and creepage distances	8.6 mm
Protection category according to IEC 60529	IP 20
Min. insul. strip length	8 mm
Color	black

Dimensional drawing



L = (Pole size - 1) * centerline + 5 mm (0.197 in.)

P/N **313492**

Complete the part number by adding the pole size.

	02	03	04	05	06	07	08
09	10	11	12				

(Information: page 67)

Standard pole sizes

Pin Headers

for RP019xxVBLF	Page
PT119xxHBBF (Type 336)	189
PT119xxVBBF (Type 335)	191

Accessories

for RP019xxVBLF	Page
700025	298



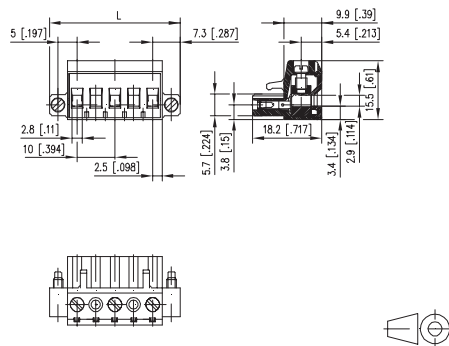
Product family Pole size Color Option
RP019xxVBLF *(Type 351)
Centerline Design Function *old product name

- screw type terminal block, pluggable
- centerline 10.00 mm, direction of connection vertical 0°
- lift system
- color black, mounting flange

Technical data

600 V / A / AWG	600 / 16 / 28 - 12
13.5 A / 630 V / 6 kV / 3 / 0.08 - 2.5 mm ² / IEC 61984	
Overvoltage category	III III II
Pollution degree	3 2 2
Rated voltage	630 V 1600 V 1600 V
Rated test voltage	8.0 kV 8 kV 8.0 kV
Insulating material class	CTI 600
Rated wiring solid wire	0.08 - 2.5 mm ²
Rated wiring stranded wire	0.08 - 2.5 mm ²
Rated wiring solid wire	AWG 28 - 12
Rated wiring stranded wire	AWG 28 - 12
Clearance and creepage distances	8.6 mm
Protection category according to IEC 60529	IP 20
Min. insul. strip length	8 mm
Color	black

Dimensional drawing



L = (Pole size - 1) * centerline + 14.6 mm (0.575 in.)

P/N

313512

Complete the part number by adding the pole size.

	02	03	04	05	06	07	08
09	10	11	12				

(Information: page 67)

Standard pole sizes

Pin Headers

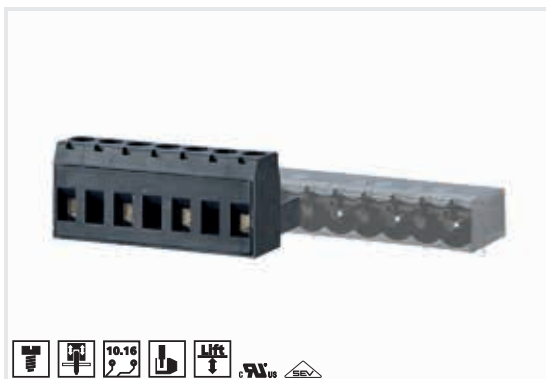
for RP01AxxVBLC	Page
PT116xxVBEC (Type 219)	183
PT116xxVBBN (Type 220)	184
PT11AxxHBEC (Type 229)	192
PT11AxxHBBN (Type 230)	192

Pin Headers

for RP01AxxVBLF	Page
PT11AxxHBBF (Type 236)	193
PT11AxxVBBF (Type 235)	194

Accessories

for RP01AxxVBLF	Page
700025	298



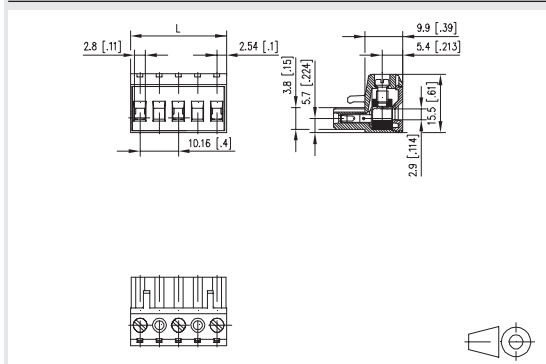
RP01AxxVBLC *(Type 249)
 Product family Pole size Color Option
 Centerline Design Function *old product name

- screw type terminal block, pluggable
- centerline 10.16 mm, direction of connection vertical 0°
- lift system, fittable without loss of poles
- color black

Technical data

us V / A / AWG	600 / 16 / 28 - 12		
13.5 A / 630 V / 6 kV / 3 / 0.08 - 2.5 mm ² / IEC 61984			
Overvoltage category	III	III	II
Pollution degree	3	2	2
Rated voltage	630 V	1600 V	1600 V
Rated test voltage	8.0 kV	8 kV	8.0 kV
Insulating material class	CTI 600		
Rated wiring solid wire	0.08 - 4 mm ²		
Rated wiring stranded wire	0.08 - 2.5 mm ²		
Rated wiring solid wire	AWG 28 - 12		
Rated wiring stranded wire	AWG 28 - 12		
Clearance and creepage distances	8.68 mm		
Protection category according to IEC 60529	IP 20		
Min. insul. strip length	8 mm		
Color	black		

Dimensional drawing



L = (Pole size - 1) * centerline + 5.08 mm (0.200 in.)

P/N **312492**

Complete the part number by adding the pole size.

	02	03	04	05	06	07	08
09	10	11	12				

(Information: page 67)

Standard pole sizes



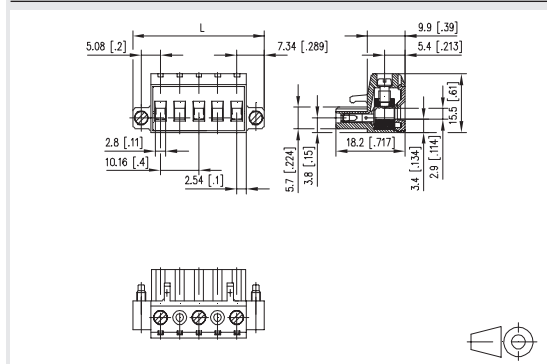
RP01AxxVBLF *(Type 251)
 Product family Pole size Color Option
 Centerline Design Function *old product name

- screw type terminal block, pluggable
- centerline 10.16 mm, direction of connection vertical 0°
- lift system
- color black, mounting flange

Technical data

us V / A / AWG	600 / 16 / 28 - 12		
13.5 A / 630 V / 6 kV / 3 / 0.08 - 2.5 mm ² / IEC 61984			
Overvoltage category	III	III	II
Pollution degree	3	2	2
Rated voltage	630 V	1600 V	1600 V
Rated test voltage	8.0 kV	8 kV	8.0 kV
Insulating material class	CTI 600		
Rated wiring solid wire	0.08 - 4 mm ²		
Rated wiring stranded wire	0.08 - 2.5 mm ²		
Rated wiring solid wire	AWG 28 - 12		
Rated wiring stranded wire	AWG 28 - 12		
Clearance and creepage distances	8.68 mm		
Protection category according to IEC 60529	IP 20		
Min. insul. strip length	8 mm		
Color	black		

Dimensional drawing



L = (Pole size - 1) * centerline + 14.68 mm (0.578 in.)

P/N **312512**

Complete the part number by adding the pole size.

	02	03	04	05	06	07	08
09	10	11	12				

(Information: page 67)

Standard pole sizes

Pin Headers

for RP03AxxHBLC	Page
PT11AxxHBEC (Type 229)	192
PT11AxxHBBN (Type 230)	192
PT11AxxVBEC (Type 219)	193
PT11AxxVBBN (Type 220)	194

Accessories

for RP03AxxHBLD	Page
700025	298

Pin Headers

for RP03AxxHBLD	Page
PT11AxxHBEC (Type 229)	192
PT11AxxHBBN (Type 230)	192
PT11AxxVBEC (Type 219)	193
PT11AxxVBBN (Type 220)	194

Accessories

for RP03AxxHBLD	Page
700025	298



Product family Pole size Color Option

RP03AxxHBLC *(Type 213)

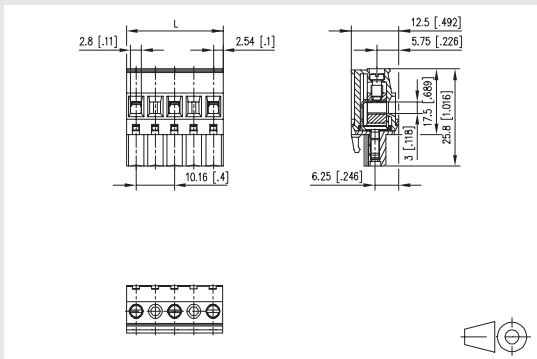
Centerline Design Function *old product name

- screw type terminal block, pluggable
- centerline 10.16 mm, direction of connection 90°
- lift system, fittable without loss of poles
- color black

Technical data

600 V / A / AWG	600 / 12 / 28 - 12		
13.5 A / 630 V / 6 kV / 3 / 0.08 - 2.5 mm ² / IEC 61984			
Overvoltage category	III	III	II
Pollution degree	3	2	2
Rated voltage	630 V	1600 V	1600 V
Rated test voltage	8.0 kV	8 kV	8.0 kV
Insulating material class	CTI 600		
Rated wiring solid wire	0.08 - 4 mm ²		
Rated wiring stranded wire	0.08 - 2.5 mm ²		
Rated wiring solid wire	AWG 28 - 12		
Rated wiring stranded wire	AWG 28 - 12		
Clearance and creepage distances	8.28 mm		
Protection category according to IEC 60529	IP 20		
Min. insul. strip length	8 mm		
Color	black		

Dimensional drawing



L = (Pole size - 1) * centerline + 5.08 mm (0.200 in.)

P/N

312132

Complete the part number by adding the pole size.

	02	03	04	05	06	07	08
09	10	11	12				

(Information: page 67)

Standard pole sizes



Product family Pole size Color Option

RP03AxxHBLD *(Type 214)

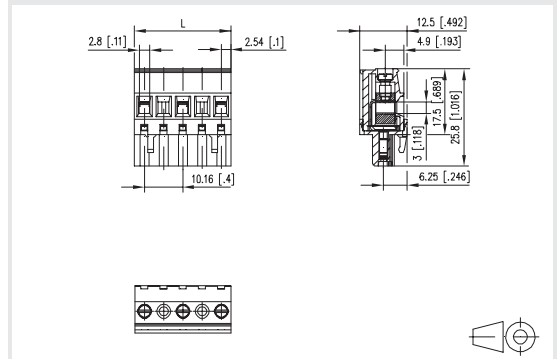
Centerline Design Function *old product name

- screw type terminal block, pluggable
- centerline 10.16 mm, direction of connection 90°
- lift system, fittable without loss of poles
- color black

Technical data

600 V / A / AWG	600 / 12 / 28 - 12		
13.5 A / 630 V / 6 kV / 3 / 0.08 - 2.5 mm ² / IEC 61984			
Overvoltage category	III	III	II
Pollution degree	3	2	2
Rated voltage	630 V	1600 V	1600 V
Rated test voltage	8.0 kV	8 kV	8.0 kV
Insulating material class	CTI 600		
Rated wiring solid wire	0.08 - 4 mm ²		
Rated wiring stranded wire	0.08 - 2.5 mm ²		
Rated wiring solid wire	AWG 28 - 12		
Rated wiring stranded wire	AWG 28 - 12		
Clearance and creepage distances	8.28 mm		
Protection category according to IEC 60529	IP 20		
Min. insul. strip length	8 mm		
Color	black		

Dimensional drawing



L = (Pole size - 1) * centerline + 5.08 mm (0.200 in.)

P/N

312142

Complete the part number by adding the pole size.

	02	03	04	05	06	07	08
09	10	11	12				

(Information: page 67)

Standard pole sizes

Pin Headers

for RP03AxxHBLF Page

PT11AxxHBBF (Type 236) 193

PT11AxxVBBF (Type 235) 194

Accessories

for RP03AxxHBLF Page

700025 298

Pin Headers

for RP03AxxHBLF Page

PT11AxxHBBF (Type 236) 193

PT11AxxVBBF (Type 235) 194

Accessories

for RP03AxxHBLF Page

700025 298



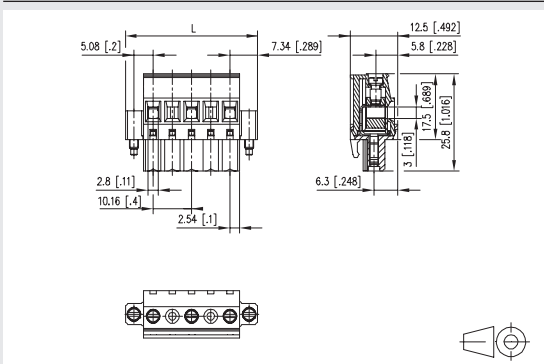
Product family	Pole size	Color	Option
RP03AxxHBLF			
Centerline	Design	Function	*old product name

- screw type terminal block, pluggable
- centerline 10.16 mm, direction of connection 90°
- lift system
- color black, mounting flange

Technical data

UL V / A / AWG	600 / 12 / 28 - 12		
13.5 A / 630 V / 4 kV / 3 / 0.08 - 2.5 mm ² / IEC 61984			
Overvoltage category	III	III	II
Pollution degree	3	2	2
Rated voltage	630 V	1600 V	1600 V
Rated test voltage	8.0 kV	8 kV	8.0 kV
Insulating material class	CTI 600		
Rated wiring solid wire	0.08 - 4 mm ²		
Rated wiring stranded wire	0.08 - 2.5 mm ²		
Rated wiring solid wire	AWG 28 - 12		
Rated wiring stranded wire	AWG 28 - 12		
Clearance and creepage distances	8.28 mm		
Protection category according to IEC 60529	IP 20		
Min. insul. strip length	8 mm		
Color	black		

Dimensional drawing



L = (Pole size - 1) * centerline + 14.68 mm (0.578 in.)

P/N 312172 Complete the part number by adding the pole size.

	02	03	04	05	06

(Information: page 67)

Standard pole sizes



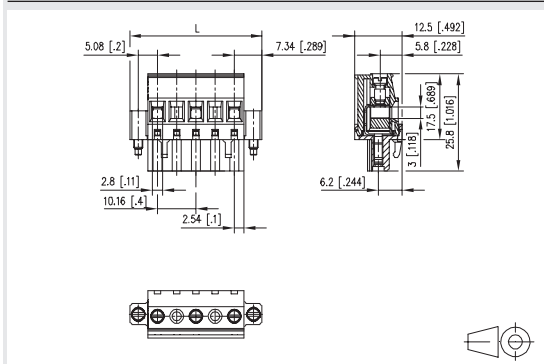
Product family	Pole size	Color	Option
RP03AxxHBL S			
Centerline	Design	Function	*old product name

- screw type terminal block, pluggable
- centerline 10.16 mm, direction of connection 90°
- lift system
- color black, mounting flange

Technical data

UL V / A / AWG	600 / 12 / 28 - 12		
13.5 A / 630 V / 4 kV / 3 / 0.08 - 2.5 mm ² / IEC 61984			
Overvoltage category	III	III	II
Pollution degree	3	2	2
Rated voltage	630 V	1600 V	1600 V
Rated test voltage	8.0 kV	8 kV	8.0 kV
Insulating material class	CTI 600		
Rated wiring solid wire	0.08 - 4 mm ²		
Rated wiring stranded wire	0.08 - 2.5 mm ²		
Rated wiring solid wire	AWG 28 - 12		
Rated wiring stranded wire	AWG 28 - 12		
Clearance and creepage distances	8.28 mm		
Protection category according to IEC 60529	IP 20		
Min. insul. strip length	8 mm		
Color	black		

Dimensional drawing



L = (Pole size - 1) * centerline + 14.68 mm (0.578 in.)

P/N 312182 Complete the part number by adding the pole size.

	02	03	04	05	06

(Information: page 67)

Standard pole sizes



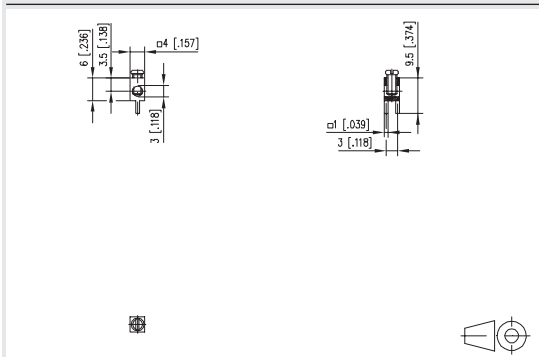
360272 | Single terminal block M2.6

- screw type terminal block, solderable, double solder pins
- direction of connection 90°
- color metal
- open construction, screw brought down by hand (transport safety)

Technical data

A / AWG	15 / 26 - 14		
Overvoltage category	III	III	II
Pollution degree	3	2	2
Rated test voltage	0.8 kV	4 kV	2.5 kV
Rated wiring solid wire	0.13 - 2 mm ²		
Rated wiring stranded wire	0.13 - 1.5 mm ²		
Rated wiring solid wire	AWG 26 - 14		
Rated wiring stranded wire	AWG 26 - 14		
Solder pin dimension	2 x 1.0 mm		
Recommended pc board hole dia.	ø 1.5 mm		
Solder pin length	3.5 mm		
Protection category according to IEC 60529	IP 00		
Color	metallike		

Dimensional drawing



P/N	Color	Feature 1	Feature 2		
360272	metallike				



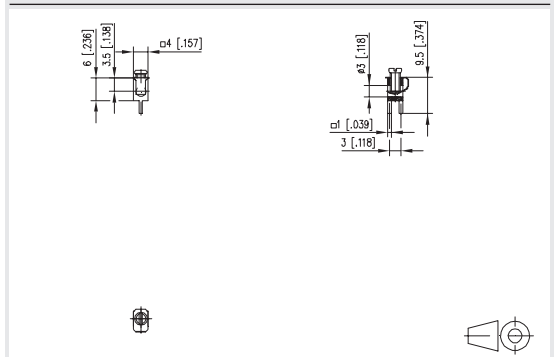
360273 | Single terminal block M2.6

- screw type terminal block, solderable, double solder pins
- direction of connection 90°
- wire protector
- color metal
- open construction, screw brought down by hand (transport safety)

Technical data

A / AWG	15 / 26 - 14		
Overvoltage category	III	III	II
Pollution degree	3	2	2
Rated test voltage	0.8 kV	4 kV	2.5 kV
Rated wiring solid wire	0.13 - 2 mm ²		
Rated wiring stranded wire	0.13 - 1.5 mm ²		
Rated wiring solid wire	AWG 26 - 14		
Rated wiring stranded wire	AWG 26 - 14		
Solder pin dimension	2 x 1.0 mm		
Recommended pc board hole dia.	ø 1.5 mm		
Solder pin length	3.5 mm		
Color	metallike		

Dimensional drawing



P/N	Color	Feature 1	Feature 2		
360273	metallike				



360410 | Single terminal block M3

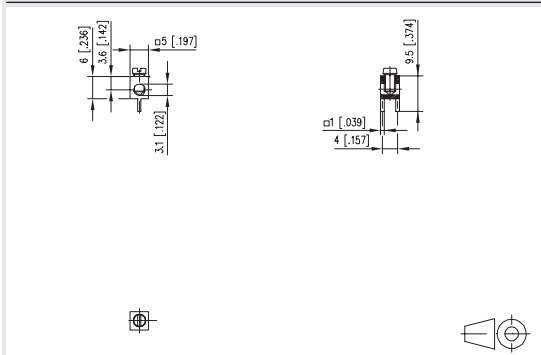
- screw type terminal block, THR solderable, double solder pins
- direction of connection 90°
- color metal
- Tape & Reel packaging
- open construction, screw brought down by hand (transport safety)

Technical data

U| A / AWG 15 / 30 - 18

Rated wiring solid wire	0.05 - 1.5 mm ²
Rated wiring stranded wire	0.05 - 1.0 mm ²
Rated wiring solid wire	AWG 30 - 16
Rated wiring stranded wire	AWG 30 - 18
Solder pin dimension	2 x 1.0 mm
Recommended pc board hole dia.	ø 1.5 mm
Solder pin length	3.5 mm
Protection category according to IEC 60529	IP 00
Color	metallike

Dimensional drawing



P/N	Color	Feature 1	Feature 2		
360410	metallike				



360322 | Single terminal block M3

- screw type terminal block, THR solderable, double solder pins
- direction of connection 90°
- wire protector
- color metal
- Tape & Reel packaging
- open construction, screw brought down by hand (transport safety)

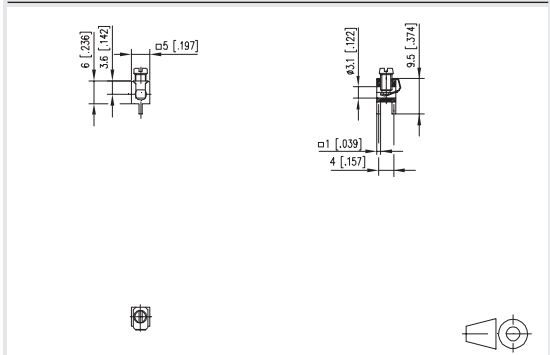
Technical data

U| A / AWG 15 / 30 - 16

SP A / AWG 15 / 30 - 16

Rated wiring solid wire	0.05 - 1.5 mm ²
Rated wiring stranded wire	0.05 - 1.0 mm ²
Rated wiring solid wire	AWG 30 - 16
Rated wiring stranded wire	AWG 30 - 18
Solder pin dimension	2 x 1.0 mm
Recommended pc board hole dia.	ø 1.5 mm
Solder pin length	3.5 mm
Protection category according to IEC 60529	IP 00
Color	metallike

Dimensional drawing



P/N	Color	Feature 1	Feature 2		
360322	metallike				



360381 | Single terminal block M3

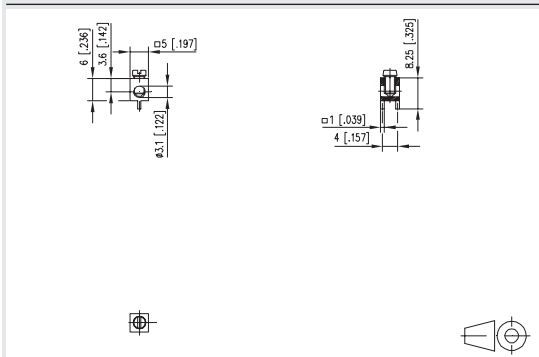
- screw type terminal block, THR solderable, double solder pins
- direction of connection 90°
- color metal
- Tape & Reel packaging
- open construction, screw brought down by hand (transport safety)

Technical data

0.5 - 2.5 mm² AWG 30 - 12 / 16 A

Rated wiring solid wire	0.5 - 2.5 mm ²
Rated wiring stranded wire	0.5 - 2.5 mm ²
Rated wiring solid wire	AWG 30 - 12
Rated wiring stranded wire	AWG 30 - 12
Solder pin dimension	2 x 1.0 mm
Recommended pc board hole dia.	ø 1.5 mm
Solder pin length	2.25 mm
Protection category according to IEC 60529	IP 00
Color	metallike

Dimensional drawing



P/N	Color	Feature 1	Feature 2		
360381	metallike				



360291 | Single terminal block M3

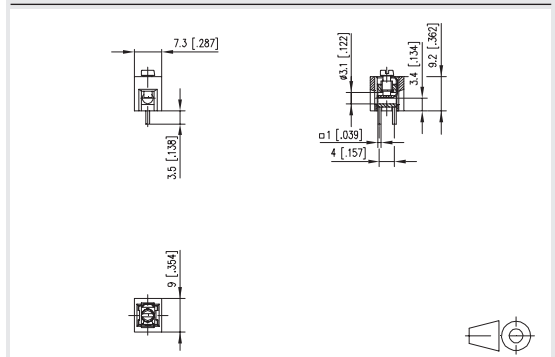
- screw type terminal block, solderable, double solder pins
- direction of connection 90°
- wire protector
- color black
- with molded housing, screw brought down by hand (transport safety)

Technical data

UL V / A / AWG 50 / 15 / 22 - 14

Overvoltage category	III	III	II
Pollution degree	3	2	2
Rated test voltage	0.8 kV	4 kV	2.5 kV
Rated wiring solid wire	0.33 - 2 mm ²		
Rated wiring stranded wire	0.33 - 1.5 mm ²		
Rated wiring solid wire	AWG 22 - 14		
Rated wiring stranded wire	AWG 22 - 14		
Solder pin dimension	2 x 1.0 mm		
Recommended pc board hole dia.	ø 1.5 mm		
Solder pin length	3.5 mm		
Color	black		

Dimensional drawing



P/N	Color	Feature 1	Feature 2		
360291	black				



360271 | Single terminal block M3

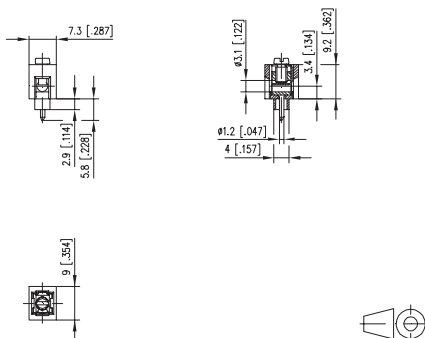
- screw type terminal block, solderable
- direction of connection 90°
- wire protector
- color black
- with molded housing, single solder pin, screw brought down by hand (transport safety)

Technical data

UL US V / A / AWG 50 / 15 / 24 - 14

Overvoltage category	III	III	II
Pollution degree	3	2	2
Rated test voltage	0.8 kV	4 kV	2.5 kV
Rated wiring solid wire	0.33 - 2 mm ²		
Rated wiring stranded wire	0.33 - 1.5 mm ²		
Rated wiring solid wire	AWG 22 - 14		
Rated wiring stranded wire	AWG 22 - 14		
Solder pin dimension	1.2 mm		
Recommended pc board hole dia.	ø 1.5 mm		
Solder pin length	2.9 mm		
Color	black		

Dimensional drawing



P/N	Color	Feature 1	Feature 2		
360271	black				



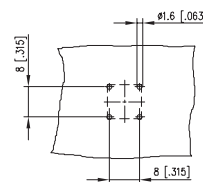
360425 | Single terminal block M4

- screw type terminal block, THR solderable
- direction of connection 90°
- color metal

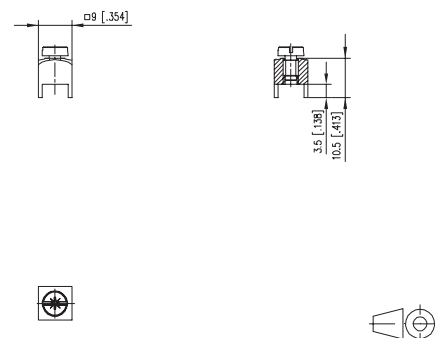
Technical data

Rated current	50 A
Solder pin dimension	1.0 x 1.0 mm
Recommended pc board hole dia.	ø 1.6 mm
Solder pin length	3.5 mm
Protection category according to IEC 60529	IP 00
Color	metallike

Drill pattern



Dimensional drawing



P/N	Color	Feature 1	Feature 2		
360425	metallike				

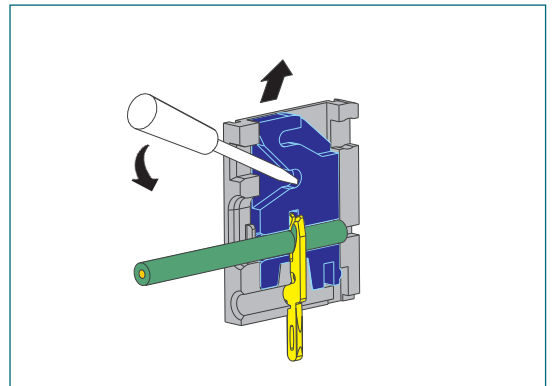
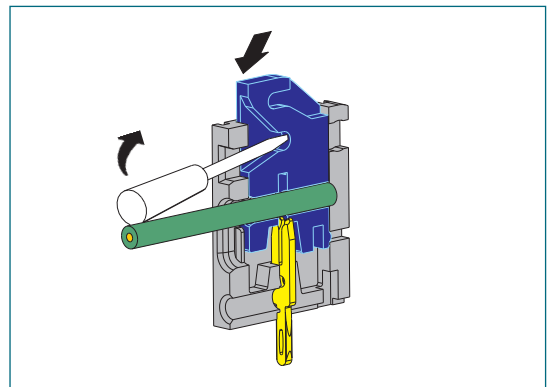
IDC type terminal blocks

Design specification

The product family of IDC type terminal blocks consists of terminal blocks that are based on the principle of strip-free technology.

The product family of insulation displacement connectors consists of terminal blocks based on the principle of insulation displacement technology. By insulation displacement, we mean an electrical connection that is created by the cutting the insulation of the individual conductor inside the terminal block with a knife contact. It is suitable for solid and stranded copper wires and allows direct clamping without pre-treatment of the conductor. The insulation material has to be PVC or another material with properties that harmonize with the cut and clamp action. That means complete displacement of the insulation material by the inner knife flanks should be possible without damaging the conductor. In addition the insulation sleeve of stranded conductors has to be able to keep the single wires in place so that they are not displaced during the termination process.

We would be pleased to advise you!



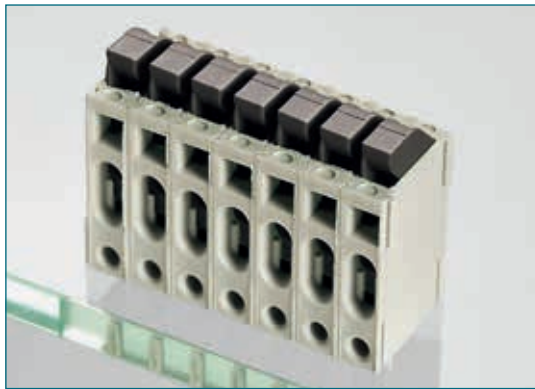
IDC type terminal blocks

Printing options

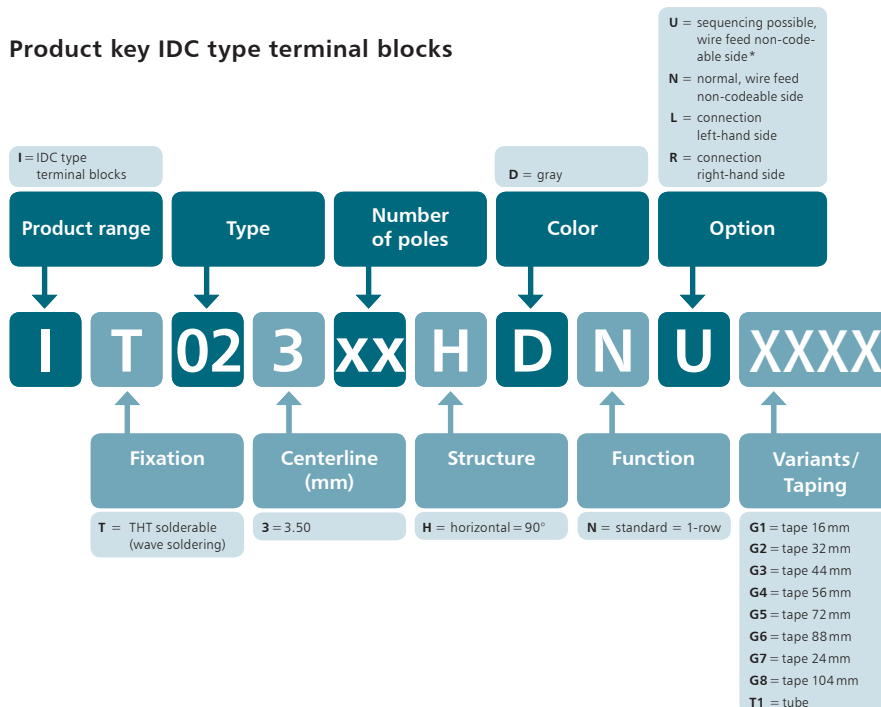
We offer individual printing of your terminal blocks. Figures or symbols, anti-clockwise or clockwise, legible or bottom up depending on the technical feasibility. Ink-jet print, pad printing and hot stamping are available as methods. Design your individual terminal block with us.

Color options

You can order the terminal blocks in a variety of sizes and also often vary the colors within a terminal block, if required. This is for instance helpful in housing integration to achieve an optically attractive overall picture and to us this as a further coding option. We would be pleased to advise you on the possible combinations.





























Product key IDC type terminal blocks



* Sequencing possible means the mechanical sequencing without loss of poles (by dovetails).

Symbol Definition

Guiding icons

	Spring clamp terminal block		Wire protector
	IDC terminal block		modular
	Screw type terminal block		Pin header for vertical mounting
	Pin header		Shrouded pin header for vertical mounting
	Female connector		Pin header with open ends for vertical mounting
	Ethernet M12		Pin header with closed ends for vertical mounting
	solderable		Pin header for horizontal mounting
	pluggable		Shrouded pin header for horizontal mounting
	Centerline		Pin header with open ends for horizontal mounting
	Wire entry 90°		Pin header with closed ends for horizontal mounting
	Diagonal wire entry		designed for THR
	Wire entry 0°		designed for SMT
	Lift system		Tape & Reel possible



Product family Pole size Color Option
IT02 3xxHDNU*(AIT023)
Centerline Design Function *old product name

- insulation displacement connector, solderable
- centerline 3.50 mm, direction of connection 90°
- lift system, modular
- color gray

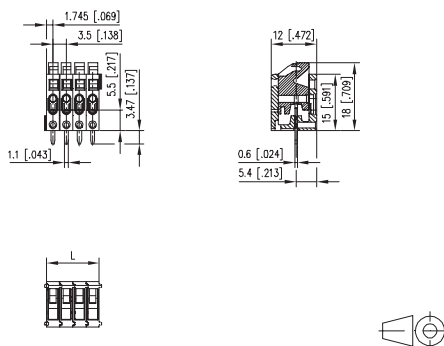
Technical data

150 V / A / AWG 150 / 2.5 / 24 - 22

0.34 mm² 130 V / 5 A / T60

Overvoltage category	III	III	II
Pollution degree	3	2	2
Rated voltage	160 V	400 V	400 V
Rated test voltage	2.5 kV	2.5 kV	2.5 kV
Insulating material class	CTI 600		
Rated wiring solid wire	0.2 - 0.34 mm ²		
Rated wiring stranded wire	0.2 - 0.34 mm ²		
Rated wiring solid wire	AWG 24 - 22		
Rated wiring stranded wire	AWG 24 - 22		
Clearance and creepage distances	2.3 mm		
Solder pin dimension	0.6 x 1.1 mm		
Recommended pc board hole dia.	ø 1.4 mm		
Solder pin length	3.5 mm		
Protection category according to IEC 60529	IP 20		
Color	gray		

Dimensional drawing



L = (Pole size - 1) * centerline + 3.5 mm (0.138 in.)

P/N

AIT023

Complete the part number by adding the pole size.

	02	03	04	05	06	07	08
09	10	11	12	13	14	15	16
17	18	19	20	21	22	23	24

(Information: page 135)

Standard pole sizes

Pin headers & female connectors

1	Overview	
	Pin headers & female connectors	140
2	Pin headers	145
3	Female connectors	197

Pin headers and female connectors



Pin headers and female connectors

For a combination with terminal blocks, METZ CONNECT offers also a large product portfolio of pin headers and female connectors. We offer pin headers and female connectors for standard soldering processes as well as reflow-capable versions as THR or SMD/SMT, as loose bulk goods or as Tape & Reel solutions.

We offer pin headers and female connectors with various centerlines and different numbers of poles for vertical and horizontal mounting solutions.

We offer individual printing of your pin headers and female connectors according to your demands and do also offer various base colors.



Pin headers and female connectors

Design specification

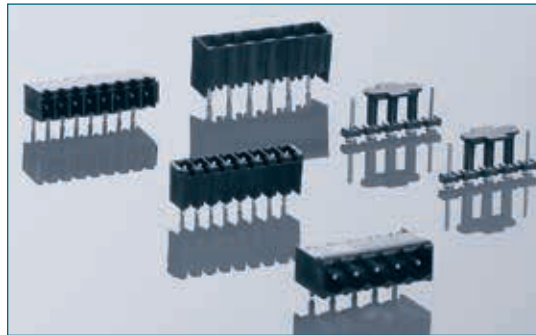
Contact pins

Contact pins are made of a wrought copper alloy and have a surface protection. Silver plating is available as a standard procedure.

Electro tin-plating, gold flash plating or hard gold-plating are possible on request.

Note regarding the storage of pin headers/female connectors with passivated silver pins:

- closed in poly-bags and not directly in the cardboard packaging
- no direct sunlight
- room temperature
- no exposure to aggressive ambient conditions



Coding

Some of the pin headers/female connectors with open or closed ends can be coded by inserting coding pins into the respective slots. If coded correctly, the ridges of the respective coding pins slide past each other and terminal block and pin header/female connector mate. This method of coding enables a plug connector to be distinctively assembled without loss of a pole.

Reflow-compatible components



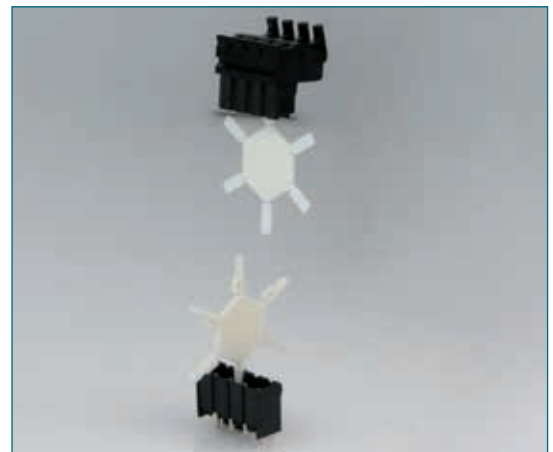
METZ CONNECT offers a wide range of pin headers/female connectors in reflow-compatible designs. The demand for components that can be soldered by THR (through hole reflow) or SMT (surface mount technology) is constantly growing thanks to ever increasing degrees of automation in the production processes. In addition, the use of pin headers/female connectors in combination with the pluggable terminals and spring clamp terminal blocks as counter pieces is already an intelligent solution for flexible connection tasks in the PC board environment anyway. Through the THR method, pin headers can be processed along with SMT components in the reflow soldering process. We also have a range of "Tape & Reel" pin headers and female connectors for automatic assembly. Please ask us about these, we would be pleased to show you our solutions.



"Tape & Reel" is the name given to a taped form of packaging. The aim of this packaging variant is to automate production processes. The components are packed in a blister tape and welded in a protective foil. This tape is then wound round a reel. Taping corresponds to DIN EN 60286.

METZ CONNECT standard:

- Reel diameter: 15" (13", 7" on request)
- Tape width: according to standard, depending on the number of positions



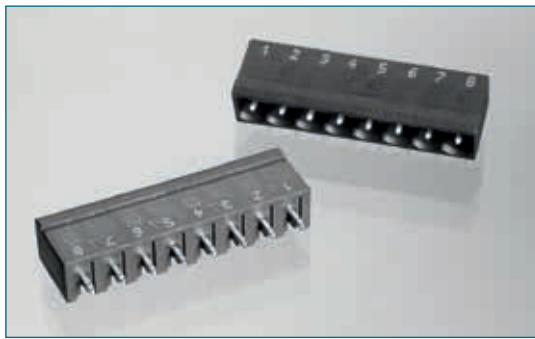
Pin headers and female connectors

Printing options

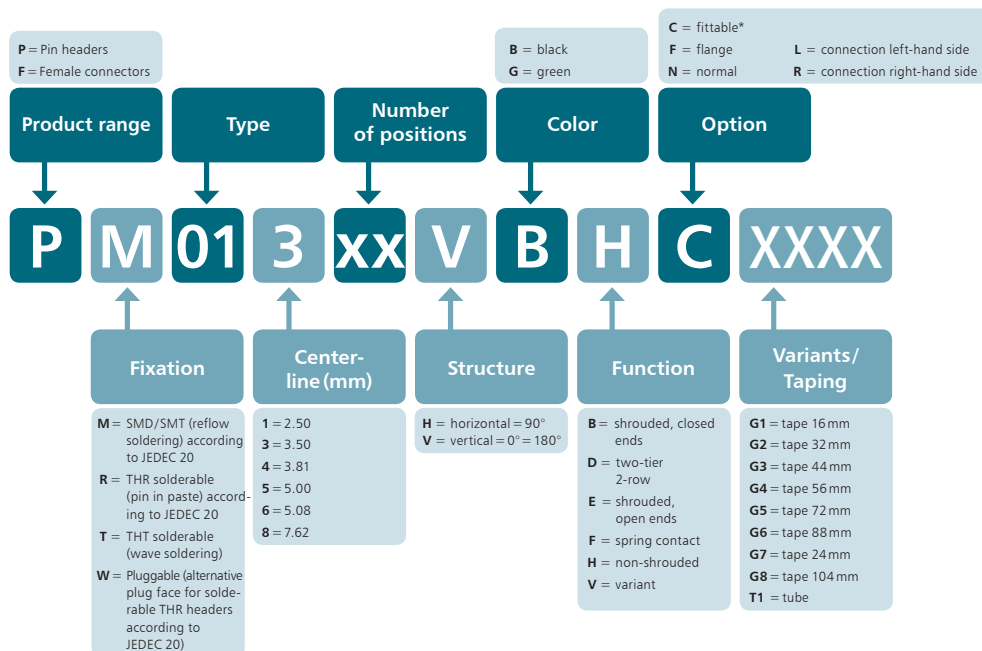
We offer individual printing of your headers/socket panels. Figures or symbols, anti-clockwise or clockwise, legible or bottom up depending on the technical feasibility. Ink-jet print, pad printing and hot stamping are available as methods. Design your individual header with us.

Color options

You can order the headers/socket panels in a variety of basic colors. This is for instance helpful in housing integration to achieve an optically attractive overall picture and to us this as a further coding option. We would be pleased to advise you on the possible colors.













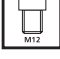















Product key pin headers and female connectors



* Fittable stands for loose sequencing without loss of poles (without dovetails).

Symbol Definition

Guiding icons

	Spring clamp terminal block		Wire protector
	IDC terminal block		modular
	Screw type terminal block		Pin header for vertical mounting
	Pin header		Shrouded pin header for vertical mounting
	Female connector		Pin header with open ends for vertical mounting
	Ethernet M12		Pin header with closed ends for vertical mounting
	solderable		Pin header for horizontal mounting
	pluggable		Shrouded pin header for horizontal mounting
	Centerline		Pin header with open ends for horizontal mounting
	Wire entry 90°		Pin header with closed ends for horizontal mounting
	Diagonal wire entry		designed for THR
	Wire entry 0°		designed for SMT
	Lift system		Tape & Reel possible

Terminal blocks

for PT091xxHGBN Page

SP051xxVGNN (ASP051) 47

Terminal blocks

for PT091xxVGBN Page

SP051xxVGNN (ASP051) 47



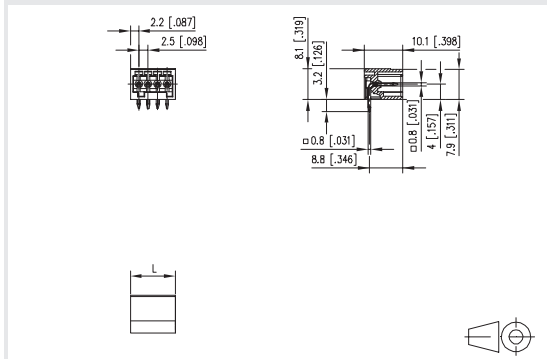
Product family Pole size Color Option
PT091xxHGBN*(Type 374)
Centerline Design Function *old product name

- pin header, solderable
- centerline 2.50 mm, direction of connection 90°
- closed ends
- color green

Technical data

us V / A	150 / 5		
6 A / 80 V / 2.5 kV / 3 IEC 61984			
Overvoltage category	III	III	II
Pollution degree	3	2	2
Rated voltage	80 V	320 V	320 V
Rated test voltage	2.5 kV	2.5 kV	2.5 kV
Insulating material class	CTI 600		
Clearance and creepage distances	1.7 mm		
Solder pin dimension	0.8 x 0.8 mm		
Recommended pc board hole dia.	ø 1.3 mm		
Solder pin length	3.2 mm		
Protection category according to IEC 60529	IP 00		
Color	green		

Dimensional drawing



L = (Pole size - 1) * centerline + 4.4 mm (0.173 in.)

P/N **313741**

Complete the part number by adding the pole size.

	02	03	04	05	06	07	08
09	10	11	12				

(Information: page 143)

Standard pole sizes



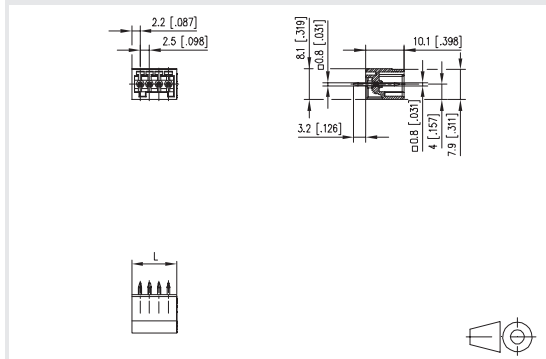
Product family Pole size Color Option
PT091xxVGBN*(Type 373)
Centerline Design Function *old product name

- pin header, solderable
- centerline 2.50 mm, direction of connection vertical 0°
- closed ends
- color green

Technical data

us V / A	150 / 5		
6 A / 80 V / 2.5 kV / 3 IEC 61984			
Overvoltage category	III	III	II
Pollution degree	3	2	2
Rated voltage	80 V	320 V	320 V
Rated test voltage	2.5 kV	2.5 kV	2.5 kV
Insulating material class	CTI 600		
Clearance and creepage distances	1.7 mm		
Solder pin dimension	0.8 x 0.8 mm		
Recommended pc board hole dia.	ø 1.3 mm		
Solder pin length	3.2 mm		
Protection category according to IEC 60529	IP 00		
Color	green		

Dimensional drawing



L = (Pole size - 1) * centerline + 4.4 mm (0.173 in.)

P/N **313731**

Complete the part number by adding the pole size.

	02	03	04	05	06	07	08
09	10	11	12				

(Information: page 143)

Standard pole sizes

Terminal blocks

for PR013xxVBHC **Page**
 RP023xxHBNF (Type 165) 100

Terminal blocks

for PR043xxHBBN **Page**
 SP043xxVBNN (ASP043) 48
 SP063xxVGNN (ASP063) 49
 RP043xxHBLC (Type 614) 101
 RP043xxHBLD (Type 613) 101
 RP033xxVBLC (Type 339) 105
 FT143xxVBFC (Type 089) 197

Accessories

for PR043xxHBBN **Page**
 720293 296



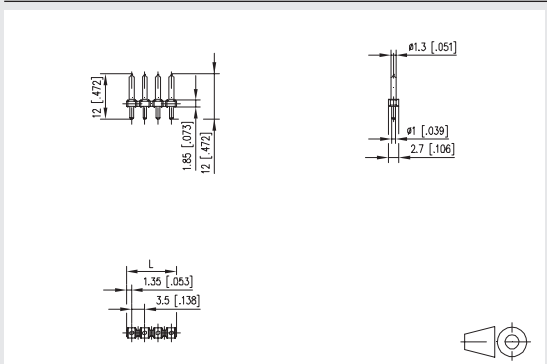
Product family Pole size Color Option
PR013xxVBHC *(Type 024)
 Centerline Design Function *old product name

- pin header, THR solderable
- centerline 3.50 mm, direction of connection vertical 0°
- fittable without loss of poles
- color black
- Tape & Reel packaging

Technical data

c UL us V / A	125 / 10		
Overvoltage category	III	III	II
Pollution degree	3	2	2
Rated voltage	160 V	320 V	320 V
Rated test voltage	2.5 kV	2.5 kV	2.5 kV
Insulating material class	CTI 400		
Clearance and creepage distances	2.5 mm		
Solder pin dimension	1.0 mm		
Recommended pc board hole dia.	ø 1.3 mm		
Solder pin length	5.2 mm		
Protection category according to IEC 60529	IP 00		
Color	black		

Dimensional drawing



L = (Pole size - 1) * centerline + 3.5 mm (0.138 in.)

P/N **310241**

Complete the part number by adding the pole size.

	02	03	04	05	06	07	08
09	10	11	12	13	14	15	16
17	18	19	20	21	22	23	24

(Information: page 143)

Standard pole sizes



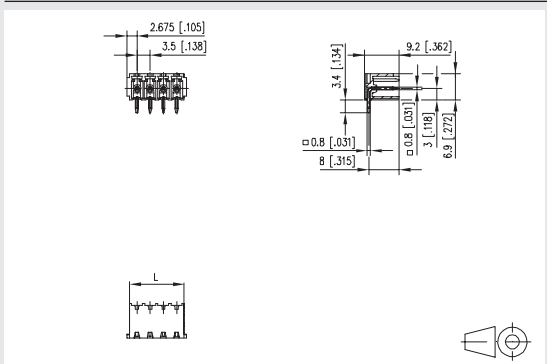
Product family Pole size Color Option
PR043xxHBBN *(Type 188)
 Centerline Design Function *old product name

- pin header, THR solderable
- centerline 3.50 mm, direction of connection 90°
- closed ends
- color black
- Tape & Reel packaging
- codeable

Technical data

c UL us V / A	300 / 10		
SEV 10 A / 130 V / 2.5 kV / 3 IEC 61984			
Overvoltage category	III	III	II
Pollution degree	3	2	2
Rated voltage	200 V	500 V	500 V
Rated test voltage	2.5 kV	2.5 kV	2.5 kV
Insulating material class	CTI 600		
Clearance and creepage distances	2.7 mm		
Solder pin dimension	0.8 x 0.8 mm		
Recommended pc board hole dia.	ø 1.3 mm		
Solder pin length	3.4 mm		
Protection category according to IEC 60529	IP 00		
Color	black		

Dimensional drawing



L = (Pole size - 1) * centerline + 5.35 mm (0.211 in.)

P/N **311881**

Complete the part number by adding the pole size.

	02	03	04	05	06	07	08
09	10	11	12	13	14	15	16

(Information: page 143)

Standard pole sizes

Terminal blocks

for PR043xxHBBF	Page
SP063xxVGNF (ASP083)	49
RP043xxHBLF (Type 634)	102
RP043xxHBL5 (Type 633)	102

Accessories

for PR043xxHBBF	Page
720293	296

Terminal blocks

for PW063xxHBEC	Page
SW063xxVBNN	48
FW143xxVBFC	197



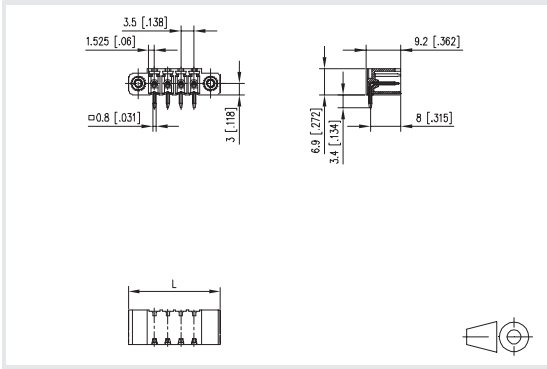
PR043xxHBB F *(Type 388)
 Centerline Design Function *old product name

- pin header, THR solderable
- centerline 3.50 mm, direction of connection 90°
- closed ends
- color black, mounting flange
- Tape & Reel packaging
- codeable

Technical data

UL V / A	300 / 10
10 A / 130 V / 2.5 kV / 3 IEC 61984	
Overvoltage category	III III II
Pollution degree	3 2 2
Rated voltage	200 V 500 V 500 V
Rated test voltage	2.5 kV 2.5 kV 2.5 kV
Insulating material class	CTI 600
Clearance and creepage distances	2.7 mm
Solder pin dimension	0.8 x 0.8 mm
Recommended pc board hole dia.	ø 1.3 mm
Solder pin length	3.4 mm
Protection category according to IEC 60529	IP 00
Color	black

Dimensional drawing



L = (Pole size - 1) * centerline + 13.8 mm (0.543 in.)

P/N **313881**

Complete the part number by adding the pole size.

	02	03	04	05	06	07	08
09	10	11	12	13	14	15	16

(Information: page 143)

Standard pole sizes



PW063xxHBEC *(Type 527)
 Centerline Design Function *old product name

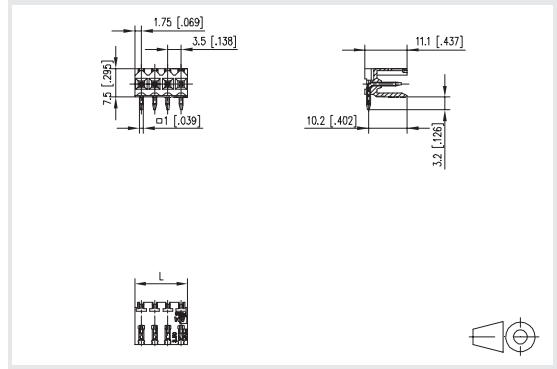
- pin header, THR solderable
- centerline 3.50 mm, direction of connection 90°
- open ends, fittable without loss of poles
- color black
- Tape & Reel packaging
- with alternative face, codeable

Technical data

* Approval pending

UL V / A	300 / 10
10 A / 130 V / 2.5 kV / 3 IEC 61984	
Overvoltage category	III III II
Pollution degree	3 2 2
Rated voltage	160 V 320 V 320 V
Rated test voltage	2.5 kV 2.5 kV 2.5 kV
Insulating material class	CTI 400
Clearance and creepage distances	2.48 mm
Solder pin dimension	1.0 x 1.0 mm
Recommended pc board hole dia.	ø 1.4 mm
Solder pin length	3.2 mm
Protection category according to IEC 60529	IP 10
Color	black

Dimensional drawing



L = (Pole size - 1) * centerline + 3.5 mm (0.138 in.)

P/N **315271**

Complete the part number by adding the pole size.

	02	03	04	05	06	07	08
09	10	11	12	13	14	15	16
17	18	19	20	21	22	23	24

(Information: page 143)

Standard pole sizes

Terminal blocks

for PW063xxHBBN	Page
SW063xxVBNN	48
RW043xxHBLC (Type 514)	103
RW043xxHBLD (Type 513)	103
FW143xxVBFC	197

Terminal blocks

for PW063xxHBBF	Page
RW043xxHBLF (Type 534)	104
RW043xxHBL (Type 533)	104



* Approval pending



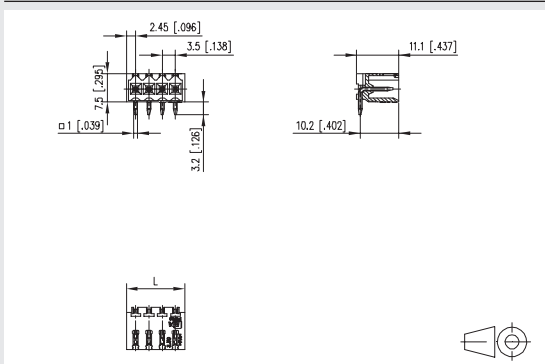
Product family Pole size Color Option
PW063xxHBBN *(Type 523)
 Centerline Design Function *old product name

- pin header, THR solderable
- centerline 3.50 mm, direction of connection 90°
- closed ends
- color black
- Tape & Reel packaging
- with alternative face, codeable

Technical data

V / A	300 / 10		
10 A / 130 V / 2.5 kV / 3 IEC 61984			
Overvoltage category	III	III	II
Pollution degree	3	2	2
Rated voltage	160 V	320 V	320 V
Rated test voltage	2.5 kV	2.5 kV	2.5 kV
Insulating material class	CTI 400		
Clearance and creepage distances	2.48 mm		
Solder pin dimension	1.0 x 1.0 mm		
Recommended pc board hole dia.	ø 1.4 mm		
Solder pin length	3.2 mm		
Protection category according to IEC 60529	IP 10		
Color	black		

Dimensional drawing



L = (Pole size - 1) * centerline + 4.9 mm (0.193 in.)

P/N **315231**

Complete the part number by adding the pole size.

	02	03	04	05	06	07	08
09	10	11	12	13	14	15	16
17	18	19	20	21	22	23	24

(Information: page 143)

Standard pole sizes



* Approval pending



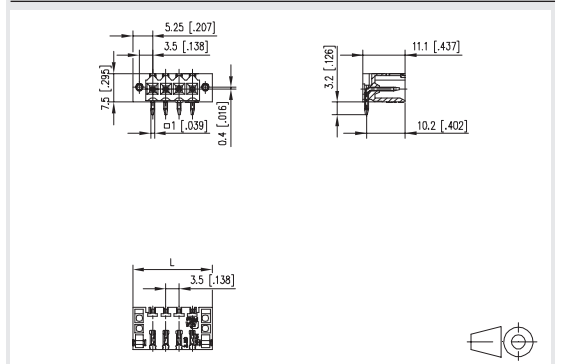
Product family Pole size Color Option
PW063xxHBBF *(Type 525)
 Centerline Design Function *old product name

- pin header, THR solderable
- centerline 3.50 mm, direction of connection 90°
- closed ends
- color black, mounting flange
- Tape & Reel packaging
- with alternative face, codeable

Technical data

V / A	300 / 10		
10 A / 130 V / 2.5 kV / 3 IEC 61984			
Overvoltage category	III	III	II
Pollution degree	3	2	2
Rated voltage	160 V	320 V	320 V
Rated test voltage	2.5 kV	2.5 kV	2.5 kV
Insulating material class	CTI 400		
Clearance and creepage distances	2.48 mm		
Solder pin dimension	1.0 x 1.0 mm		
Recommended pc board hole dia.	ø 1.4 mm		
Solder pin length	3.2 mm		
Protection category according to IEC 60529	IP 10		
Color	black		

Dimensional drawing



L = (Pole size - 1) * centerline + 10.5 mm (0.413 in.)

P/N **315251**

Complete the part number by adding the pole size.

	02	03	04	05	06	07	08
09	10	11	12	13	14	15	16
17	18	19	20	21	22	23	24

(Information: page 143)

Standard pole sizes

Terminal blocks

for PT093xxHBBN	Page
SP043xxVBNN (ASP043)	48
SP063xxVGNN (ASP063)	49
RP043xxHBLC (Type 614)	101
RP043xxHBLD (Type 613)	101
RP033xxVBLC (Type 339)	105
FT143xxVBFC (Type 089)	197

Accessories

for PT093xxHBBN	Page
LED-light transmitter for headers, pluggable	295
720293	296

Terminal blocks

for PT093xxHBBF	Page
SP063xxVGNF (ASP083)	49
RP043xxHBLF (Type 634)	102
RP043xxHBL5 (Type 633)	102

Accessories

for PT093xxHBBF	Page
LED-light transmitter for headers, pluggable	295
720293	296





Product family Pole size Color Option

PT093xxHBBN *(Type 342)

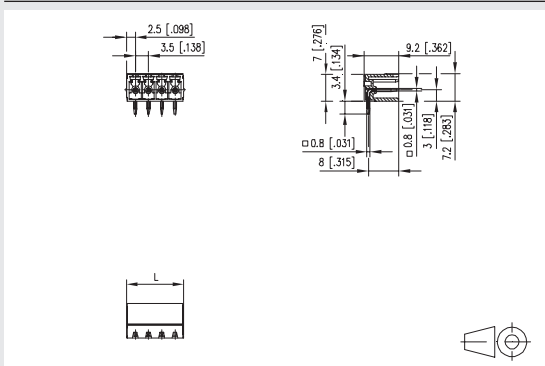
Centerline Design Function *old product name

- pin header, solderable
- centerline 3.50 mm, direction of connection 90°
- closed ends
- color black
- codeable

Technical data

UL V / A	300 / 8		
9 A / 125 V / 2.5 kV / 3 IEC 61984			
Overvoltage category	III	III	II
Pollution degree	3	2	2
Rated voltage	200 V	500 V	500 V
Rated test voltage	2.5 kV	2.5 kV	2.5 kV
Insulating material class	CTI 600		
Clearance and creepage distances	2.7 mm		
Solder pin dimension	0.8 x 0.8 mm		
Recommended pc board hole dia.	ø 1.4 mm		
Solder pin length	3.5 mm		
Protection category according to IEC 60529	IP 00		
Color	black		

Dimensional drawing



L = (Pole size - 1) * centerline + 5 mm (0.197 in.)

P/N **313421**

Complete the part number by adding the pole size.

02	03	04	05	06	07	08	
09	10	11	12	13	14	15	16

(Information: page 143)

Standard pole sizes





Product family Pole size Color Option

PT093xxHBBF *(Type 394)

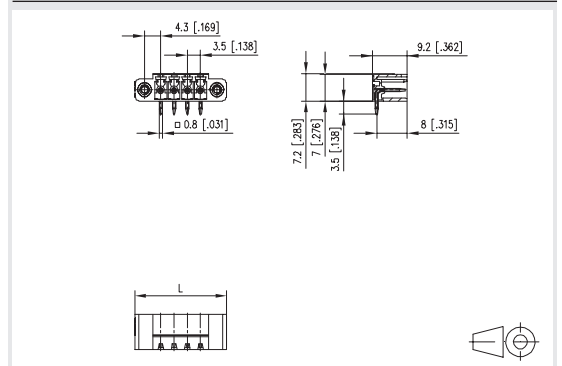
Centerline Design Function *old product name

- pin header, solderable
- centerline 3.50 mm, direction of connection 90°
- closed ends
- color black, mounting flange
- codeable

Technical data

UL V / A	300 / 8		
9 A / 125 V / 2.5 kV / 3 IEC 61984			
Overvoltage category	III	III	II
Pollution degree	3	2	2
Rated voltage	200 V	500 V	500 V
Rated test voltage	2.5 kV	2.5 kV	2.5 kV
Insulating material class	CTI 600		
Clearance and creepage distances	2.7 mm		
Solder pin dimension	0.8 x 0.8 mm		
Recommended pc board hole dia.	ø 1.4 mm		
Solder pin length	3.5 mm		
Protection category according to IEC 60529	IP 00		
Color	black		

Dimensional drawing



L = (Pole size - 1) * centerline + 13.8 mm (0.543 in.)

P/N **313941**

Complete the part number by adding the pole size.

02	03	04	05	06	07	08	
09	10	11	12	13	14	15	16

(Information: page 143)

Standard pole sizes


Terminal blocks

for PT113xxHBBN **Page**
 RP013xxVBWN (Type 169) **105**


Accessories

for PT113xxHBBN **Page**
 720243 **296**
 720243 **297**

Terminal blocks



for PR033xxVBHC **Page**
 RP023xxHBWC (Type 166) **100**



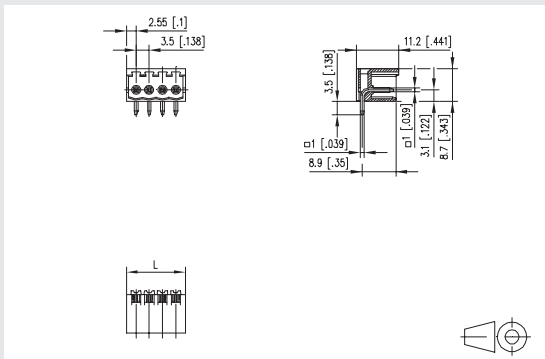

 Product family Pole size Color Option
PT113xxHBBN *(Type 182)
 Centerline Design Function *old product name

- pin header, solderable
- centerline 3.50 mm, direction of connection 90°
- closed ends
- color black
- codeable

Technical data

	300 / 10		
	6 A / 125 V / 2.5 kV / 3 IEC 61984		
Overvoltage category	III	III	II
Pollution degree	3	2	2
Rated voltage	200 V	500 V	500 V
Rated test voltage	2.5 kV	2.5 kV	2.5 kV
Insulating material class	CTI 600		
Clearance and creepage distances	2.5 mm		
Solder pin dimension	1.0 x 1.0 mm		
Recommended pc board hole dia.	ø 1.5 mm		
Solder pin length	3.5 mm		
Protection category according to IEC 60529	IP 00		
Color	black		

Dimensional drawing



L = (Pole size - 1) * centerline + 5.1 mm (0.201 in.)

P/N **311821**


Complete the part number by adding the pole size.

	02	03	04	05	06	07	08
09	10	11	12	13	14	15	16
17	18						

(Information: page 143)


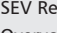
Standard pole sizes



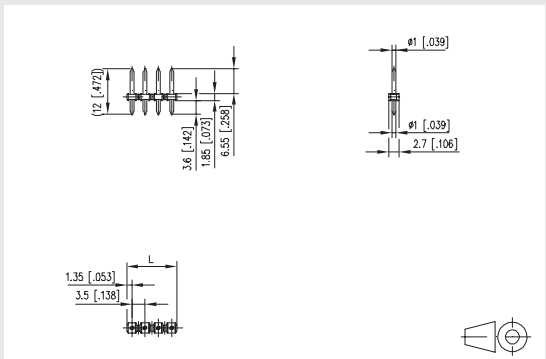

 Product family Pole size Color Option
PR033xxVBHC *(Type 224)
 Centerline Design Function *old product name

- pin header, THR solderable
- centerline 3.50 mm, direction of connection vertical 0°
- fittable without loss of poles
- color black
- Tape & Reel packaging

Technical data

	300 / 15		
	6 A / 200 V / 2.5 kV / 3 IEC 61984		
Overvoltage category	III	III	II
Pollution degree	3	2	2
Rated voltage	200 V	500 V	500 V
Rated test voltage	2.5 kV	2.5 kV	2.5 kV
Insulating material class	CTI 600		
Clearance and creepage distances	2.5 mm		
Solder pin dimension	1.0 mm		
Recommended pc board hole dia.	ø 1.3 mm		
Solder pin length	3.6 mm		
Protection category according to IEC 60529	IP 00		
Color	black		

Dimensional drawing



L = (Pole size - 1) * centerline + 2.7 mm (0.106 in.)

P/N **312241**

Complete the part number by adding the pole size.

	02	03	04	05	06	07	08
09	10	11	12	13	14	15	16
17	18	19	20	21	22	23	24

(Information: page 143)

Standard pole sizes

Terminal blocks

for PR043xxVBNN	Page
SP043xxVBNN (ASP043)	48
SP063xxVGNN (ASP063)	49
RP043xxHBLC (Type 614)	101
RP043xxHBLD (Type 613)	101
RP033xxVBLC (Type 339)	105
FT143xxVBFC (Type 089)	197

Accessories

for PR043xxVBNN	Page
720293	296

Terminal blocks

for PR043xxVBBF	Page
SP063xxVGNF (ASP083)	49
RP043xxHBLF (Type 634)	102
RP043xxHBL (Type 633)	102

Accessories

for PR043xxVBBF	Page
720293	296



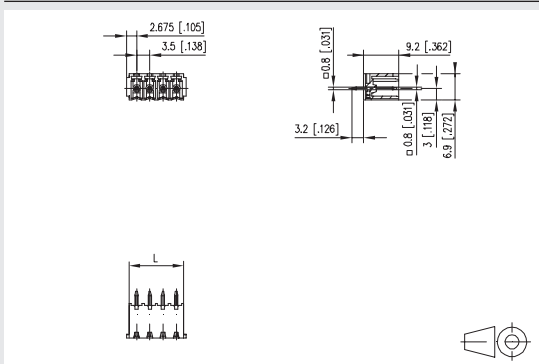
PR043xxVBNN *(Type 189)
 Product family Pole size Color Option
 Centerline Design Function *old product name

- pin header, THR solderable
- centerline 3.50 mm, direction of connection vertical 0°
- closed ends
- color black
- Tape & Reel packaging
- codeable

Technical data

V / A	300 / 10		
10 A / 130 V / 2.5 kV / 3 IEC 61984			
Overvoltage category	III	III	II
Pollution degree	3	2	2
Rated voltage	200 V	500 V	500 V
Rated test voltage	2.5 kV	2.5 kV	2.5 kV
Insulating material class	CTI 600		
Clearance and creepage distances	2.7 mm		
Solder pin dimension	0.8 x 0.8 mm		
Recommended pc board hole dia.	ø 1.3 mm		
Solder pin length	3.2 mm		
Protection category according to IEC 60529	IP 00		
Color	black		

Dimensional drawing



$L = (\text{Pole size} - 1) * \text{centerline} + 5.35 \text{ mm (0.211 in.)}$

Complete the part number by adding the pole size.

P/N **311891**

	02	03	04	05	06	07	08
09	10	11	12	13	14	15	16

(Information: page 143)

Standard pole sizes



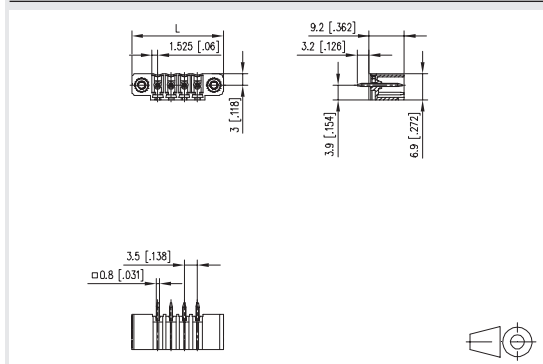
PR043xxVBBF *(Type 389)
 Product family Pole size Color Option
 Centerline Design Function *old product name

- pin header, THR solderable
- centerline 3.50 mm, direction of connection vertical 0°
- closed ends
- color black, mounting flange
- Tape & Reel packaging
- codeable

Technical data

V / A	300 / 10		
10 A / 130 V / 2.5 kV / 3 IEC 61984			
Overvoltage category	III	III	II
Pollution degree	3	2	2
Rated voltage	200 V	500 V	500 V
Rated test voltage	2.5 kV	2.5 kV	2.5 kV
Insulating material class	CTI 600		
Clearance and creepage distances	2.7 mm		
Solder pin dimension	0.8 x 0.8 mm		
Recommended pc board hole dia.	ø 1.3 mm		
Solder pin length	3.2 mm		
Protection category according to IEC 60529	IP 00		
Color	black		

Dimensional drawing



$L = (\text{Pole size} - 1) * \text{centerline} + 13.8 \text{ mm (0.543 in.)}$

Complete the part number by adding the pole size.

P/N **313891**

	02	03	04	05	06	07	08
09	10	11	12	13	14	15	16

(Information: page 143)

Standard pole sizes

Terminal blocks

for PW063xxVBEC	Page
SW063xxVBNN	48
FW143xxVBFC	197

Terminal blocks

for PW063xxVBNN	Page
SW063xxVBNN	48
RW043xxHBLC (Type 514)	103
RW043xxHBLD (Type 513)	103
FW143xxVBFC	197



* Approval pending

Product family Pole size Color Option

PW063xxVBEC *(Type 528)

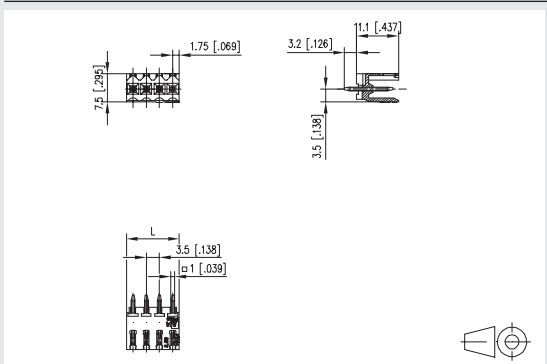
Centerline Design Function *old product name

- pin header, THR solderable
- centerline 3.50 mm, direction of connection vertical 0°
- open ends, fittable without loss of poles
- color black
- Tape & Reel packaging
- with alternative face, codeable

Technical data

V / A	300 / 10		
	10 A / 130 V / 2.5 kV / 3 IEC 61984		
Overvoltage category	III	III	II
Pollution degree	3	2	2
Rated voltage	160 V	320 V	320 V
Rated test voltage	2.5 kV	2.5 kV	2.5 kV
Insulating material class	CTI 400		
Clearance and creepage distances	2.48 mm		
Solder pin dimension	1.0 x 1.0 mm		
Recommended pc board hole dia.	ø 1.4 mm		
Solder pin length	3.2 mm		
Protection category according to IEC 60529	IP 10		
Color	black		

Dimensional drawing



L = (Pole size - 1) * centerline + 3.5 mm (0.138 in.)

P/N

315281

Complete the part number by adding the pole size.

	02	03	04	05	06	07	08
09	10	11	12	13	14	15	16
17	18	19	20	21	22	23	24

(Information: page 143)

Standard pole sizes



* Approval pending

Product family Pole size Color Option

PW063xxVBNN *(Type 524)

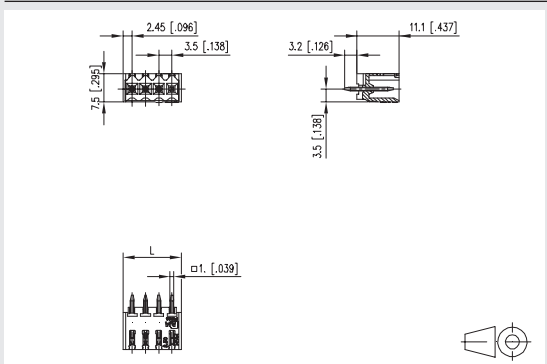
Centerline Design Function *old product name

- pin header, THR solderable
- centerline 3.50 mm, direction of connection vertical 0°
- closed ends
- color black
- Tape & Reel packaging
- with alternative face, codeable

Technical data

V / A	300 / 10		
	10 A / 130 V / 2.5 kV / 3 IEC 61984		
Overvoltage category	III	III	II
Pollution degree	3	2	2
Rated voltage	160 V	320 V	320 V
Rated test voltage	2.5 kV	2.5 kV	2.5 kV
Insulating material class	CTI 400		
Clearance and creepage distances	2.48 mm		
Solder pin dimension	1.0 x 1.0 mm		
Recommended pc board hole dia.	ø 1.4 mm		
Solder pin length	3.2 mm		
Protection category according to IEC 60529	IP 10		
Color	black		

Dimensional drawing



L = (Pole size - 1) * centerline + 4.9 mm (0.193 in.)

P/N

315241

Complete the part number by adding the pole size.

	02	03	04	05	06	07	08
09	10	11	12	13	14	15	16
17	18	19	20	21	22	23	24

(Information: page 143)

Standard pole sizes

Terminal blocks

for PW063xxVBBF Page

RW043xxHBLF (Type 534) 104

RW043xxHBL (Type 533) 104

Terminal blocks

for PM013xxVBHC Page

RP023xxHBWC (Type 166) 100



* Approval pending



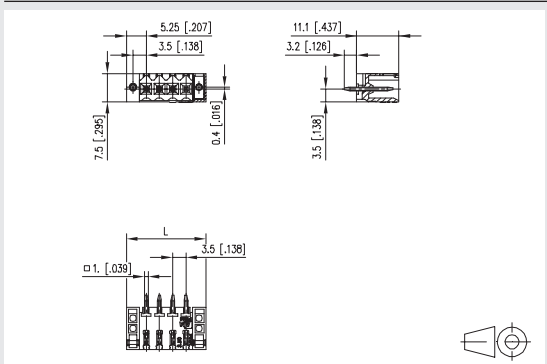
Product family Pole size Color Option
PW063xxVBBF *(Type 526)
Centerline Design Function *old product name

- pin header, THR solderable
- centerline 3.50 mm, direction of connection vertical 0°
- closed ends
- color black, mounting flange
- Tape & Reel packaging
- with alternative face, codeable

Technical data

V / A	300 / 10		
10 A / 130 V / 2.5 kV / 3 IEC 61984			
Overvoltage category	III	III	II
Pollution degree	3	2	2
Rated voltage	160 V	320 V	320 V
Rated test voltage	2.5 kV	2.5 kV	2.5 kV
Insulating material class	CTI 400		
Clearance and creepage distances	2.48 mm		
Solder pin dimension	1.0 x 1.0 mm		
Recommended pc board hole dia.	ø 1.4 mm		
Solder pin length	3.2 mm		
Protection category according to IEC 60529	IP 10		
Color	black		

Dimensional drawing



L = (Pole size - 1) * centerline + 10.5 mm (0.413 in.)

P/N **315261**

Complete the part number by adding the pole size.

	02	03	04	05	06	07	08
09	10	11	12	13	14	15	16
17	18	19	20	21	22	23	24

(Information: page 143)

Standard pole sizes



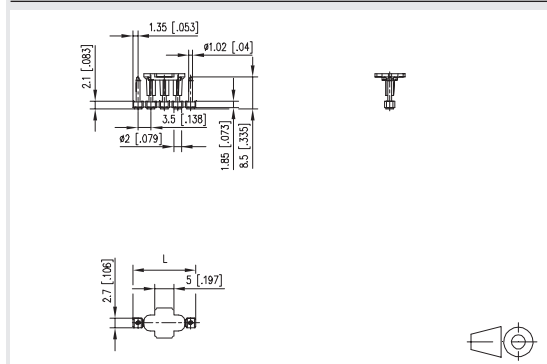
Product family Pole size Color Option
PM013xxVBHC *(Type 424)
Centerline Design Function *old product name

- pin header, SMT solderable
- centerline 3.50 mm, direction of connection vertical 0°
- fittable without loss of poles
- color black
- Tape & Reel packaging

Technical data

V / A	300 / 15		
Overvoltage category	III	III	II
Pollution degree	3	2	2
Rated voltage	32.0 V	200.0 V	200.0 V
Rated test voltage	2.5 kV	2.5 kV	2.5 kV
Insulating material class	CTI 400		
Clearance and creepage distances	1.5 mm		
Solder pin dimension	2.0 mm		
Protection category according to IEC 60529	IP 00		
Color	black		

Dimensional drawing



L = (Pole size - 1) * centerline + 2.7 mm (0.106 in.)

P/N **314241**

Complete the part number by adding the pole size.

	02	03	04	05	06	07	08
09	10	11	12				

(Information: page 143)

Standard pole sizes

Terminal blocks

for PT093xxVBBN	Page
SP043xxVBNN (ASP043)	48
SP063xxVGNN (ASP063)	49
RP043xxHBLC (Type 614)	101
RP043xxHBLD (Type 613)	101
RP033xxVBLC (Type 339)	105
FT143xxVBFC (Type 089)	197

Accessories

for PT093xxVBBN	Page
720293	296

Terminal blocks

for PT113xxVBBN	Page
RP013xxVBWN (Type 169)	105

Accessories

for PT113xxVBBN	Page
720243	296
720243	297



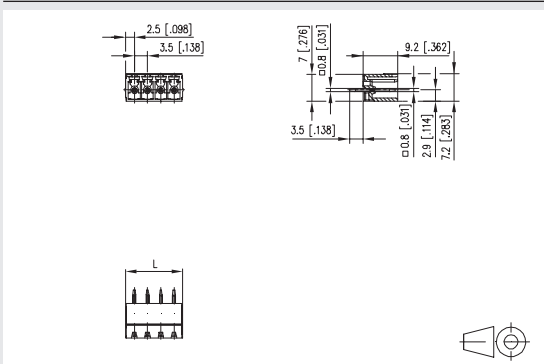
Product family	Pole size	Color	Option
PT093xxVBBN			
Centerline	Design	Function	*old product name

- pin header, solderable
- centerline 3.50 mm, direction of connection vertical 0°
- closed ends
- color black
- codeable

Technical data

UL 94V-0 V / A	300 / 8		
SEV 9 A / 125 V / 2.5 kV / 3 IEC 61984			
Overvoltage category	III	III	II
Pollution degree	3	2	2
Rated voltage	200 V	500 V	500 V
Rated test voltage	2.5 kV	2.5 kV	2.5 kV
Insulating material class	CTI 600		
Clearance and creepage distances	2.7 mm		
Solder pin dimension	0.8 x 0.8 mm		
Recommended pc board hole dia.	ø 1.4 mm		
Solder pin length	3.5 mm		
Protection category according to IEC 60529	IP 00		
Color	black		

Dimensional drawing



$L = (\text{Pole size} - 1) * \text{centerline} + 5 \text{ mm (0.197 in.)}$

P/N **313431**

Complete the part number by adding the pole size.

	02	03	04	05	06	07	08
09	10	11	12	13	14	15	16

(Information: page 143)

Standard pole sizes



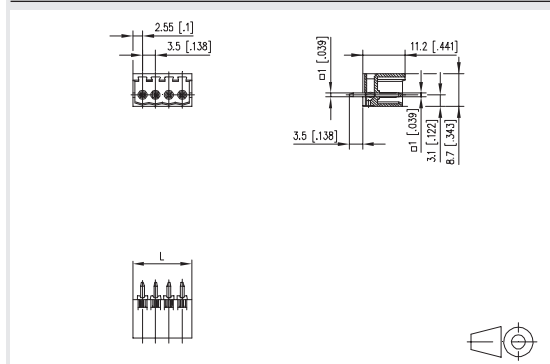
Product family	Pole size	Color	Option
PT113xxVBBN			
Centerline	Design	Function	*old product name

- pin header, solderable
- centerline 3.50 mm, direction of connection vertical 0°
- closed ends
- color black
- codeable

Technical data

UL 94V-0 V / A	300 / 10		
SEV 6 A / 125 V / 2.5 kV / 3 IEC 61984			
Overvoltage category	III	III	II
Pollution degree	3	2	2
Rated voltage	200 V	500 V	500 V
Rated test voltage	2.5 kV	2.5 kV	2.5 kV
Insulating material class	CTI 600		
Clearance and creepage distances	2.5 mm		
Solder pin dimension	1.0 x 1.0 mm		
Recommended pc board hole dia.	ø 1.5 mm		
Solder pin length	3.5 mm		
Protection category according to IEC 60529	IP 00		
Color	black		

Dimensional drawing



$L = (\text{Pole size} - 1) * \text{centerline} + 5.1 \text{ mm (0.201 in.)}$

P/N **311831**

Complete the part number by adding the pole size.

	02	03	04	05	06	07	08
09	10	11	12	13	14	15	16
17	18						

(Information: page 143)

Standard pole sizes

Terminal blocks

for PR044xxHBBN	Page
SP044xxVBNN (ASP044)	50
SP064xxVGNN (ASP064)	50
RP034xxHBLN (Type 114)	106
RP034xxHBLO (Type 113)	106
RP034xxVBLN (Type 369)	107

Accessories

for PR044xxHBBN	Page
LED-light transmitter for headers, pluggable	295
720293	296

Terminal blocks

for PR044xxHBBF	Page
SP064xxVGNF (ASP084)	51
RP034xxVBLF (Type 379)	107

Accessories

for PR044xxHBBF	Page
LED-light transmitter for headers, pluggable	295
720293	296



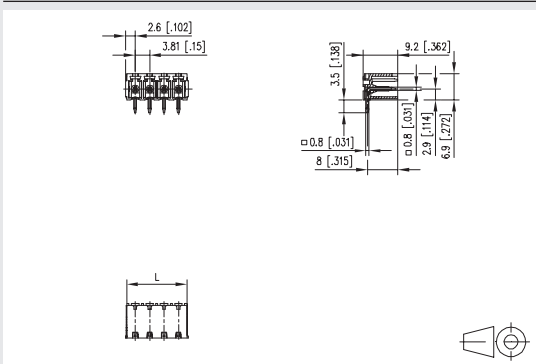
PR044xxHBBN *(Type 190)
 Product family Pole size Color Option
 Centerline Design Function *old product name

- pin header, THR solderable
- centerline 3.81 mm, direction of connection 90°
- closed ends
- color black
- Tape & Reel packaging
- codeable

Technical data

V / A	300 / 8		
10 A / 130 V / 2.5 kV / 3 IEC 61984			
Overvoltage category	III	III	II
Pollution degree	3	2	2
Rated voltage	200 V	500 V	500 V
Rated test voltage	4.0 kV	4 kV	4.0 kV
Insulating material class	CTI 600		
Clearance and creepage distances	3.01 mm		
Solder pin dimension	0.8 x 0.8 mm		
Recommended pc board hole dia.	ø 1.3 mm		
Solder pin length	3.5 mm		
Protection category according to IEC 60529	IP 00		
Color	black		

Dimensional drawing



$L = (\text{Pole size} - 1) \cdot \text{centerline} + 5.2 \text{ mm (0.205 in.)}$

P/N **311901**

Complete the part number by adding the pole size.

	02	03	04	05	06	07	08
09	10	11	12				

(Information: page 143)

Standard pole sizes



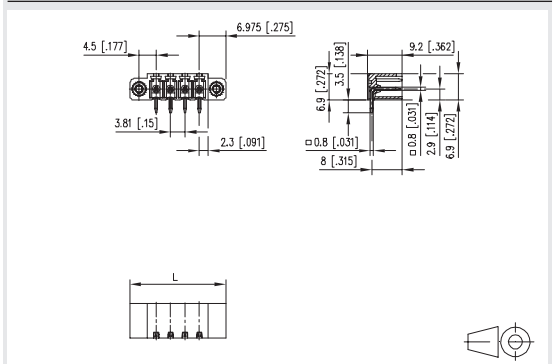
PR044xxHBBF *(Type 390)
 Product family Pole size Color Option
 Centerline Design Function *old product name

- pin header, THR solderable
- centerline 3.81 mm, direction of connection 90°
- closed ends
- color black, mounting flange
- Tape & Reel packaging
- codeable

Technical data

V / A	300 / 8		
10 A / 130 V / 2.5 kV / 3 IEC 61984			
Overvoltage category	III	III	II
Pollution degree	3	2	2
Rated voltage	200 V	500 V	500 V
Rated test voltage	4.0 kV	4 kV	4.0 kV
Insulating material class	CTI 600		
Clearance and creepage distances	3.01 mm		
Solder pin dimension	0.8 x 0.8 mm		
Recommended pc board hole dia.	ø 1.3 mm		
Solder pin length	3.5 mm		
Protection category according to IEC 60529	IP 00		
Color	black		

Dimensional drawing



$L = (\text{Pole size} - 1) \cdot \text{centerline} + 13.95 \text{ mm (0.549 in.)}$

P/N **313901**

Complete the part number by adding the pole size.

	02	03	04	05	06	07	08
09	10	11	12	13	14	15	16

(Information: page 143)

Standard pole sizes

Terminal blocks

for PT094xxHBBN	Page
SP064xxVGNN (ASP064)	50
RP034xxHBLN (Type 114)	106
RP034xxHBLO (Type 113)	106
RP034xxVBLN (Type 369)	107

Accessories

for PT094xxHBBN	Page
720293	296

Terminal blocks

for PT094xxHBBF	Page
SP064xxVGNF (ASP084)	51
RP034xxVBLF (Type 379)	107

Accessories

for PT094xxHBBF	Page
720293	296



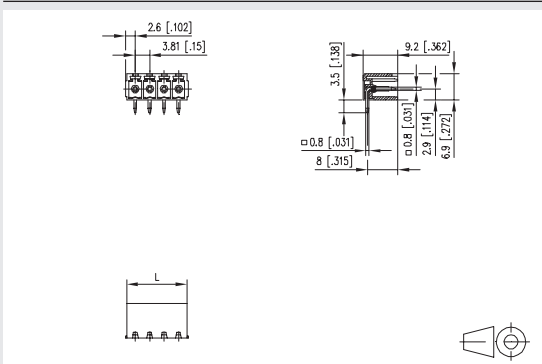
PT094xxHBBN *(Type 382)
 Centerline Design Function *old product name

- pin header, solderable
- centerline 3.81 mm, direction of connection 90°
- closed ends
- color black
- codeable

Technical data

300 / 8			
9 A / 160 V / 2.5 kV / 3 IEC 61984			
Overvoltage category	III	III	II
Pollution degree	3	2	2
Rated voltage	200 V	500 V	500 V
Rated test voltage	4.0 kV	4 kV	4.0 kV
Insulating material class	CTI 600		
Clearance and creepage distances	3.01 mm		
Solder pin dimension	0.8 x 0.8 mm		
Recommended pc board hole dia.	ø 1.3 mm		
Solder pin length	3.5 mm		
Protection category according to IEC 60529	IP 00		
Color	black		

Dimensional drawing



$L = (\text{Pole size} - 1) * \text{centerline} + 5.2 \text{ mm (0.205 in.)}$

P/N **313821**

Complete the part number by adding the pole size.

	02	03	04	05	06	07	08
09	10	11	12	13	14	15	16
17	18	19	20	21	22	23	24

(Information: page 143)

Standard pole sizes



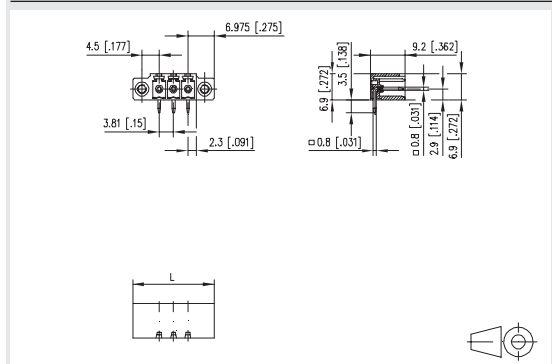
PT094xxHBBF *(Type 392)
 Centerline Design Function *old product name

- pin header, solderable
- centerline 3.81 mm, direction of connection 90°
- closed ends
- color black, mounting flange
- codeable

Technical data

300 / 8			
9 A / 160 V / 2.5 kV / 3 IEC 61984			
Overvoltage category	III	III	II
Pollution degree	3	2	2
Rated voltage	200 V	500 V	500 V
Rated test voltage	4.0 kV	4 kV	4.0 kV
Insulating material class	CTI 600		
Clearance and creepage distances	3.01 mm		
Solder pin dimension	0.8 x 0.8 mm		
Recommended pc board hole dia.	ø 1.3 mm		
Solder pin length	3.5 mm		
Protection category according to IEC 60529	IP 00		
Color	black		

Dimensional drawing



$L = (\text{Pole size} - 1) * \text{centerline} + 13.95 \text{ mm (0.549 in.)}$

P/N **313921**

Complete the part number by adding the pole size.

	02	03	04	05	06	07	08
09	10	11	12	13	14	15	16
17	18	19	20	21	22	23	24

(Information: page 143)

Standard pole sizes

Terminal blocks

for PR044xxVBBN	Page
SP044xxVBNN (ASP044)	50
SP064xxVGNN (ASP064)	50
RP034xxHBLN (Type 114)	106
RP034xxHBLO (Type 113)	106
RP034xxVBLN (Type 369)	107

Accessories

for PR044xxVBBN 720293	Page
	296

Terminal blocks

for PR044xxVBBF	Page
SP064xxVGNF (ASP084)	51
RP034xxVBLF (Type 379)	107

Accessories

for PR044xxVBBF 720293	Page
	296



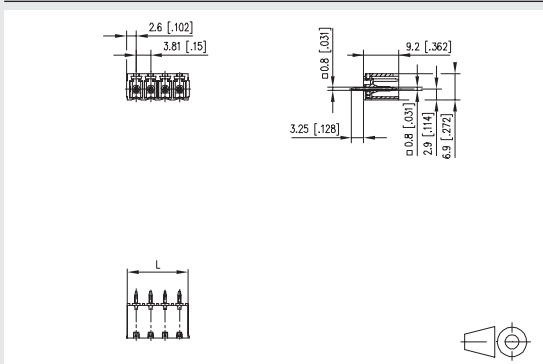
PR044xxVBBN *(Type 191)
 Product family Pole size Color Option
 Centerline Design Function *old product name

- pin header, THR solderable
- centerline 3.81 mm, direction of connection vertical 0°
- closed ends
- color black
- Tape & Reel packaging
- codeable

Technical data

10 A / 130 V / 2.5 kV / 3 IEC 61984	300 / 8
Overvoltage category	III III II
Pollution degree	3 2 2
Rated voltage	200 V 500 V 500 V
Rated test voltage	4.0 kV 4 kV 4.0 kV
Insulating material class	CTI 600
Clearance and creepage distances	3.01 mm
Solder pin dimension	0.8 x 0.8 mm
Recommended pc board hole dia.	ø 1.3 mm
Solder pin length	3.25 mm
Protection category according to IEC 60529	IP 00
Color	black

Dimensional drawing



L = (Pole size - 1) * centerline + 5.2 mm (0.205 in.)

Complete the part number by adding the pole size.

P/N **311911**

	02	03	04	05	06	07	08
09	10	11	12				

(Information: page 143)

Standard pole sizes



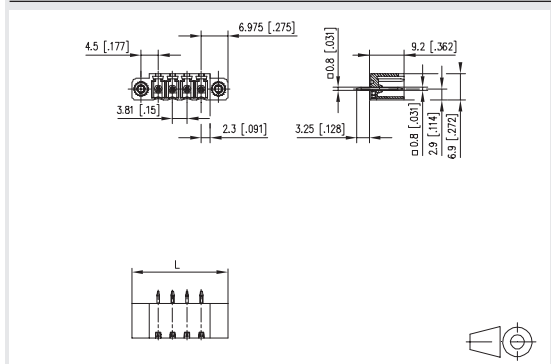
PR044xxVBBF *(Type 391)
 Product family Pole size Color Option
 Centerline Design Function *old product name

- pin header, THR solderable
- centerline 3.81 mm, direction of connection vertical 0°
- closed ends
- color black, mounting flange
- Tape & Reel packaging
- codeable

Technical data

10 A / 130 V / 250 kV / 3 IEC 61984	300 / 8
Overvoltage category	III III II
Pollution degree	3 2 2
Rated voltage	200 V 500 V 500 V
Rated test voltage	4.0 kV 4 kV 4.0 kV
Insulating material class	CTI 600
Clearance and creepage distances	3.01 mm
Solder pin dimension	0.8 x 0.8 mm
Recommended pc board hole dia.	ø 1.3 mm
Solder pin length	3.25 mm
Protection category according to IEC 60529	IP 00
Color	black

Dimensional drawing



L = (Pole size - 1) * centerline + 13.95 mm (0.549 in.)

Complete the part number by adding the pole size.

P/N **313911**

	02	03	04	05	06	07	08
09	10	11	12	13	14	15	16

(Information: page 143)

Standard pole sizes

Terminal blocks

for PT094xxVBBN	Page
SP064xxVGNN (ASP064)	50
RP034xxHBLN (Type 114)	106
RP034xxHBLO (Type 113)	106
RP034xxVBLN (Type 369)	107

Accessories

for PT094xxVBBN	Page
720293	296

Terminal blocks

for PT094xxVBBF	Page
SP064xxVGNF (ASP084)	51
RP034xxVBLF (Type 379)	107

Accessories

for PT094xxVBBF	Page
720293	296



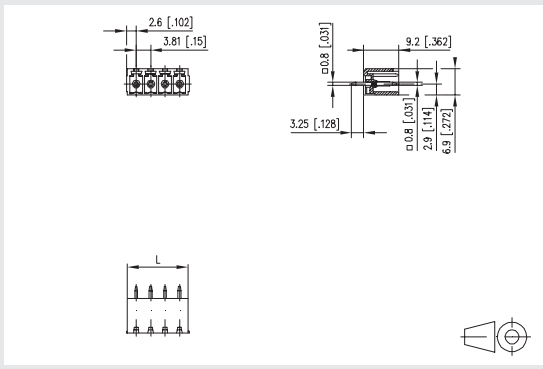
PT094xxVBBN * (Type 383)
 Centerline Design Function *old product name

- pin header, solderable
- centerline 3.81 mm, direction of connection vertical 0°
- closed ends
- color black
- codeable

Technical data

V / A	300 / 8		
9 A / 160 V / 2.5 kV / 3 IEC 61984			
Overvoltage category	III	III	II
Pollution degree	3	2	2
Rated voltage	200 V	500 V	500 V
Rated test voltage	4.0 kV	4 kV	4.0 kV
Insulating material class	CTI 600		
Clearance and creepage distances	3.01 mm		
Solder pin dimension	0.8 x 0.8 mm		
Recommended pc board hole dia.	ø 1.3 mm		
Solder pin length	3.25 mm		
Protection category according to IEC 60529	IP 00		
Color	black		

Dimensional drawing



$L = (\text{Pole size} - 1) \cdot \text{centerline} + 5.2 \text{ mm (0.205 in.)}$

P/N **313831**

Complete the part number by adding the pole size.

	02	03	04	05	06	07	08
09	10	11	12	13	14	15	16
17	18	19	20	21	22	23	24

(Information: page 143)

Standard pole sizes



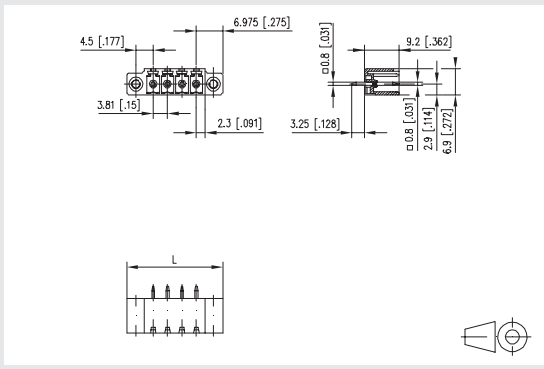
PT094xxVBBF * (Type 393)
 Centerline Design Function *old product name

- pin header, solderable
- centerline 3.81 mm, direction of connection vertical 0°
- closed ends
- color black, mounting flange
- codeable

Technical data

V / A	300 / 8		
9 A / 160 V / 2.5 kV / 3 IEC 61984			
Overvoltage category	III	III	II
Pollution degree	3	2	2
Rated voltage	200 V	500 V	500 V
Rated test voltage	4.0 kV	4 kV	4.0 kV
Insulating material class	CTI 600		
Clearance and creepage distances	3.01 mm		
Solder pin dimension	0.8 x 0.8 mm		
Recommended pc board hole dia.	ø 1.3 mm		
Solder pin length	3.25 mm		
Protection category according to IEC 60529	IP 00		
Color	black		

Dimensional drawing



$L = (\text{Pole size} - 1) \cdot \text{centerline} + 13.95 \text{ mm (0.549 in.)}$

P/N **313931**

Complete the part number by adding the pole size.

	02	03	04	05	06	07	08
09	10	11	12	13	14	15	16
17	18	19	20	21	22	23	24

(Information: page 143)

Standard pole sizes

Terminal blocks

for PR065xxHBEC	Page
SP045xxVBNC (ASP045)	53
SP065xxVBNC	54
SP065xxVBPC	54
SP995xxVBNC	56
RP015xxVBLC (Type 349)	113
RP015xxSBLC (Type 350)	114
RP035xxHBLC (Type 313)	116
RP035xxHBLD (Type 314)	116

Accessories

for PR065xxHBEC	Page
700024	297

Terminal blocks

for PR065xxHBEN	Page
SP045xxVBNC (ASP045)	53
SP065xxVBNC	54
SP065xxVBPC	54
SP995xxVBNC	56
RP015xxVBLC (Type 349)	113
RP015xxSBLC (Type 350)	114
RP035xxHBLC (Type 313)	116
RP035xxHBLD (Type 314)	116

Accessories

for PR065xxHBEN	Page
700024	297



Product family
 Pole size
 Color
 Option

PR065xxHBEC *(Type 476)

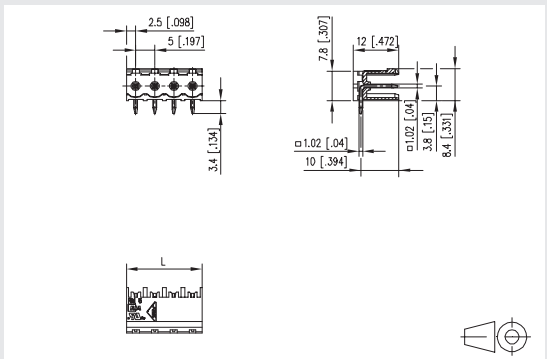
Centerline Design Function *old product name

- pin header, CENTER solderable
- centerline 5.00 mm, direction of connection 90°
- open ends
- color black
- Tape & Reel packaging
- codeable

Technical data

UL V / A	300 / 15
13.5 A / 320 V / 4 kV / 3 IEC 61984	
Overvoltage category	III III II
Pollution degree	3 2 2
Rated voltage	320 V 800 V 800 V
Rated test voltage	4 kV 4.0 kV 4 kV
Insulating material class	CTI 600
Clearance and creepage distances	4 mm
Solder pin dimension	1.0 x 1.0 mm
Recommended pc board hole dia.	ø 1.5 mm
Solder pin length	3.4 mm
Protection category according to IEC 60529	IP 00
Color	black

Dimensional drawing



L = (Pole size - 1) * centerline + 5 mm (0.197 in.)

P/N **314761**

Complete the part number by adding the pole size.

	02	03	04	05	06	07	08
09	10	11	12				

(Information: page 143)

Standard pole sizes



Product family
 Pole size
 Color
 Option

PR065xxHBEN *(Type 176)

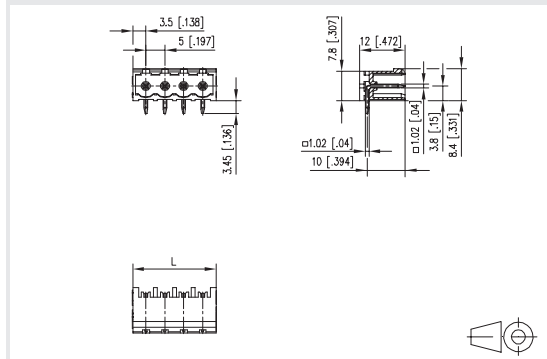
Centerline Design Function *old product name

- pin header, THR solderable
- centerline 5.00 mm, direction of connection 90°
- closed ends
- color black
- Tape & Reel packaging
- codeable

Technical data

UL V / A	300 / 15
13.5 A / 320 V / 4 kV / 3 IEC 61984	
Overvoltage category	III III II
Pollution degree	3 2 2
Rated voltage	320 V 800 V 800 V
Rated test voltage	4 kV 4.0 kV 4 kV
Insulating material class	CTI 600
Clearance and creepage distances	4 mm
Solder pin dimension	1.0 x 1.0 mm
Recommended pc board hole dia.	ø 1.5 mm
Solder pin length	3.45 mm
Protection category according to IEC 60529	IP 00
Color	black

Dimensional drawing



L = (Pole size - 1) * centerline + 7.0 mm (0.276 in.)

P/N **311761**

Complete the part number by adding the pole size.

	02	03	04	05	06	07	08
09	10	11	12				

(Information: page 143)

Standard pole sizes

Terminal blocks

for PR065xxHBBF	Page
SP065xxVBNF	55
SP065xxVBPF	55
RP015xxVBLF (Type 351)	114

Accessories

for PR065xxHBBF 700024	Page
	297

Terminal blocks

for PR075xxHBEL	Page
SP045xxVBNC (ASP045)	53
SP065xxVBNC	54
SP065xxVBPC	54
SP995xxVBNC	56

RP015xxVBLC (Type 349)	113
RP015xxSBLC (Type 350)	114
RP085xxVBLC (Type 348)	115
RP035xxHBLC (Type 313)	116
RP035xxHBLD (Type 314)	116

Accessories

for PR075xxHBEL 700024	Page
	297



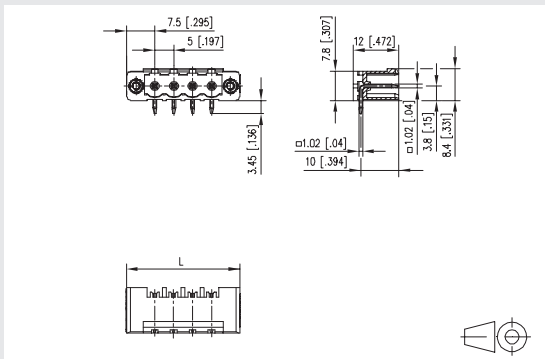
PR065xxHBBF *(Type 396)
 Product family Pole size Color Option
 Centerline Design Function *old product name

- pin header, THR solderable
- centerline 5.00 mm, direction of connection 90°
- closed ends
- color black, mounting flange
- Tape & Reel packaging
- codeable

Technical data

V / A	300 / 15		
13.5 A / 320 V / 4 kV / 3 IEC 61984			
Overvoltage category	III	III	II
Pollution degree	3	2	2
Rated voltage	320 V	800 V	800 V
Rated test voltage	4 kV	4.0 kV	4 kV
Insulating material class	CTI 600		
Clearance and creepage distances	4 mm		
Solder pin dimension	1.0 x 1.0 mm		
Recommended pc board hole dia.	ø 1.5 mm		
Solder pin length	3.45 mm		
Protection category according to IEC 60529	IP 00		
Color	black		

Dimensional drawing



$L = (\text{Pole size} - 1) * \text{centerline} + 7.0 \text{ mm (0.276 in.)}$

P/N **313961**

Complete the part number by adding the pole size.

	02	03	04	05	06	07	08
09	10	11	12				

(Information: page 143)

Standard pole sizes



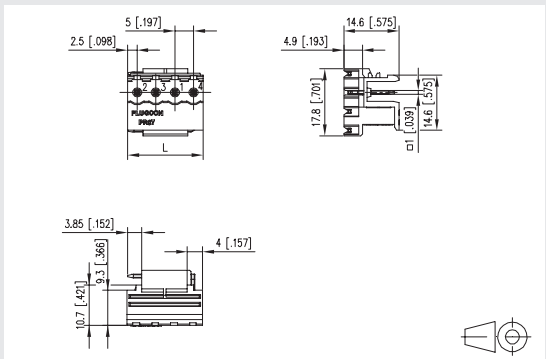
PR075xxHBEL *(Type 337)
 Product family Pole size Color Option
 Centerline Design Function *old product name

- pin header, THR solderable
- centerline 5.00 mm, direction of connection 90°
- open ends, fittable without loss of poles
- color black
- Tape & Reel packaging
- codeable, connection left side, pluggable for module housing

Technical data

V / A	300 / 17		
12 A / 250 V / 4 kV / 3 IEC 61984			
Overvoltage category	III	III	II
Pollution degree	3	2	2
Rated voltage	250 V	630 V	630 V
Rated test voltage	4.0 kV	4.0 kV	4 kV
Insulating material class	CTI 600		
Clearance and creepage distances	3.2 mm		
Solder pin dimension	1.0 x 1.0 mm		
Recommended pc board hole dia.	ø 1.4 mm		
Solder pin length	3.85 mm		
Protection category according to IEC 60529	IP 00		
Color	black		

Dimensional drawing



$L = (\text{Pole size} - 1) * \text{centerline} + 5 \text{ mm (0.197 in.)}$

P/N **313371**










Complete the part number by adding the pole size.

	02	03	04				

(Information: page 143)

Standard pole sizes

Terminal blocks

for PR075xxHBER	Page
 SP045xxVBNC (ASP045)	53
 SP065xxVBNC	54
 SP065xxVBPC	54
 SP995xxVBNC	56
 RP015xxVBLC (Type 349)	113
 RP015xxSBLC (Type 350)	114
 RP085xxVBLC (Type 348)	115
 RP035xxHBLC (Type 313)	116
 RP035xxHBLD (Type 314)	116


Accessories

for PR075xxHBER	Page
700024	297

Terminal blocks

for PT045xxHBE C	Page
 RP015xxWBWC (Type 009)	112
 RP015xxWBLC (Type 049)	113
 RP035xxIBLN (Type 013)	115
 FT085xxVBFC (Type 026)	198







PR075xxHBER *(Type 338)

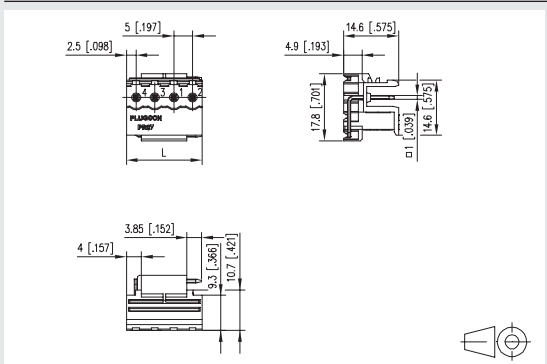
Centerline Design Function *old product name

- pin header, THR solderable
- centerline 5.00 mm, direction of connection 90°
- open ends, fittable without loss of poles
- color black
- Tape & Reel packaging
- codeable, connection right side, pluggable for module housing

Technical data

 300 / 17	
 12 A / 250 V / 4 kV / 3 IEC 61984	
Overvoltage category	III III II
Pollution degree	3 2 2
Rated voltage	250 V 630 V 630 V
Rated test voltage	4.0 kV 4.0 kV 4 kV
Insulating material class	CTI 600
Clearance and creepage distances	3.2 mm
Solder pin dimension	1.0 x 1.0 mm
Recommended pc board hole dia.	ø 1.4 mm
Solder pin length	3.85 mm
Protection category according to IEC 60529	IP 00
Color	black

Dimensional drawing



L = (Pole size - 1) * centerline + 5 mm (0.197 in.)

P/N **313381** Complete the part number by adding the pole size.

	02	03	04				

(Information: page 143)







PT045xxHBE C *(Type 029)

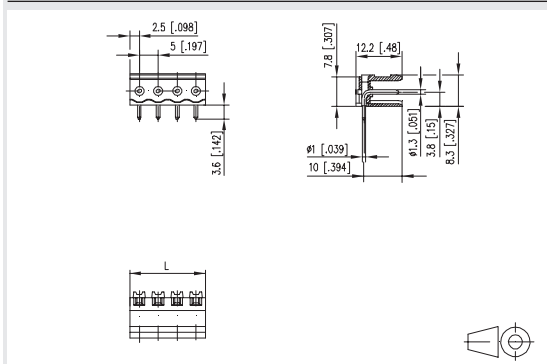
Centerline Design Function *old product name

- pin header, solderable
- centerline 5.00 mm, direction of connection 90°
- open ends, fittable without loss of poles
- color black

Technical data

 300 / 10	
 10 A / 250 V / 4 kV / 3 IEC 61984	
Overvoltage category	III III II
Pollution degree	3 2 2
Rated voltage	250 V 630 V 630 V
Rated test voltage	4.0 kV 4.0 kV 4 kV
Insulating material class	CTI 600
Clearance and creepage distances	3.7 mm
Solder pin dimension	1.0 mm
Recommended pc board hole dia.	ø 1.3 mm
Solder pin length	3.6 mm
Protection category according to IEC 60529	IP 00
Color	black

Dimensional drawing



L = (Pole size - 1) * centerline + 5 mm (0.197 in.)

P/N **310291** Complete the part number by adding the pole size.

	02	03	04	05	06	07	08
09	10	11	12	13	14	15	16
17	18	19	20	21	22		

(Information: page 143)

Terminal blocks

for PT045xxHBBN	Page
SP995xxVBNC	56
RP015xxWBWC (Type 009)	112
RP015xxWBLC (Type 049)	113
RP085xxVBLC (Type 348)	115
RP035xxIBLN (Type 013)	115
FT085xxVBFC (Type 026)	198

Terminal blocks

for PT045xxHBVC	Page
SP995xxVBNC	56
RP015xxWBWC (Type 009)	112
RP015xxWBLC (Type 049)	113
RP085xxVBLC (Type 348)	115
RP035xxIBLN (Type 013)	115
FT085xxVBFC (Type 026)	198



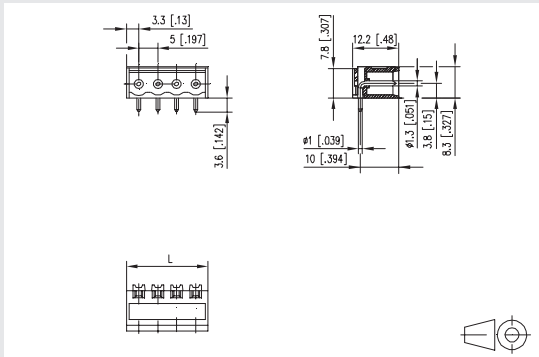
Product family	Pole size	Color	Option
PT045xxHBBN	5	xx	HBBN
Centerline	Design	Function	*old product name

- pin header, solderable
- centerline 5.00 mm, direction of connection 90°
- closed ends
- color black

Technical data

V / A	300 / 15		
10 A / 250 V / 4 kV / 3 IEC 61984			
Overvoltage category	III	III	II
Pollution degree	3	2	2
Rated voltage	250 V	630 V	630 V
Rated test voltage	4.0 kV	4.0 kV	4 kV
Insulating material class	CTI 600		
Clearance and creepage distances	3.7 mm		
Solder pin dimension	1.0 mm		
Recommended pc board hole dia.	ø 1.3 mm		
Solder pin length	3.6 mm		
Protection category according to IEC 60529	IP 00		
Color	black		

Dimensional drawing



L = (Pole size - 1) * centerline + 6.6 mm (0.260 in.)

P/N **310301**

Complete the part number by adding the pole size.

	02	03	04	05	06	07	08
09	10	11	12	13	14	15	16
17	18	19	20	21	22		

(Information: page 143)

Standard pole sizes



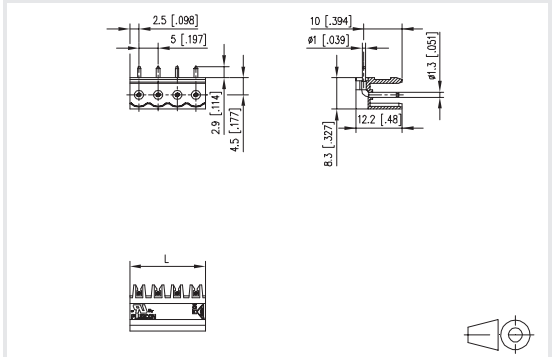
Product family	Pole size	Color	Option
PT045xxHBVC	5	xx	HBVC
Centerline	Design	Function	*old product name

- pin header, solderable
- centerline 5.00 mm, direction of connection 90°
- open ends, fittable without loss of poles
- color black

Technical data

V / A	300 / 10		
10 A / 250 V / 4 kV / 3 IEC 61984			
Overvoltage category	III	III	II
Pollution degree	3	2	2
Rated voltage	250 V	630 V	630 V
Rated test voltage	4.0 kV	4.0 kV	4 kV
Insulating material class	CTI 600		
Clearance and creepage distances	3.7 mm		
Solder pin dimension	1.0 mm		
Recommended pc board hole dia.	ø 1.3 mm		
Solder pin length	2.9 mm		
Protection category according to IEC 60529	IP 00		
Color	black		

Dimensional drawing



L = (Pole size - 1) * centerline + 5 mm (0.197 in.)

P/N **310311**

Complete the part number by adding the pole size.

	02	03	04	05	06	07	08
09	10	11	12	13	14	15	16
17	18	19	20	21	22		

(Information: page 143)

Standard pole sizes

Terminal blocks

for PT05xxHBHC		Page
	SP025xxHDNC (ASP025)	52
	RP025xxIBWC (Type 007)	108
	RP025xxIBWU (Type 077)	108
	RP025xxHBWC (Type 107)	109
	FT085xxVBFC (Type 026)	198

Terminal blocks

for PT105xxHGDN		Page
	SP065xxVBNC	54
	SP065xxVBPC	54
	SP995xxVBNC	56
	RP015xxVBLC (Type 349)	113
	RP015xxSBLC (Type 350)	114
	RP035xxHBLD (Type 314)	116



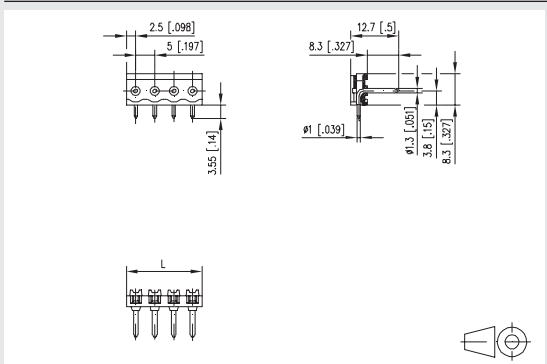
PT05xxHBHC * (Type 039)
 Product family Pole size Color Option
 Centerline Design Function *old product name

- pin header, solderable
- centerline 5.00 mm, direction of connection 90°
- fittable without loss of poles
- color black
- Tape & Reel packaging

Technical data

	c UL US V / A	300 / 15		
	SEV Reg 130002	6 A / 250 V / 4 kV / 3 IEC 61984		
Overvoltage category		III	III	II
Pollution degree		3	2	2
Rated voltage		250 V	630 V	630 V
Rated test voltage		4.0 kV	4.0 kV	4 kV
Insulating material class		CTI 600		
Clearance and creepage distances		3.7 mm		
Solder pin dimension		1.0 mm		
Recommended pc board hole dia.		ø 1.3 mm		
Solder pin length		3.55 mm		
Protection category according to IEC 60529		IP 00		
Color		black		

Dimensional drawing



L = (Pole size - 1) * centerline + 5 mm (0.197 in.)

P/N **310391**

Complete the part number by adding the pole size.

	02	03	04	05	06	07	08
09	10	11	12				

(Information: page 143)

Standard pole sizes



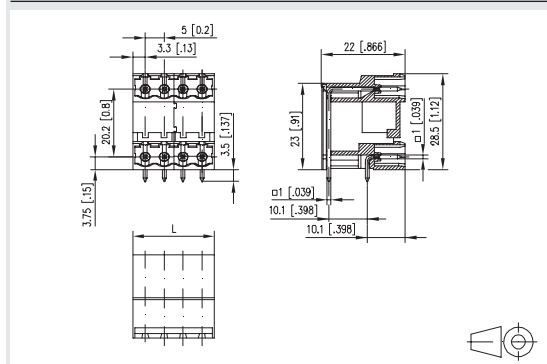
PT105xxHGDN * (Type 280)
 Product family Pole size Color Option
 Centerline Design Function *old product name

- pin header, solderable
- centerline 5.00 mm, direction of connection 90°
- closed ends
- color green
- two rows, equal poles

Technical data

	c UL US V / A	300 / 15		
		13.5 A / 320 V / 4 kV / 3 IEC 61984		
Overvoltage category		III	III	II
Pollution degree		3	2	2
Rated voltage		320 V	800 V	800 V
Rated test voltage		4 kV	4.0 kV	4 kV
Insulating material class		CTI 600		
Clearance and creepage distances		4 mm		
Solder pin dimension		1.0 x 1.0 mm		
Recommended pc board hole dia.		ø 1.5 mm		
Solder pin length		3.5 mm		
Protection category according to IEC 60529		IP 00		
Color		green		

Dimensional drawing



L = (Pole size - 1) * centerline + 6.6 mm (0.260 in.)

P/N **312801**

Complete the part number by adding the pole size.

	04	06	08	10	12	14	16
18	20	22	24	26	28	30	32
34	36	38	40	42	44	46	48

(Information: page 143)

Standard pole sizes

Terminal blocks

for PT115xxHBEC	Page
SP045xxVBNC (ASP045)	53
SP065xxVBNC	54
SP065xxVBPC	54
SP995xxVBNC	56
RP015xxVBLC (Type 349)	113
RP015xxSBLC (Type 350)	114
RP035xxHBLC (Type 313)	116
RP035xxHBLD (Type 314)	116

Accessories

for PT115xxHBEC	Page
700024	297

Terminal blocks

for PT115xxHBBN	Page
SP045xxVBNC (ASP045)	53
SP065xxVBNC	54
SP065xxVBPC	54
SP995xxVBNC	56
RP015xxVBLC (Type 349)	113
RP015xxSBLC (Type 350)	114
RP035xxHBLC (Type 313)	116
RP035xxHBLD (Type 314)	116

Accessories

for PT115xxHBBN	Page
700024	297



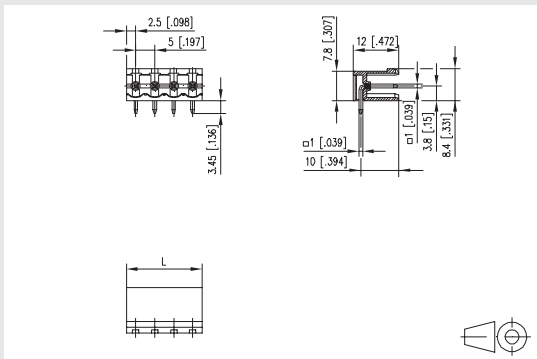
Product family	Pole size	Color	Option
PT115xxHBEC	5	C	* (Type 329)
Centerline	Design	Function	*old product name

- pin header, solderable
- centerline 5.00 mm, direction of connection 90°
- open ends, fittable without loss of poles
- color black
- codeable

Technical data

300 / 15	
13.5 A / 320 V / 4 kV / 3 IEC 61984	
Overvoltage category	III III II
Pollution degree	3 2 2
Rated voltage	320 V 800 V 800 V
Rated test voltage	4 kV 4.0 kV 4 kV
Insulating material class	CTI 600
Clearance and creepage distances	4 mm
Solder pin dimension	1.0 x 1.0 mm
Recommended pc board hole dia.	ø 1.5 mm
Solder pin length	3.45 mm
Protection category according to IEC 60529	IP 00
Color	black

Dimensional drawing



L = (Pole size - 1) * centerline + 5 mm (0.197 in.)

P/N **313291**

Complete the part number by adding the pole size.

	02	03	04	05	06	07	08
09	10	11	12	13	14	15	16
17	18	19	20	21	22	23	24

(Information: page 143)

Standard pole sizes



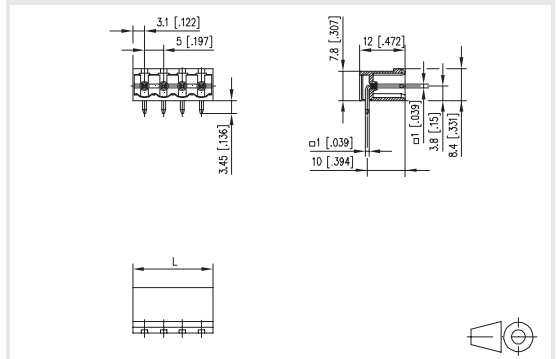
Product family	Pole size	Color	Option
PT115xxHBBN	5	C	* (Type 330)
Centerline	Design	Function	*old product name

- pin header, solderable
- centerline 5.00 mm, direction of connection 90°
- closed ends
- color black
- codeable

Technical data

300 / 15	
13.5 A / 320 V / 4 kV / 3 IEC 61984	
Overvoltage category	III III II
Pollution degree	3 2 2
Rated voltage	320 V 800 V 800 V
Rated test voltage	4 kV 4.0 kV 4 kV
Insulating material class	CTI 600
Clearance and creepage distances	4 mm
Solder pin dimension	1.0 x 1.0 mm
Recommended pc board hole dia.	ø 1.5 mm
Solder pin length	3.45 mm
Protection category according to IEC 60529	IP 00
Color	black

Dimensional drawing



L = (Pole size - 1) * centerline + 6.2 mm (0.244 in.)

P/N **313301**

Complete the part number by adding the pole size.

	02	03	04	05	06	07	08
09	10	11	12	13	14	15	16
17	18	19	20	21	22	23	24

(Information: page 143)

Standard pole sizes

Terminal blocks

for PT115xxHBBF	Page
SP065xxVBNF	55
SP065xxVBPF	55
RP015xxVBLF (Type 351)	114

Accessories

for PT115xxHBBF 700024	Page
	297

Terminal blocks

for PT165xxHGDN	Page
SP045xxVBNC (ASP045)	53
SP065xxVBNC	54
SP065xxVBPC	54
SP995xxVBNC	56
RP015xxVBLC (Type 349)	113
RP015xxSBLC (Type 350)	114
RP035xxHBLD (Type 314)	116



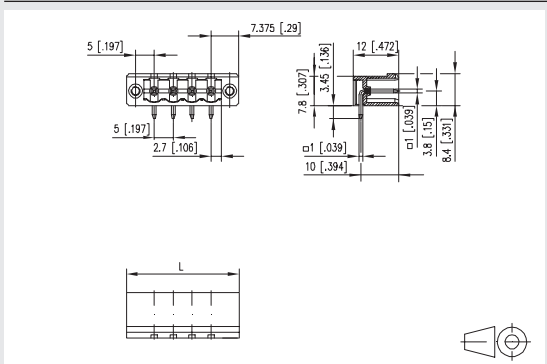
PT115xxHBBF *(Type 336)
 Centerline Design Function *old product name

- pin header, solderable
- centerline 5.00 mm, direction of connection 90°
- closed ends
- color black, mounting flange
- codeable

Technical data

300 V / A	300 / 15		
13.5 A / 320 V / 4 kV / 3 IEC 61984			
Overvoltage category	III	III	II
Pollution degree	3	2	2
Rated voltage	320 V	800 V	800 V
Rated test voltage	4 kV	4.0 kV	4 kV
Insulating material class	CTI 600		
Clearance and creepage distances	4 mm		
Solder pin dimension	1.0 x 1.0 mm		
Recommended pc board hole dia.	ø 1.5 mm		
Solder pin length	3.45 mm		
Protection category according to IEC 60529	IP 00		
Color	black		

Dimensional drawing



L = (Pole size - 1) * centerline + 14.75 mm (0.581 in.)

P/N **313361**

Complete the part number by adding the pole size.

	02	03	04	05	06	07	08
	09	10	11	12	13	14	15
	16	17	18	19	20	21	22
	23	24					

(Information: page 143)

Standard pole sizes



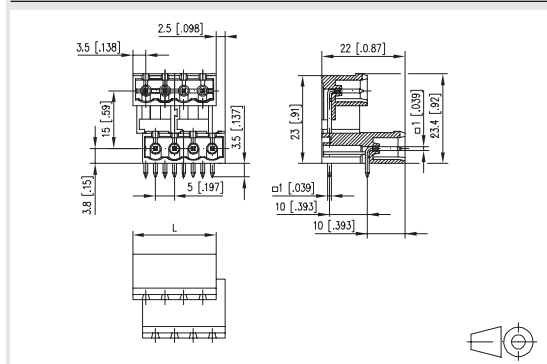
PT165xxHGDN *(Type 276)
 Centerline Design Function *old product name

- pin header, solderable
- centerline 5.00 mm, direction of connection 90°
- closed ends
- color green
- staggered pins, double stacked

Technical data

300 V / A	300 / 15		
13.5 A / 320 V / 4 kV / 3 IEC 61984			
Overvoltage category	III	III	II
Pollution degree	3	2	2
Rated voltage	320 V	800 V	800 V
Rated test voltage	4 kV	4.0 kV	4 kV
Insulating material class	CTI 600		
Clearance and creepage distances	4 mm		
Solder pin dimension	1.0 x 1.0 mm		
Recommended pc board hole dia.	ø 1.5 mm		
Solder pin length	3.5 mm		
Protection category according to IEC 60529	IP 00		
Color	green		

Dimensional drawing



L = (Pole size - 1) * centerline + 7 mm (0.276 in.)

P/N **312761**

Complete the part number by adding the pole size.

	04	06	08	10	12	14	16
	18	20	22	24	26	28	30
	32	34	36	38	40	42	44
	46	48					

(Information: page 143)

Standard pole sizes

Terminal blocks

for PR015xxVBHC	Page
SP025xxHDNC (ASP025)	52
RP025xxIBWC (Type 007)	108
RP025xxIBWU (Type 077)	108
RP025xxHBWC (Type 107)	109
FT085xxVBFC (Type 026)	198

Terminal blocks

for PR015xxVBVC	Page
RP025xxIBWC (Type 007)	108
RP025xxIBWU (Type 077)	108
RP025xxHBWC (Type 107)	109
RP025xxIBLC (Type 137)	110
FT085xxVBFC (Type 026)	198



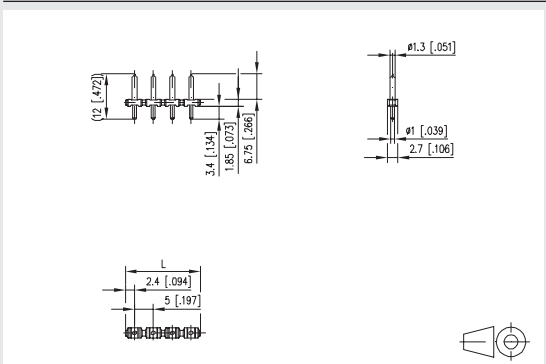
SEV Reg 130002
 Product family Pole size Color Option
PR015xxVBHC *(Type 017)
 Centerline Design Function *old product name

- pin header, THR solderable
- centerline 5.00 mm, direction of connection vertical 0°
- fittable without loss of poles
- color black
- Tape & Reel packaging

Technical data

V / A	300 / 15		
SEV Reg 130002	10 A / 250 V / 4 kV / 3 IEC 61984		
Overvoltage category	III	III	II
Pollution degree	3	2	2
Rated voltage	250 V	500 V	500 V
Rated test voltage	4.0 kV	4 kV	4.0 kV
Insulating material class	CTI 400		
Clearance and creepage distances	3.7 mm		
Solder pin dimension	1.0 mm		
Recommended pc board hole dia.	ø 1.3 mm		
Solder pin length	3.4 mm		
Protection category according to IEC 60529	IP 00		
Color	black		

Dimensional drawing



L = (Pole size - 1) * centerline + 4.8 mm (0.189 in.)

P/N **310171**

Complete the part number by adding the pole size.

	02	03	04	05	06	07	08
09	10	11	12	13	14	15	16
17	18	19	20	21	22	23	24

(Information: page 143)

Standard pole sizes



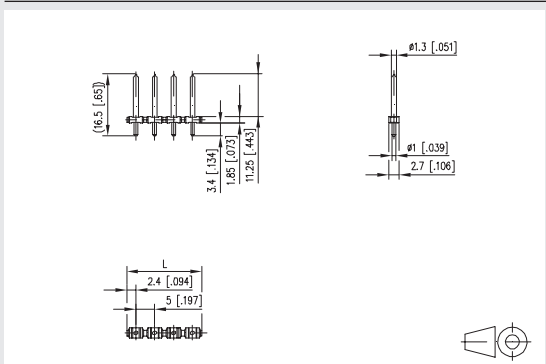
SEV Reg 130002
 Product family Pole size Color Option
PR015xxVBVC *(Type 027)
 Centerline Design Function *old product name

- pin header, THR solderable
- centerline 5.00 mm, direction of connection vertical 0°
- fittable without loss of poles
- color black
- Tape & Reel packaging

Technical data

V / A	300 / 15		
SEV Reg 130002	10 A / 250 V / 4 kV / 3 IEC 61984		
Overvoltage category	III	III	II
Pollution degree	3	2	2
Rated voltage	250 V	500 V	500 V
Rated test voltage	4.0 kV	4 kV	4.0 kV
Insulating material class	CTI 400		
Clearance and creepage distances	3.7 mm		
Solder pin dimension	1.0 mm		
Recommended pc board hole dia.	ø 1.3 mm		
Solder pin length	3.4 mm		
Protection category according to IEC 60529	IP 00		
Color	black		

Dimensional drawing



L = (Pole size - 1) * centerline + 4.8 mm (0.189 in.)

P/N **310271**

Complete the part number by adding the pole size.

	02	03	04	05	06	07	08
09	10	11	12	13	14	15	16
17	18	19	20	21	22	23	24

(Information: page 143)

Standard pole sizes

Terminal blocks

for PM025xxVBHC		Page
	RP095xxRBWC (Type 157 with snap-in technique)	111
	RP095xxBBWC (Type 157 without ridge)	111
	RP095xxHBWC (Type 157 with ridge)	112



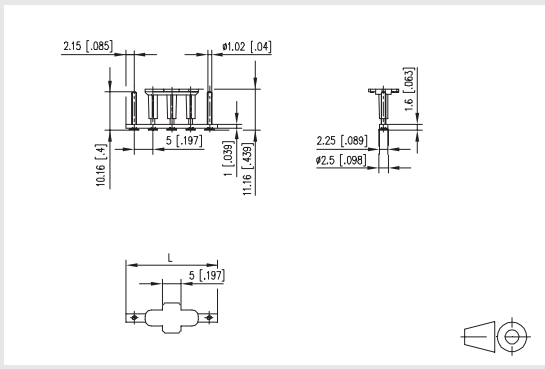
Product family Pole size Color Option
PM015xxVBHC *(Type 317)
Centerline Design Function *old product name

- spring clamp terminal block, SMT solderable
- centerline 5.00 mm, direction of connection vertical 0°
- fittable without loss of poles
- color black
- Tape & Reel packaging

Technical data

	V / A	300 / 10		
Overvoltage category		III	III	II
Pollution degree		3	2	2
Rated voltage		160.0 V	320.0 V	320.0 V
Rated test voltage		2.5 kV	2.5 kV	2.5 kV
Insulating material class		CTI 400		
Clearance and creepage distances		2.5 mm		
Solder pin dimension		2.5 mm		
Protection category according to IEC 60529		IP 00		
Color		black		

Dimensional drawing



L = (Pole size - 1) * centerline + 4.3 mm (0.169 in.)

P/N **313171** Complete the part number by adding the pole size.

	02	03	06				

(Information: page 143)

Standard pole sizes



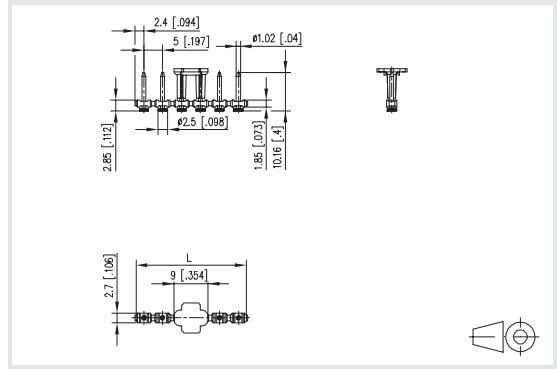
Product family Pole size Color Option
PM025xxVBHC *(Type 318)
Centerline Design Function *old product name

- pin header, SMT solderable
- centerline 5.00 mm, direction of connection vertical 0°
- fittable without loss of poles
- color black
- Tape & Reel packaging

Technical data

	V / A	300 / 10		
Overvoltage category		III	III	II
Pollution degree		3	2	2
Rated voltage		160 V	320 V	320 V
Rated test voltage		2.5 kV	2.5 kV	2.5 kV
Insulating material class		CTI 400		
Clearance and creepage distances		2.5 mm		
Solder pin dimension		2.5 mm		
Protection category according to IEC 60529		IP 00		
Color		black		

Dimensional drawing



L = (Pole size - 1) * centerline + 4.8 mm (0.189 in.)






P/N **313181** Complete the part number by adding the pole size.

	02	03	04	05	06	07	08
	09	10	11	12			


(Information: page 143)

Standard pole sizes


Terminal blocks

for PR035xxVBHC	Page
 SP145xxHBNC (ASP145)	52
 SP155xxHBNC (ASP155)	53
 RP095xxRBWC (Type 157 with snap-in technique)	111
 RP095xxBBWC (Type 157 without ridge)	111
 RP095xxHBWC (Type 157 with ridge)	112

Terminal blocks

for PR055xxVBHC	Page
 RP025xxHBLC (Type 207)	110




 SEV Reg 130002

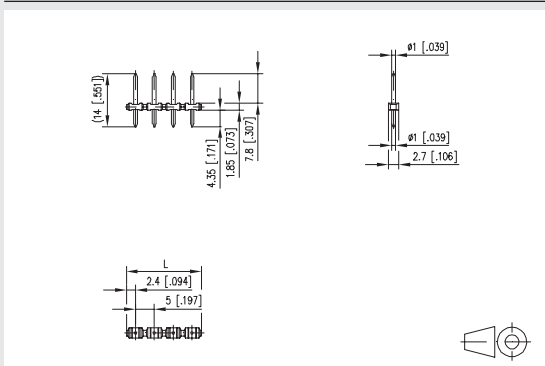
Product family	Pole size	Color	Option
PR035xxVBHC	5	046	*
Centerline	Design	Function	*old product name

- pin header, THR solderable
- centerline 5.00 mm, direction of connection vertical 0°
- fittable without loss of poles
- color black
- Tape & Reel packaging

Technical data

 V / A	300 / 10
SEV Reg 130002	13.5 A / 250 V / 4 kV / 3 IEC 61984
Overvoltage category	III III II
Pollution degree	3 2 2
Rated voltage	250 V 500 V 500 V
Rated test voltage	4.0 kV 4 kV 4.0 kV
Insulating material class	CTI 400
Clearance and creepage distances	4 mm
Solder pin dimension	1.0 mm
Recommended pc board hole dia.	ø 1.3 mm
Solder pin length	4.35 mm
Protection category according to IEC 60529	IP 00
Color	black

Dimensional drawing



L = (Pole size - 1) * centerline + 4.8 mm (0.189 in.)

P/N **310461**


Complete the part number by adding the pole size.

	02	03	04	05	06	07	08
09	10	11	12	13	14	15	16
17	18	19	20	21	22	23	24

(Information: page 143)

Standard pole sizes




 SEV Reg 130002

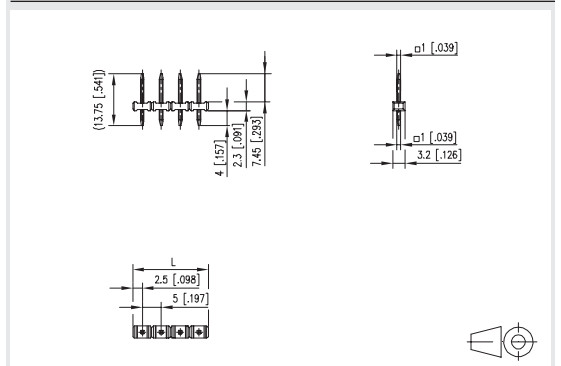
Product family	Pole size	Color	Option
PR055xxVBHC	5	048	*
Centerline	Design	Function	*old product name

- pin header, THR solderable
- centerline 5.00 mm, direction of connection vertical 0°
- fittable without loss of poles
- color black
- Tape & Reel packaging

Technical data

 V / A	300 / 15
SEV Reg 130002	13.5 A / 320 V / 4 kV / 3 IEC 61984
Overvoltage category	III III II
Pollution degree	3 2 2
Rated voltage	250 V 500 V 500 V
Rated test voltage	4.0 kV 4 kV 4.0 kV
Insulating material class	CTI 400
Clearance and creepage distances	4 mm
Solder pin dimension	1.0 x 1.0 mm
Recommended pc board hole dia.	ø 1.5 mm
Solder pin length	4 mm
Protection category according to IEC 60529	IP 00
Color	black

Dimensional drawing



L = (Pole size - 1) * centerline + 5 mm (0.197 in.)

P/N **310481**

Complete the part number by adding the pole size.









	02	03	04	05	06	07	08
09	10	11	12	13	14	15	16
17	18	19	20	21	22	23	24

(Information: page 143)

Standard pole sizes

Terminal blocks

for PR065xxVBEC Page









	SP045xxVBNC (ASP045)	53
	SP065xxVBNC	54
	SP065xxVBPC	54
	SP995xxVBNC	56
	RP015xxVBLC (Type 349)	113
	RP015xxSBLC (Type 350)	114
	RP035xxHBLC (Type 313)	116
	RP035xxHBLD (Type 314)	116

Accessories

for PR065xxVBEC Page
700024 297

Terminal blocks


for PR065xxVBBN Page

	SP045xxVBNC (ASP045)	53
	SP065xxVBNC	54
	SP065xxVBPC	54
	SP995xxVBNC	56
	RP015xxVBLC (Type 349)	113
	RP015xxSBLC (Type 350)	114
	RP035xxHBLC (Type 313)	116
	RP035xxHBLD (Type 314)	116

Accessories

for PR065xxVBBN Page
700024 297







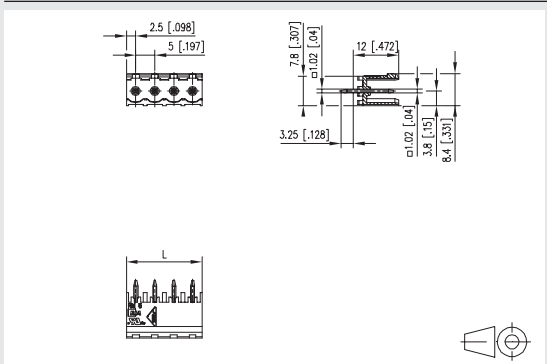
 Product family Pole size Color Option
PR065xxVBEC *(Type 477)
 Centerline Design Function *old product name

- pin header, THR solderable
- centerline 5.00 mm, direction of connection vertical 0°
- open ends
- color black
- Tape & Reel packaging
- codeable

Technical data

 V / A	300 / 15		
 13.5 A / 320 V / 4 kV / 3 IEC 61984			
Overvoltage category	III	III	II
Pollution degree	3	2	2
Rated voltage	320 V	800 V	800 V
Rated test voltage	4 kV	4.0 kV	4 kV
Insulating material class	CTI 600		
Clearance and creepage distances	4 mm		
Solder pin dimension	1.0 x 1.0 mm		
Recommended pc board hole dia.	ø 1.5 mm		
Solder pin length	3.25 mm		
Protection category according to IEC 60529	IP 00		
Color	black		

Dimensional drawing



L = (Pole size - 1) * centerline + 5 mm (0.197 in.)

Complete the part number by adding the pole size.


P/N 314771

	02	03	04	05	06	07	08
09	10	11	12				

(Information: page 143)

Standard pole sizes







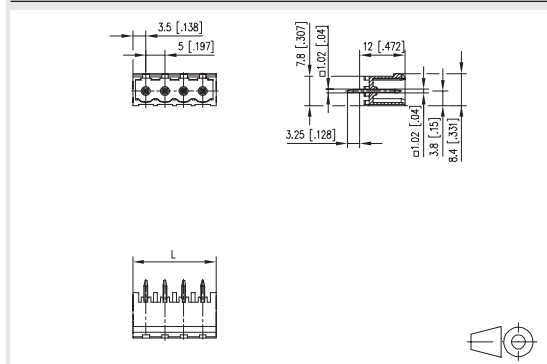
 Product family Pole size Color Option
PR065xxVBBN *(Type 177)
 Centerline Design Function *old product name

- pin header, THR solderable
- centerline 5.00 mm, direction of connection vertical 0°
- closed ends
- color black
- Tape & Reel packaging
- codeable

Technical data

 V / A	300 / 15		
 13.5 A / 320 V / 4 kV / 3 IEC 61984			
Overvoltage category	III	III	II
Pollution degree	3	2	2
Rated voltage	320 V	800 V	800 V
Rated test voltage	4 kV	4.0 kV	4 kV
Insulating material class	CTI 600		
Clearance and creepage distances	4 mm		
Solder pin dimension	1.0 x 1.0 mm		
Recommended pc board hole dia.	ø 1.5 mm		
Solder pin length	3.25 mm		
Protection category according to IEC 60529	IP 00		
Color	black		

Dimensional drawing



L = (Pole size - 1) * centerline + 7.0 mm (0.276 in.)

Complete the part number by adding the pole size.

P/N 311771

	02	03	04	05	06	07	08
09	10	11	12				

(Information: page 143)

Standard pole sizes

Terminal blocks

for PR065xxVBBF	Page
SP065xxVBNF	55
SP065xxVBPF	55
RP015xxVBLF (Type 351)	114

Accessories

for PR065xxVBBF 700024	Page
	297

Terminal blocks

for PM035xxVBHC	Page
SP025xxHDNC (ASP025)	52
RP025xxIBWC (Type 007)	108
RP025xxIBWU (Type 077)	108
RP025xxHBWC (Type 107)	109



Product family Pole size Color Option

PR065xxVBBF *(Type 397)

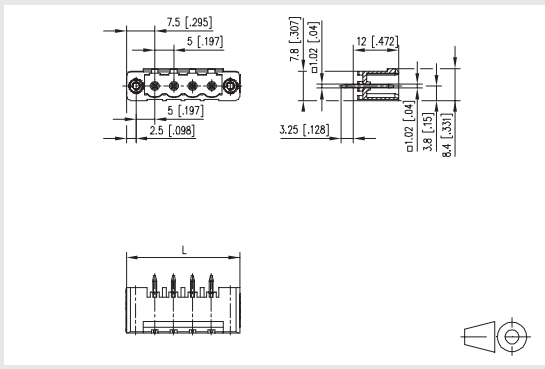
 Centerline Design Function *old product name

- pin header, THR solderable
- centerline 5.00 mm, direction of connection vertical 0°
- closed ends
- color black, mounting flange
- Tape & Reel packaging
- codeable

Technical data

V / A	300 / 15
13.5 A / 320 V / 4 kV / 3 IEC 61984	
Overvoltage category	III III II
Pollution degree	3 2 2
Rated voltage	320 V 800 V 800 V
Rated test voltage	4 kV 4.0 kV 4 kV
Insulating material class	CTI 600
Clearance and creepage distances	4 mm
Solder pin dimension	1.0 x 1.0 mm
Recommended pc board hole dia.	ø 1.5 mm
Solder pin length	3.25 mm
Protection category according to IEC 60529	IP 00
Color	black

Dimensional drawing



L = (Pole size - 1) * centerline + 7.0 mm (0.276 in.)

P/N **313971**

Complete the part number by adding the pole size.

	02	03	04	05	06	07	08
09	10	11	12				

(Information: page 143)

Standard pole sizes



Product family Pole size Color Option

PM035xxVBHC *(Type 417)

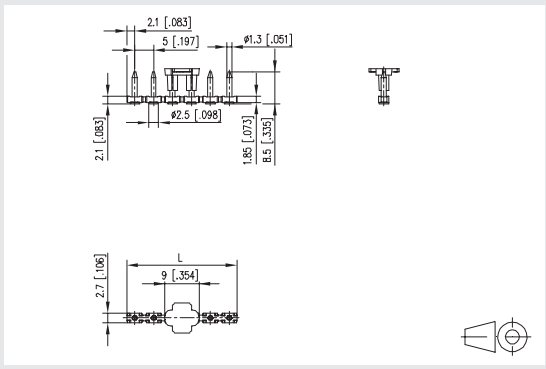
 Centerline Design Function *old product name

- pin header, SMT solderable
- centerline 5.00 mm, direction of connection vertical 0°
- fittable without loss of poles
- color black
- Tape & Reel packaging

Technical data

V / A	300 / 15
Overvoltage category	III III II
Pollution degree	3 2 2
Rated voltage	160 V 320 V 320 V
Rated test voltage	2.5 kV 2.5 kV 2.5 kV
Insulating material class	CTI 400
Clearance and creepage distances	2.5 mm
Solder pin dimension	2.5 mm
Protection category according to IEC 60529	IP 00
Color	black

Dimensional drawing



L = (Pole size - 1) * centerline + 4.8 mm (0.189 in.)

P/N **314171**

Complete the part number by adding the pole size.

	02	03	04	05	06	07	08
09	10	11	12				

(Information: page 143)

Standard pole sizes

Terminal blocks

for PT045xxVBEC Page

RP015xxWBWC (Type 009) 112

RP015xxWBLC (Type 049) 113

RP035xxIBLN (Type 013) 115

FT085xxVBFC (Type 026) 198

Terminal blocks

for PT045xxVBEN Page

SP995xxVBNC 56

RP015xxWBWC (Type 009) 112

RP015xxWBLC (Type 049) 113

RP085xxVBLC (Type 348) 115

RP035xxIBLN (Type 013) 115

FT085xxVBFC (Type 026) 198



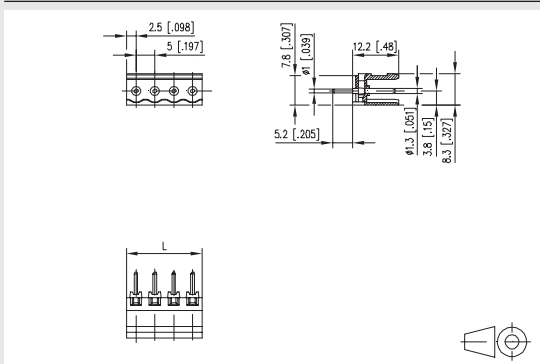
Product family Pole size Color Option
PT045xxVBEC *(Type 019)
Centerline Design Function *old product name

- pin header, solderable
- centerline 5.00 mm, direction of connection vertical 0°
- open ends, fittable without loss of poles
- color black

Technical data

300 V / A	300 / 15		
10 A / 250 V / 4 kV / 3 IEC 61984			
Overvoltage category	III	III	II
Pollution degree	3	2	2
Rated voltage	250 V	630 V	630 V
Rated test voltage	4.0 kV	4.0 kV	4 kV
Insulating material class	CTI 600		
Clearance and creepage distances	3.7 mm		
Solder pin dimension	1.0 mm		
Recommended pc board hole dia.	ø 1.3 mm		
Solder pin length	5.2 mm		
Protection category according to IEC 60529	IP 00		
Color	black		

Dimensional drawing



$L = (\text{Pole size} - 1) \cdot \text{centerline} + 5 \text{ mm (0.197 in.)}$

P/N **310191**

Complete the part number by adding the pole size.

	02	03	04	05	06	07	08
09	10	11	12	13	14	15	16
17	18	19	20	21	22		

(Information: page 143)

Standard pole sizes



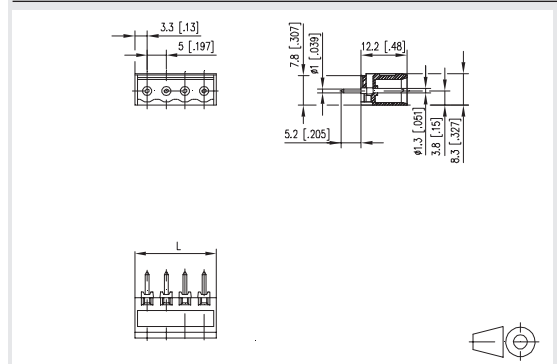
Product family Pole size Color Option
PT045xxVBEN *(Type 020)
Centerline Design Function *old product name

- pin header, solderable
- centerline 5.00 mm, direction of connection vertical 0°
- closed ends
- color black

Technical data

300 V / A	300 / 15		
10 A / 250 V / 4 kV / 3 IEC 61984			
Overvoltage category	III	III	II
Pollution degree	3	2	2
Rated voltage	250 V	630 V	630 V
Rated test voltage	4.0 kV	4.0 kV	4 kV
Insulating material class	CTI 600		
Clearance and creepage distances	3.7 mm		
Solder pin dimension	1.0 mm		
Recommended pc board hole dia.	ø 1.3 mm		
Solder pin length	5.2 mm		
Protection category according to IEC 60529	IP 00		
Color	black		

Dimensional drawing



$L = (\text{Pole size} - 1) \cdot \text{centerline} + 6.6 \text{ mm (0.260 in.)}$

P/N **310201**

Complete the part number by adding the pole size.

	02	03	04	05	06	07	08
09	10	11	12	13	14	15	16
17	18	19	20	21	22		

(Information: page 143)

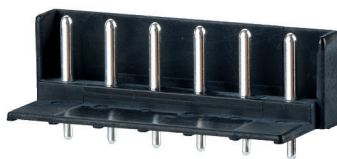
Standard pole sizes

Terminal blocks

for PT065xxVBEN	Page
SP025xxHDNC (ASP25)	52
RP025xxIBWC (Type 007)	108
RP025xxIBWU (Type 077)	108
RP025xxHBWC (Type 107)	109

Terminal blocks

for PT065xxVBVN	Page
RP025xxIBWC (Type 007)	108
RP025xxIBWU (Type 077)	108
RP025xxHBWC (Type 107)	109



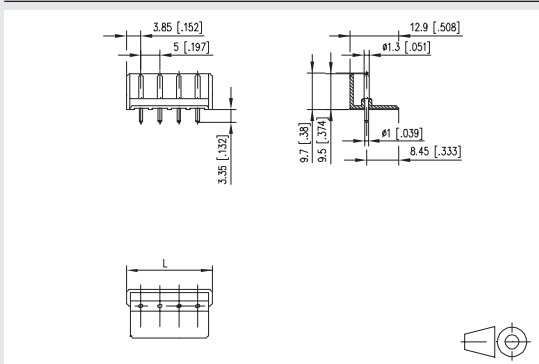
Product family	Pole size	Color	Option
PT065xxVBEN	5	V	BN
Centerline	Design	Function	*old product name

- pin header, solderable
- centerline 5.00 mm, direction of connection vertical 0°
- open ends, guiding ribs
- color black

Technical data

V / A	300 / 15
10 A / 250 V / 4 kV / 3 IEC 61984	
Overvoltage category	III III II
Pollution degree	3 2 2
Rated voltage	250 V 630 V 630 V
Rated test voltage	4.0 kV 4.0 kV 4 kV
Insulating material class	CTI 600
Clearance and creepage distances	3.7 mm
Solder pin dimension	1.0 mm
Recommended pc board hole dia.	ø 1.3 mm
Solder pin length	3.35 mm
Protection category according to IEC 60529	IP 00
Color	black

Dimensional drawing



L = (Pole size - 1) * centerline + 7.7 mm (0.303 in.)

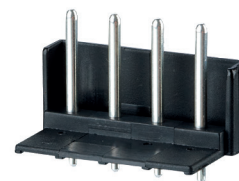
Complete the part number by adding the pole size.

P/N **310411**

	02	03	04	05	06	07	08
09	10	11	12				

(Information: page 143)

Standard pole sizes



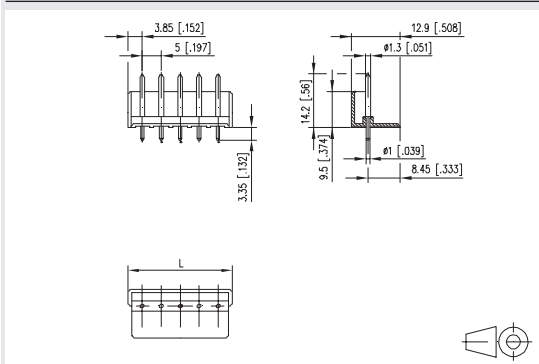
Product family	Pole size	Color	Option
PT065xxVBVN	5	V	VN
Centerline	Design	Function	*old product name

- pin header, solderable
- centerline 5.00 mm, direction of connection vertical 0°
- open ends, guiding ribs
- color black

Technical data

V / A	300 / 15
10 A / 250 V / 4 kV / 3 IEC 61984	
Overvoltage category	III III II
Pollution degree	3 2 2
Rated voltage	250 V 630 V 630 V
Rated test voltage	4.0 kV 4.0 kV 4 kV
Insulating material class	CTI 600
Clearance and creepage distances	3.7 mm
Solder pin dimension	1.0 mm
Recommended pc board hole dia.	ø 1.3 mm
Solder pin length	3.35 mm
Protection category according to IEC 60529	IP 00
Color	black

Dimensional drawing



L = (Pole size - 1) * centerline + 7.7 mm (0.303 in.)

Complete the part number by adding the pole size.

P/N **310421**

	02	03	04	05	06	07	08
09	10	11	12				

(Information: page 143)

Standard pole sizes

Terminal blocks

for PT105xxVGDN	Page
SP065xxVBNC	54
SP065xxVBPC	54
SP995xxVBNC	56
RP015xxVBLC (Type 349)	113
RP015xxSBLC (Type 350)	114
RP035xxHBLD (Type 314)	116

Terminal blocks

for PT115xxVBEC	Page
SP045xxVBNC (ASP045)	53
SP995xxVBNC	56
RP015xxVBLC (Type 349)	113
RP015xxSBLC (Type 350)	114
RP035xxHBLD (Type 313)	116
RP035xxHBLD (Type 314)	116

Accessories

for PT115xxVBEC 700024	Page
	297



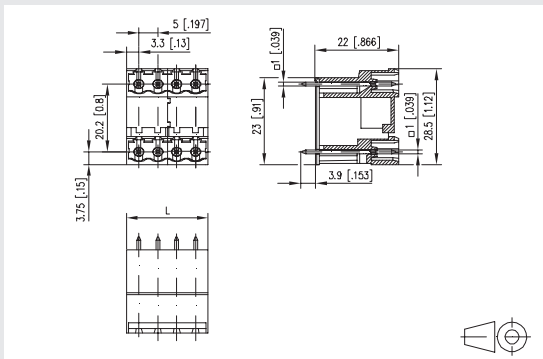
Product family Pole size Color Option
PT105xxVGDN *(Type 278)
 Centerline Design Function *old product name

- pin header, solderable
- centerline 5.00 mm, direction of connection vertical 0°
- closed ends
- color green
- two rows, aligned

Technical data

300 / 15			
13.5 A / 320 V / 4 kV / 3 IEC 61984			
Overvoltage category	III	III	II
Pollution degree	3	2	2
Rated voltage	320 V	800 V	800 V
Rated test voltage	4 kV	4.0 kV	4 kV
Insulating material class	CTI 600		
Clearance and creepage distances	4 mm		
Solder pin dimension	1.0 x 1.0 mm		
Recommended pc board hole dia.	ø 1.5 mm		
Solder pin length	3.9 mm		
Protection category according to IEC 60529	IP 00		
Color	green		

Dimensional drawing



L = (Pole size - 1) * centerline + 6.6 mm (0.260 in.)

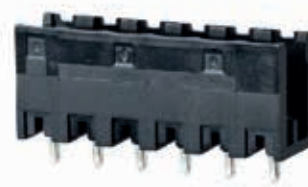
P/N **312781**

Complete the part number by adding the pole size.

	04	06	08	10	12	14	16
18	20	22	24	26	28	30	32
34	36	38	40	42	44	46	48

(Information: page 143)

Standard pole sizes



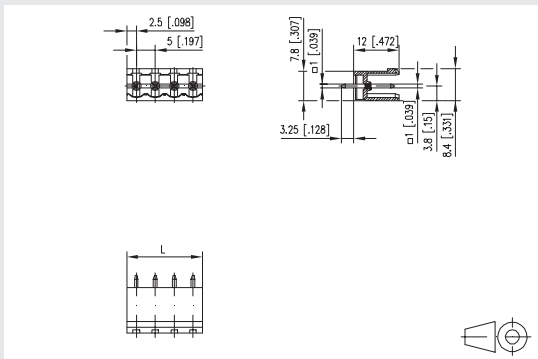
Product family Pole size Color Option
PT115xxVBEC *(Type 319)
 Centerline Design Function *old product name

- pin header, solderable
- centerline 5.00 mm, direction of connection vertical 0°
- open ends, fittable without loss of poles
- color black
- codeable

Technical data

300 / 15			
13.5 A / 320 V / 4 kV / 3 IEC 61984			
Overvoltage category	III	III	II
Pollution degree	3	2	2
Rated voltage	320 V	800 V	800 V
Rated test voltage	4 kV	4.0 kV	4 kV
Insulating material class	CTI 600		
Clearance and creepage distances	4 mm		
Solder pin dimension	1.0 x 1.0 mm		
Recommended pc board hole dia.	ø 1.5 mm		
Solder pin length	3.25 mm		
Protection category according to IEC 60529	IP 00		
Color	black		

Dimensional drawing



L = (Pole size - 1) * centerline + 5 mm (0.197 in.)

P/N **313191**

Complete the part number by adding the pole size.

	02	03	04	05	06	07	08
09	10	11	12	13	14	15	16
17	18	19	20	21	22	23	24

(Information: page 143)

Standard pole sizes

Terminal blocks

for PT115xxVBBN	Page
SP045xxVBNC (ASP045)	53
SP065xxVBNC	54
SP065xxVBPC	54
SP995xxVBNC	56
RP015xxVBLC (Type 349)	113
RP015xxSBLC (Type 350)	114
RP035xxHBLC (Type 313)	116
RP035xxHBLD (Type 314)	116

Accessories

for PT115xxVBBN	Page
700024	297

Terminal blocks

for PT115xxVBBF	Page
SP065xxVBNF	55
SP065xxVBPF	55
RP015xxVBLF (Type 351)	114

Accessories

for PT115xxVBBF	Page
700024	297



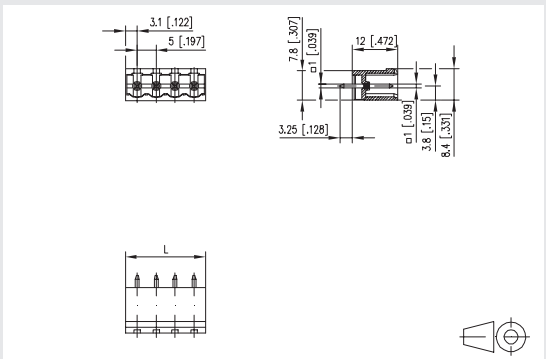
Product family	Pole size	Color	Option
PT115xxVBBN	5	Black	SEV
Centerline	Design	Function	*old product name

- pin header, solderable
- centerline 5.00 mm, direction of connection vertical 0°
- closed ends
- color black
- codeable

Technical data

13.5 A / 320 V / 4 kV / 3 IEC 61984	300 / 15
Overvoltage category	III III II
Pollution degree	3 2 2
Rated voltage	320 V 800 V 800 V
Rated test voltage	4 kV 4.0 kV 4 kV
Insulating material class	CTI 600
Clearance and creepage distances	4 mm
Solder pin dimension	1.0 x 1.0 mm
Recommended pc board hole dia.	ø 1.5 mm
Solder pin length	3.25 mm
Protection category according to IEC 60529	IP 00
Color	black

Dimensional drawing



L = (Pole size - 1) * centerline + 6.2 mm (0.244 in.)

P/N **313201**

Complete the part number by adding the pole size.

	02	03	04	05	06	07	08
09	10	11	12	13	14	15	16
17	18	19	20	21	22	23	24

(Information: page 143)

Standard pole sizes



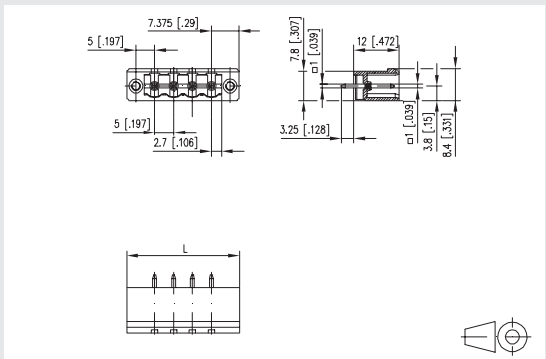
Product family	Pole size	Color	Option
PT115xxVBBF	5	Black	SEV
Centerline	Design	Function	*old product name

- pin header, solderable
- centerline 5.00 mm, direction of connection vertical 0°
- closed ends
- color black, mounting flange
- codeable

Technical data

13.5 A / 320 V / 4 kV / 3 IEC 61984	300 / 15
Overvoltage category	III III II
Pollution degree	3 2 2
Rated voltage	320 V 800 V 800 V
Rated test voltage	4 kV 4.0 kV 4 kV
Insulating material class	CTI 600
Clearance and creepage distances	4 mm
Solder pin dimension	1.0 x 1.0 mm
Recommended pc board hole dia.	ø 1.5 mm
Solder pin length	3.25 mm
Protection category according to IEC 60529	IP 00
Color	black

Dimensional drawing



L = (Pole size - 1) * centerline + 14.75 mm (0.581 in.)

P/N **313351**

Complete the part number by adding the pole size.

	02	03	04	05	06	07	08
09	10	11	12	13	14	15	16
17	18	19	20	21	22	23	24

(Information: page 143)

Standard pole sizes

Terminal blocks

for PT165xxVGDN	Page
SP045xxVBNC (ASP045)	53
SP065xxVBNC	54
SP065xxVBPC	54
SP995xxVBNC	56
RP015xxVBLC (Type 349)	113
RP015xxSBLC (Type 350)	114
RP035xxHBLD (Type 314)	116

Terminal blocks

for PT175xxVGDN	Page
SP045xxVBNC (ASP045)	53
SP065xxVBNC	54
SP065xxVBPC	54
SP995xxVBNC	56
RP015xxVBLC (Type 349)	113
RP015xxSBLC (Type 350)	114
RP035xxHBLD (Type 314)	116



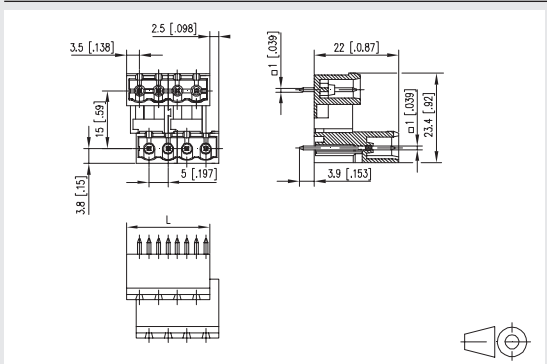
PT165xxVGDN *(Type 274)
 Product family Pole size Color Option
 Centerline Design Function *old product name

- pin header, solderable
- centerline 5.00 mm, direction of connection vertical 0°
- closed ends
- color green
- staggered pins, double stacked

Technical data

UL V / A	300 / 15
13.5 A / 320 V / 4 kV / 3 IEC 61984	
Overvoltage category	III III II
Pollution degree	3 2 2
Rated voltage	320 V 800 V 800 V
Rated test voltage	4 kV 4.0 kV 4 kV
Insulating material class	CTI 600
Clearance and creepage distances	4 mm
Solder pin dimension	1.0 x 1.0 mm
Recommended pc board hole dia.	ø 1.5 mm
Solder pin length	3.9 mm
Protection category according to IEC 60529	IP 00
Color	green

Dimensional drawing



L = (Pole size - 1) * centerline + 7 mm (0.276 in.)

P/N **312741**

Complete the part number by adding the pole size.

	04	06	08	10	12	14	16
	18	20	22	24	26	28	30
	34	36	38	40	42	44	46
	48						

(Information: page 143)

Standard pole sizes



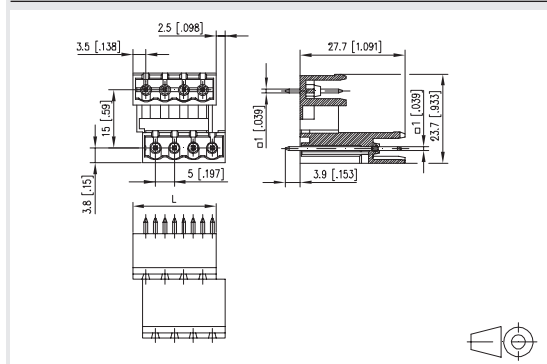
PT175xxVGDN *(Type 270)
 Product family Pole size Color Option
 Centerline Design Function *old product name

- pin header, solderable
- centerline 5.00 mm, direction of connection vertical 0°
- closed ends
- color green
- staggered pins, double stacked

Technical data

UL V / A	300 / 15
Overvoltage category	III III II
Pollution degree	3 2 2
Rated voltage	320 V 800 V 800 V
Rated test voltage	4 kV 4.0 kV 4 kV
Insulating material class	CTI 600
Clearance and creepage distances	4 mm
Solder pin dimension	1.0 x 1.0 mm
Recommended pc board hole dia.	ø 1.5 mm
Solder pin length	3.9 mm
Protection category according to IEC 60529	IP 00
Color	green

Dimensional drawing



L = (Pole size - 1) * centerline + 7 mm (0.276 in.)

P/N **312701**

Complete the part number by adding the pole size.

	04	06	08	10	12	14	16
	18	20	22	24	26	28	30
	34	36	38	40	42	44	46
	48						

(Information: page 143)

Standard pole sizes

Terminal blocks

for PR066xxHBEC	Page
SP046xxVBNC (ASP046)	57
SP066xxVBNC	57
SP066xxVBPC	58
RP016xxVBLC (Type 249)	118
RP016xxSBLC (Type 250)	119
RP036xxHBLC (Type 213)	120
RP036xxHBLD (Type 214)	120

Accessories

for PR066xxHBEC	Page
700024	297

Terminal blocks

for PR066xxHBBN	Page
SP046xxVBNC (ASP046)	57
RP016xxVBLC (Type 249)	118
RP016xxSBLC (Type 250)	119
RP036xxHBLC (Type 213)	120
RP036xxHBLD (Type 214)	120

Accessories

for PR066xxHBBN	Page
700024	297



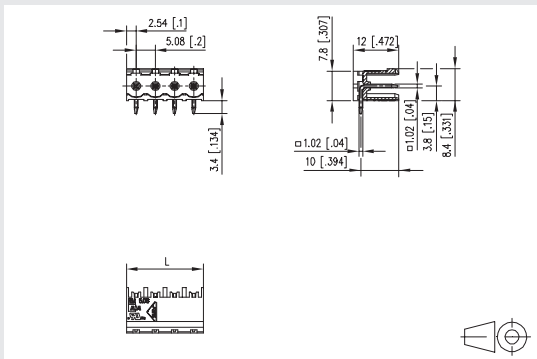
PR066xxHBEC *(Type 478)
 Product family Pole size Color Option
 Centerline Design Function *old product name

- pin header, THR solderable
- centerline 5.08 mm, direction of connection 90°
- open ends
- color black
- Tape & Reel packaging
- codeable

Technical data

300 / 15			
13.5 A / 320 V / 4 kV / 3 IEC 61984			
Overvoltage category	III	III	II
Pollution degree	3	2	2
Rated voltage	320 V	800 V	800 V
Rated test voltage	4 kV	4.0 kV	4 kV
Insulating material class	CTI 600		
Clearance and creepage distances	4.08 mm		
Solder pin dimension	1.0 x 1.0 mm		
Recommended pc board hole dia.	ø 1.5 mm		
Solder pin length	3.4 mm		
Protection category according to IEC 60529	IP 00		
Color	black		

Dimensional drawing



L = (Pole size - 1) * centerline + 5.08 mm (0.200 in.)

P/N **314781**

Complete the part number by adding the pole size.

	02	03	04	05	06	07	08
09	10	11	12				

(Information: page 143)

Standard pole sizes



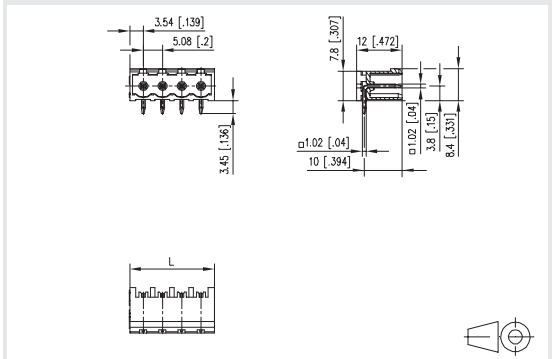
PR066xxHBBN *(Type 178)
 Product family Pole size Color Option
 Centerline Design Function *old product name

- pin header, THR solderable
- centerline 5.08 mm, direction of connection 90°
- closed ends
- color black
- Tape & Reel packaging
- codeable

Technical data

300 / 15			
13.5 A / 320 V / 4 kV / 3 IEC 61984			
Overvoltage category	III	III	II
Pollution degree	3	2	2
Rated voltage	320 V	800 V	800 V
Rated test voltage	4 kV	4.0 kV	4 kV
Insulating material class	CTI 600		
Clearance and creepage distances	4.08 mm		
Solder pin dimension	1.0 x 1.0 mm		
Recommended pc board hole dia.	ø 1.5 mm		
Solder pin length	3.45 mm		
Protection category according to IEC 60529	IP 00		
Color	black		

Dimensional drawing



L = (Pole size - 1) * centerline + 7.08 mm (0.279 in.)

P/N **311781**

Complete the part number by adding the pole size.

	02	03	04	05	06	07	08
09	10	11	12				

(Information: page 143)

Standard pole sizes

Terminal blocks

for PT106xxHGDN	Page
SP046xxVBNC (ASP046)	57
RP016xxVBLC (Type 249)	118
RP016xxSBLC (Type 250)	119

Terminal blocks

for PT116xxHBEC	Page
SP046xxVBNC (ASP046)	57
RP016xxVBLC (Type 249)	118
RP016xxSBLC (Type 250)	119
RP036xxHBLC (Type 213)	120
RP036xxHBLD (Type 214)	120

Accessories

for PT116xxHBEC 700024	Page
	297



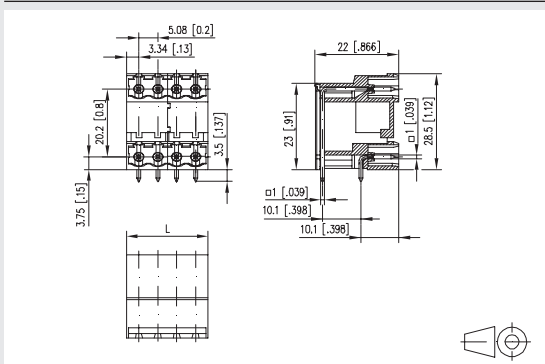
Product family	Pole size	Color	Option
PT106xxHGDN *(Type 292)			
Centerline	Design	Function	*old product name

- pin header, solderable
- centerline 5.08 mm, direction of connection 90°
- closed ends
- color green
- two rows, equal poles

Technical data

US V / A	300 / 15		
13.5 A / 320 V / 4 kV / 3 IEC 61984			
Overvoltage category	III	III	II
Pollution degree	3	2	2
Rated voltage	320 V	800 V	800 V
Rated test voltage	4 kV	4.0 kV	4 kV
Insulating material class	CTI 600		
Clearance and creepage distances	4.08 mm		
Solder pin dimension	1.0 x 1.0 mm		
Recommended pc board hole dia.	ø 1.5 mm		
Solder pin length	3.5 mm		
Protection category according to IEC 60529	IP 00		
Color	green		

Dimensional drawing



$L = (\text{Pole size} - 1) * \text{centerline} + 6.68 \text{ mm (0.263 in.)}$

P/N **312921**

Complete the part number by adding the pole size.

	04	06	08	10	12	14	16
18	20	22	24	26	28	30	32
34	36	38	40	42	44	46	48

(Information: page 143)

Standard pole sizes



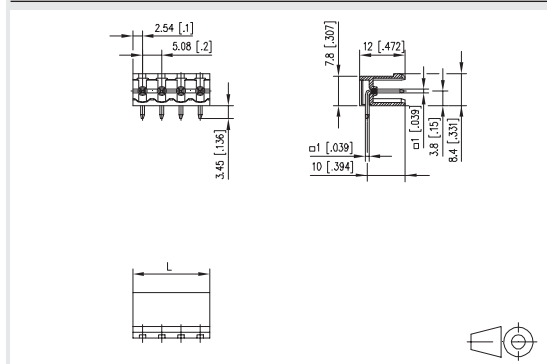
Product family	Pole size	Color	Option
PT116xxHBEC *(Type 229)			
Centerline	Design	Function	*old product name

- pin header, solderable
- centerline 5.08 mm, direction of connection 90°
- open ends, fittable without loss of poles
- color black
- codeable

Technical data

US V / A	300 / 15		
13.5 A / 320 V / 4 kV / 3 IEC 61984			
Overvoltage category	III	III	II
Pollution degree	3	2	2
Rated voltage	320 V	800 V	800 V
Rated test voltage	4 kV	4.0 kV	4 kV
Insulating material class	CTI 600		
Clearance and creepage distances	4.08 mm		
Solder pin dimension	1.0 x 1.0 mm		
Recommended pc board hole dia.	ø 1.5 mm		
Solder pin length	3.45 mm		
Protection category according to IEC 60529	IP 00		
Color	black		

Dimensional drawing



$L = (\text{Pole size} - 1) * \text{centerline} + 4.98 \text{ mm (0.196 in.)}$

P/N **312291**

Complete the part number by adding the pole size.

	02	03	04	05	06	07	08
09	10	11	12	13	14	15	16
17	18	19	20	21	22	23	24

(Information: page 143)

Standard pole sizes

Terminal blocks

for PT116xxHBBN	Page
SP046xxVBNC (ASP046)	57
RP016xxVBLC (Type 249)	118
RP016xxSBLC (Type 250)	119
RP036xxHBLC (Type 213)	120
RP036xxHBLD (Type 214)	120

Accessories

for PT116xxHBBN 700024	Page
	297

Terminal blocks

for PT116xxHBBF	Page
SP066xxVBNF	58
SP066xxVBPF	59
RP016xxVBLF (Type 251)	119
RP036xxHBLF (Type 217)	121
RP036xxHBLS (Type 218)	121

Accessories

for PT116xxHBBF 700024	Page
	297



Product family: **PT116xxHBBN** * (Type 230)
 Pole size: 6
 Color: Black
 Option: None

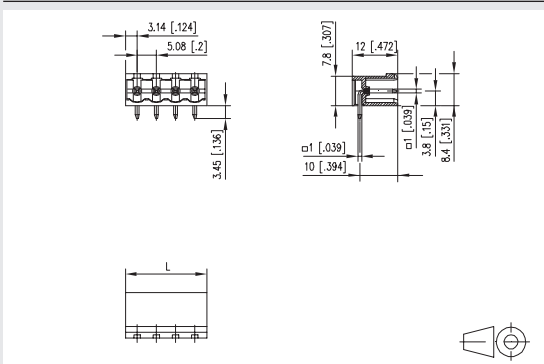
Centerline Design Function *old product name

- pin header, solderable
- centerline 5.08 mm, direction of connection 90°
- closed ends
- color black
- codeable

Technical data

US V / A	300 / 15		
13.5 A / 320 V / 4 kV / 3 IEC 61984			
Overvoltage category	III	III	II
Pollution degree	3	2	2
Rated voltage	320 V	800 V	800 V
Rated test voltage	4 kV	4.0 kV	4 kV
Insulating material class	CTI 600		
Clearance and creepage distances	4.08 mm		
Solder pin dimension	1.0 x 1.0 mm		
Recommended pc board hole dia.	ø 1.5 mm		
Solder pin length	3.45 mm		
Protection category according to IEC 60529	IP 00		
Color	black		

Dimensional drawing



$L = (\text{Pole size} - 1) * \text{centerline} + 6.28 \text{ mm (0.247 in.)}$

P/N **312301**

Complete the part number by adding the pole size.

	02	03	04	05	06	07	08
09	10	11	12	13	14	15	16
17	18	19	20	21	22	23	24

(Information: page 143)

Standard pole sizes



Product family: **PT116xxHBBF** * (Type 236)
 Pole size: 6
 Color: Black
 Option: Mounting flange

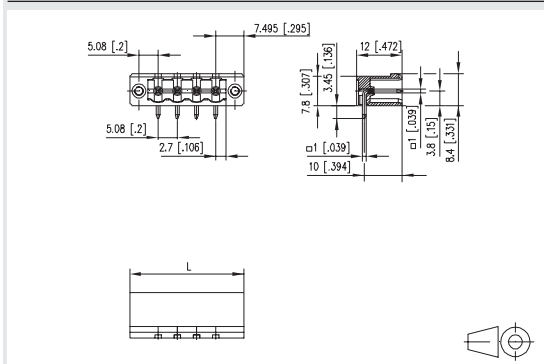
Centerline Design Function *old product name

- pin header, solderable
- centerline 5.08 mm, direction of connection 90°
- closed ends
- color black, mounting flange
- codeable

Technical data

US V / A	300 / 15		
13.5 A / 320 V / 4 kV / 3 IEC 61984			
Overvoltage category	III	III	II
Pollution degree	3	2	2
Rated voltage	320 V	800 V	800 V
Rated test voltage	4 kV	4.0 kV	4 kV
Insulating material class	CTI 600		
Clearance and creepage distances	4.08 mm		
Solder pin dimension	1.0 x 1.0 mm		
Recommended pc board hole dia.	ø 1.5 mm		
Solder pin length	3.45 mm		
Protection category according to IEC 60529	IP 00		
Color	black		

Dimensional drawing



$L = (\text{Pole size} - 1) * \text{centerline} + 14.99 \text{ mm (0.590 in.)}$

P/N **312361**

Complete the part number by adding the pole size.

	02	03	04	05	06	07	08
09	10	11	12	13	14	15	16
17	18	19	20	21	22	23	24

(Information: page 143)

Standard pole sizes

Terminal blocks

for PT16xxHGDN	Page
SP046xxVBNC (ASP046)	57
RP016xxSBLC (Type 250)	119
RP036xxHBLD (Type 214)	120

Terminal blocks

for PR016xxVBHC	Page
RP026xxIBWU (Type 079)	118



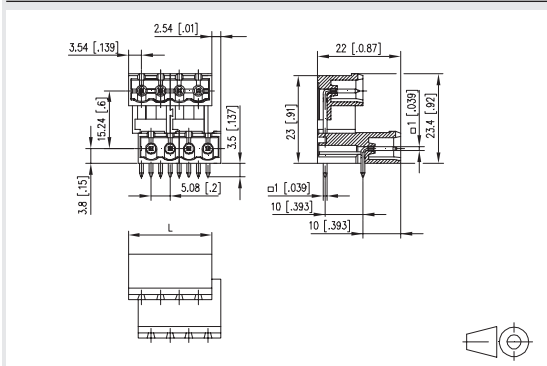
Product family	Pole size	Color	Option
PT166xxHGDN *(Type 288)			
Centerline	Design	Function	*old product name

- pin header, solderable
- centerline 5.08 mm, direction of connection 90°
- closed ends
- color green
- staggered pins, double stacked

Technical data

300 / 15	
13.5 A / 320 V / 4 kV / 3 IEC 61984	
Overvoltage category	III III II
Pollution degree	3 2 2
Rated voltage	320 V 800 V 800 V
Rated test voltage	4 kV 4.0 kV 4 kV
Insulating material class	CTI 600
Clearance and creepage distances	4.08 mm
Solder pin dimension	1.0 x 1.0 mm
Recommended pc board hole dia.	ø 1.5 mm
Solder pin length	3.5 mm
Protection category according to IEC 60529	IP 00
Color	green

Dimensional drawing



L = (Pole size - 1) * centerline + 7.08 mm (0.279 in.)

P/N **312881**

Complete the part number by adding the pole size.

	04	06	08	10	12	14	16
	18	20	22	24	26	28	30
	34	36	38	40	42	44	46
	48						

(Information: page 143)

Standard pole sizes



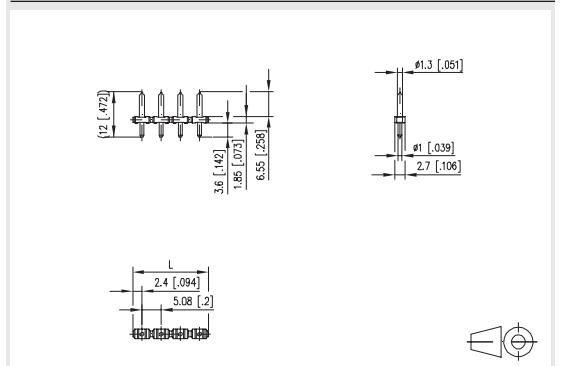
Product family	Pole size	Color	Option
PR016xxVBHC *(Type 018)			
Centerline	Design	Function	*old product name

- pin header, THR solderable
- centerline 5.08 mm, direction of connection vertical 0°
- fittable without loss of poles
- color black

Technical data

300 / 15	
SEV Reg 130002 10 A / 250 V / 4 kV / 3 IEC 61984	
Overvoltage category	III III II
Pollution degree	3 2 2
Rated voltage	250 V 500 V 500 V
Rated test voltage	4.0 kV 4 kV 4.0 kV
Insulating material class	CTI 400
Clearance and creepage distances	3.78 mm
Solder pin dimension	1.0 mm
Recommended pc board hole dia.	ø 1.3 mm
Solder pin length	3.6 mm
Protection category according to IEC 60529	IP 00
Color	black

Dimensional drawing



L = (Pole size - 1) * centerline + 4.8 mm (0.189 in.)

P/N **310181**


Complete the part number by adding the pole size.

	02	03	04	05	06	07	08
	09	10	11	12	13	14	15
	17	18	19	20	21	22	23
	24						


(Information: page 143)

Standard pole sizes


Terminal blocks

for PR016xxVBVC **Page**
 RP026xxlBWU (Type 079) 118

Terminal blocks

for PM016xxVBHC **Page**
 RP026xxlBWU (Type 079) 118






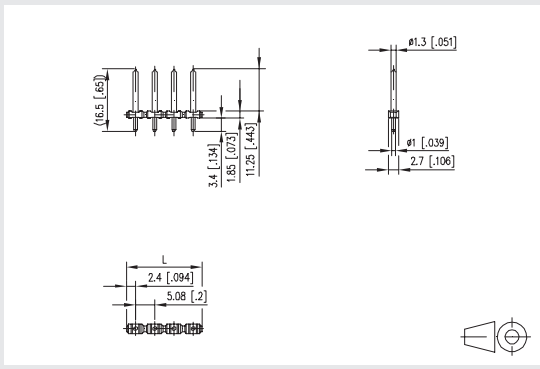
Product family	Pole size	Color	Option
PR016xxVBVC			
Centerline	Design	Function	*old product name

- pin header, THR solderable
- centerline 5.08 mm, direction of connection vertical 0°
- fittable without loss of poles
- color black

Technical data

c  us V / A	300 / 15		
SEV Reg 130002	10 A / 250 V / 4 kV / 3	IEC 61984	
Overvoltage category	III	III	II
Pollution degree	3	2	2
Rated voltage	250 V	500 V	500 V
Rated test voltage	4.0 kV	4 kV	4.0 kV
Insulating material class	CTI 400		
Clearance and creepage distances	3.78 mm		
Solder pin dimension	1.0 mm		
Recommended pc board hole dia.	ø 1.3 mm		
Solder pin length	3.4 mm		
Protection category according to IEC 60529	IP 00		
Color	black		

Dimensional drawing



L = (Pole size - 1) * centerline + 4.8 mm (0.189 in.)

P/N **310281**


Complete the part number by adding the pole size.

	02	03	04	05	06	07	08
09	10	11	12	13	14	15	16
17	18	19	20	21	22	23	24

(Information: page 143)

Standard pole sizes







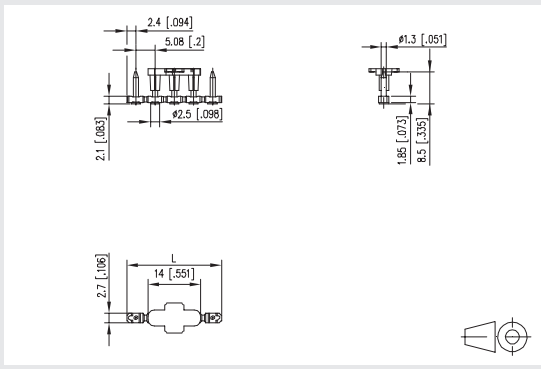
Product family	Pole size	Color	Option
PM016xxVBHC			
Centerline	Design	Function	

- pin header, SMT solderable
- centerline 5.08 mm, direction of connection vertical 0°
- fittable without loss of poles
- color black
- Tape & Reel packaging

Technical data

c  us V / A	130 / 10		
 V / A	130 / 10		
Overvoltage category	III	III	II
Pollution degree	3	2	2
Rated voltage	160 V	320 V	320 V
Rated test voltage	2.5 kV	2.5 kV	2.5 kV
Insulating material class	CTI 400		
Clearance and creepage distances	2.5 mm		
Solder pin dimension	2.5 mm		
Protection category according to IEC 60529	IP 00		
Color	black		

Dimensional drawing



L = (Pole size - 1) * centerline + 4.8 mm (0.189 in.)

P/N **PM016** **VBHC**

Complete the part number by adding the pole size.

	02	03	04	05	06	07	08
09	10	11	12				

(Information: page 143)

Standard pole sizes

Terminal blocks

for PR066xxHBBF	Page
SP066xxVBNF	58
SP066xxVBPF	59
RP016xxVBLF (Type 251)	119

Accessories

for PR066xxHBBF	Page
700024	297

Terminal blocks

for PR066xxVBBF	Page
SP066xxVBNF	58

Accessories

for PR066xxVBBF	Page
700024	297



Product family Pole size Color Option

PR066xxHBBF *(Type 398)

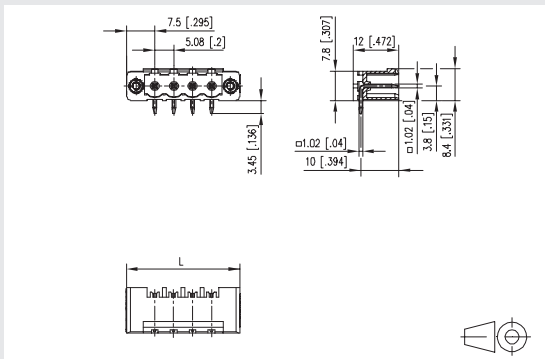
 Centerline Design Function *old product name

- pin header, THR solderable
- centerline 5.08 mm, direction of connection 90°
- closed ends
- color black, mounting flange
- Tape & Reel packaging
- codeable

Technical data

V / A	300 / 15
13.5 A / 320 V / 4 kV / 3 IEC 61984	
Overvoltage category	III III II
Pollution degree	3 2 2
Rated voltage	320 V 800 V 800 V
Rated test voltage	4 kV 4.0 kV 4 kV
Insulating material class	CTI 600
Clearance and creepage distances	4.08 mm
Solder pin dimension	1.0 x 1.0 mm
Recommended pc board hole dia.	ø 1.5 mm
Solder pin length	3.45 mm
Protection category according to IEC 60529	IP 00
Color	black

Dimensional drawing



L = (Pole size - 1) * centerline + 7.08 mm (0.279 in.)

P/N **313981**

Complete the part number by adding the pole size.

	02	03	04	05	06	07	08
09	10	11	12				

(Information: page 143)

Standard pole sizes



Product family Pole size Color Option

PR066xxVBBF *(Type 399)

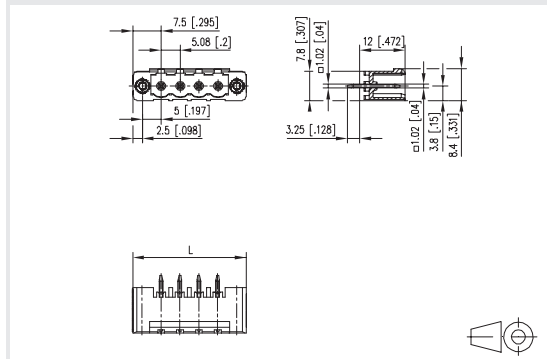
 Centerline Design Function *old product name

- pin header, THR solderable
- centerline 5.08 mm, direction of connection vertical 0°
- closed ends
- color black, mounting flange
- Tape & Reel packaging
- codeable

Technical data

V / A	300 / 15
13.5 A / 320 V / 4 kV / 3 IEC 61984	
Overvoltage category	III III II
Pollution degree	3 2 2
Rated voltage	320 V 800 V 800 V
Rated test voltage	4 kV 4.0 kV 4 kV
Insulating material class	CTI 600
Clearance and creepage distances	4.08 mm
Solder pin dimension	1.0 x 1.0 mm
Recommended pc board hole dia.	ø 1.5 mm
Solder pin length	3.25 mm
Protection category according to IEC 60529	IP 00
Color	black

Dimensional drawing



L = (Pole size - 1) * centerline + 7.08 mm (0.279 in.)

P/N **313991**

Complete the part number by adding the pole size.

	02	03	04	05	06	07	08
09	10	11	12				

(Information: page 143)

Standard pole sizes

Terminal blocks

for PR066xxVBEC	Page
SP046xxVBNC (ASP046)	57
SP066xxVBNC	57
SP066xxVBPC	58
RP016xxVBLC (Type 249)	118
RP016xxSBLC (Type 250)	119
RP036xxHBLC (Type 213)	120
RP036xxHBLD (Type 214)	120

Accessories

for PR066xxVBEC 700024	Page
	297

Terminal blocks

for PR066xxVBBN	Page
RP016xxVBLC (Type 249)	118
RP016xxSBLC (Type 250)	119

Accessories

for PR066xxVBBN 700024	Page
	297



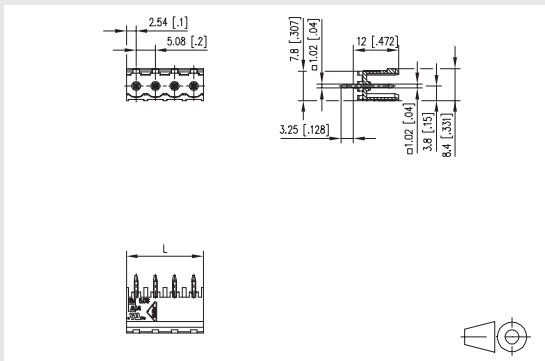
Product family Pole size Color Option
PR066xxVBEC *(Type 479)
 Centerline Design Function *old product name

- pin header, THR solderable
- centerline 5.08 mm, direction of connection vertical 0°
- open ends
- color black
- Tape & Reel packaging
- codeable

Technical data

V / A	300 / 15		
13.5 A / 320 V / 4 kV / 3 IEC 61984			
Overvoltage category	III	III	II
Pollution degree	3	2	2
Rated voltage	320 V	800 V	800 V
Rated test voltage	4 kV	4.0 kV	4 kV
Insulating material class	CTI 600		
Clearance and creepage distances	4.08 mm		
Solder pin dimension	1.0 x 1.0 mm		
Recommended pc board hole dia.	ø 1.5 mm		
Solder pin length	3.25 mm		
Protection category according to IEC 60529	IP 00		
Color	black		

Dimensional drawing



$L = (\text{Pole size} - 1) * \text{centerline} + 5.08 \text{ mm (0.200 in.)}$

Complete the part number by adding the pole size.

P/N 314791

	02	03	04	05	06	07	08
09	10	11	12				

(Information: page 143)

Standard pole sizes



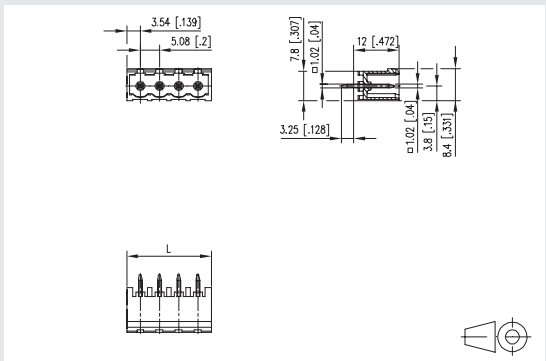
Product family Pole size Color Option
PR066xxVBBN *(Type 179)
 Centerline Design Function *old product name

- pin header, THR solderable
- centerline 5.08 mm, direction of connection vertical 0°
- closed ends
- color black
- Tape & Reel packaging
- codeable

Technical data

V / A	300 / 15		
13.5 A / 320 V / 4 kV / 3 IEC 61984			
Overvoltage category	III	III	II
Pollution degree	3	2	2
Rated voltage	320 V	800 V	800 V
Rated test voltage	4 kV	4.0 kV	4 kV
Insulating material class	CTI 600		
Clearance and creepage distances	4.08 mm		
Solder pin dimension	1.0 x 1.0 mm		
Recommended pc board hole dia.	ø 1.5 mm		
Solder pin length	3.25 mm		
Protection category according to IEC 60529	IP 00		
Color	black		

Dimensional drawing



$L = (\text{Pole size} - 1) * \text{centerline} + 7.08 \text{ mm (0.279 in.)}$

Complete the part number by adding the pole size.




P/N 311791

	02	03	04	05	06	07	08
09	10	11	12				









(Information: page 143)

Standard pole sizes

Terminal blocks

for PT106xxVGDN	Page
 SP046xxVBNC (ASP046)	57
 RP016xxVBLC (Type 249)	118
 RP016xxSBLC (Type 250)	119


Terminal blocks

for PT116xxVBEC	Page
 SP046xxVBNC (ASP046)	57
 SP066xxVBNC	57
 SP066xxVBPC	58
 RP016xxVBLC (Type 249)	118
 RP016xxSBLC (Type 250)	119
 RP036xxHBLC (Type 213)	120
 RP036xxHBLD (Type 214)	120
 RP01AxxVBLC (Type 249)	126

Accessories

for PT116xxVBEC 700024	Page
	297







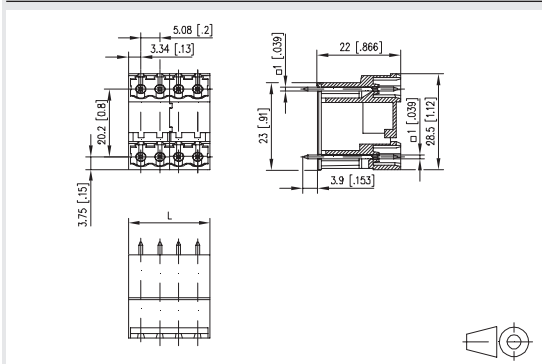
Product family	Pole size	Color	Option
PT106xxVGDN *(Type 290)			
Centerline	Design	Function	*old product name

- pin header, solderable
- centerline 5.08 mm, direction of connection vertical 0°
- closed ends
- color green
- two rows, aligned

Technical data

 US V / A	300 / 15		
 13.5 A / 320 V / 4 kV / 3 IEC 61984			
Overvoltage category	III	III	II
Pollution degree	3	2	2
Rated voltage	320 V	800 V	800 V
Rated test voltage	4 kV	4.0 kV	4 kV
Insulating material class	CTI 600		
Clearance and creepage distances	4.08 mm		
Solder pin dimension	1.0 x 1.0 mm		
Recommended pc board hole dia.	ø 1.5 mm		
Solder pin length	3.9 mm		
Protection category according to IEC 60529	IP 00		
Color	green		

Dimensional drawing



$L = (\text{Pole size} - 1) * \text{centerline} + 6.68 \text{ mm (0.263 in.)}$

P/N **312901**


Complete the part number by adding the pole size.

	04	06	08	10	12	14	16
18	20	22	24	26	28	30	32
34	36	38	40	42	44	46	48

(Information: page 143)

Standard pole sizes


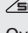




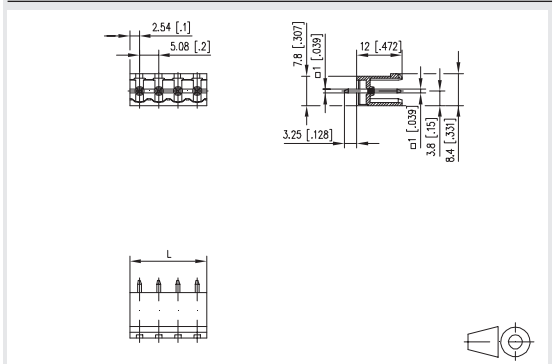
Product family	Pole size	Color	Option
PT116xxVBEC *(Type 219)			
Centerline	Design	Function	*old product name

- pin header, solderable
- centerline 5.08 mm, direction of connection vertical 0°
- open ends, fittable without loss of poles
- color black
- codeable

Technical data

 US V / A	300 / 15		
 13.5 A / 320 V / 4 kV / 3 IEC 61984			
Overvoltage category	III	III	II
Pollution degree	3	2	2
Rated voltage	320 V	800 V	800 V
Rated test voltage	4 kV	4.0 kV	4 kV
Insulating material class	CTI 600		
Clearance and creepage distances	4.08 mm		
Solder pin dimension	1.0 x 1.0 mm		
Recommended pc board hole dia.	ø 1.5 mm		
Solder pin length	3.25 mm		
Protection category according to IEC 60529	IP 00		
Color	black		

Dimensional drawing



$L = (\text{Pole size} - 1) * \text{centerline} + 4.98 \text{ mm (0.196 in.)}$

P/N **312191**

Complete the part number by adding the pole size.

	02	03	04	05	06	07	08
09	10	11	12	13	14	15	16
17	18	19	20	21	22	23	24

(Information: page 143)

Standard pole sizes

Terminal blocks

for PT116xxVBBN	Page
SP046xxVBNC (ASP046)	57
SP066xxVBNC	57
SP066xxVBPC	58
RP016xxVBLC (Type 249)	118
RP016xxSBLC (Type 250)	119
RP036xxHBLC (Type 213)	120
RP036xxHBLD (Type 214)	120
RP01AxxVBLC (Type 249)	126

Accessories

for PT116xxVBBN	Page
700024	297

Terminal blocks

for PT116xxVBBF	Page
SP066xxVBNF	58
SP066xxVBPF	59
RP016xxVBLF (Type 251)	119
RP036xxHBLF (Type 217)	121
RP036xxHBLS (Type 218)	121

Accessories

for PT116xxVBBF	Page
700024	297



Product family Pole size Color Option

PT116xxVBBN *(Type 220)

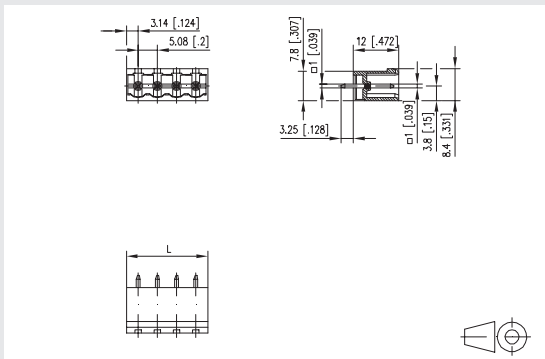
 Centerline Design Function *old product name

- pin header, solderable
- centerline 5.08 mm, direction of connection vertical 0°
- closed ends
- color black
- codeable

Technical data

13.5 A / 320 V / 4 kV / 3 IEC 61984	300 / 15
Overvoltage category	III III II
Pollution degree	3 2 2
Rated voltage	320 V 800 V 800 V
Rated test voltage	4 kV 4.0 kV 4 kV
Insulating material class	CTI 600
Clearance and creepage distances	4.08 mm
Solder pin dimension	1.0 x 1.0 mm
Recommended pc board hole dia.	ø 1.5 mm
Solder pin length	3.25 mm
Protection category according to IEC 60529	IP 00
Color	black

Dimensional drawing



L = (Pole size - 1) * centerline + 6.28 mm (0.247 in.)

Complete the part number by adding the pole size.

P/N **312201**

	02	03	04	05	06	07	08
09	10	11	12	13	14	15	16
17	18	19	20	21	22	23	24

(Information: page 143)

Standard pole sizes



Product family Pole size Color Option

PT116xxVBBF *(Type 235)

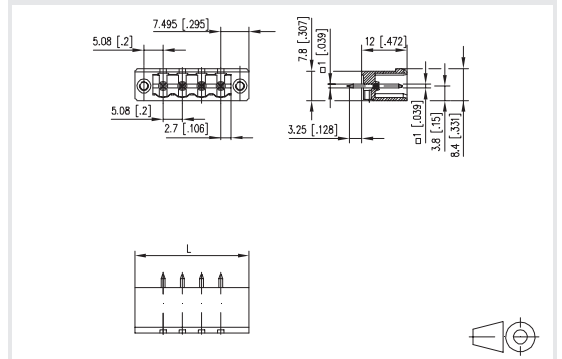
 Centerline Design Function *old product name

- pin header, solderable
- centerline 5.08 mm, direction of connection vertical 0°
- closed ends
- color black, mounting flange
- codeable

Technical data

13.5 A / 320 V / 4 kV / 3 IEC 61984	300 / 15
Overvoltage category	III III II
Pollution degree	3 2 2
Rated voltage	320 V 800 V 800 V
Rated test voltage	4 kV 4.0 kV 4 kV
Insulating material class	CTI 600
Clearance and creepage distances	4.08 mm
Solder pin dimension	1.0 x 1.0 mm
Recommended pc board hole dia.	ø 1.5 mm
Solder pin length	3.25 mm
Protection category according to IEC 60529	IP 00
Color	black

Dimensional drawing



L = (Pole size - 1) * centerline + 14.99 mm (0.590 in.)

Complete the part number by adding the pole size.




P/N **312351**

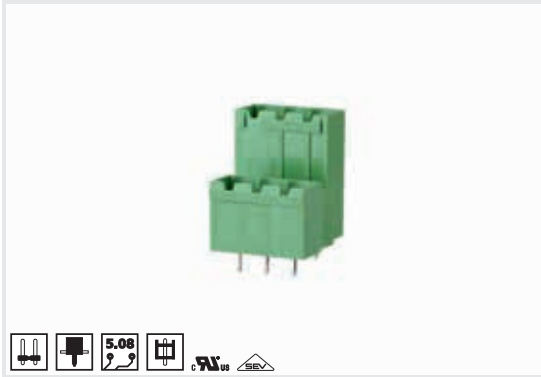
	02	03	04	05	06	07	08
09	10	11	12	13	14	15	16
17	18	19	20	21	22	23	24

(Information: page 143)

Standard pole sizes

Terminal blocks



for PT166xxVGDN	Page
 SP046xxVBNC (ASP046)	57
 RP016xxSBLC (Type 250)	119
 RP036xxHBLD (Type 214)	120



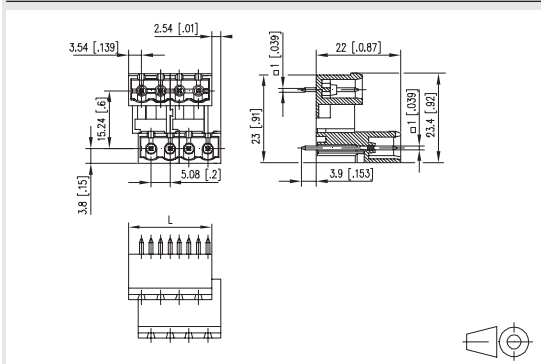
Product family Pole size Color Option
PT166xxVGDN*(Type 286)
Centerline Design Function *old product name

- pin header, solderable
- centerline 5.08 mm, direction of connection vertical 0°
- closed ends
- color green
- staggered pins, double stacked

Technical data

 UL <small>us</small> V / A	300 / 15
 13.5 A / 320 V / 4 kV / 3 IEC 61984	
Overvoltage category	III III II
Pollution degree	3 2 2
Rated voltage	320 V 800 V 800 V
Rated test voltage	4 kV 4.0 kV 4 kV
Insulating material class	CTI 600
Clearance and creepage distances	4.08 mm
Solder pin dimension	1.0 x 1.0 mm
Recommended pc board hole dia.	ø 1.5 mm
Solder pin length	3.9 mm
Protection category according to IEC 60529	IP 00
Color	green

Dimensional drawing



L = (Pole size - 1) * centerline + 7.08 mm (0.279 in.)

P/N **312861**

Complete the part number by adding the pole size.

	04	06	08	10	12	14	16
18	20	22	24	26	28	30	32
34	36	38	40	42	44	46	48

(Information: page 143)

Standard pole sizes

Terminal blocks

for PT118xxHBEC **Page**
 RP018xxVBLC (Type 262) 122

Accessories

for PT118xxHBEC **Page**
 700024 297

Terminal blocks

for PT118xxHBBC **Page**
 RP018xxVBLC (Type 262) 122

Accessories

for PT118xxHBBC **Page**
 700024 297



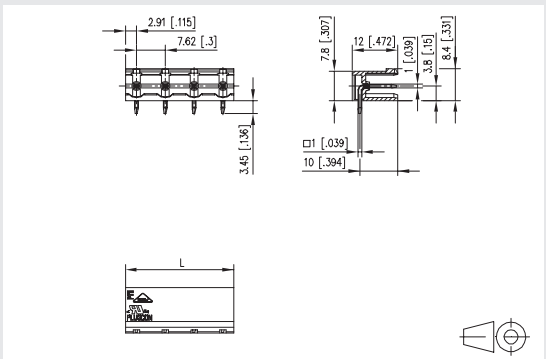
Product family Pole size Color Option
PT118xxHBEC *(Type 265)
 Centerline Design Function *old product name

- pin header, solderable
- centerline 7.62 mm, direction of connection 90°
- open ends, fittable without loss of poles
- color black
- codeable

Technical data

300 V / A / AWG	300 / 15 / 28 - 14		
13.5 A / 500 V / 6 kV / 3 IEC 61984			
Overvoltage category	III	III	II
Pollution degree	3	2	2
Rated voltage	500 V	1250 V	1250 V
Rated test voltage	6.0 kV	6.0 kV	6 kV
Insulating material class	CTI 600		
Clearance and creepage distances	6.6 mm		
Solder pin dimension	1.0 x 1.0 mm		
Recommended pc board hole dia.	ø 1.5 mm		
Solder pin length	3.45 mm		
Protection category according to IEC 60529	IP 00		
Color	black		

Dimensional drawing



L = (Pole size - 1) * centerline + 5.82 mm (0.229 in.)

P/N **312651**

Complete the part number by adding the pole size.

	02	03	04	05	06	07	08
09	10	11	12				

(Information: page 143)

Standard pole sizes



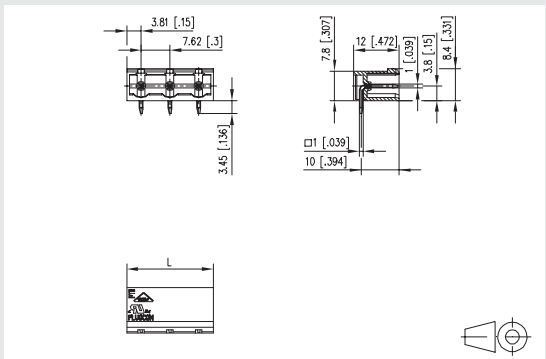
Product family Pole size Color Option
PT118xxHBBC *(Type 266)
 Centerline Design Function *old product name

- pin header, solderable
- centerline 7.62 mm, direction of connection 90°
- closed ends
- color black
- codeable

Technical data

300 V / A / AWG	300 / 15 / 28 - 14		
13.5 A / 500 V / 6 kV / 3 IEC 61984			
Overvoltage category	III	III	II
Pollution degree	3	2	2
Rated voltage	500 V	1250 V	1250 V
Rated test voltage	6.0 kV	6.0 kV	6 kV
Insulating material class	CTI 600		
Clearance and creepage distances	6.6 mm		
Solder pin dimension	1.0 x 1.0 mm		
Recommended pc board hole dia.	ø 1.5 mm		
Solder pin length	3.45 mm		
Protection category according to IEC 60529	IP 00		
Color	black		

Dimensional drawing



L = (Pole size - 1) * centerline + 7.62 mm (0.300 in.)

P/N **312661**

Complete the part number by adding the pole size.

	02	03	04	05	06	07	08
09	10	11	12				

(Information: page 143)

Standard pole sizes

Terminal blocks

for PT118xxVBEC **Page**
RP018xxVBLC (Type 262) 122

Accessories

for PT118xxVBEC **Page**
700024 297

Terminal blocks

for PT118xxVBBC **Page**
RP018xxVBLC (Type 262) 122

Accessories

for PT118xxVBBC **Page**
700024 297



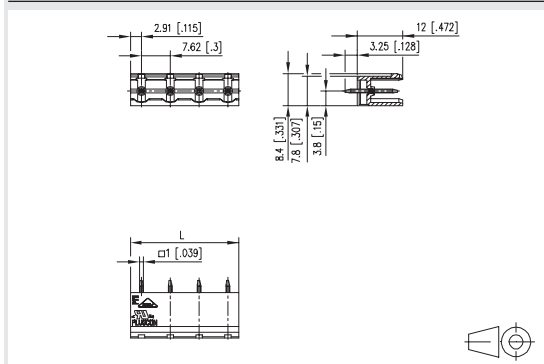
Product family Pole size Color Option
PT118xxVBEC *(Type 263)
 Centerline Design Function *old product name

- pin header, solderable
- centerline 7.62 mm, direction of connection vertical 0°
- open ends, fittable without loss of poles
- color black
- codeable

Technical data

300 V / A / AWG	300 / 15 / 28 - 14		
13.5 A / 500 V / 6 kV / 3 IEC 61984			
Overvoltage category	III	III	II
Pollution degree	3	2	2
Rated voltage	500 V	1250 V	1250 V
Rated test voltage	6.0 kV	6.0 kV	6 kV
Insulating material class	CTI 600		
Clearance and creepage distances	6.6 mm		
Solder pin dimension	1.0 x 1.0 mm		
Recommended pc board hole dia.	ø 1.5 mm		
Solder pin length	3.25 mm		
Protection category according to IEC 60529	IP 00		
Color	black		

Dimensional drawing



$L = (\text{Pole size} - 1) * \text{centerline} + 5.82 \text{ mm (0.229 in.)}$

P/N **312631**

Complete the part number by adding the pole size.

	02	03	04	05	06	07	08
09	10	11	12				

(Information: page 143)

Standard pole sizes



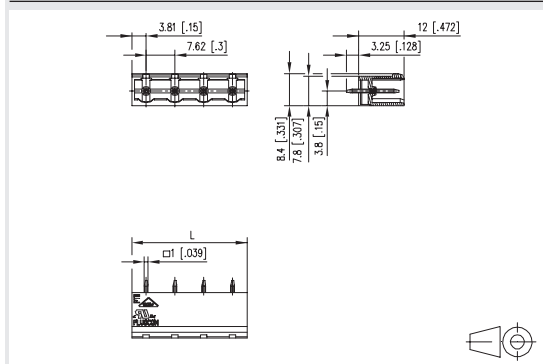
Product family Pole size Color Option
PT118xxVBBC *(Type 264)
 Centerline Design Function *old product name

- pin header, solderable
- centerline 7.62 mm, direction of connection vertical 0°
- closed ends
- color black
- codeable

Technical data

300 V / A / AWG	300 / 15 / 28 - 14		
13.5 A / 500 V / 6 kV / 3 IEC 61984			
Overvoltage category	III	III	II
Pollution degree	3	2	2
Rated voltage	500 V	1250 V	1250 V
Rated test voltage	6.0 kV	6.0 kV	6 kV
Insulating material class	CTI 600		
Clearance and creepage distances	6.6 mm		
Solder pin dimension	1.0 x 1.0 mm		
Recommended pc board hole dia.	ø 1.5 mm		
Solder pin length	3.25 mm		
Protection category according to IEC 60529	IP 00		
Color	black		

Dimensional drawing



$L = (\text{Pole size} - 1) * \text{centerline} + 7.62 \text{ mm (0.300 in.)}$

P/N **312641**

Complete the part number by adding the pole size.

	02	03	04	05	06	07	08
09	10	11	12				

(Information: page 143)

Standard pole sizes

Terminal blocks

for PT049xxHBBN Page

RP019xxWBLC (Type 049) 123



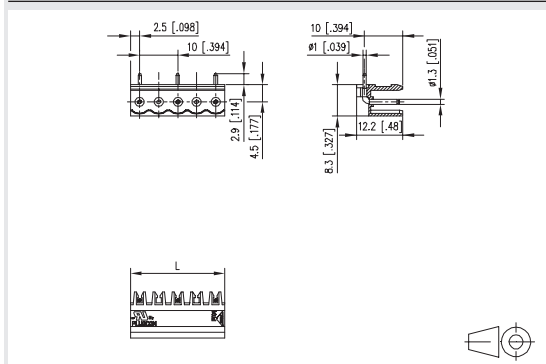
Product family Pole size Color Option
PT049xxHBVC *(Type 031)
Centerline Design Function *old product name

- pin header, solderable
- centerline 10.00 mm, direction of connection 90°
- open ends, fittable without loss of poles
- color black

Technical data

	V / A	600 / 10		
	10 A / 630 V / 6 kV / 3 IEC 61984			
Overvoltage category	III	III	II	
Pollution degree	3	2	2	
Rated voltage	630 V	1600 V	1600 V	
Rated test voltage	8.0 kV	8 kV	8.0 kV	
Insulating material class	CTI 600			
Clearance and creepage distances	8.7 mm			
Solder pin dimension	1.0 mm			
Recommended pc board hole dia.	ø 1.3 mm			
Solder pin length	2.9 mm			
Protection category according to IEC 60529	IP 00			
Color	black			

Dimensional drawing



L = (Pole size - 1) * centerline + 5 mm (0.197 in.)

P/N 310312

Complete the part number by adding the pole size.

	02	03	04	05	06	07	08
09	10	11					

(Information: page 143)

Standard pole sizes



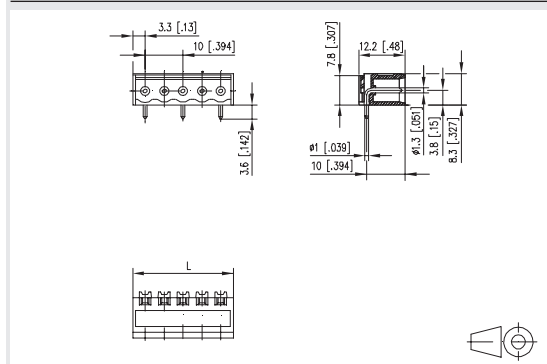
Product family Pole size Color Option
PT049xxHBBN *(Type 030)
Centerline Design Function *old product name

- pin header, solderable
- centerline 10.00 mm, direction of connection 90°
- closed ends
- color black

Technical data

	V / A	600 / 15		
	10 A / 630 V / 6 kV / 3 IEC 61984			
Overvoltage category	III	III	II	
Pollution degree	3	2	2	
Rated voltage	630 V	1600 V	1600 V	
Rated test voltage	8.0 kV	8 kV	8.0 kV	
Insulating material class	CTI 600			
Clearance and creepage distances	8.7 mm			
Solder pin dimension	1.0 mm			
Recommended pc board hole dia.	ø 1.3 mm			
Solder pin length	3.6 mm			
Protection category according to IEC 60529	IP 00			
Color	black			

Dimensional drawing



L = (Pole size - 1) * centerline + 6.6 mm (0.260 in.)

P/N 310302

Complete the part number by adding the pole size.

	02	03	04	05	06	07	08
09	10	11					

(Information: page 143)

Standard pole sizes

Terminal blocks

for PT119xxHBBF	Page
SP129xxVBNF (ASP129)	60
RP019xxVBLF (Type 351)	125

Accessories

for PT119xxHBBF	Page
700024	297

Terminal blocks

for PT069xxVBVN	Page
RP029xxlBWC (Type 007)	123



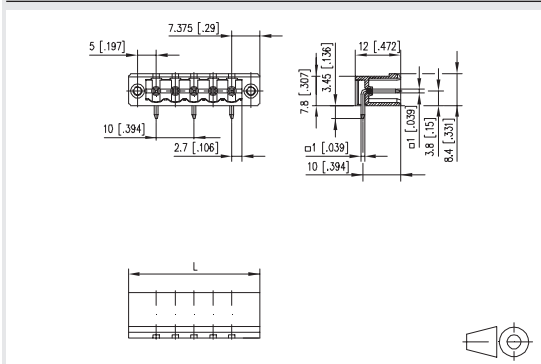
Product family	Pole size	Color	Option
PT119xxHBBF	9	xx	F
Centerline	Design	Function	*old product name

- pin header, solderable
- centerline 10.00 mm, direction of connection 90°
- closed ends
- color black, mounting flange

Technical data

us V / A	600 / 15
13.5 A / 630 V / 6 kV / 3 IEC 61984	
Overvoltage category	III III II
Pollution degree	3 2 2
Rated voltage	630 V 1600 V 1600 V
Rated test voltage	8.0 kV 8 kV 8.0 kV
Insulating material class	CTI 600
Clearance and creepage distances	9 mm
Solder pin dimension	1.0 x 1.0 mm
Recommended pc board hole dia.	ø 1.5 mm
Solder pin length	3.45 mm
Protection category according to IEC 60529	IP 00
Color	black

Dimensional drawing



L = (Pole size - 1) * centerline + 14.75 mm (0.581 in.)

P/N **313362**

Complete the part number by adding the pole size.

	02	03	04	05	06	07	08
09	10	11	12				

(Information: page 143)

Standard pole sizes



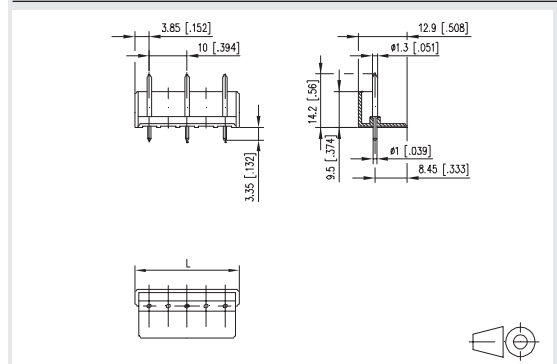
Product family	Pole size	Color	Option
PT069xxVBVN	9	xx	N
Centerline	Design	Function	*old product name

- pin header, solderable
- centerline 10.00 mm, direction of connection vertical 90°
- open ends, guiding ribs
- color black

Technical data

us V / A	600 / 15
10 A / 630 V / 6 kV / 3 IEC 61984	
Overvoltage category	III III II
Pollution degree	3 2 2
Rated voltage	630 V 1600 V 1600 V
Rated test voltage	8.0 kV 8 kV 8.0 kV
Insulating material class	CTI 600
Clearance and creepage distances	8.7 mm
Solder pin dimension	1.0 mm
Recommended pc board hole dia.	ø 1.3 mm
Solder pin length	3.35 mm
Protection category according to IEC 60529	IP 00
Color	black

Dimensional drawing



L = (Pole size - 1) * centerline + 7.7 mm (0.303 in.)

P/N **310422**

Complete the part number by adding the pole size.

	02	03	04	05	06

(Information: page 143)

Standard pole sizes

Terminal blocks

for PT049xxVBBN Page
 RP019xxWBLC (Type 049) 123

Terminal blocks

for PT119xxVBBN Page
 SP049xxVBNC (ASP049) 60
 RP039xxHBLC (Type 313) 124
 RP019xxVBLC (Type 349) 124

Accessories

for PT119xxVBBN Page
 700024 297



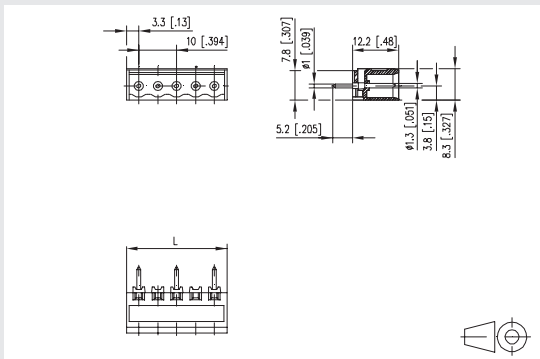
Product family	Pole size	Color	Option
PT049xxVBBN			
Centerline	Design	Function	*old product name

- pin header, solderable
- centerline 10.00 mm, direction of connection vertical 0°
- closed ends
- color black

Technical data

600 / 15			
10 A / 630 V / 6 kV / 3 IEC 61984			
Overvoltage category	III	III	II
Pollution degree	3	2	2
Rated voltage	630 V	1600 V	1600 V
Rated test voltage	8.0 kV	8 kV	8.0 kV
Insulating material class	CTI 600		
Clearance and creepage distances	8.7 mm		
Solder pin dimension	1.0 mm		
Recommended pc board hole dia.	ø 1.3 mm		
Solder pin length	5.2 mm		
Protection category according to IEC 60529	IP 00		
Color	black		

Dimensional drawing



L = (Pole size - 1) * centerline + 6.6 mm (0.260 in.)

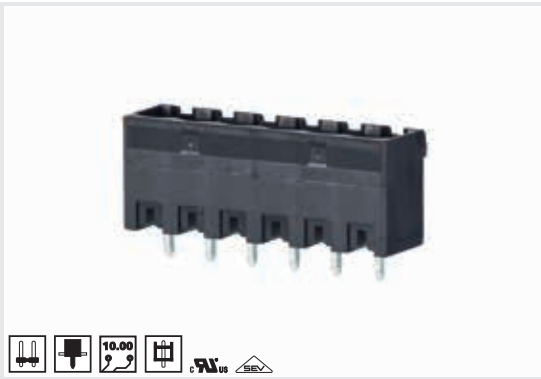
P/N **310202**

Complete the part number by adding the pole size.

	02	03	04	05	06	07	08
09	10	11					

(Information: page 143)

Standard pole sizes



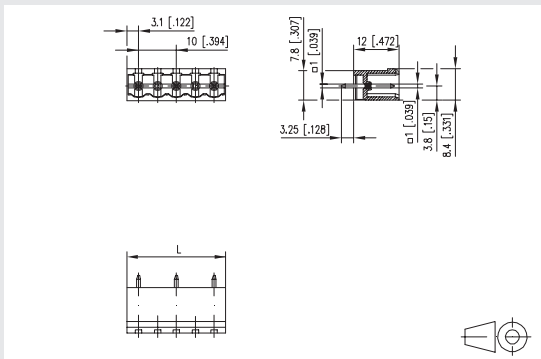
Product family	Pole size	Color	Option
PT119xxVBBN			
Centerline	Design	Function	*old product name

- pin header, solderable
- centerline 10.00 mm, direction of connection vertical 0°
- closed ends
- color black

Technical data

600 / 15			
13.5 A / 630 V / 6 kV / 3 IEC 61984			
Overvoltage category	III	III	II
Pollution degree	3	2	2
Rated voltage	630 V	1600 V	1600 V
Rated test voltage	8.0 kV	8 kV	8.0 kV
Insulating material class	CTI 600		
Clearance and creepage distances	9 mm		
Solder pin dimension	1.0 x 1.0 mm		
Recommended pc board hole dia.	ø 1.5 mm		
Solder pin length	3.25 mm		
Protection category according to IEC 60529	IP 00		
Color	black		

Dimensional drawing



L = (Pole size - 1) * centerline + 6.2 mm (0.244 in.)

P/N **313202**

Complete the part number by adding the pole size.

	02	03	04	05	06	07	08
09	10	11	12				

(Information: page 143)

Standard pole sizes

Terminal blocks

for PT119xxVBBF	Page
SP129xxVBNF (ASP129)	60
RP019xxVBLF (Type 351)	125

Accessories

for PT119xxVBBF	Page
700024	297



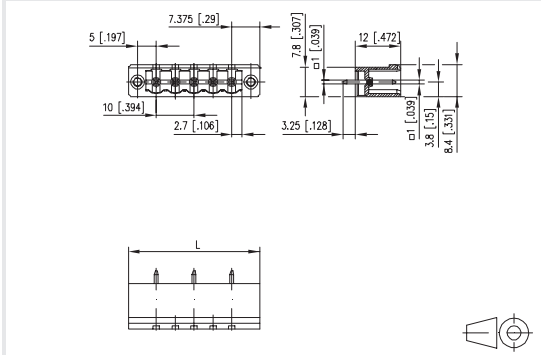
Product family	Pole size	Color	Option
PT119xxVBBF			F *(Type 335)
Centerline	Design	Function	*old product name

- pin header, solderable
- centerline 10.00 mm, direction of connection vertical 0°
- closed ends
- color black, mounting flange

Technical data

600 V / A	600 / 15
13.5 A / 630 V / 6 kV / 3 IEC 61984	
Overvoltage category	III III II
Pollution degree	3 2 2
Rated voltage	630 V 1600 V 1600 V
Rated test voltage	8.0 kV 8 kV 8.0 kV
Insulating material class	CTI 600
Clearance and creepage distances	9 mm
Solder pin dimension	1.0 x 1.0 mm
Recommended pc board hole dia.	ø 1.5 mm
Solder pin length	3.25 mm
Protection category according to IEC 60529	IP 00
Color	black

Dimensional drawing



L = (Pole size - 1) * centerline + 14.75 mm (0.581 in.)

P/N 313352

Complete the part number by adding the pole size.

	02	03	04	05	06	07	08
09	10	11	12				

(Information: page 143)

Standard pole sizes

Terminal blocks

for PT11AxxHBEC	Page
SP04AxxVBNC (ASP04A)	61
RP01AxxVBLC (Type 249)	126
RP03AxxHBLC (Type 213)	127
RP03AxxHBLD (Type 214)	127

Accessories

for PT11AxxHBE C	Page
700024	297

Terminal blocks

for PT11AxxHBBN	Page
SP04AxxVBNC (ASP04A)	61
RP01AxxVBLC (Type 249)	126
RP03AxxHBLC (Type 213)	127
RP03AxxHBLD (Type 214)	127

Accessories

for PT11AxxHBBN	Page
700024	297



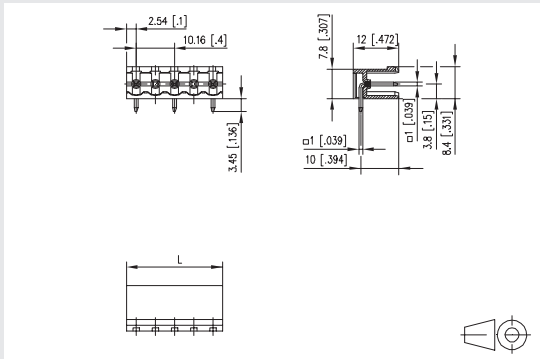
Product family	Pole size	Color	Option
PT11AxxHBEC	Axx	HBE	C
Centerline	Design	Function	*old product name

- pin header, solderable
- centerline 10.16 mm, direction of connection 90°
- open ends, fittable without loss of poles
- color black

Technical data

us V / A	600 / 15		
13.5 A / 630 V / 6 kV / 3 IEC 61984			
Overvoltage category	III	III	II
Pollution degree	3	2	2
Rated voltage	630 V	1600 V	1600 V
Rated test voltage	8.0 kV	8 kV	8.0 kV
Insulating material class	CTI 600		
Clearance and creepage distances	9.18 mm		
Solder pin dimension	1.0 x 1.0 mm		
Recommended pc board hole dia.	ø 1.5 mm		
Solder pin length	3.45 mm		
Protection category according to IEC 60529	IP 00		
Color	black		

Dimensional drawing



L = (Pole size - 1) * centerline + 5.08 mm (0.200 in.)

Complete the part number by adding the pole size.

P/N 312292

	02	03	04	05	06	07	08
09	10	11	12				

(Information: page 143)

Standard pole sizes



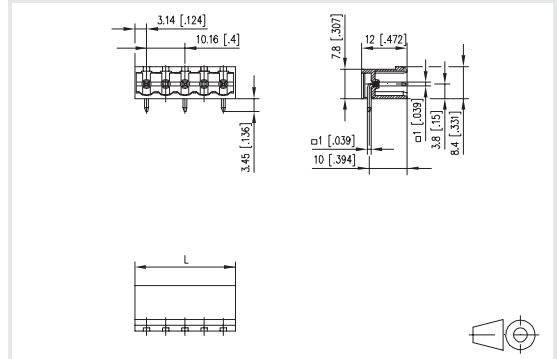
Product family	Pole size	Color	Option
PT11AxxHBBN	Axx	HBBN	*
Centerline	Design	Function	*old product name

- pin header, solderable
- centerline 10.16 mm, direction of connection 90°
- closed ends
- color black

Technical data

us V / A	600 / 15		
16 A / 630 V / 6 kV / 3 IEC 61984			
Overvoltage category	III	III	II
Pollution degree	3	2	2
Rated voltage	630 V	1600 V	1600 V
Rated test voltage	8.0 kV	8 kV	8.0 kV
Insulating material class	CTI 600		
Clearance and creepage distances	9.18 mm		
Solder pin dimension	1.0 x 1.0 mm		
Recommended pc board hole dia.	ø 1.5 mm		
Solder pin length	3.45 mm		
Protection category according to IEC 60529	IP 00		
Color	black		

Dimensional drawing



L = (Pole size - 1) * centerline + 6.28 mm (0.247 in.)

Complete the part number by adding the pole size.

P/N 312302

	02	03	04	05	06	07	08
09	10	11	12				

(Information: page 143)

Standard pole sizes

Terminal blocks

for PT11AxxHBBF	Page
RP01AxxVBLF (Type 251)	126
RP03AxxHBLF (Type 217)	128
RP03AxxHBL (Type 218)	128

Terminal blocks

for PT11AxxVBEC	Page
SP04AxxVBNC (ASP04A)	61
RP03AxxHBL (Type 213)	127
RP03AxxHBLD (Type 214)	127

Accessories

for PT11AxxVBEC	Page
700024	297



Product family Pole size Color Option

PT11AxxHBBF *(Type 236)

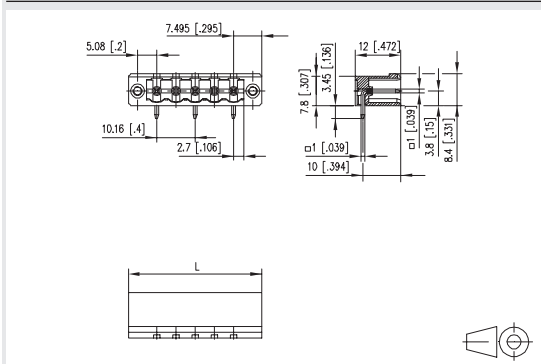
Centerline Design Function *old product name

- pin header, solderable
- centerline 10.16 mm, direction of connection 90°
- closed ends
- color black, mounting flange

Technical data

600 V / A	600 / 15
13.5 A / 630 V / 6 kV / 3 IEC 61984	
Overvoltage category	III III II
Pollution degree	3 2 2
Rated voltage	630 V 1600 V 1600 V
Rated test voltage	8.0 kV 8 kV 8.0 kV
Insulating material class	CTI 600
Clearance and creepage distances	9.18 mm
Solder pin dimension	1.0 x 1.0 mm
Recommended pc board hole dia.	ø 1.5 mm
Solder pin length	3.45 mm
Protection category according to IEC 60529	IP 00
Color	black

Dimensional drawing



L = (Pole size - 1) * centerline + 14.99 mm (0.590 in.)

P/N **312362**

Complete the part number by adding the pole size.

	02	03	04	05	06	07	08
09	10	11	12				

(Information: page 143)



Product family Pole size Color Option

PT11AxxVBEC *(Type 219)

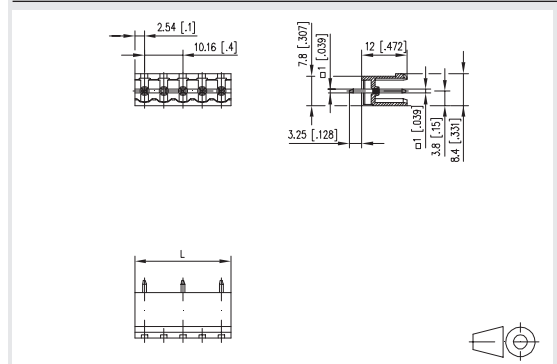
Centerline Design Function *old product name

- pin header, solderable
- centerline 10.16 mm, direction of connection vertical 0°
- open ends, fittable without loss of poles
- color black

Technical data

600 V / A	600 / 15
13.5 A / 630 V / 6 kV / 3 IEC 61984	
Overvoltage category	III III II
Pollution degree	3 2 2
Rated voltage	630 V 1600 V 1600 V
Rated test voltage	8.0 kV 8 kV 8.0 kV
Insulating material class	CTI 600
Clearance and creepage distances	9.18 mm
Solder pin dimension	1.0 x 1.0 mm
Recommended pc board hole dia.	ø 1.5 mm
Solder pin length	3.25 mm
Protection category according to IEC 60529	IP 00
Color	black

Dimensional drawing



L = (Pole size - 1) * centerline + 5.08 mm (0.200 in.)

P/N **312192**

Complete the part number by adding the pole size.

	02	03	04	05	06	07	08
09	10	11	12				

(Information: page 143)

Terminal blocks

for PT11AxxVBBN	Page
SP04AxxVBNC (ASP04A)	61
RP03AxxHBLC (Type 213)	127
RP03AxxHBLD (Type 214)	127

Accessories

for PT11AxxVBBN	Page
700024	297

Terminal blocks

for PT11AxxVBBF	Page
RP01AxxVBLF (Type 251)	126
RP03AxxHBLF (Type 217)	128
RP03AxxHBLS (Type 218)	128

Accessories

for PT11AxxVBBF	Page
700024	297



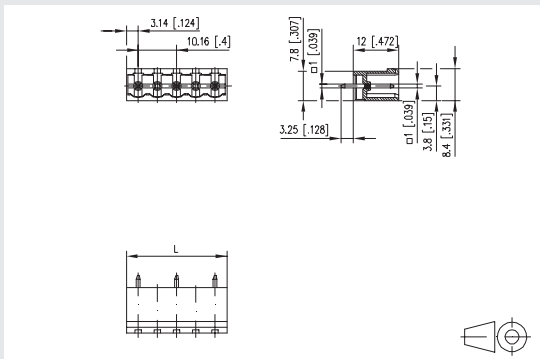
Product family	Pole size	Color	Option
PT11AxxVBBN *(Type 220)			
Centerline	Design	Function	*old product name

- pin header, solderable
- centerline 10.16 mm, direction of connection vertical 0°
- closed ends
- color black

Technical data

V / A	600 / 15		
13.5 A / 630 V / 6 kV / 3 IEC 61984			
Overvoltage category	III	III	II
Pollution degree	3	2	2
Rated voltage	630 V	1600 V	1600 V
Rated test voltage	8.0 kV	8 kV	8.0 kV
Insulating material class	CTI 600		
Clearance and creepage distances	9.18 mm		
Solder pin dimension	1.0 x 1.0 mm		
Recommended pc board hole dia.	ø 1.5 mm		
Solder pin length	3.25 mm		
Protection category according to IEC 60529	IP 00		
Color	black		

Dimensional drawing



$L = (\text{Pole size} - 1) \times \text{centerline} + 6.28 \text{ mm (0.247 in.)}$

Complete the part number by adding the pole size.

P/N 312202

	02	03	04	05	06	07	08
09	10	11	12				

(Information: page 143)

Standard pole sizes



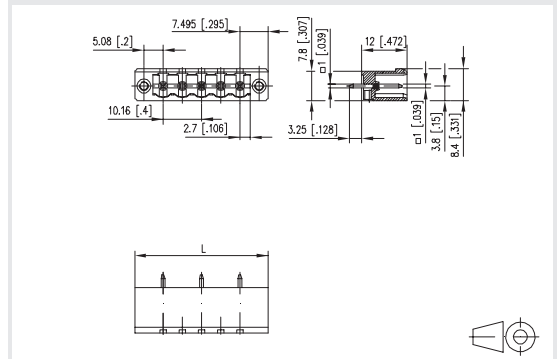
Product family	Pole size	Color	Option
PT11AxxVBBF *(Type 235)			
Centerline	Design	Function	*old product name

- pin header, solderable
- centerline 10.16 mm, direction of connection vertical 0°
- closed ends
- color black, mounting flange

Technical data

V / A	600 / 15		
13.5 A / 630 V / 6 kV / 3 IEC 61984			
Overvoltage category	III	III	II
Pollution degree	3	2	2
Rated voltage	630 V	1600 V	1600 V
Rated test voltage	8.0 kV	8 kV	8.0 kV
Insulating material class	CTI 600		
Clearance and creepage distances	9.18 mm		
Solder pin dimension	1.0 x 1.0 mm		
Recommended pc board hole dia.	ø 1.5 mm		
Solder pin length	3.25 mm		
Protection category according to IEC 60529	IP 00		
Color	black		

Dimensional drawing



$L = (\text{Pole size} - 1) \times \text{centerline} + 14.99 \text{ mm (0.590 in.)}$

Complete the part number by adding the pole size.

P/N 312352






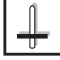




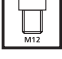















	02	03	04	05	06	07	08
09	10	11	12				

(Information: page 143)

Standard pole sizes

Symbol Definition

Guiding icons

	Spring clamp terminal block		Wire protector
	IDC terminal block		modular
	Screw type terminal block		Pin header for vertical mounting
	Pin header		Shrouded pin header for vertical mounting
	Female connector		Pin header with open ends for vertical mounting
	Ethernet M12		Pin header with closed ends for vertical mounting
	solderable		Pin header for horizontal mounting
	pluggable		Shrouded pin header for horizontal mounting
	Centerline		Pin header with open ends for horizontal mounting
	Wire entry 90°		Pin header with closed ends for horizontal mounting
	Diagonal wire entry		designed for THR
	Wire entry 0°		designed for SMT
	Lift system		Tape & Reel possible

Pin Headers

for FW143xxVBFC Page

PW063xxHBEC (Type 527) 147

PW063xxHBBN (Type 523) 148

PW063xxVBEC (Type 528) 152

PW063xxVBBN (Type 524) 152

Pin Headers

for FT143xxVBFC Page

PR043xxHBBN (Type 188) 146

PT093xxHBBN (Type 342) 149

PR043xxVBBN (Type 189) 151

PT093xxVBBN (Type 343) 154



Product family Pole size Color Option

FW143xxVBFC

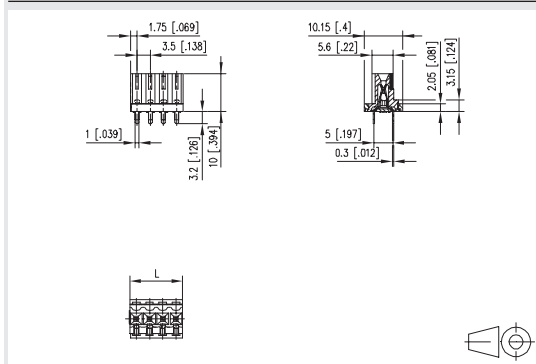
Centerline Design Function

- female connector, solderable
- centerline 3.50 mm, direction of connection vertical 0°
- fittable without loss of poles
- color black

Technical data

V / A	300 / 10		
10 A / 130 V / 2.5 kV / 3 IEC 61984			
Overvoltage category	III	III	II
Pollution degree	3	2	2
Rated voltage	200 V	500 V	500 V
Rated test voltage	2.5 kV	2.5 kV	2.5 kV
Insulating material class	CTI 600		
Clearance and creepage distances	2.5 mm		
Solder pin dimension	0.4 x 1.0 mm		
Recommended pc board hole dia.	ø 1.2 mm		
Solder pin length	3.2 mm		
Protection category according to IEC 60529	IP 20		
Color	black		

Dimensional drawing



L = (Pole size - 1) * centerline + 3.5 mm (0.138 in.)

P/N **FW143** **VBFC**

	02	03	04	05	06	07	08
09	10	11	12	13	14	15	16
17	18	19	20	21			

(Information: page 143)

Standard pole sizes



Product family Pole size Color Option

FT143xxVBFC * (Type 089)

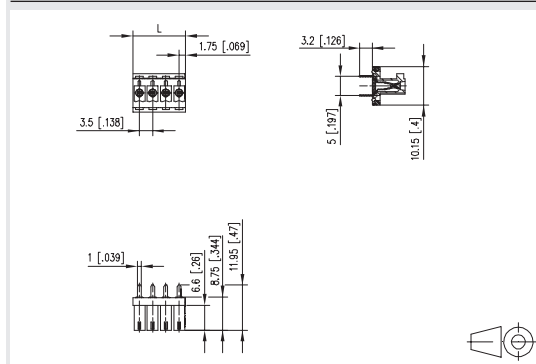
Centerline Design Function *old product name

- female connector, solderable, double solder pins
- centerline 3.50 mm, direction of connection vertical 0°
- fittable without loss of poles
- color black
- board-to-board connection with headers centerline 3.50 mm / 0.138 inches possible

Technical data

V / A	300 / 10		
10 A / 130 V / 2.5 kV / 3 IEC 61984			
Overvoltage category	III	III	II
Pollution degree	3	2	2
Rated voltage	200 V	500 V	500 V
Rated test voltage	2.5 kV	2.5 kV	2.5 kV
Insulating material class	CTI 600		
Clearance and creepage distances	2.5 mm		
Solder pin dimension	2 x 0.4 x 1.0 mm		
Recommended pc board hole dia.	ø 1.2 mm		
Solder pin length	3.2 mm		
Protection category according to IEC 60529	IP 20		
Color	black		

Dimensional drawing



L = (Pole size - 1) * centerline + 3.5 mm (0.138 in.)







P/N **310891**

	02	03	04				

(Information: page 143)

Standard pole sizes

Pin Headers


for FT085xxVBFC	Page
 PT045xxHBEC (Type 029)	161
 PT045xxHBBN (Type 030)	162
 PT045xxHBVC (Type 031)	162
 PT055xxHBHC (Type 039)	163
 PR015xxVBHC (Type 017)	166
 PR015xxVBVC (Type 027)	166
 PT045xxVBEC (Type 019)	171
 PT045xxVBBN (Type 020)	171



Product family Pole size Color Option
FT085xxVBFC *(Type 026)
Centerline Design Function *old product name

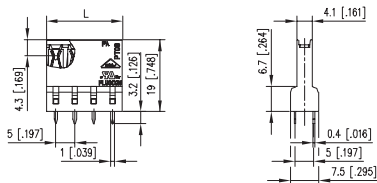
- female connector, solderable, double solder pins
- centerline 5.00 mm, direction of connection vertical 0°
- fittable without loss of poles
- color black
- board-to-board connection with headers centerline 5.00 mm / 0.197 inches possible

Technical data

 6 A / 250 V / 4 kV / 3 IEC 61984

Overvoltage category	III	III	II
Pollution degree	3	2	2
Rated voltage	320 V	800 V	800 V
Rated test voltage	4 kV	4.0 kV	4 kV
Insulating material class	CTI 600		
Clearance and creepage distances	4 mm		
Solder pin dimension	2 x 0.4 x 1.0 mm		
Recommended pc board hole dia.	ø 1.4 mm		
Solder pin length	3.2 mm		
Protection category according to IEC 60529	IP 20		
Min. insul. strip length	12 mm		
Color	black		

Dimensional drawing



L = (Pole size - 1) * centerline + 5 mm (0.197 in.)

P/N

310261

Complete the part number by adding the pole size.

	02	03	04	05	06	07	08
09	10	11	12	13	14	15	16

(Information: page 143)

 **Standard pole sizes**

Board-to-board connectors



























1	Overview Board-to-board connectors	200
2	Pin headers	203
3	Female connectors	215

Board-to-board connectors



Symbol Definition

Guiding icons

	Spring clamp terminal block		Wire protector
	IDC terminal block		modular
	Screw type terminal block		Pin header for vertical mounting
	Pin header		Shrouded pin header for vertical mounting
	Female connector		Pin header with open ends for vertical mounting
	Ethernet M12		Pin header with closed ends for vertical mounting
	solderable		Pin header for horizontal mounting
	pluggable		Shrouded pin header for horizontal mounting
	Centerline		Pin header with open ends for horizontal mounting
	Wire entry 90°		Pin header with closed ends for horizontal mounting
	Diagonal wire entry		designed for THR
	Wire entry 0°		designed for SMT
	Lift system		Tape & Reel possible

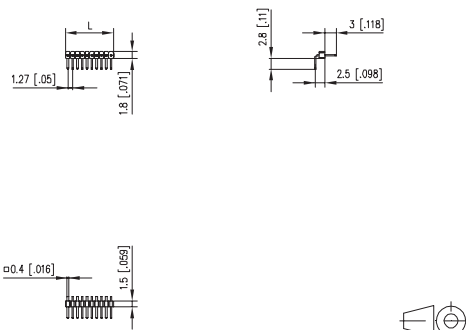


Product family Pole size Color Option
PR20BxxHBNN
 Centerline Design Function

- pin header, THR solderable
- centerline 1.27 mm, direction of connection 90°
- color black
- single row

Rated current 1 A
 Solder pin dimension 0.4 x 0.4 mm
 Recommended pc board hole dia. ø 0.65 mm
 Protection category according to IEC 60529 IP 00
 Color black

Dimensional drawing



$L = (\text{Pole size} - 1) * \text{centerline} + 1.27 \text{ mm (0.050 in.)}$

P/N Complete the part number by adding the pole size.

PR20B	<input type="text"/>	HBNN		02	03	04	05	06	07	08
			09	10	11	12	13	14	15	16
			17	18	19	...	40			

(Information: page 201)

Standard pole sizes

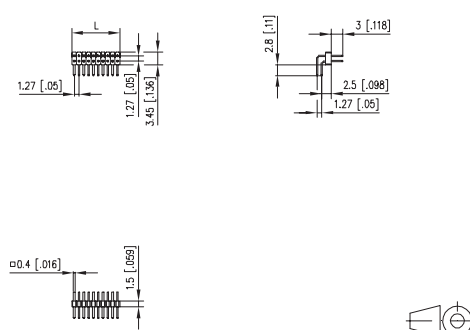


Product family Pole size Color Option
PR20BxxHBDN
 Centerline Design Function

- pin header, THR solderable
- centerline 1.27 mm, direction of connection 90°
- color black
- dual rows

Rated current 1 A
 Solder pin dimension 0.4 x 0.4 mm
 Recommended pc board hole dia. ø 0.65 mm
 Protection category according to IEC 60529 IP 00
 Color black

Dimensional drawing



$L = (\text{Pole size} - 1) * \text{centerline} + 1.27 \text{ mm (0.050 in.)}$

P/N Complete the part number by adding the pole size.

PR20B	<input type="text"/>	HBDN		02	03	04	05	06	07	08
			09	10	11	12	13	14	15	16
			17	18	19	...	40			

(Information: page 201)

Standard pole sizes

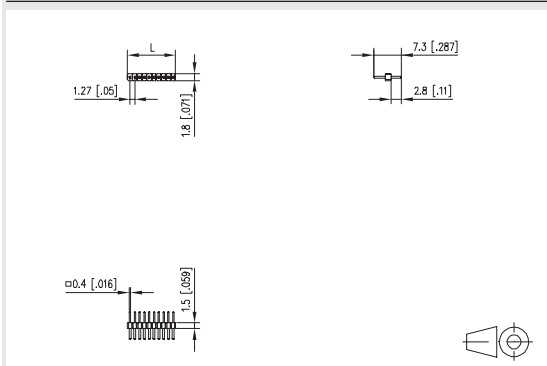


Product family Pole size Color Option
PR20BxxVBNN
Centerline Design Function

- pin header, THR solderable
- centerline 1.27 mm, direction of connection vertical 0°
- color black
- single row

Rated current 1 A
 Solder pin dimension 0.4 x 0.4 mm
 Recommended pc board hole dia. ø 0.65 mm
 Protection category according to IEC 60529 IP 00
 Color black

Dimensional drawing



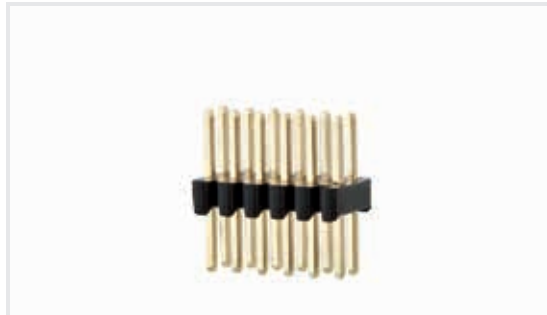
$L = (\text{Pole size} - 1) * \text{centerline} + 1.27 \text{ mm (0.050 in.)}$

P/N Complete the part number by adding the pole size.

PR20B	<input type="text"/>	VBNN		02	03	04	05	06	07	08
			09	10	11	12	13	14	15	16
			17	18	19	...	40			

(Information: page 201)

Standard pole sizes

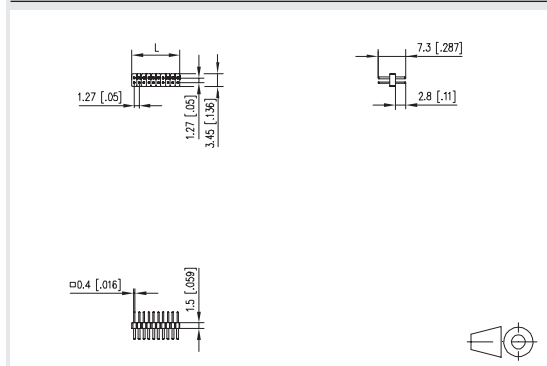


Product family Pole size Color Option
PR20BxxVBDN
Centerline Design Function

- pin header, THR solderable
- centerline 1.27 mm, direction of connection vertical 0°
- color black
- dual rows

Rated current 1 A
 Solder pin dimension 0.4 x 0.4 mm
 Recommended pc board hole dia. ø 0.65 mm
 Protection category according to IEC 60529 IP 00
 Color black

Dimensional drawing



$L = (\text{Pole size} - 1) * \text{centerline} + 1.27 \text{ mm (0.050 in.)}$

P/N Complete the part number by adding the pole size.

PR20B	<input type="text"/>	VBDN		02	03	04	05	06	07	08
			09	10	11	12	13	14	15	16
			17	18	19	...	40			

(Information: page 201)

Standard pole sizes

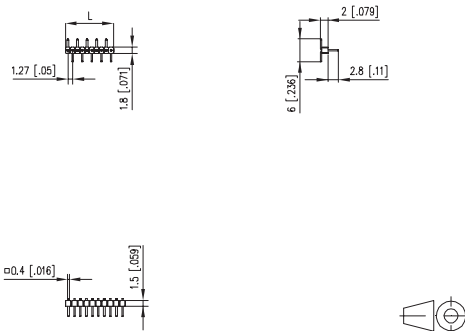


Product family Pole size Color Option
PM20BxxVBNN
 Centerline Design Function

- pin header, SMT solderable
- centerline 1.27 mm, direction of connection vertical 0°
- color black
- single row

Rated current 1 A
 Solder pin dimension 0.4 x 0.4 mm
 Protection category according to IEC 60529 IP 00
 Color black

Dimensional drawing



$L = (\text{Pole size} - 1) \times \text{centerline} + 1.27 \text{ mm (0.050 in.)}$

P/N

PM20B VBNN

Complete the part number by adding the pole size.

	02	03	04	05	06	07	08
09	10	11	12	13	14	15	16
17	18	19	...	40			

(Information: page 201)

Standard pole sizes

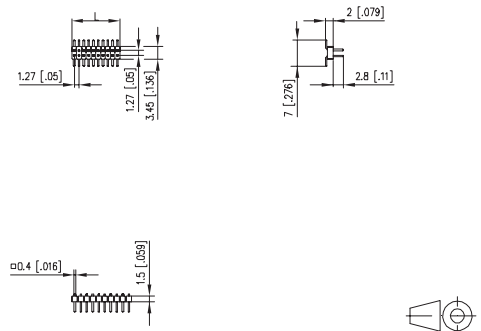


Product family Pole size Color Option
PM20BxxVBDN
 Centerline Design Function

- pin header, SMT solderable
- centerline 1.27 mm, direction of connection vertical 0°
- color black
- dual rows

Rated current 1 A
 Solder pin dimension 0.4 x 0.4 mm
 Protection category according to IEC 60529 IP 00
 Color black

Dimensional drawing



$L = (\text{Pole size} - 1) \times \text{centerline} + 1.27 \text{ mm (0.050 in.)}$

P/N

PM20B VBDN

Complete the part number by adding the pole size.

	02	03	04	05	06	07	08
09	10	11	12	13	14	15	16
17	18	19	...	40			

(Information: page 201)

Standard pole sizes

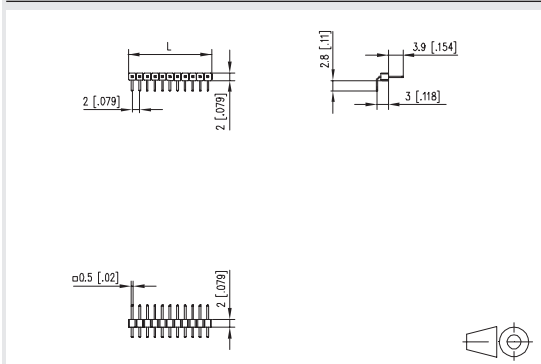


Product family	Pole size	Color	Option	
PR20C	xx	H	BNN	
Centerline	Design	Function		

- pin header, THR solderable
- centerline 2.00 mm, direction of connection 90°
- color black
- Tape & Reel packaging
- single row

Rated current	1 A
Solder pin dimension	0.5 x 0.5 mm
Recommended pc board hole dia.	ø 0.80 mm
Protection category according to IEC 60529	IP 00
Color	black

Dimensional drawing



$L = (\text{Pole size} - 1) \cdot \text{centerline} + 2.0 \text{ mm (0.079 in.)}$

P/N **PR20C** **HBNN**

Complete the part number by adding the pole size.

	02	03	04	05	06	07	08
09	10	11	12	13	14	15	16
17	18	19	...	40			

(Information: page 201)

Standard pole sizes

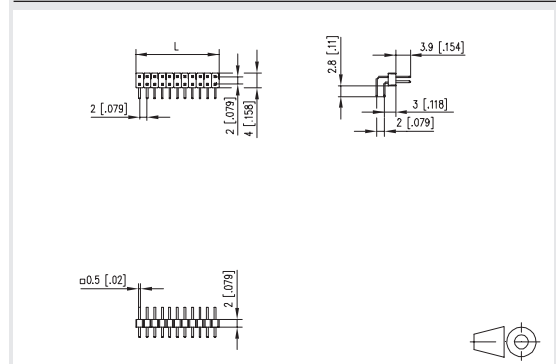


Product family	Pole size	Color	Option	
PR20C	xx	H	BDN	
Centerline	Design	Function		

- pin header, THR solderable
- centerline 2.00 mm, direction of connection 90°
- color black
- Tape & Reel packaging
- dual rows

Rated current	1 A
Solder pin dimension	0.5 x 0.5 mm
Recommended pc board hole dia.	ø 0.80 mm
Protection category according to IEC 60529	IP 00
Color	black

Dimensional drawing



$L = (\text{Pole size} - 1) \cdot \text{centerline} + 2.0 \text{ mm (0.079 in.)}$

P/N **PR20C** **HBDN**

Complete the part number by adding the pole size.

	02	03	04	05	06	07	08
09	10	11	12	13	14	15	16
17	18	19	...	40			

(Information: page 201)

Standard pole sizes

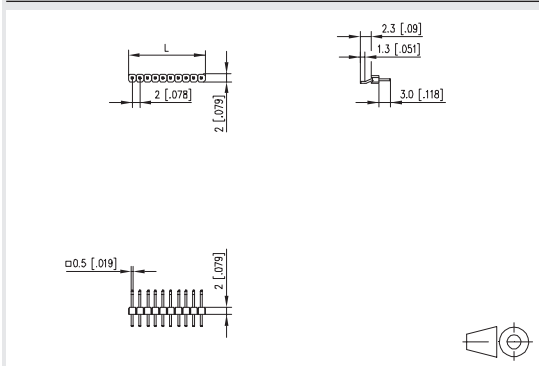


Product family Pole size Color Option
PM20CxxHBNN
Centerline Design Function

- pin header, SMT solderable
- centerline 2.00 mm, direction of connection 90°
- color black
- single row

Rated current 1 A
 Solder pin dimension 0.5 x 0.5 mm
 Protection category according to IEC 60529 IP 00
 Color black

Dimensional drawing



$L = (\text{Pole size} - 1) * \text{centerline} + 2.0 \text{ mm (0.079 in.)}$

P/N

PM20C HBNN

Complete the part number by adding the pole size.

	02	03	04	05	06	07	08
09	10	11	12	13	14	15	16
17	18	19	...	40			

(Information: page 201)

Standard pole sizes

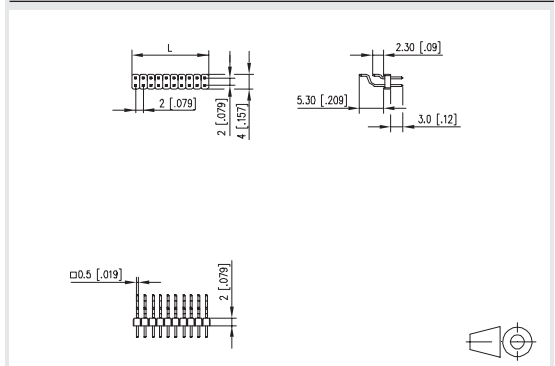


Product family Pole size Color Option
PM20CxxHBDN
Centerline Design Function

- pin header, SMT solderable
- centerline 2.00 mm, direction of connection 90°
- color black
- dual rows

Rated current 1 A
 Solder pin dimension 0.5 x 0.5 mm
 Protection category according to IEC 60529 IP 00
 Color black

Dimensional drawing



$L = (\text{Pole size} - 1) * \text{centerline} + 2.0 \text{ mm (0.079 in.)}$

P/N

PM20C HBDN

Complete the part number by adding the pole size.

	02	03	04	05	06	07	08
09	10	11	12	13	14	15	16
17	18	19	...	40			

(Information: page 201)

Standard pole sizes

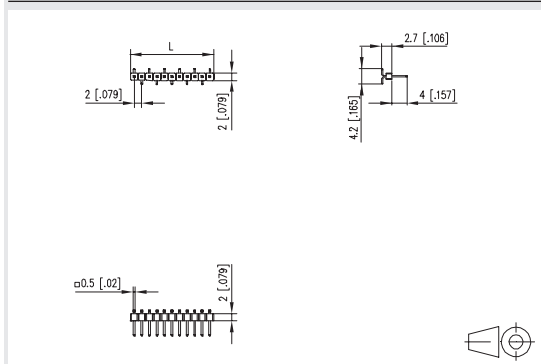


Product family Pole size Color Option
PM20CxxVBNN
 Centerline Design Function

- pin header, SMT solderable
- centerline 2.00 mm, direction of connection vertical 0°
- color black
- Tape & Reel packaging
- single row

Rated current 1 A
 Solder pin dimension 0.5 x 0.5 mm
 Color black

Dimensional drawing



L = (Pole size - 1) * centerline + 2.0 mm (0.079 in.)

P/N

PM20C VBNN

Complete the part number by adding the pole size.

	02	03	04	05	06	07	08
09	10	11	12	13	14	15	16
17	18	19	...	40			

(Information: page 201)

Standard pole sizes

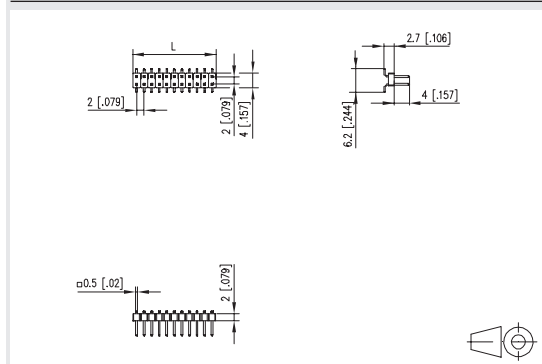


Product family Pole size Color Option
PM20CxxVBDN
 Centerline Design Function

- pin header, SMT solderable
- centerline 2.00 mm, direction of connection vertical 0°
- color black
- Tape & Reel packaging
- dual rows

Rated current 1 A
 Solder pin dimension 0.5 x 0.5 mm
 Color black

Dimensional drawing



L = (Pole size - 1) * centerline + 2.0 mm (0.079 in.)

P/N

PM20C VBDN

Complete the part number by adding the pole size.

	02	03	04	05	06	07	08
09	10	11	12	13	14	15	16
17	18	19	...	40			

(Information: page 201)

Standard pole sizes

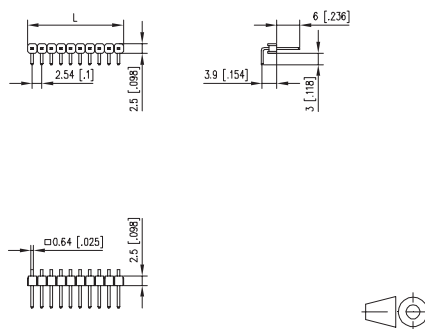


Product family Pole size Color Option
PR202xxHBNN
 Centerline Design Function

- pin header, THR solderable
- centerline 2.54 mm, direction of connection 90°
- color black
- single row

Rated current	3 A
Solder pin dimension	0.64 x 0.64 mm
Recommended pc board hole dia.	ø 1.02 mm
Solder pin length	3.00 mm
Protection category according to IEC 60529	IP 00
Color	black

Dimensional drawing



$L = (\text{Pole size} - 1) \times \text{centerline} + 2.19 \text{ mm (0.086 in.)}$

P/N Complete the part number by adding the pole size.

PR202	<input type="text"/>	HBNN		<input type="text"/>	02	03	04	05	06	07	08
			09	10	11	12	13	14	15	16	
			17	18	19	...	40				

(Information: page 201)

Standard pole sizes

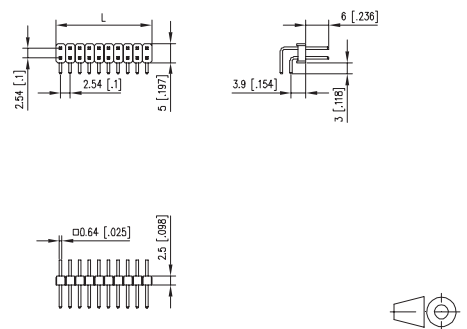


Product family Pole size Color Option
PR202xxHBDN
 Centerline Design Function

- pin header, THR solderable
- centerline 2.54 mm, direction of connection 90°
- color black
- dual rows

Rated current	3 A
Solder pin dimension	0.64 x 0.64 mm
Recommended pc board hole dia.	ø 1.02 mm
Solder pin length	3.00 mm
Protection category according to IEC 60529	IP 00
Color	black

Dimensional drawing



$L = (\text{Pole size} - 1) \times \text{centerline} + 2.54 \text{ mm (0.100 in.)}$

P/N Complete the part number by adding the pole size.

PR202	<input type="text"/>	HBDN		<input type="text"/>	02	03	04	05	06	07	08
			09	10	11	12	13	14	15	16	
			17	18	19	...	40				

(Information: page 201)

Standard pole sizes

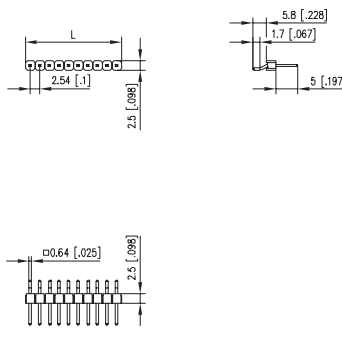


Product family Pole size Color Option
PM202xxHBNN
 Centerline Design Function

- pin header, SMT solderable
- centerline 2.54 mm, direction of connection 90°
- color black
- Tape & Reel packaging
- single row

Rated current 3 A
 Solder pin dimension 0.64 x 0.64 mm
 Color black

Dimensional drawing



$L = (\text{Pole size} - 1) * \text{centerline} + 2.54 \text{ mm (0.100 in.)}$

P/N

PM202 HBNN

Complete the part number by adding the pole size.

	02	03	04	05	06	07	08
09	10	11	12	13	14	15	16
17	18	19	...	40			

(Information: page 201)

Standard pole sizes

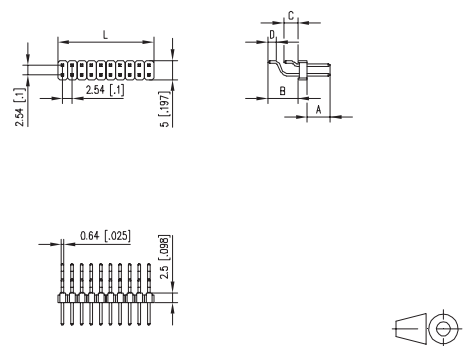


Product family Pole size Color Option
PM202xxHBDN
 Centerline Design Function

- pin header, SMT solderable
- centerline 2.54 mm, direction of connection 90°
- color black
- Tape & Reel packaging
- dual rows

Rated current 3 A
 Solder pin dimension 0.64 x 0.64 mm
 Color black

Dimensional drawing



$L = (\text{Pole size} - 1) * \text{centerline} + 2.54 \text{ mm (0.100 in.)}$

P/N

PM202 HBDN

Complete the part number by adding the pole size.

	02	03	04	05	06	07	08
09	10	11	12	13	14	15	16
17	18	19	...	40			

(Information: page 201)

Standard pole sizes

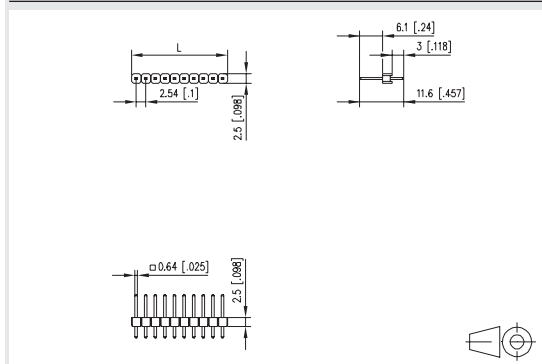


Product family Pole size Color Option
PR202xxVBNN
Centerline Design Function

- pin header, THR solderable
- centerline 2.54 mm, direction of connection vertical 0°
- color black
- single row

Rated current	3 A
Solder pin dimension	0.64 x 0.64 mm
Recommended pc board hole dia.	ø 1.02 mm
Solder pin length	3.0 mm
Protection category according to IEC 60529	IP 00
Color	black

Dimensional drawing



$L = (\text{Pole size} - 1) * \text{centerline} + 2.54 \text{ mm (0.100 in.)}$

P/N

PR202 VBNN

Complete the part number by adding the pole size.

	02	03	04	05	06	07	08
09	10	11	12	13	14	15	16
17	18	19	...	40			

(Information: page 201)

Standard pole sizes

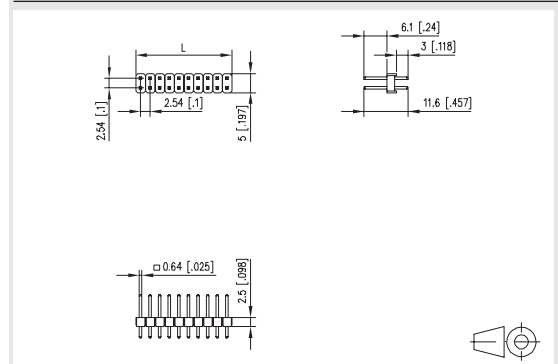


Product family Pole size Color Option
PR202xxVBDN
Centerline Design Function

- pin header, THR solderable
- centerline 2.54 mm, direction of connection vertical 0°
- color black
- dual rows

Rated current	3 A
Solder pin dimension	0.64 x 0.64 mm
Recommended pc board hole dia.	ø 1.02 mm
Solder pin length	3.00 mm
Protection category according to IEC 60529	IP 00
Color	black

Dimensional drawing



$L = (\text{Pole size} - 1) * \text{centerline} + 2.54 \text{ mm (0.100 in.)}$

P/N

PR202 VBDN

Complete the part number by adding the pole size.

	02	03	04	05	06	07	08
09	10	11	12	13	14	15	16
17	18	19	...	40			

(Information: page 201)

Standard pole sizes

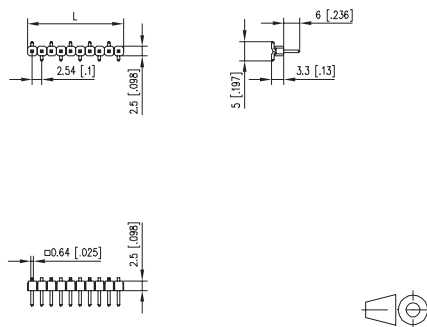


Product family Pole size Color Option
PM202xxVBNN
 Centerline Design Function

- pin header, SMT solderable
- centerline 2.54 mm, direction of connection vertical 0°
- color black
- Tape & Reel packaging
- single row

Rated current 3 A
 Solder pin dimension 0.64 x 0.64 mm
 Color black

Dimensional drawing



$L = (\text{Pole size} - 1) * \text{centerline} + 2.54 \text{ mm (0.100 in.)}$

P/N Complete the part number by adding the pole size.

PM202	<input type="text"/>	VBNN	02	03	04	05	06	07	08
			09	10	11	12	13	14	15
			17	18	19	...	40		

(Information: page 201)

Standard pole sizes

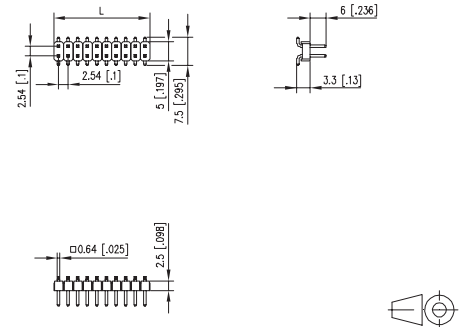


Product family Pole size Color Option
PM202xxVBDN
 Centerline Design Function

- pin header, SMT solderable
- centerline 2.54 mm, direction of connection vertical 0°
- color black
- Tape & Reel packaging
- dual rows

Rated current 3 A
 Solder pin dimension 0.64 x 0.64 mm
 Color black

Dimensional drawing



$L = (\text{Pole size} - 1) * \text{centerline} + 2.54 \text{ mm (0.100 in.)}$

P/N Complete the part number by adding the pole size.











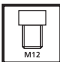















PM202	<input type="text"/>	VBDN	02	03	04	05	06	07	08
			09	10	11	12	13	14	15
			17	18	19	...	40		

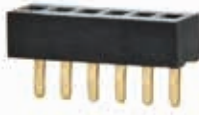
(Information: page 201)

Standard pole sizes

Symbol Definition

Guiding icons

	Spring clamp terminal block		Wire protector
	IDC terminal block		modular
	Screw type terminal block		Pin header for vertical mounting
	Pin header		Shrouded pin header for vertical mounting
	Female connector		Pin header with open ends for vertical mounting
	Ethernet M12		Pin header with closed ends for vertical mounting
	solderable		Pin header for horizontal mounting
	pluggable		Shrouded pin header for horizontal mounting
	Centerline		Pin header with open ends for horizontal mounting
	Wire entry 90°		Pin header with closed ends for horizontal mounting
	Diagonal wire entry		designed for THR
	Wire entry 0°		designed for SMT
	Lift system		Tape & Reel possible

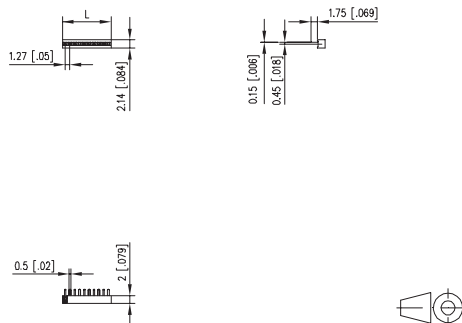


Product family Pole size Color Option
FR20BxxVBNN
 Centerline Design Function

- female connector, THR solderable
- centerline 1.27 mm, direction of connection vertical 0°
- closed ends
- color black
- Tape & Reel packaging
- single row

Rated current	1 A
Solder pin dimension	0.5 x 0.15 mm
Recommended pc board hole dia.	ø 0.6 mm
Solder pin length	1.75 mm
Protection category according to IEC 60529	IP 00
Color	black

Dimensional drawing



$L = (\text{Pole size} - 1) * \text{centerline} + 1.65 \text{ mm (0.065 in.)}$

P/N

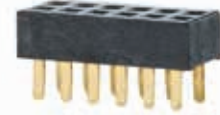
FR20B VBNN

Complete the part number by adding the pole size.

	02	03	04	05	06	07	08
09	10	11	12	13	14	15	16
17	18	19	..	40			

(Information: page 201)

Standard pole sizes

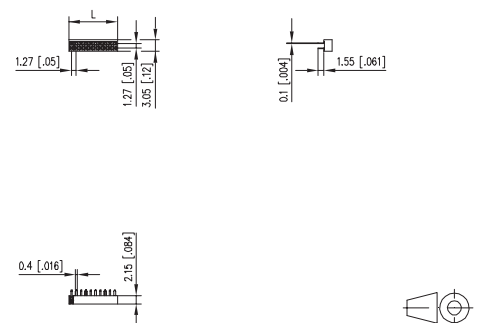


Product family Pole size Color Option
FR20BxxVBDN
 Centerline Design Function

- female connector, THR solderable
- centerline 1.27 mm, direction of connection vertical 0°
- closed ends
- color black
- Tape & Reel packaging
- dual rows

Rated current	1 A
Solder pin dimension	0.5 x 0.15 mm
Recommended pc board hole dia.	ø 0.7 mm
Solder pin length	1.75 mm
Protection category according to IEC 60529	IP 00
Color	black

Dimensional drawing



$L = (\text{Pole size} - 1) * \text{centerline} + 1.27 \text{ mm (0.050 in.)}$

P/N

FR20B VBDN

Complete the part number by adding the pole size.

	02	03	04	05	06	07	08
09	10	11	12	13	14	15	16
17	18	19	..	40			

(Information: page 201)

Standard pole sizes

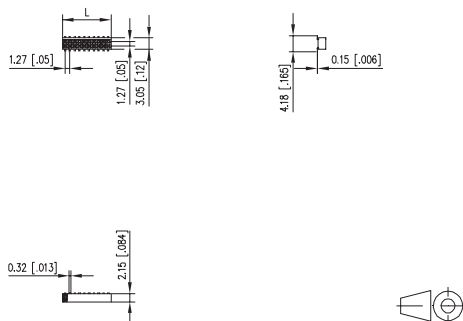


Product family	Pole size	Color	Option
FM20B	xx	V	BDN
Centerline	Design	Function	

- female connector, SMT solderable
- centerline 1.27 mm, direction of connection vertical 0°
- closed ends
- color black
- Tape & Reel packaging
- dual rows

Rated current	1 A
Solder pin dimension	0.32 x 0.1 mm
Protection category according to IEC 60529	IP 00
Color	black

Dimensional drawing



$L = (\text{Pole size} - 1) * \text{centerline} + 1.73 \text{ mm (0.068 in.)}$

P/N

FM20B VBDN

Complete the part number by adding the pole size.

	02	03	04	05	06	07	08
09	10	11	12	13	14	15	16
17	18	19	..	40			

(Information: page 201)

Standard pole sizes

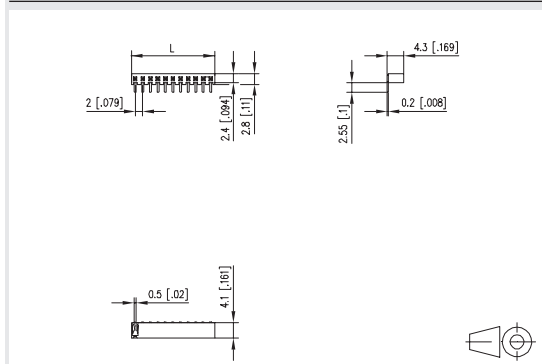


Product family Pole size Color Option
FR20CxxHBNN
 Centerline Design Function

- female connector, THR solderable
- centerline 2.00 mm, direction of connection 90°
- closed ends
- color black
- Tape & Reel packaging
- single row

Rated current	1 A
Solder pin dimension	0.5 x 0.2 mm
Recommended pc board hole dia.	ø 0.70 mm
Solder pin length	3.0 mm
Protection category according to IEC 60529	IP 00
Color	black

Dimensional drawing



$L = (\text{Pole size} - 1) * \text{centerline} + 2.0 \text{ mm (0.079 in.)}$

P/N

FR20C HBNN

Complete the part number by adding the pole size.

	02	03	04	05	06	07	08
09	10	11	12	13	14	15	16
17	18	19	..	40			

(Information: page 201)

Standard pole sizes

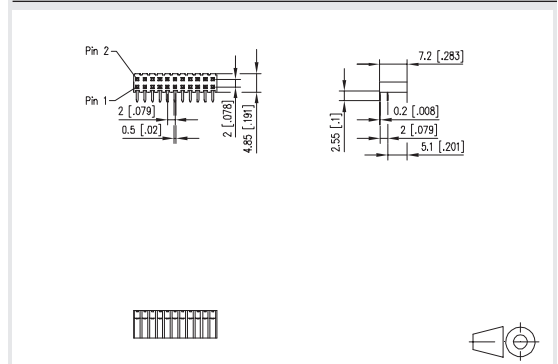


Product family Pole size Color Option
FR20CxxHBDN
 Centerline Design Function

- female connector, THR solderable
- centerline 2.00 mm, direction of connection 90°
- closed ends
- color black
- Tape & Reel packaging
- single row

Rated current	1 A
Solder pin dimension	0.5 x 0.2 mm
Recommended pc board hole dia.	ø 0.70 mm
Solder pin length	3.0 mm
Protection category according to IEC 60529	IP 00
Color	black

Dimensional drawing



$L = (\text{Pole size} - 1) * \text{centerline} + 2.0 \text{ mm (0.079 in.)}$

P/N

FR20C HBDN

Complete the part number by adding the pole size.

	02	03	04	05	06	07	08
09	10	11	12	13	14	15	16
17	18	19	..	40			

(Information: page 201)

Standard pole sizes

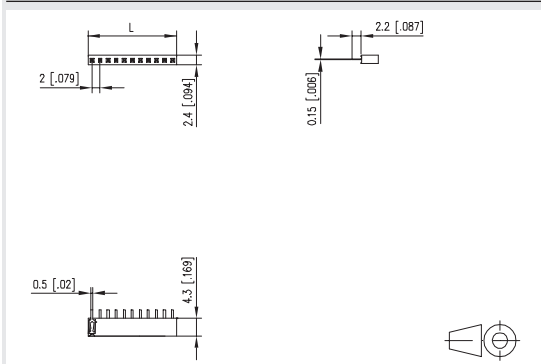


Product family	Pole size	Color	Option
FR20C	xx	V	NN
Centerline	Design	Function	

- female connector, THR solderable
- centerline 2.00 mm, direction of connection vertical 0°
- closed ends
- color black
- Tape & Reel packaging
- single row

Rated current	1 A
Solder pin dimension	0.5 x 0.2 mm
Recommended pc board hole dia.	ø 0.7 mm
Solder pin length	2.20 mm
Protection category according to IEC 60529	IP 00
Color	black

Dimensional drawing



$L = (\text{Pole size} - 1) * \text{centerline} + 2.0 \text{ mm (0.079 in.)}$

P/N **FR20C** **VBNN**

Complete the part number by adding the pole size.

	02	03	04	05	06	07	08
09	10	11	12	13	14	15	16
17	18	19	..	40			

(Information: page 201)

Standard pole sizes

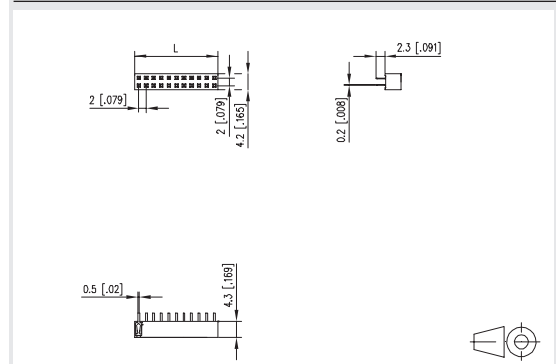


Product family	Pole size	Color	Option
FR20C	xx	V	DN
Centerline	Design	Function	

- female connector, THR solderable
- centerline 2.00 mm, direction of connection vertical 0°
- closed ends
- color black
- Tape & Reel packaging
- dual rows

Rated current	1 A
Solder pin dimension	0.5 x 0.2 mm
Recommended pc board hole dia.	ø 0.7 mm
Solder pin length	2.20 mm
Protection category according to IEC 60529	IP 00
Color	black

Dimensional drawing



$L = (\text{Pole size} - 1) * \text{centerline} + 2.0 \text{ mm (0.079 in.)}$

P/N **FR20C** **VBDN**

Complete the part number by adding the pole size.

	02	03	04	05	06	07	08
09	10	11	12	13	14	15	16
17	18	19	..	40			

(Information: page 201)

Standard pole sizes

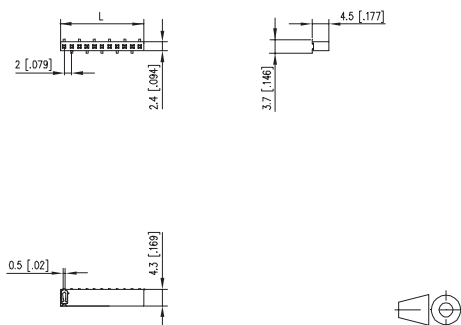


Product family Pole size Color Option
FM20CxxVBNN
 Centerline Design Function

- female connector, SMT solderable
- centerline 2.00 mm, direction of connection vertical 0°
- closed ends
- color black
- Tape & Reel packaging
- single row

Rated current 1 A
 Solder pin dimension 0.5 x 0.2 mm
 Protection category according to IEC 60529 IP 00
 Color black

Dimensional drawing



L = (Pole size - 1) * centerline + 2.0 mm (0.079 in.)

P/N Complete the part number by adding the pole size.

FM20C		VBNN	02	03	04	05	06	07	08
			09	10	11	12	13	14	15
			17	18	19	..	40		

(Information: page 201)

Standard pole sizes

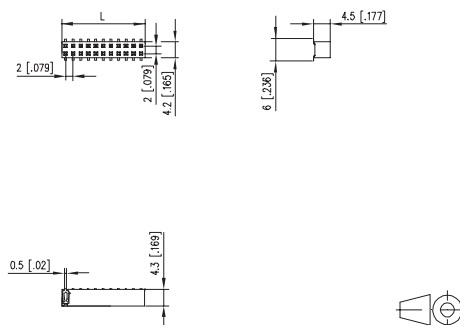


Product family Pole size Color Option
FM20CxxVBDN
 Centerline Design Function

- female connector, SMT solderable
- centerline 2.00 mm, direction of connection vertical 0°
- closed ends
- color black
- Tape & Reel packaging
- dual rows

Rated current 1 A
 Solder pin dimension 0.5 x 0.2 mm
 Protection category according to IEC 60529 IP 00
 Color black

Dimensional drawing



L = (Pole size - 1) * centerline + 2.0 mm (0.079 in.)

P/N Complete the part number by adding the pole size.

FM20C		VBDN	02	03	04	05	06	07	08
			09	10	11	12	13	14	15
			17	18	19	..	40		

(Information: page 201)

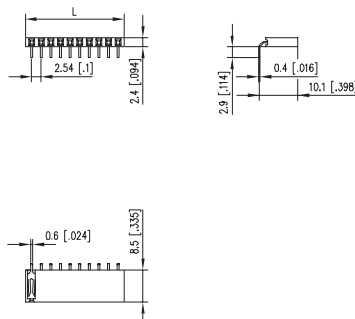
Standard pole sizes



Product family	Pole size	Color	Option
FR202	xx	H	NN
Centerline	Design	Function	

- female connector, THR solderable
- centerline 2.54 mm, direction of connection 90°
- closed ends
- color black
- single row

Rated current	3 A
Solder pin dimension	0.6 x 0.4 mm
Recommended pc board hole dia.	∅ 1.02 mm
Solder pin length	3.00 mm
Protection category according to IEC 60529	IP 00
Color	black

Dimensional drawing


$$L = (\text{Pole size} - 1) * \text{centerline} + 3.04 \text{ mm (0.120 in.)}$$

P/N

FR202 HBNN

Complete the part number by adding the pole size.

	02	03	04	05	06	07	08
09	10	11	12	13	14	15	16
17	18	19	...	40			

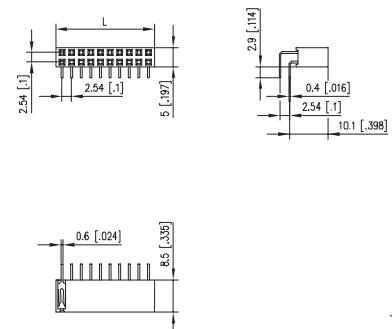
(Information: page 201)

Standard pole sizes


Product family	Pole size	Color	Option
FR202	xx	H	DN
Centerline	Design	Function	

- female connector, THR solderable
- centerline 2.54 mm, direction of connection 90°
- closed ends
- color black
- dual rows

Rated current	3 A
Solder pin dimension	0.6 x 0.4 mm
Recommended pc board hole dia.	∅ 1.02 mm
Solder pin length	3.00 mm
Protection category according to IEC 60529	IP 00
Color	black

Dimensional drawing


$$L = (\text{Pole size} - 1) * \text{centerline} + 3.04 \text{ mm (0.120 in.)}$$

P/N

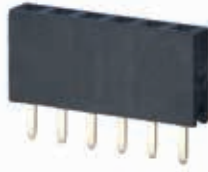
FR202 HBDN

Complete the part number by adding the pole size.

	02	03	04	05	06	07	08
09	10	11	12	13	14	15	16
17	18	19	...	40			

(Information: page 201)

Standard pole sizes

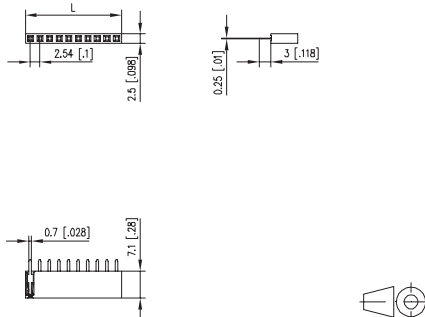


Product family Pole size Color Option
FR202xxVBNN
 Centerline Design Function

- female connector, THR solderable
- centerline 2.54 mm, direction of connection vertical 0°
- closed ends
- color black
- single row

Rated current	3 A
Solder pin dimension	0.7 x 0.25 mm
Recommended pc board hole dia.	ø 1.02 mm
Solder pin length	3.00 mm
Protection category according to IEC 60529	IP 00
Color	black

Dimensional drawing



$L = (\text{Pole size} - 1) \times \text{centerline} + 3.04 \text{ mm (0.120 in.)}$

P/N

FR202 VBNN

Complete the part number by adding the pole size.

	02	03	04	05	06	07	08
09	10	11	12	13	14	15	16
17	18	19	...	40			

(Information: page 201)

Standard pole sizes

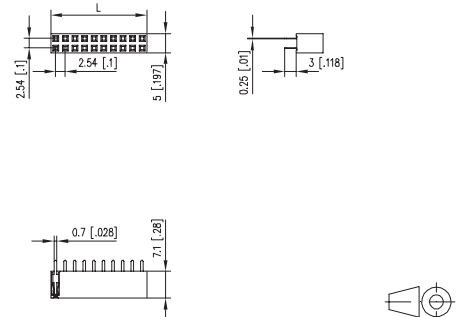


Product family Pole size Color Option
FR202xxVBDN
 Centerline Design Function

- female connector, THR solderable
- centerline 2.54 mm, direction of connection vertical 0°
- closed ends
- color black
- dual rows

Rated current	3 A
Solder pin dimension	0.7 x 0.25 mm
Recommended pc board hole dia.	ø 1.02 mm
Solder pin length	3.00 mm
Protection category according to IEC 60529	IP 00
Color	black

Dimensional drawing



$L = (\text{Pole size} - 1) \times \text{centerline} + 3.04 \text{ mm (0.120 in.)}$

P/N

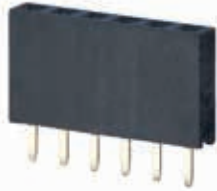
FR202 VBDN

Complete the part number by adding the pole size.

	02	03	04	05	06	07	08
09	10	11	12	13	14	15	16
17	18	19	...	40			

(Information: page 201)

Standard pole sizes

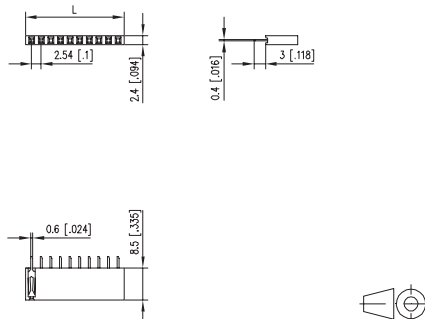


Product family	Pole size	Color	Option
FR202	xx	V	NN0001
Centerline	Design	Function	

- female connector, THR solderable
- centerline 2.54 mm, direction of connection vertical 0°
- closed ends
- color black
- single row

Rated current	3 A
Solder pin dimension	0.6 x 0.4 mm
Recommended pc board hole dia.	ø 1.02 mm
Solder pin length	3.00 mm
Protection category according to IEC 60529	IP 00
Color	black

Dimensional drawing



$L = (\text{Pole size} - 1) * \text{centerline} + 3.04 \text{ mm (0.120 in.)}$

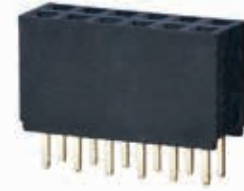
P/N

Complete the part number by adding the pole size.

FR202	<input type="text"/>	VBNN0001	<input type="text"/>	02	03	04	05	06	07	08	
				09	10	11	12	13	14	15	16
				17	18	19	...	40			

(Information: page 201)

Standard pole sizes

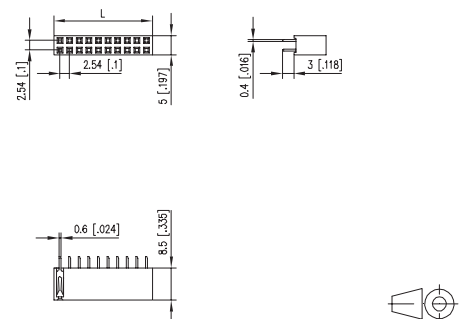


Product family	Pole size	Color	Option
FR202	xx	V	BDN0001
Centerline	Design	Function	

- female connector, THR solderable
- centerline 2.54 mm, direction of connection vertical 0°
- closed ends
- color black
- dual rows

Rated current	3 A
Solder pin dimension	0.6 x 0.4 mm
Recommended pc board hole dia.	ø 1.02 mm
Solder pin length	3.00 mm
Protection category according to IEC 60529	IP 00
Color	black

Dimensional drawing



$L = (\text{Pole size} - 1) * \text{centerline} + 3.04 \text{ mm (0.120 in.)}$

P/N

Complete the part number by adding the pole size.

FR202	<input type="text"/>	VBDN0001	<input type="text"/>	02	03	04	05	06	07	08	
				09	10	11	12	13	14	15	16
				17	18	19	...	40			

(Information: page 201)

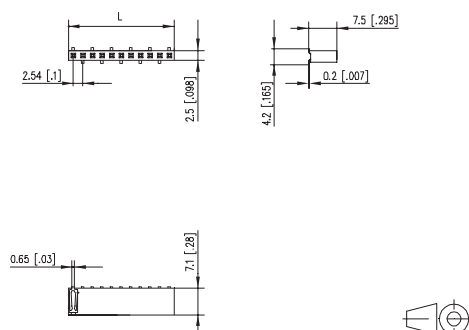
Standard pole sizes



Product family	Pole size	Color	Option
FM202	xx	V	NN
Centerline	Design	Function	

- female connector, SMT solderable
- centerline 2.54 mm, direction of connection vertical 0°
- closed ends
- color black
- single row

Rated current	3 A
Solder pin dimension	0.65 x 0.25 mm
Protection category according to IEC 60529	IP 00
Color	black

Dimensional drawing

 $L = (\text{Pole size} - 1) * \text{centerline} + 2.54 \text{ mm (0.100 in.)}$

P/N

FM202 VBNN

Complete the part number by adding the pole size.

	02	03	04	05	06	07	08
09	10	11	12	13	14	15	16
17	18	19	...	40			

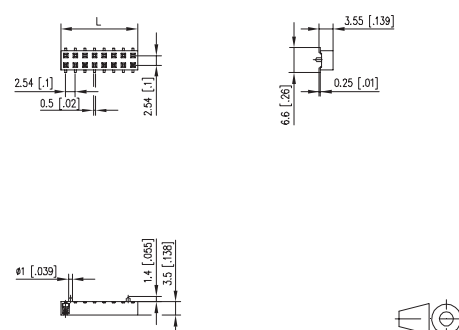
(Information: page 201)

Standard pole sizes


Product family	Pole size	Color	Option
FM202	xx	V	BDN
Centerline	Design	Function	

- female connector, SMT solderable
- centerline 2.54 mm, direction of connection vertical 0°
- closed ends
- color black
- Tape & Reel packaging
- dual rows

Rated current	3 A
Solder pin dimension	0.5 x 0.25 mm
Protection category according to IEC 60529	IP 00
Color	black

Dimensional drawing

 $L = (\text{Pole size} - 1) * \text{centerline} + 2.94 \text{ mm (0.116 in.)}$

P/N

FM202 VBDN

Complete the part number by adding the pole size.

	02	03	04	05	06	07	08
09	10	11	12	13	14	15	16
17	18	19	...	40			

(Information: page 201)

Standard pole sizes

PC board jacks RJ/USB

1	Overview PCB jacks/plugs	226
2	Overview PCB jacks/plugs RJ/USB	228
3	RJ45 modules for device connection	231
4	RJ45 unshielded	235
5	RJ45 shielded	240
6	RJ45 LED unshielded	249
7	RJ45 LED shielded	253
8	RJ45 plugs	258
9	RJ12	259
10	RJ11	264
11	USB	266

PC board jacks/plugs



PC board jacks/plugs

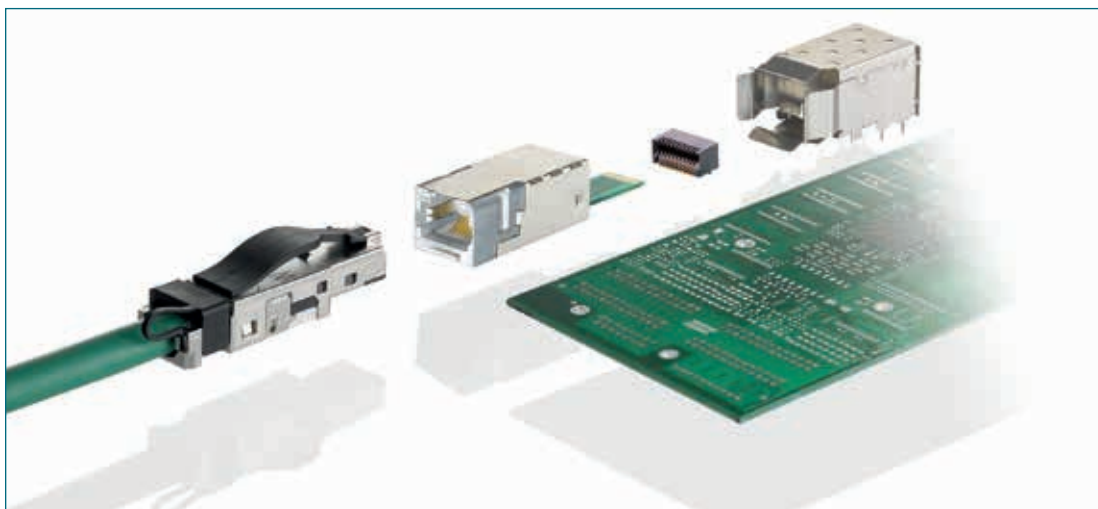
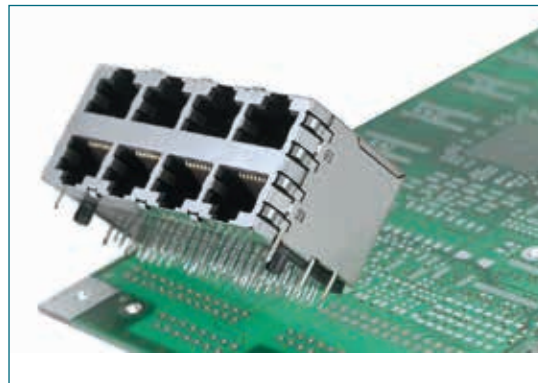
Reliable, simple, quick and solution-oriented – this range of products of PCB jacks and plugs does not only offer decisive advantages for your industrial applications but also for their planning, assembly and their daily use. You benefit from a consistently high-quality transmission section from the PC board of a device via the cabling of the system, to the IT landscape and this irrespective of whether M12, RJ45, RJ12, USB or other products are used.



PC board RJ/USB

Description

After its start in the telephone technology of the 1980s, the RJ45 gradually took over data technology and today is an established part of data centers, building technology and wiring, as well as everyday devices. Billionfold approved it is used for most of the data communication interfaces – independent of the application and particular manufacturers or interest groups. We offer you the ideal solution for a whole range of requirements and applications.



Direct PC board connection

For direct PCB connections we offer a system consisting of RJ45 modules with integrated magnetics, PCB edge connector and metal shield. This combination makes it possible for the device designer to position the PCB edge connectors on the circuit board and thus no longer send the device jacks through the soldering process but to locate them in the assembly process. Through vertical and horizontal versions of the edge connector, the device can be connected as required.

In combination with a fixing flange in the housing, there is no longer any mechanical load on the fine fixations of the circuit board. For the fixation to the housing and the IP67 protection we offer various flanges.

Through the integrated magnetics in the RJ45 module, it is no longer necessary to place them discreetly on the circuit board, thus remaining flexible in the use of the circuit board. Only the RJ45 module is exchanged for other transfer rates.

PC board jacks with magnetics

Through the integrated magnetics in the RJ45 jack, a separate structure of the transformers is no longer necessary, thus saving construction space for additional components.

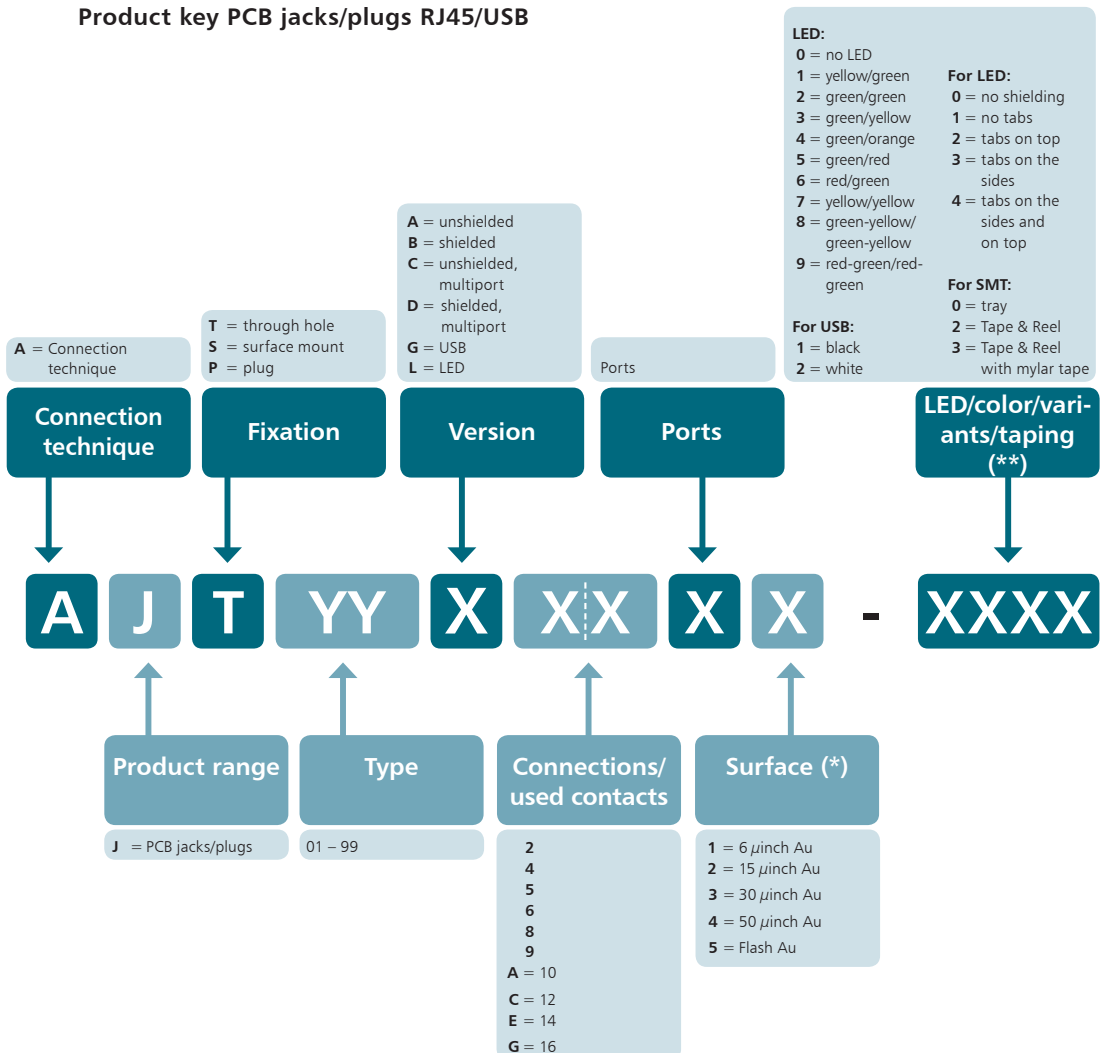
The RJ45 jacks with magnetics are available in the variants 10/100 Mbit or 1 Gbit and thus meet the most common applications at the present time.

PCB jacks/plugs

In addition to connection solutions with integrated magnetics, we offer you a number of special RJ45 PCB jacks in different designs and for various processing options – developed in order to guarantee contact reliability in operation without any special housing. This resulted in a product program that offers ideal solutions to all those seeking a reliable and flexible connection technology for their device design. And when a RJ45 plug is required on the circuit board, we have a solution ready for you.



Product key PCB jacks/plugs RJ45/USB



* As an option also a surface with 50 μinch Au is available for some variants.
** Information only required when one of the listed options is demanded.

PC board jacks RJ/USB

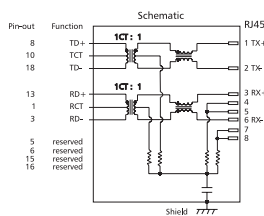
U | Contact



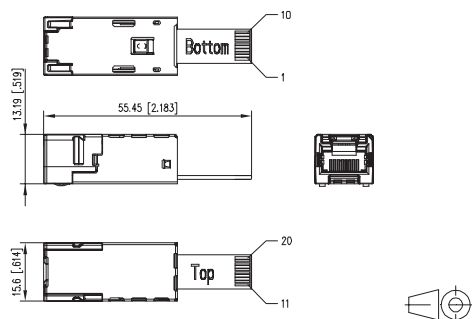
Modul RJ45 Magnetics 10/100 MBit

- RJ45 module with integrated magnetics
- 10/100 Mbit
- shielded
- IP67 protection by using flanges V1, V4
- direct connection to pc board by using the Metal Shield and PCB Edge Connector
- not suitable for PoE / PoE plus

Circuit diagram



Dimensional drawing



P/N	Color	Feature 1	Feature 2	EAN
MJT5213111	metallike	neutral	10/100 MBit	4250184125150

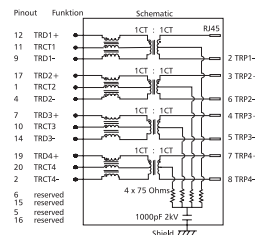


Modul RJ45 Magnetics 1 GBit

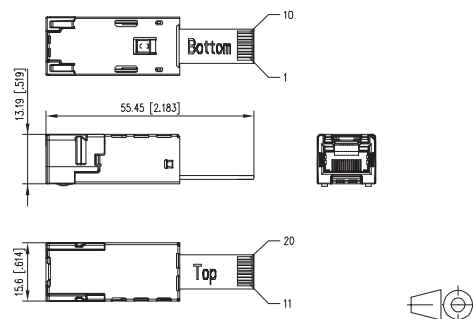
- RJ45 module with integrated magnetics
- 1 GBit
- shielded
- IP67 protection by using flanges V1, V4
- direct connection to pc board by using the Metal Shield and PCB Edge Connector

Variants: Power over Ethernet (PoE)
 MJT5214111 not suitable for PoE / PoE plus
 MJT5214211 suitable for PoE / PoE plus

Circuit diagram



Dimensional drawing



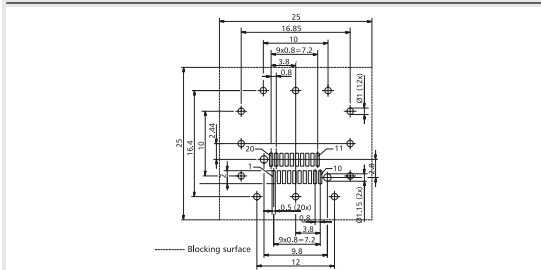
P/N	Color	Feature 1	Feature 2	EAN
MJT5214111	metallike	neutral	1 GBit	4250184125136
MJT5214211	metallike	neutral	1 GBit PoE	4250184125129



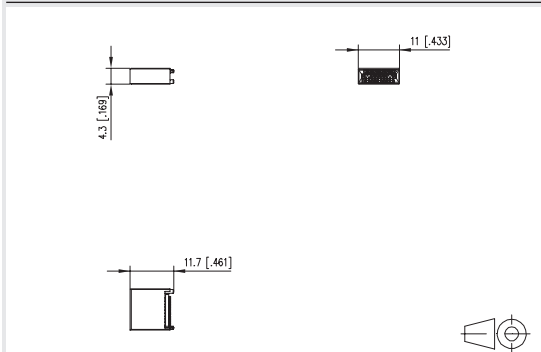
PCB Edge Connector vertical

- PCB edge connector
- direct connection to Module RJ45 Magnetics & Module SFP Tranceiver LC-D
- vertical mounting
- SMT solderable
- packing tape & reel

Drill pattern



Dimensional drawing



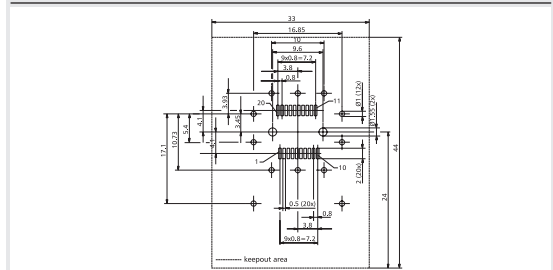
P/N	Color	Feature 1	Feature 2	EAN
MRS1100011-OG24	metallike	vertical		4250184125105



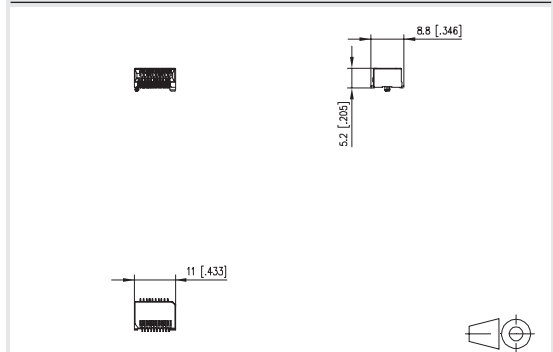
PCB Edge Connector horizontal

- PCB edge connector
- direct connection to Module RJ45 Magnetics
- horizontal mounting
- SMT solderable
- packing tape & reel

Drill pattern



Dimensional drawing



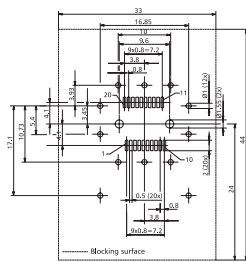
P/N	Color	Feature 1	Feature 2	EAN
MRS2100011-OG24	black	horizontal		4250184125372



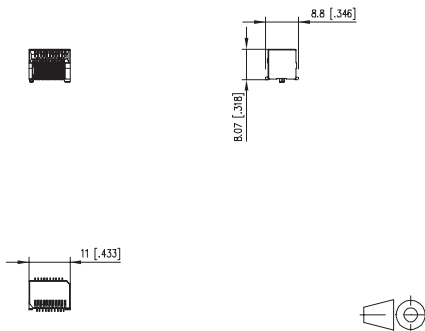
PCB Edge Connector horizontal for SFP

- PCB edge connector
- direct connection to Module SFP Transceiver LC-D
- horizontal mounting
- SMT solderable
- packing tape & reel

Drill pattern



Dimensional drawing



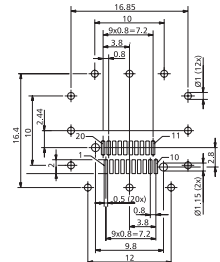
P/N	Color	Feature 1	Feature 2	EAN
MRS2000011-OG24	black	horizontal		4250184125082



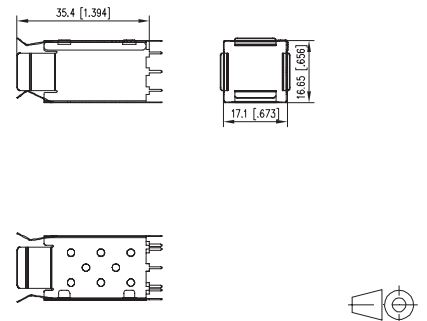
Metal Shield vertical

- metal shield
- shield for RJ45 Module Magnetics and SFP Transceiver LC-D
- vertical mounting
- solderable
- packing in tray

Drill pattern



Dimensional drawing



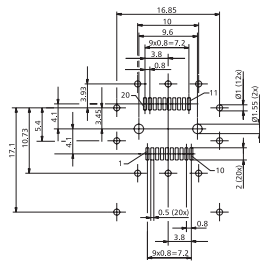
P/N	Color	Feature 1	Feature 2	EAN
MZT1110014	metallike	vertical		4250184125341



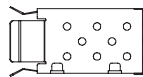
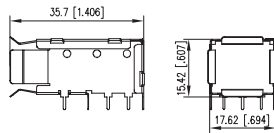
Metal Shield horizontal

- metal shield
- shield for RJ45 Module Magnetics and SFP Transceiver LC-D
- horizontal mounting
- solderable
- packing in tray

Drill pattern



Dimensional drawing



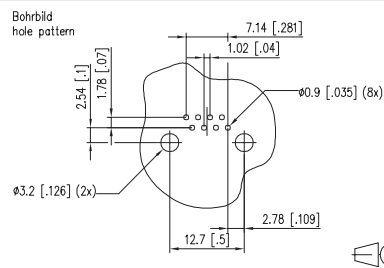
P/N	Color	Feature 1	Feature 2	EAN
MZT2110014	metallike	horizontal		4250184125402



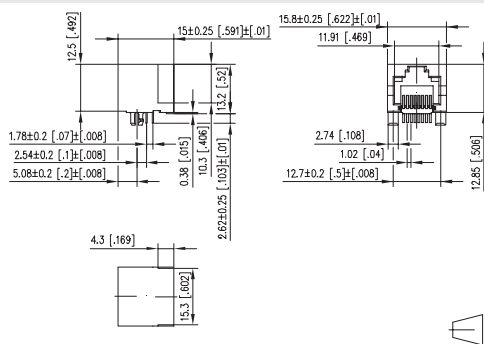
AJT65A

- PC board jack, RJ45, unshielded
- single port, side entry, with 8 contacts
- solderable (THR), color black
- L x W x H 15 mm x 15.8 mm x 12.85 mm
- top latch

Drill pattern



Dimensional drawing



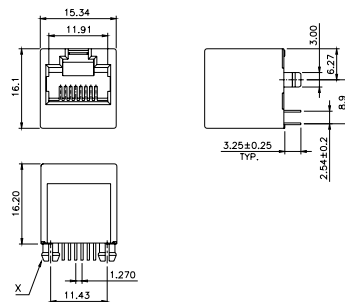
P/N	Color	Feature 1	Feature 2	EAN
AJT65A8812-0002	black	15 μ Au	13 Zoll reel	4250184162292



AJT84A

- PC board jack, RJ45, unshielded
- single port, top entry, with 8 contacts
- solderable, color black
- L x W x H 16.10 mm x 15.34 mm x 16.20 mm
- top latch
- Variants: 30 μ" Au, 50 μ" Au

Dimensional drawing



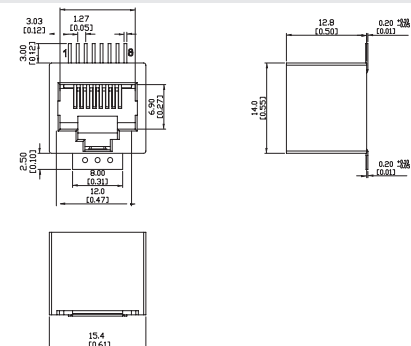
P/N	Color	Feature 1	Feature 2	EAN
AJT84A8813	black	30 μ" Au		4250184162964



AJS56A

- PC board jack, RJ45, unshielded
- single port, top entry, with 8 contacts
- solderable (SMT), color black
- L x W x H 14 mm x 14.6 mm x 12.8 mm
- bottom latch

Dimensional drawing



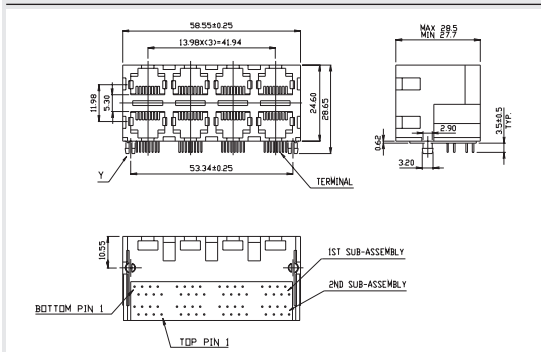
P/N	Color	Feature 1	Feature 2	EAN
AJS56A8811	black	6 μ" Au		4250184163039



AJT42C

- PC board jack, RJ45, unshielded
- multi port 2x4, side entry, with 8 contacts
- solderable, color black
- L x W x H 27.70 mm x 58.55 mm x 28.65 mm

Dimensional drawing



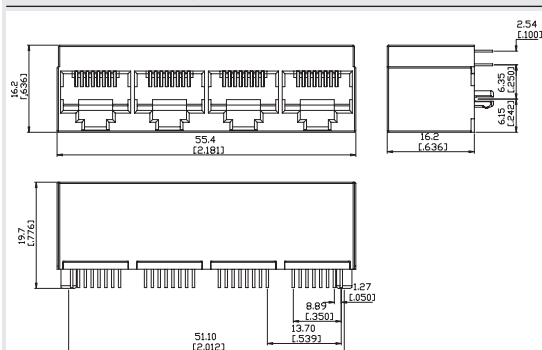
P/N	Color	Feature 1	Feature 2	EAN
AJT42C8883	black	30 μ" Au	2x4 port	4250184163084
AJT42C8821	black	6 μ" Au	2x1 port	4250184173052



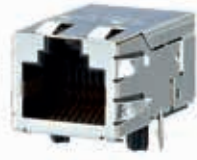
AJT47C

- PC board jack, RJ45, unshielded
- multi port 1x4, top entry, with 8 contacts
- solderable, color metal
- L x W x H 16.2 mm x 55.4 mm x 16.2 mm
- bottom latch

Dimensional drawing



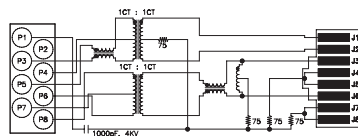
P/N	Color	Feature 1	Feature 2	EAN
AJT47C8841	metallike	6 μ" Au		4250184163091



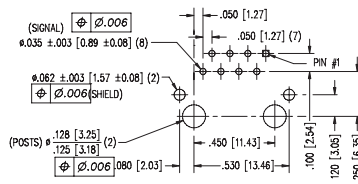
AJT92B8813 | Magnetics 10/100 MBit

- PC board jack, RJ45, shielded
- single port, side entry, with 8 contacts
- solderable
- L x W x H 25.4 mm x 16.13 mm x 13.79 mm
- top latch
- 50 μm Au

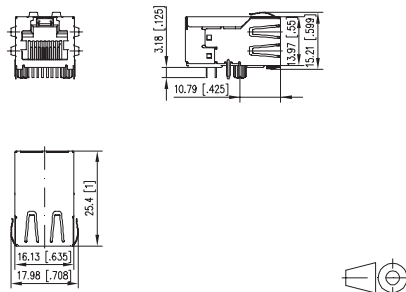
Drill pattern



Drill pattern



Dimensional drawing



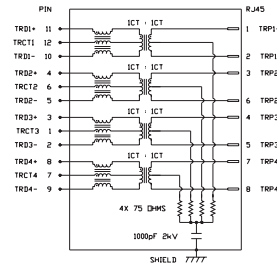
P/N	Color	Feature 1	Feature 2		
AJT92B8813		horizontal	10/100 MBit		



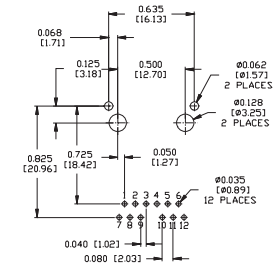
AJT92BC813 | Magnetics 1 GBit

- PC board jack, RJ45, shielded
- single port, side entry, with 8 contacts
- solderable
- L x W x H 30.48 mm x 16.79 mm x 13.61 mm
- top latch
- 50 μm Au

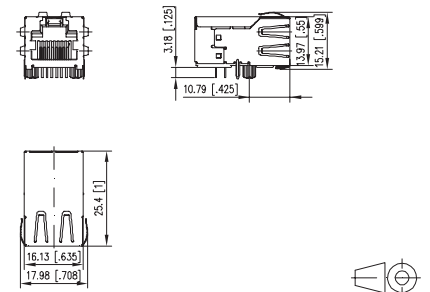
Drill pattern



Drill pattern



Dimensional drawing



P/N	Color	Feature 1	Feature 2		
AJT92BC813		horizontal	1 GBit		



AJT75B, 10P/8C

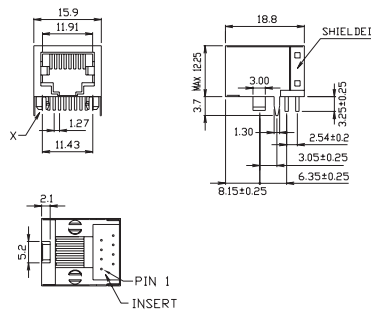
- PC board jack, RJ45, shielded
- single port, side entry, with 8 contacts
- solderable, color metal
- L x W x H 18.80 mm x 15.90 mm x 12.25 mm
- bottom latch



AJT75B, 10P/10C

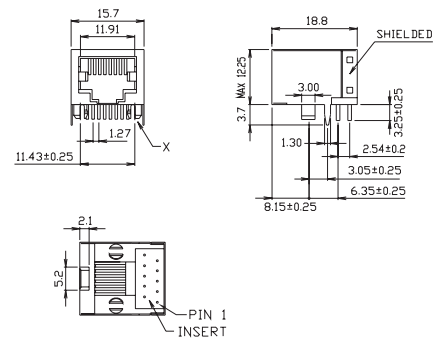
- PC board jack, RJ45, shielded
- single port, side entry, with 10 contacts
- solderable, color metal
- L x W x H 18.80 mm x 15.70 mm x 12.25 mm
- bottom latch

Dimensional drawing



P/N	Color	Feature 1	Feature 2	EAN
AJT75BA813	metallike	10P/8C	30 μ ^l Au	4250184163138

Dimensional drawing



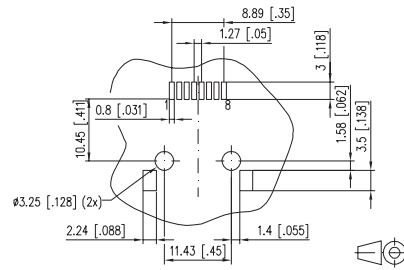
P/N	Color	Feature 1	Feature 2	EAN
AJT75BAA13	metallike	10P/10C	30 μ ^l Au	4250184163152



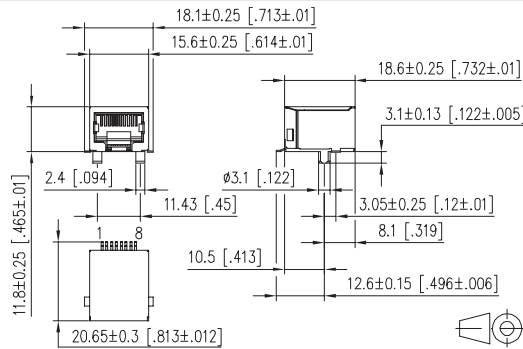
AJS58B

- PC board jack, RJ45, shielded
- single port, side entry, with 8 contacts
- solderable (SMT), color metal
- L x W x H 18.60 mm x 15.60 mm x 11.80 mm
- bottom latch

Drill pattern



Dimensional drawing



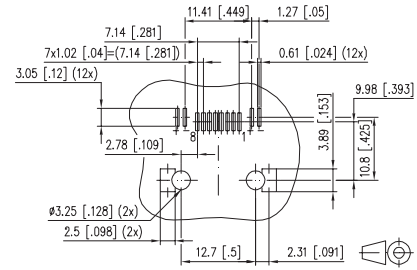
P/N	Color	Feature 1	Feature 2	EAN
AJS58BA811	metallike	6 μ" Au		4250184163169



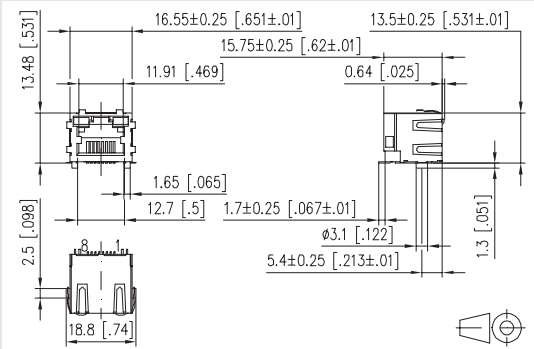
AJS59L

- PC board jack, RJ45, shielded
- single port, side entry, with 8 contacts
- solderable (SMT), color black
- L x W x H 14.99 mm x 15.75 mm x 12.76 mm
- LED, green/yellow, top latch
- Varianten: 6μ" Au, 30 μ" Au, Tape & Reel

Drill pattern



Dimensional drawing



P/N	Color	Feature 1	Feature 2	EAN
AJS59L8811-0312	black	Tape & Reel	6 μ" Au	4250184172093
AJS59L8813-0312	black	Tape & Reel	30 μ" Au	4250184172109



AJT93B

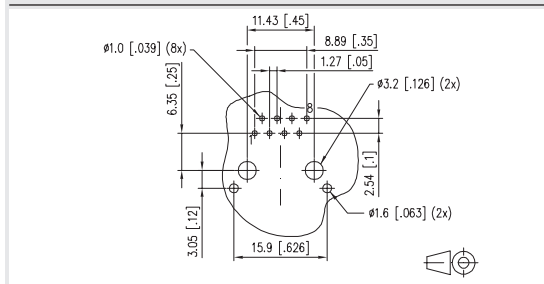
- PC board jack, RJ45, shielded
- single port, top entry, with 8 contacts
- solderable (THR), color metal
- L x W x H 16.7 mm x 16.2 mm x 16.4 mm
- bottom latch



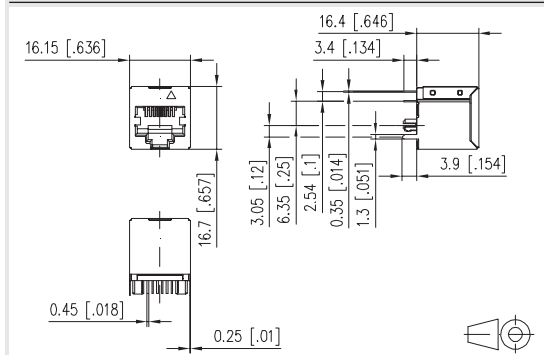
AJT74B

- PC board jack, RJ45, shielded
- single port, top entry, with 8 contacts
- solderable, color metal
- L x W x H 16.70 mm x 16.15 mm x 16.50 mm
- top latch
- Variants: 30 μ" Au, 50 μ" Au

Drill pattern

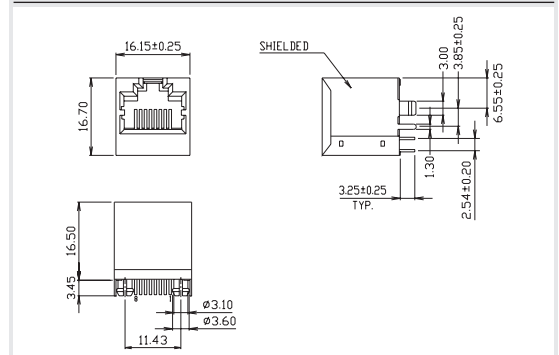


Dimensional drawing



P/N	Color	Feature 1	Feature 2	EAN
AJT93B8813	metallike	30 μ Au		4250184169437

Dimensional drawing



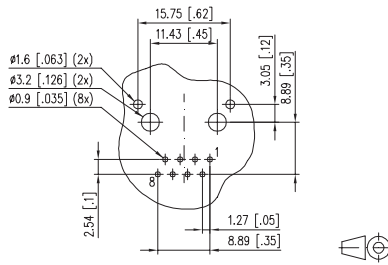
P/N	Color	Feature 1	Feature 2	EAN
AJT74B8813	metallike	30 μ" Au		4250184163176
AJT74B8814	metallike	50 μ" Au		4250184163183



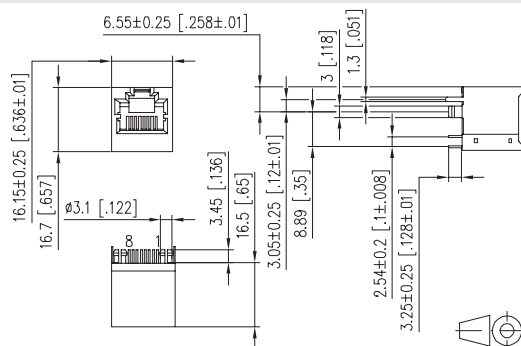
AJT01B

- PC board jack, RJ45, shielded
- single port, top entry, with 8 contacts
- solderable (THR), color metal
- L x W x H 16.70 mm x 16.15 mm x 16.50 mm
- top latch
- Variants: 30 μ" Au, 50 μ" Au

Drill pattern



Dimensional drawing



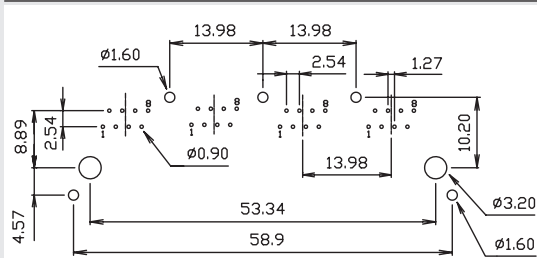
P/N	Color	Feature 1	Feature 2	EAN
AJT01B8813	metallike	30 μ" Au		4250184174080



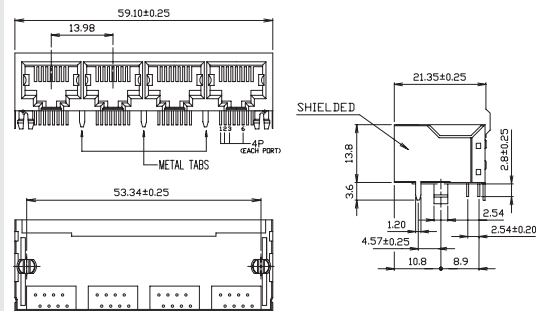
AJT47D

- PC board jack, RJ45, shielded
- multi port 1x4, side entry, with 8 contacts
- solderable, color metal
- L x W x H 59.10 mm x 21.35 mm x 13.80 mm
- bottom latch

Drill pattern



Dimensional drawing



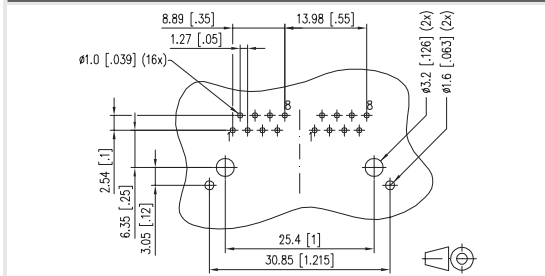
P/N	Color	Feature 1	Feature 2	EAN
AJT47D8843-003	metallike	30 μ" Au		4250184163190



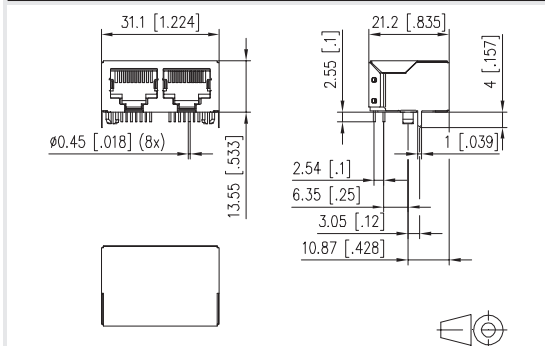
AJT93D

- PC board jack, RJ45, shielded
- multi port 1x2, side entry, with 8 contacts
- solderable, color metal
- L x W x H 31.1 mm x 21.2 mm x 13.5 mm
- bottom latch
- 30 μ" Au

Drill pattern



Dimensional drawing



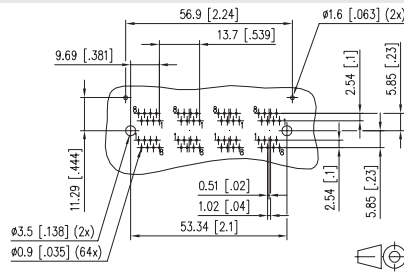
P/N	Color	Feature 1	Feature 2	EAN
AJT93DA823	metallike	30 μ" Au		4250184169444



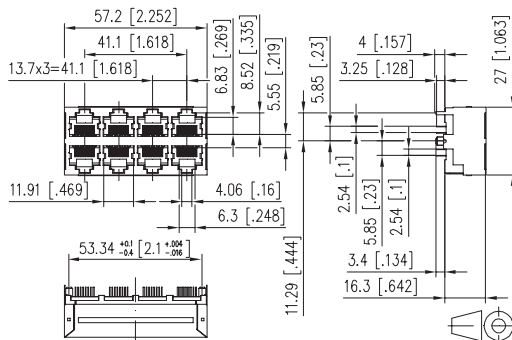
AJT46D

- PC board jack, RJ45, shielded
- multi port 2x4, top entry, with 8 contacts
- solderable, color metal
- L x W x H 27.4 mm x 57.2 mm x 16.5 mm

Drill pattern



Dimensional drawing



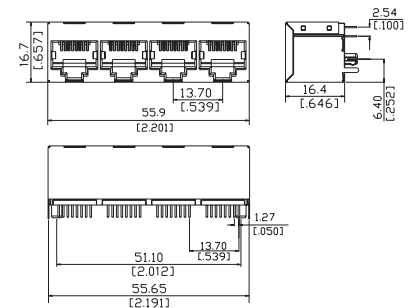
P/N	Color	Feature 1	Feature 2	EAN
AJT46D8883	metallike	30 μ" Au		4250184163251



AJT52D

- PC board jack, RJ45, shielded
- multi port 1x4, top entry, with 8 contacts
- solderable, color metal
- L x W x H 16.70 mm x 55.90 mm x 16.40 mm
- bottom latch

Dimensional drawing



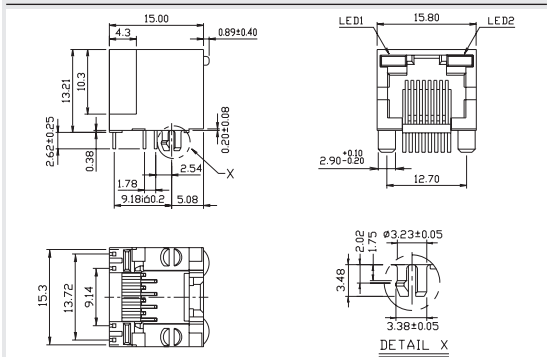
P/N	Color	Feature 1	Feature 2	EAN
AJT52D8843	metallike	30 μ" Au		4250184163268



AJT18L

- PC board jack, RJ45, unshielded
- single port, side entry, with 8 contacts
- solderable, color black
- L x W x H 15.00 mm x 15.80 mm x 13.21 mm
- LED, yellow/green, top latch
- Variants: LED yellow/green, green/green, green/yellow

Dimensional drawing



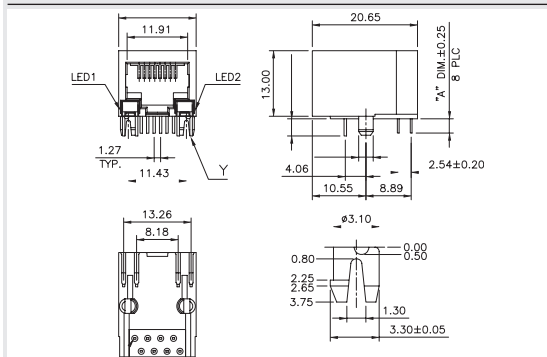
P/N	Color	Feature 1	Feature 2	EAN
AJT18L8813-010	black	LED yellow/green	30 μ" Au	4250184163275
AJT18L8813-020	black	LED green/green	30 μ" Au	4250184163282
AJT18L8813-030	black	LED green/yellow	30 μ" Au	4250184163299



AJT31L

- PC board jack, RJ45, unshielded
- single port, side entry, with 8 contacts
- solderable, color black
- L x W x H 20.65 mm x 15.24 mm x 13 mm
- LED, yellow/green, bottom latch

Dimensional drawing



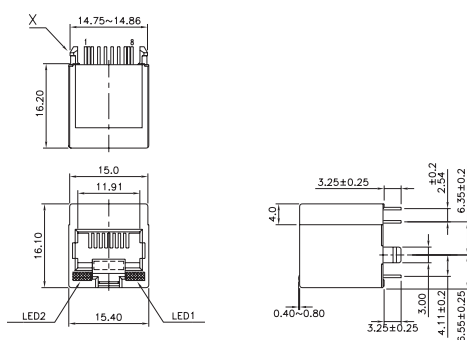
P/N	Color	Feature 1	Feature 2	EAN
AJT31L8811-01	black	6 μ" Au		4250184163305



AJT40L

- PC board jack, RJ45, unshielded
- single port, top entry, with 8 contacts
- solderable, color black
- L x W x H 16.10 mm x 15.00 mm x 16.20 mm
- LED, green/yellow, bottom latch

Dimensional drawing



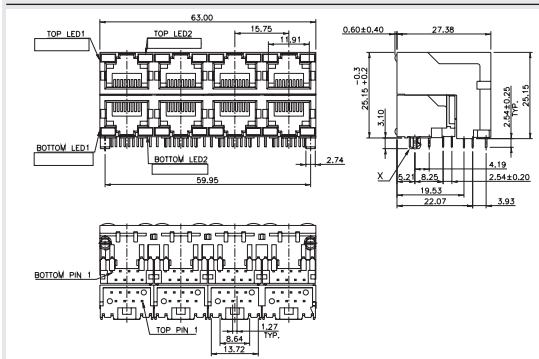
P/N	Color	Feature 1	Feature 2	EAN
AJT40L8813-030	black	30 μ Au		4250184163312



AJT36L

- PC board jack, RJ45, unshielded
- multi port 2x4, side entry, with 8 contacts
- solderable, color black
- L x W x H 27.38 mm x 63.00 mm x 25.15 mm
- LED, red/green

Dimensional drawing



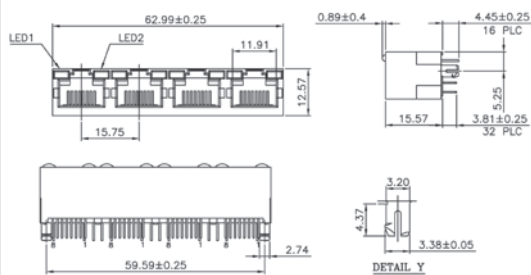
P/N	Color	Feature 1	Feature 2	EAN
AJT36L8883-090	black	30 μ Au		4250184163329



AJT32L

- PC board jack, RJ45, unshielded
- multi port 1x4, top entry, with 8 contacts
- solderable, color black
- L x W x H 12.57 mm x 62.99 mm x 15.57 mm
- LED, yellow/green, top latch

Dimensional drawing



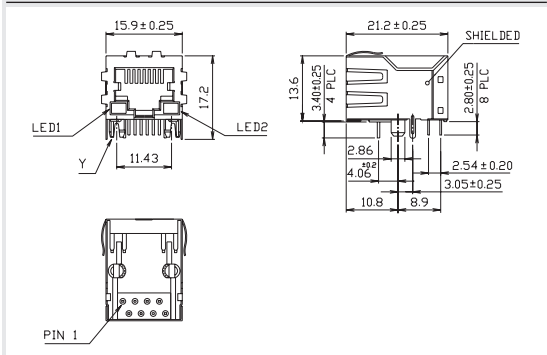
P/N	Color	Feature 1	Feature 2	EAN
AJT32L8841-010	black	6 μ" Au		4250184163350



AJT33L

- PC board jack, RJ45, shielded
- single port, side entry, with 8 contacts
- solderable, color metal
- L x W x H 21.20 mm x 15.90 mm x 13.60 mm
- LED, red/green, bottom latch
- Variants: LED yellow/green, red/green

Dimensional drawing



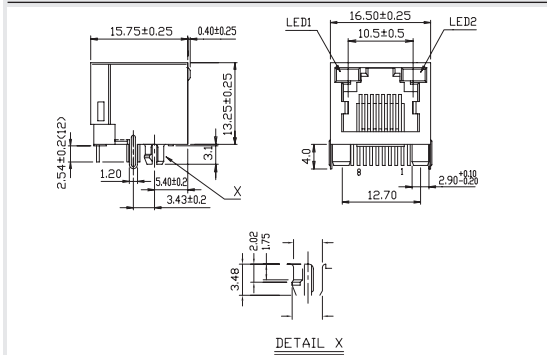
P/N	Color	Feature 1	Feature 2	EAN
AJT33L8813-014	metallike	LED yellow/green	30 μ" Au	4250184163374
AJT33L8813-064	metallike	LED red/green	30 μ" Au	4250184163381



AJT34L

- PC board jack, RJ45, shielded
- single port, side entry, with 8 contacts
- solderable, color metal
- L x W x H 15.75 mm x 16.51 mm x 13.55 mm
- LED, yellow/green, top latch
- Variants: LED yellow/green, green/yellow - each top & side tabs and no tabs and 30 μ" Au

Dimensional drawing



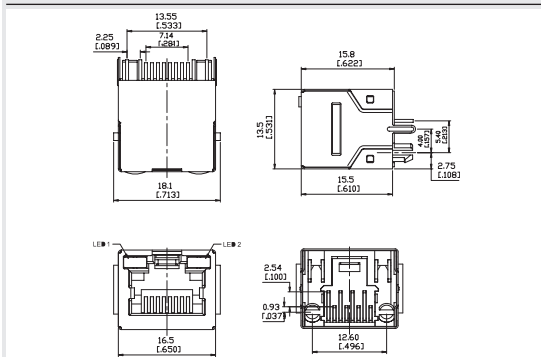
P/N	Color	Feature 1	Feature 2	EAN
AJT34L8813-011	metallike	LED yellow/green	no tabs	4250184163404
AJT34L8813-014	metallike	LED yellow/green	top & side tabs	4250184163411
AJT34L8813-034	metallike	LED green/yellow	top & side tabs	4250184163428
AJT34L8814-031	metallike	LED green/yellow	no tabs	4250184163435



AJT38L

- PC board jack, RJ45, shielded
- single port, top entry, with 8 contacts
- solderable, color metal
- L x W x H 13.5 mm x 16.5 mm x 15.8 mm
- LED, yellow/green, top latch

Dimensional drawing



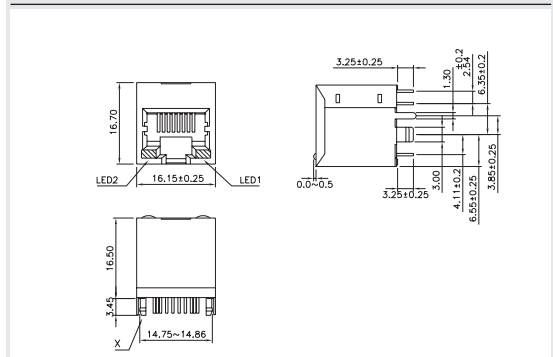
P/N	Color	Feature 1	Feature 2	EAN
AJT38L8813-011	metallike	30 μ" Au		4250184163466



AJT39L

- PC board jack, RJ45, shielded
- single port, top entry, with 8 contacts
- solderable, color metal
- L x W x H 16.70 mm x 16.15 mm x 16.50 mm
- LED, yellow/green, bottom latch
- Variants: LED yellow/green, green/green, green/yellow - each 30 μ" Au

Dimensional drawing



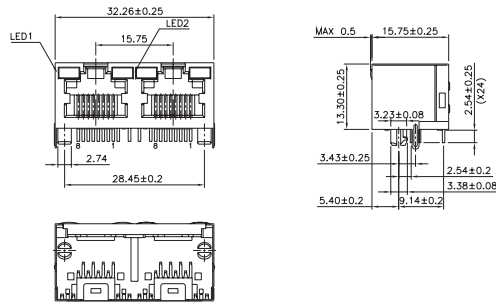
P/N	Color	Feature 1	Feature 2	EAN
AJT39L8813-021	metallike	LED green/green	top & side tabs	4250184163473
AJT39L8813-031	metallike	LED green/yellow	top & side tabs	4250184163480



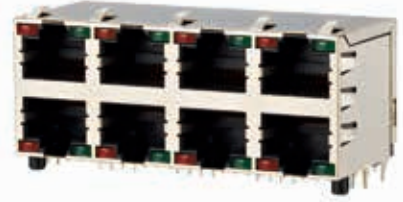
AJT35L

- PC board jack, RJ45, shielded
- multi port 1x2, side entry, with 8 contacts
- solderable, color metal
- L x W x H 15.75 mm x 32.26 mm x 13.30 mm
- LED, green/yellow, top latch

Dimensional drawing



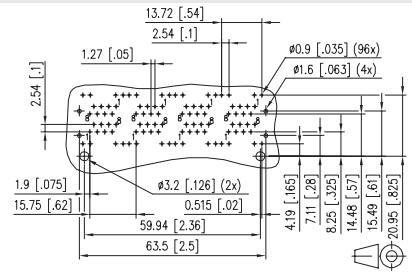
P/N	Color	Feature 1	Feature 2	EAN
AJT35L8824-031	metallike	50 μ" Au		4250184163497



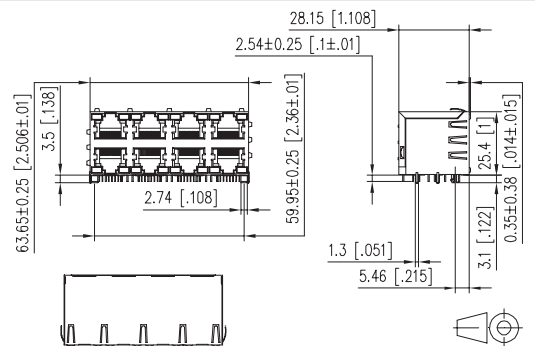
AJT37L

- PC board jack, RJ45, shielded
- multi port 2x4, side entry, with 8 contacts
- solderable, color metal
- L x W x H 28.15 mm x 63.65 mm x 25.40 mm
- LED, red/green, top and bottom

Drill pattern



Dimensional drawing



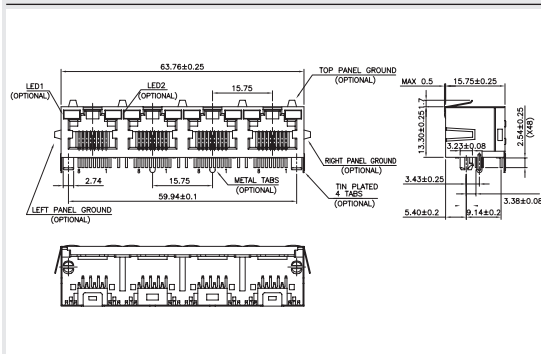
P/N	Color	Feature 1	Feature 2	EAN
AJT37L8884-094	metallike	50 μ" Au		4250184163503



AJT41L

- PC board jack, RJ45, shielded
- multi port 1x4, side entry, with 8 contacts
- solderable, color metal
- L x W x H 15.75 mm x 63.76 mm x 13.3 mm
- LED, yellow/green, top latch

Dimensional drawing



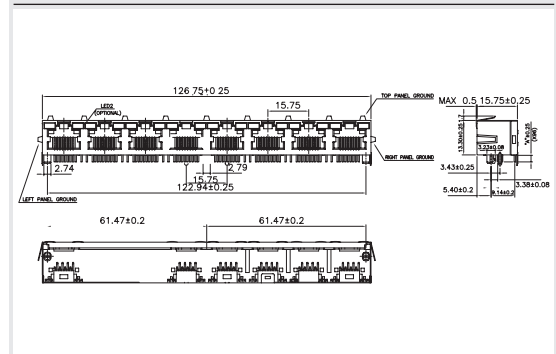
P/N	Color	Feature 1	Feature 2	EAN
AJT41L8841-011	metallike	6 μ ^m Au		4250184163510



AJT43L

- PC board jack, RJ45, shielded
- multi port 1x8, side entry, with 8 contacts
- solderable, color metal
- L x W x H 15.75 mm x 126.7 mm x 13.3 mm
- LED, yellow/green, top latch

Dimensional drawing



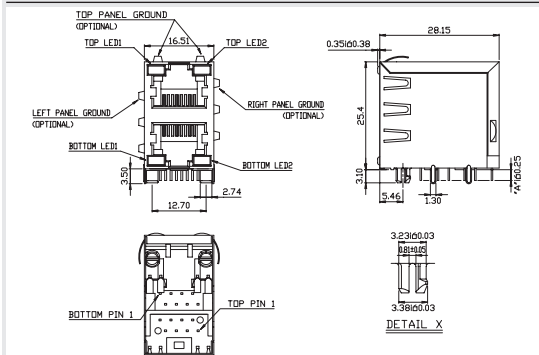
P/N	Color	Feature 1	Feature 2	EAN
AJT43L8881-011	metallike	6 μ ^m Au		4250184163527



AJT44L

- PC board jack, RJ45, shielded
- multi port 2x1, side entry, with 8 contacts
- solderable, color metal
- L x W x H 28.15 mm x 16.51 mm x 25.4 mm
- LED, yellow/green

Dimensional drawing



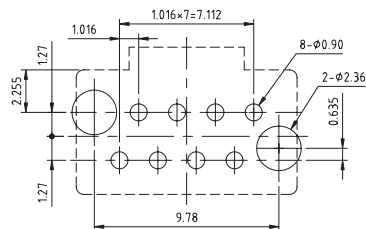
P/N	Color	Feature 1	Feature 2	EAN
AJT44L8821-014	metallike	6 μ" Au		4250184163534



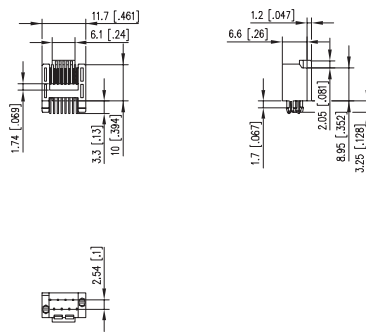
AJP92A

- PC board plug, RJ45, unshielded
- single port, top entry, with 8 contacts
- solderable
- L x W x H 6.6 mm x 11.7 mm x 11 mm

Drill pattern



Dimensional drawing



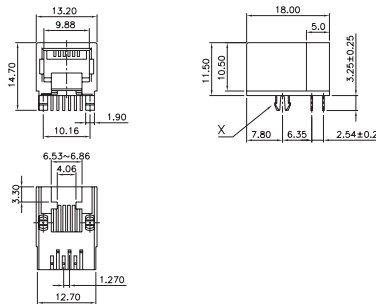
P/N	Color	Feature 1	Feature 2
AJP92A8813			



AJT85A

- PC board jack, RJ12, unshielded
- single port, side entry, with 6 contacts
- solderable, color black
- L x W x H 18.00 mm x 13.20 mm x 11.50 mm
- bottom latch
- Variants: 30 μ" Au, 50 μ" Au

Dimensional drawing



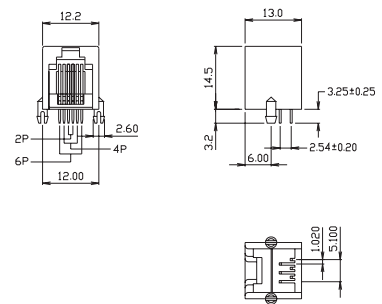
P/N	Color	Feature 1	Feature 2	EAN
AJT85A6613	black	30 μ" Au		4250184163541



AJT87A

- PC board jack, RJ12, unshielded
- single port, side entry, with 6 contacts
- solderable, color black
- L x W x H 15 mm x 14.2 mm x 14.35 mm
- top latch
- Variants: black inlay, gray inlay

Dimensional drawing



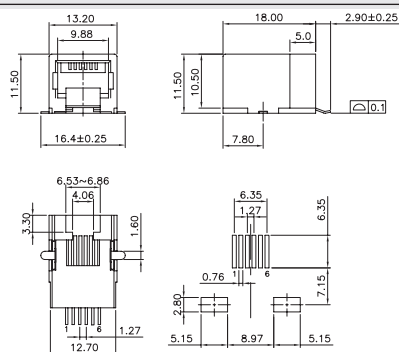
P/N	Color	Feature 1	Feature 2	EAN
AJT87A6612	black	inlay black		4250184163565
AJT87A6611-041	black	inlay gray	6 μ" Au	4250184163572



AJS57A

- PC board jack, RJ12, unshielded
- single port, side entry, with 6 contacts
- solderable (SMT), color black
- L x W x H 18 mm x 13.2 mm x 11.5 mm
- bottom latch

Dimensional drawing



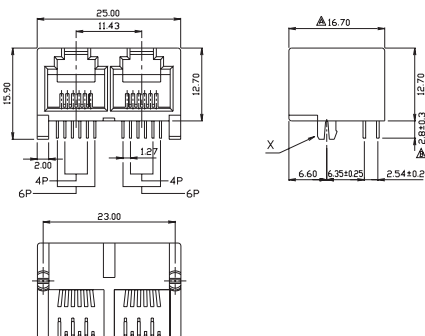
P/N	Color	Feature 1	Feature 2	EAN
AJS57A6613	black	30 μ Au		4250184163602



AJT46C

- PC board jack, RJ12, unshielded
- multi port 1x2, side entry, with 6 contacts
- solderable, color black
- L x W x H 16.70 mm x 25.00 mm x 12.70 mm
- top latch

Dimensional drawing



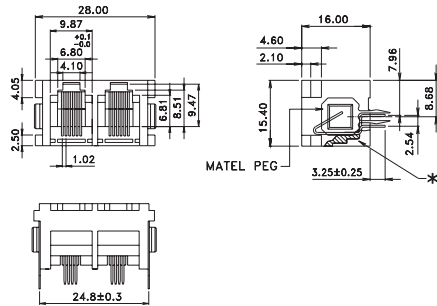
P/N	Color	Feature 1	Feature 2	EAN
AJT46C6623	black	30 μ" Au		4250184163633



AJT43C 1x2 Port

- PC board jack, RJ12, unshielded
- multi port 1x2, top entry, with 4 contacts
- solderable, color black
- L x W x H 16.00 mm x 28.00 mm x 15.40 mm
- top latch

Dimensional drawing



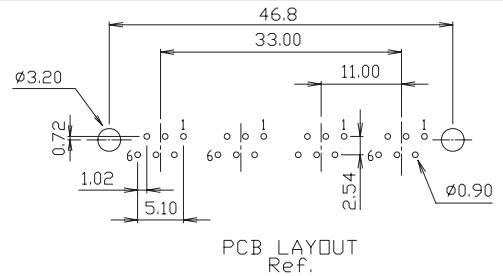
P/N	Color	Feature 1	Feature 2	EAN
AJT43C6421	black	2 port	6P/4C	4250184163657



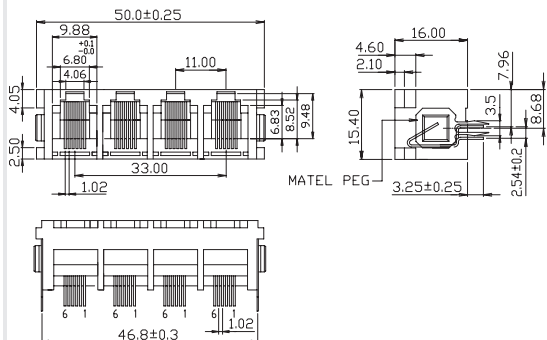
AJT43C 1x4 Port

- PC board jack, RJ12, unshielded
- multi port 1x4, top entry, with 6 contacts
- solderable, color black
- L x W x H 16.00 mm x 50.00 mm x 15.40 mm
- top latch

Drill pattern



Dimensional drawing



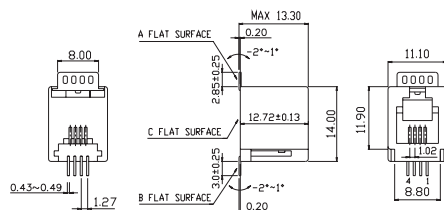
P/N	Color	Feature 1	Feature 2	EAN
AJT43C6642-001	black	4 port	6P/6C	4250184163688



AJS55A

- PC board jack, RJ11, unshielded
- single port, top entry, with 4 contacts
- solderable (SMT), color black
- L x W x H 14.00 mm x 11.10 mm x 12.72 mm
- top latch

Dimensional drawing



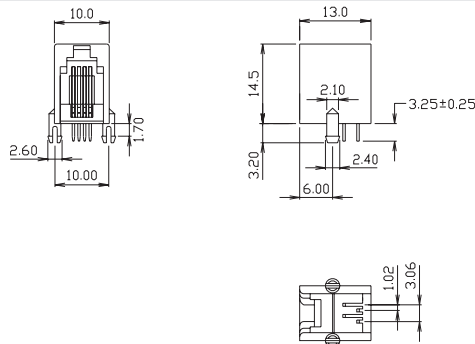
P/N	Color	Feature 1	Feature 2	EAN
AJS55A4411	black	6 μm Au		4250184163695



AJT87A

- PC board jack, RJ11, unshielded
- single port, side entry, with 4 contacts
- solderable, color black
- L x W x H 13.00 mm x 10.00 mm x 14.50 mm
- top latch

Dimensional drawing



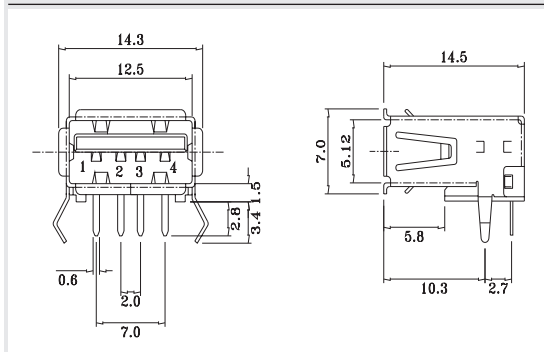
P/N	Color	Feature 1	Feature 2	EAN
AJT87A4411	black	6 μ" Au		4250184163718



AJT21G

- PC board jack, USB A, shielded
- single port, side entry, with 4 contacts
- solderable, color metal
- L x W x H 14.50 mm x 14.30 mm x 7.00 mm

Dimensional drawing



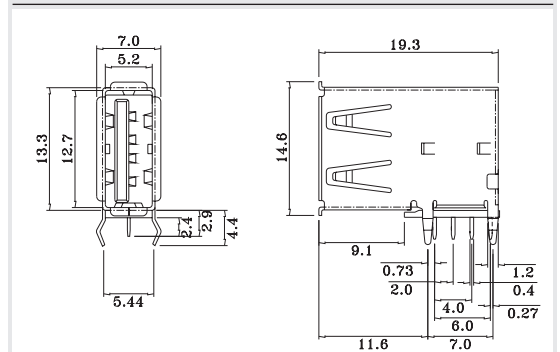
P/N	Color	Feature 1	Feature 2	EAN
AJT21G4413-001	metallike	30 μ" Au		4250184163756



AJT24G

- PC board jack, USB A, shielded
- single port, side entry, with 4 contacts
- solderable, color metal
- L x W x H 19.30 mm x 7.00 mm x 13.30 mm

Dimensional drawing



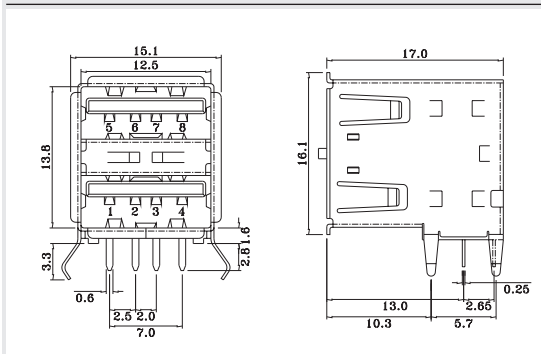
P/N	Color	Feature 1	Feature 2	EAN
AJT24G4413-001	metallike	30 μ" Au		4250184163817



AJT25G

- PC board jack, USB A, shielded
- multi port 2x1, side entry, with 4 contacts
- solderable, color metal
- L x W x H 17.00 mm x 15.10 mm x 13.80 mm

Dimensional drawing



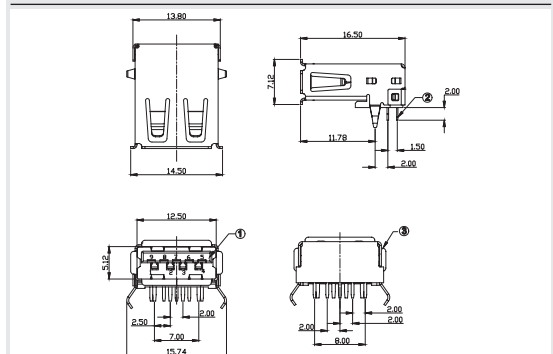
P/N	Color	Feature 1	Feature 2	EAN
AJT25G4423-001	metallike	30 μ" Au		4250184163824



AJT33G

- PC board jack, USB A, shielded
- single port, side entry, 9
- solderable, color metal
- L x W x H 16.5 mm x 13.9 mm x 7.12 mm

Dimensional drawing



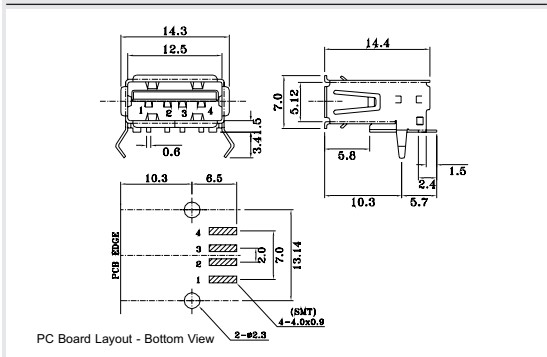
P/N	Color	Feature 1	Feature 2	EAN
AJT33G9913-001	metallike	30 μ" Au		4250184163831



AJS05G

- PC board jack, USB A, shielded
- single port, side entry, with 4 contacts
- solderable (SMT), color metal
- L x W x H 14.4 mm x 14.3 mm x 7.0 mm

Dimensional drawing



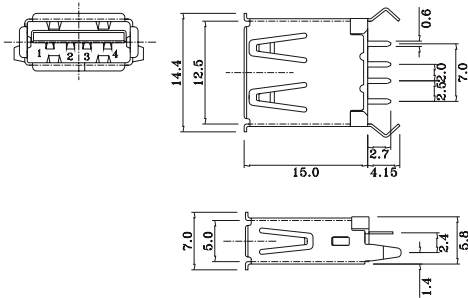
P/N	Color	Feature 1	Feature 2	EAN
AJS05G4413-001	metallike			4250184163848
AJS05G4413-005	metallike			4250184163855



AJT20G

- PC board jack, USB A, shielded
- single port, top entry, with 4 contacts
- solderable, color metal
- L x W x H 15.00 mm x 14.40 mm x 7.00 mm

Dimensional drawing



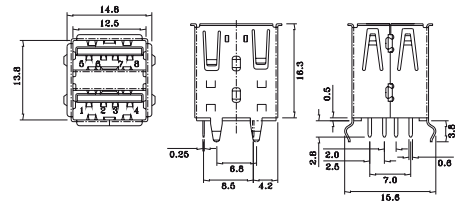
P/N	Color	Feature 1	Feature 2	EAN
AJT20G4413-001	metallike	30 μ" Au		4250184163886



AJT27G

- PC board jack, USB A, shielded
- multi port 2x1, top entry, with 4 contacts
- solderable, color metal
- L x W x H 13.80 mm x 14.80 mm x 16.30 mm

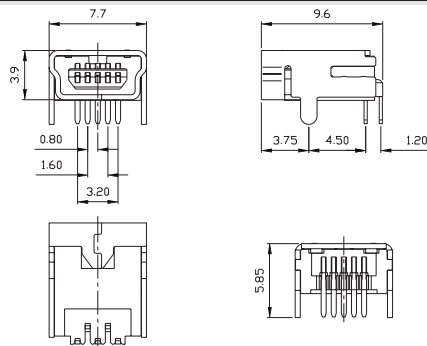
Dimensional drawing



P/N	Color	Feature 1	Feature 2	EAN
AJT27G4423-001	metallike	30 μ" Au		4250184163893

**AJT29G**

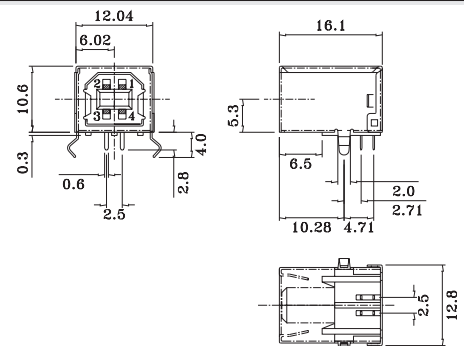
- PC board jack, Mini USB B, shielded
- single port, side entry, with 5 contacts
- solderable, color metal
- L x W x H 9.60 mm x 7.70 mm x 3.90 mm

Dimensional drawing

P/N	Color	Feature 1	Feature 2	EAN
AJT29G5513-001	metallike	30 μ Au		4250184163909

**AJT30G**

- PC board jack, USB B, shielded
- single port, side entry, with 4 contacts
- solderable, color metal
- L x W x H 16.10 mm x 12.04 mm x 10.60 mm

Dimensional drawing

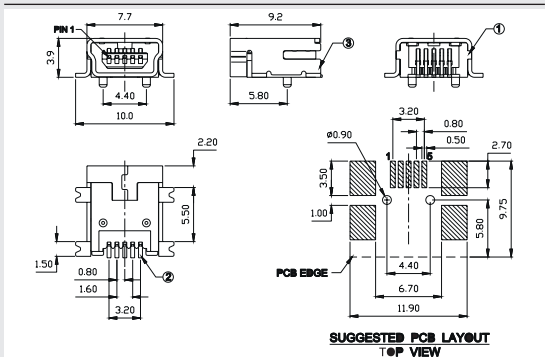
P/N	Color	Feature 1	Feature 2	EAN
AJT30G4413-001	metallike	30 μ Au		4250184163916
AJT30G4413-002	metallike	30 μ Au		4250184163923



AJS08G

- PC board jack, Mini USB B, shielded
- single port, side entry, with 5 contacts
- solderable (SMT), color metal
- L x W x H 9.20 mm x 7.70 mm x 3.90 mm

Dimensional drawing



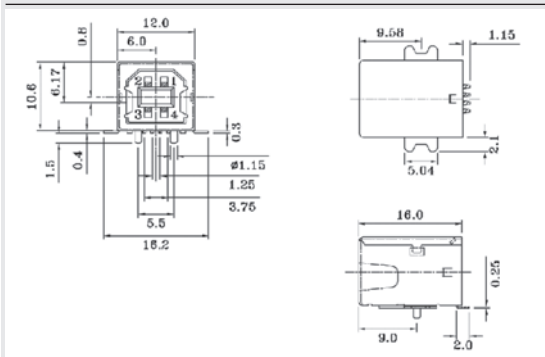
P/N	Color	Feature 1	Feature 2	EAN
AJS08G5513-001	metallike	30 μ" Au		4250184163947



AJS09G

- PC board jack, Mini USB B, shielded
- single port, side entry, with 4 contacts
- solderable (SMT)
- L x W x H 16.00 mm x 12 mm x 10.6 mm

Dimensional drawing



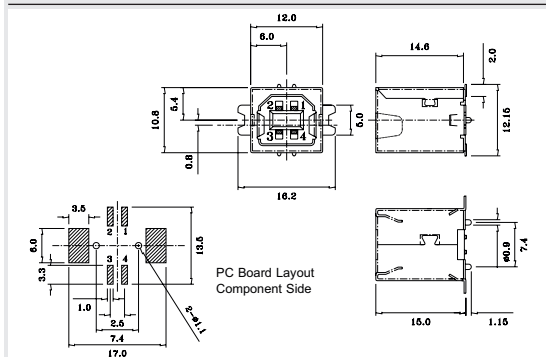
P/N	Color	Feature 1	Feature 2	EAN
AJS09G4413-001		30 μ" Au		4250184163985



AJS10G

- PC board jack, USB B, shielded
- single port, top entry, with 4 contacts
- solderable (SMT), color metal
- L x W x H 14.60 mm x 12.00 mm x 10.80 mm
- Variants: 30 μm Au Tray Packing, 30 μm Au Tape & Reel with Mylar Tape

Dimensional drawing



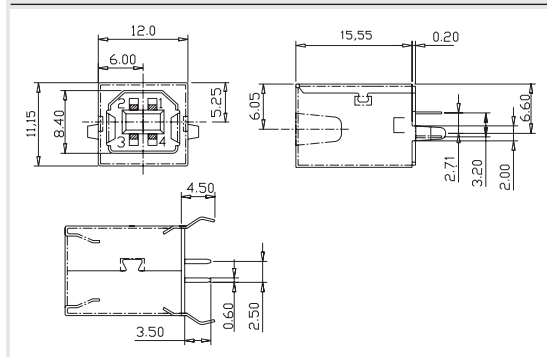
P/N	Color	Feature 1	Feature 2	EAN
AJS10G4413-001	metallike	Tray Packing		4250184164005
AJS10G4413-301	metallike	Tape & Reel	Mylar Tape	4250184164012



AJT14G

- PC board jack, USB B, shielded
- single port, top entry, with 4 contacts
- solderable, color metal
- L x W x H 11.15 mm x 12.00 mm x 15.55 mm

Dimensional drawing



P/N	Color	Feature 1	Feature 2	EAN
AJT14G4413-001	metallike	30 μm Au		4250184164029

PC board jacks Ethernet M12

1	Overview Female connectors Ethernet M12	274
2	Ethernet M12	277

Ethernet M12 PC board jacks

Description

The Ethernet M12 plug is an industrial plug that is used for the field level and for industrial Ethernet. It is a round plug connection with metric thread that has been developed in several versions and codings for different protection classes.

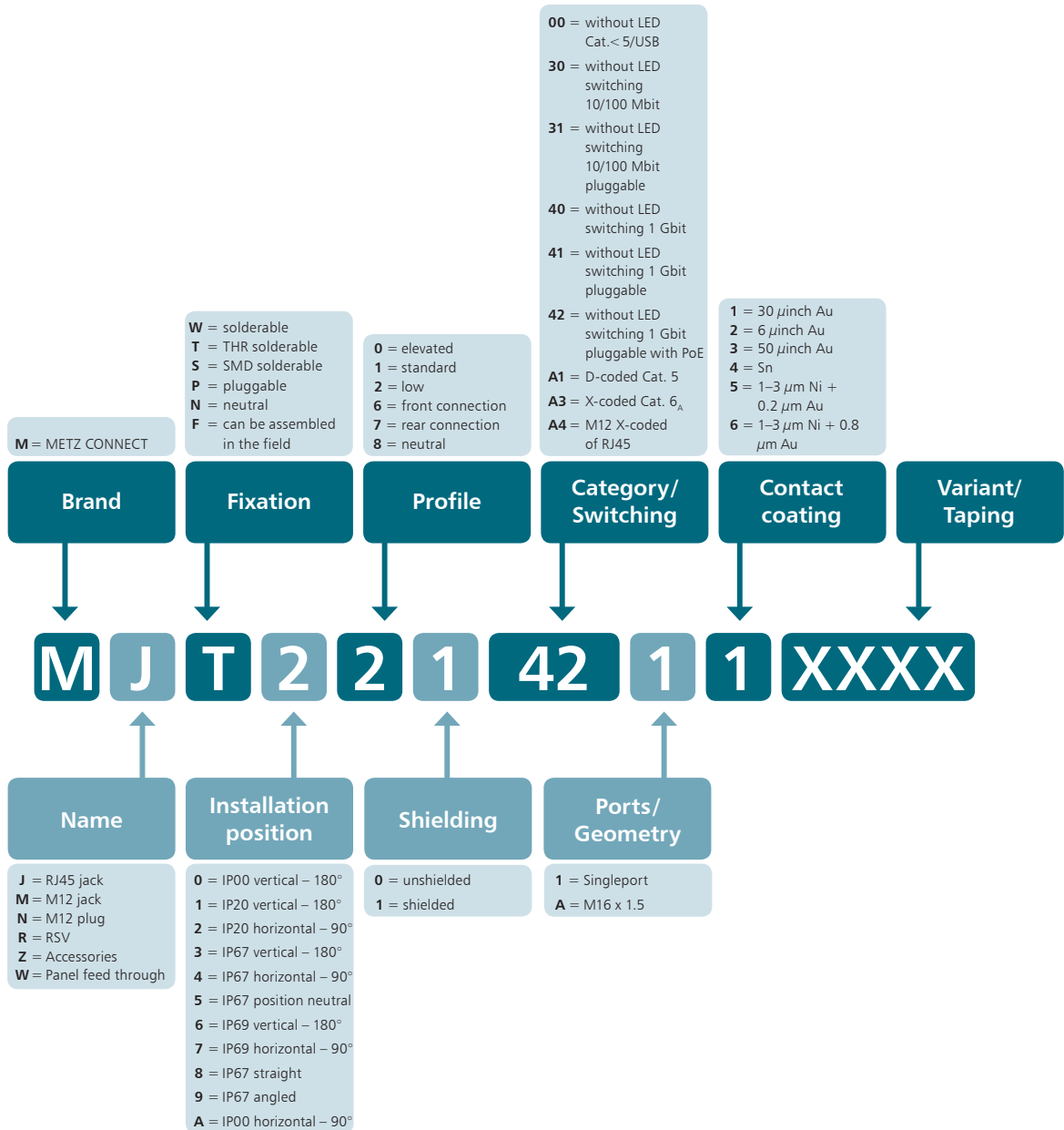
For applications in the electrically sensitive environment, fully shielded EMV-compliant versions are available. Here, the contact carrier is surrounded by a metallic shield sleeve that is connected firstly to the cable screen and secondly to the locking screw. This ensures that the shield connection is guided to the device housing via the plug connector. In addition, another feature is the high mechanical rigidity and resistance to mechanical influences and vibrations.



The plug connectors of this product series with a metric 12 mm thread are used today around the world in the area of automation and sensor technology. They are used for the transmission of data and signals.

Please note the new, structured and user-friendly product key for plug connectors. The new system describes the products according to their characteristics and thus creates transparency in the ordering and logistics processes.

Product key Ethernet M12 PC board jacks



PC board jacks Ethernet M12

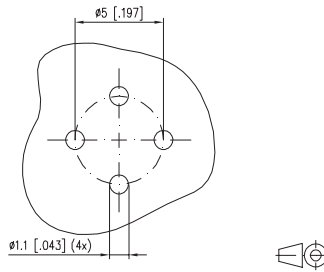
U | Contact



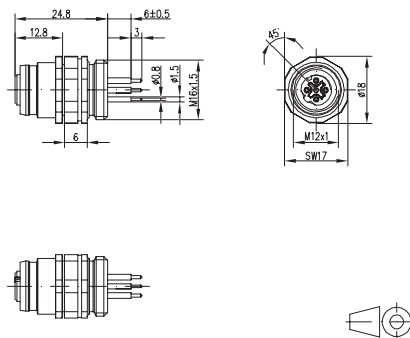
MMW360A1A1

- Ethernet M12 female connector for PC boards
- 4-pole, D-coded as per IEC 61076-02-101
- solderable
- front mounting
- green PC board insert for THR

Drill pattern



Dimensional drawing



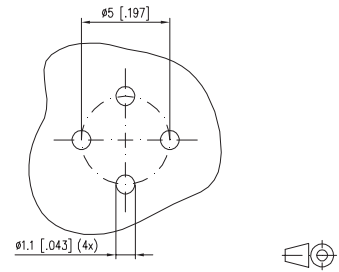
P/N	Color	Feature 1	Feature 2	EAN
MMW360A1A1	metallike	D-coded		4250184143116



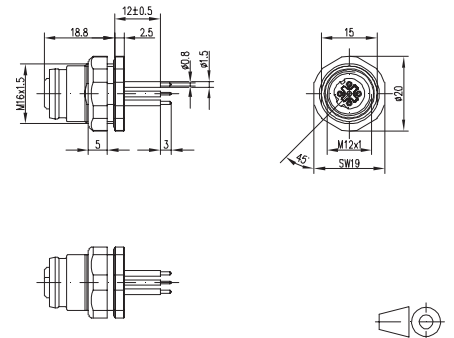
MMW370A1A1

- Ethernet M12 female connector for PC boards
- 4-pole, D-coded as per IEC 61076-02-101
- solderable
- through hole mounting
- green PC board insert for THR

Drill pattern



Dimensional drawing



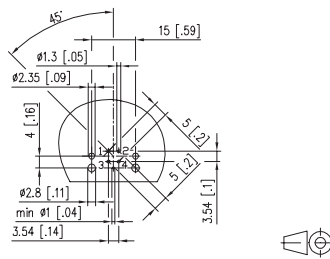
P/N	Color	Feature 1	Feature 2	EAN
MMW370A1A1	metallike	D-coded		4250184142584



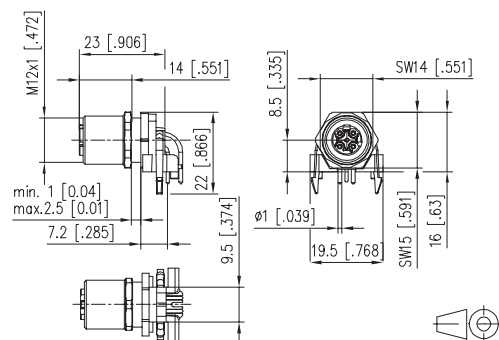
MMT471A115

- Ethernet M12 jack for PC boards
- 4-pole, D-coded as per IEC 61076-02-101
- angled 90°
- solderable THR
- side entry
- protection degree IP67 in mated condition
- Variants: suitable for a wall thickness up to 2.5 mm, up to 4 mm, up to 5 mm

Drill pattern



Dimensional drawing



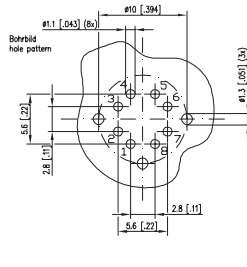
P/N	Color	Feature 1	Feature 2	EAN
MMT471A115	metallike	D-coded 90°	< 2.5 mm	4250184187967
MMT471A115-0001	metallike	D-coded 90°	< 4 mm	4250184187974
MMT471A115-0002	metallike	D-coded 90°	< 5 mm	4250184187981



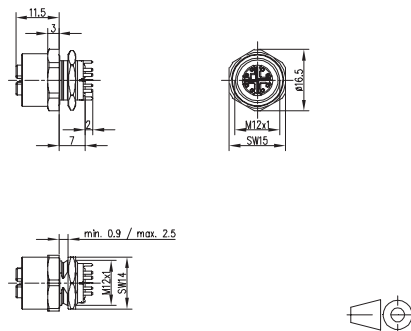
MMT361A315

- Ethernet M12 jack Cat.6_A for PC boards
- 8-pole, X-coded as per IEC 61076-02-109
- for 10 GBit Ethernet (IEEE 802.3an)
- solderable, THR
- top entry
- green PC board insert

Drill pattern



Dimensional drawing



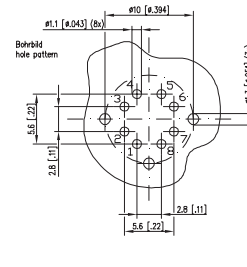
P/N	Color	Feature 1	Feature 2	EAN
MMT361A315	metallike	X-coded		4250184154891
MMT361A315-0001	metallike	X-coded	in individual parts	4250184154907



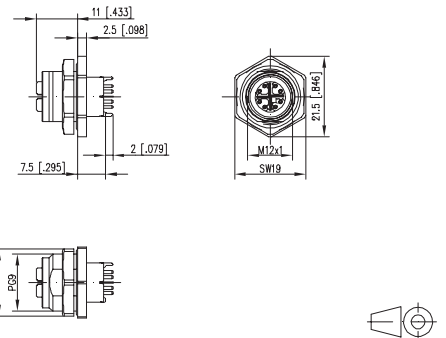
MMT371A3B5

- Ethernet M12 jack Cat.6_A for PC boards
- 8-pole, X-coded as per IEC 61076-02-109
- rear wall mounting
- for 10 GBit Ethernet (IEEE 802.3an)
- solderable, THR
- top entry
- protection degree IP67 in mated condition

Drill pattern



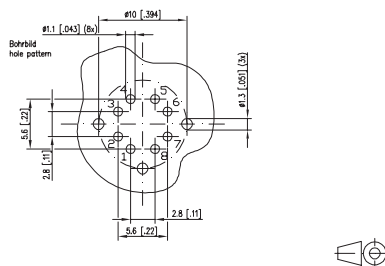
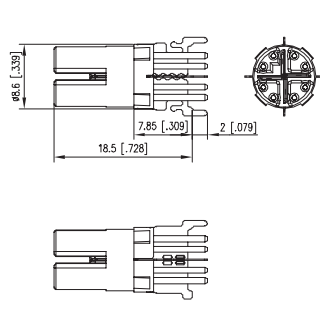
Dimensional drawing



P/N	Color	Feature 1	Feature 2	EAN
MMT371A3B5	metallike	X-coded		4250184158493
MMT371A3B5-0001	metallike	X-coded	in individual parts	4250184158509

**MMT060A315**

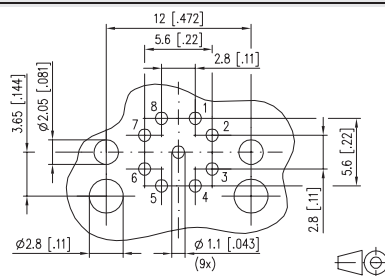
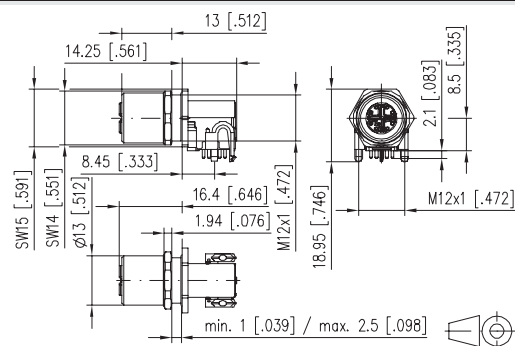
- Ethernet M12 jack insert for PC boards
- 8-pole, X-coded as per IEC 61076-02-109
- for 10 GBit Ethernet (IEEE 802.3an)
- solderable (THR)
- top entry
- variants: green or black PC board insert

Drill pattern**Dimensional drawing**

P/N	Color	Feature 1	Feature 2	EAN
MMT060A315	metallike	X-coded		4250184155256
MMT060A315-0001	black	X-coded		4250184158479

**MMT471A315**

- Ethernet M12 jack Cat. 6_A for PC boards
- 8-pole, X-coded as per IEC 61076-02-109
- angled 90°
- for 10 GBit Ethernet (IEEE 802.3an)
- solderable THR
- side entry
- protection degree IP67 in mated condition
- variants: suitable for a wall thickness up to 2.5 mm, up to 4 mm, up to 5 mm

Drill pattern**Dimensional drawing**

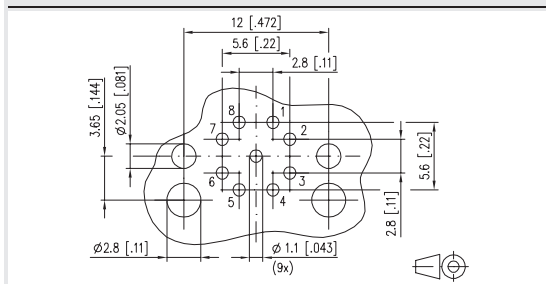
P/N	Color	Feature 1	Feature 2	EAN
MMT471A315	metallike	X-coded 90°	< 2.5 mm	4250184169475
MMT471A315-0001	metallike	X-coded 90°	< 4 mm	4250184169482
MMT471A315-0002	metallike	X-coded 90°	< 5 mm	4250184169499



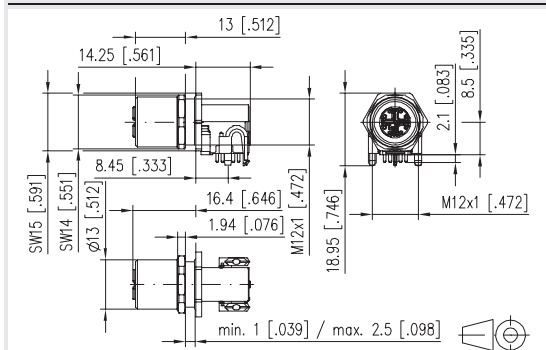
MMT471A315 in individual parts

- Ethernet M12 jack Cat.6_A for PC boards
- 8-pole, X-coded as per IEC 61076-02-109
- angled 90°
- for 10 GBit Ethernet (IEEE 802.3an)
- solderable THR
- side entry
- protection degree IP67 in mated condition
- in individual parts
- variants: suitable for a wall thickness up to 2.5 mm, up to 4 mm, up to 5 mm

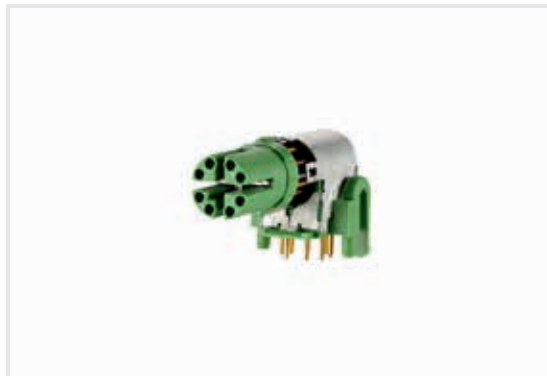
Lochbild



Maßzeichnung



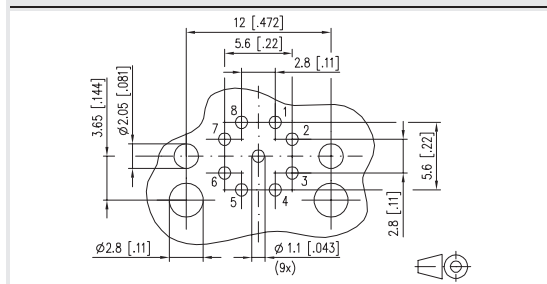
P/N	Color	Feature 1	Feature 2	EAN
MMT471A315-0003	metallike	X-coded 90°	< 2.5 mm, in individual parts	4250184169505
MMT471A315-0004	metallike	X-coded 90°	< 4 mm, in individual parts	4250184169512
MMT471A315-0005	metallike	X-coded 90°	< 5 mm, in individual parts	4250184169529



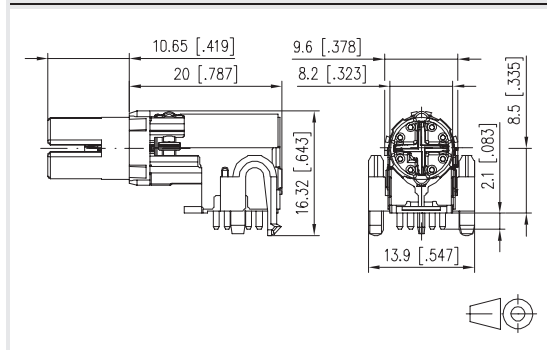
MMTA70A315

- Ethernet M12 jack insert for PC boards 90°
- 8-pole, X-coded as per IEC 61076-02-109
- for 10 GBit Ethernet (IEEE 802.3an)
- solderable (THR)
- side entry
- green PC board insert

Lochbild



Maßzeichnung



P/N	Color	Feature 1	Feature 2	EAN
MMTA70A315	metallike	X-coded	90°	4250184169598

PC board jacks Ethernet M12









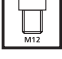















U | Contact

Accessories

1	for terminal blocks	285
2	for pin headers	295
3	Screwdriver	299

Symbol Definition

Guiding icons

	Spring clamp terminal block		Wire protector
	IDC terminal block		modular
	Screw type terminal block		Pin header for vertical mounting
	Pin header		Shrouded pin header for vertical mounting
	Female connector		Pin header with open ends for vertical mounting
	Ethernet M12		Pin header with closed ends for vertical mounting
	solderable		Pin header for horizontal mounting
	pluggable		Shrouded pin header for horizontal mounting
	Centerline		Pin header with open ends for horizontal mounting
	Wire entry 90°		Pin header with closed ends for horizontal mounting
	Diagonal wire entry		designed for THR
	Wire entry 0°		designed for SMT
	Lift system		Tape & Reel possible

Mounting flange 710084 | right is matching accessory for

	Page
RP025xxIBWC (Type 007)	108
RP029xxIBWC (Type 007)	123
RP025xxHBWC (Type 107)	109
RP025xxMBWC (Type 108)	109

Mounting flange 710085 | left is matching accessory for

	Page
RP025xxIBWC (Type 007)	108
RP029xxIBWC (Type 007)	123
RP025xxHBWC (Type 107)	109
RP025xxMBWC (Type 108)	109

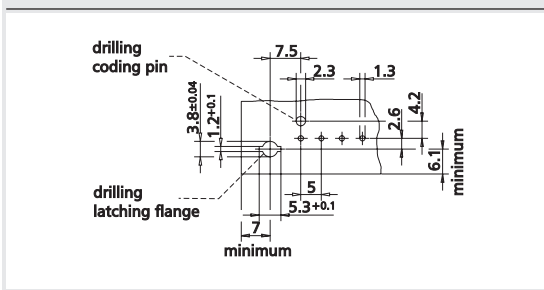


Mounting flange 710084 | right

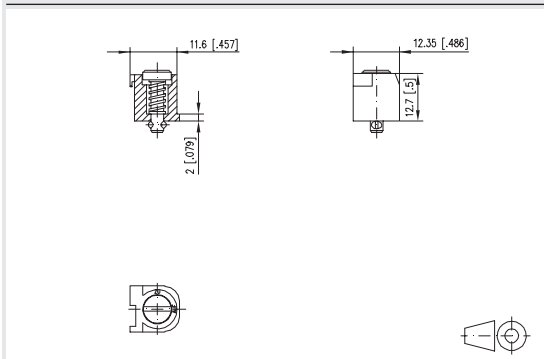
- The latching flanges are attached to the side of the terminal block and secured to the printed circuit board with a quarter turn of the screw
- Latching flanges for left and right side are necessary for mounting.
- Variants: 710084 right, 710085 left

Color black

Cut-out



Dimensional drawing



P/N	Color	Feature 1	Feature 2	
710084	black			

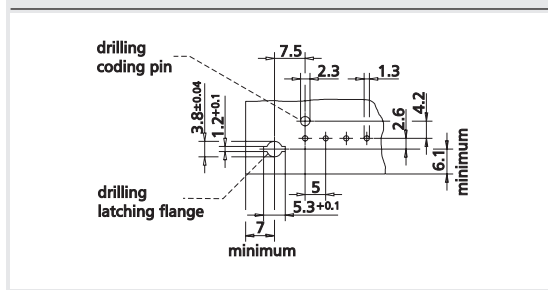


Mounting flange 710085 | left

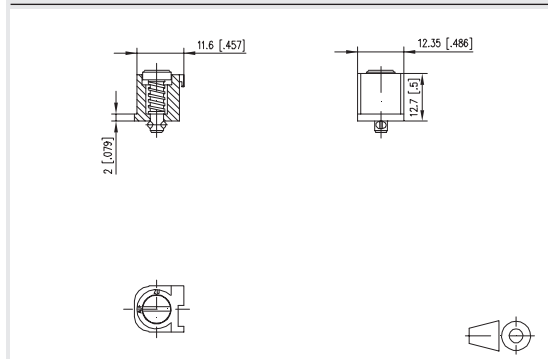
- The latching flanges are attached to the side of the terminal block and secured to the printed circuit board with a quarter turn of the screw
- Latching flanges for left and right side are necessary for mounting.
- Variants: 710084 right, 710085 left

Color black

Cut-out



Dimensional drawing



P/N	Color	Feature 1	Feature 2	
710085	black			

Mounting flange 750150 | right is matching accessory for

	Page
RP025xxlBWU (Type 077)	108
RP026xxlBWU (Type 079)	118

Mounting flange 750151 | left is matching accessory for

	Page
RP025xxlBWU (Type 077)	108
RP026xxlBWU (Type 079)	118



Mounting flange 750150 | right

- The mounting flanges are attached to the side of the terminal block and secured to the printed circuit board by the tightening of the screw
- Mounting flanges for left and right side are necessary for mounting.
- Variants: 750150 right, 750151 left

Color black

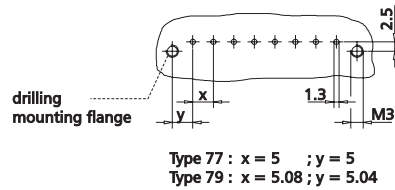


Mounting flange 750151 | left

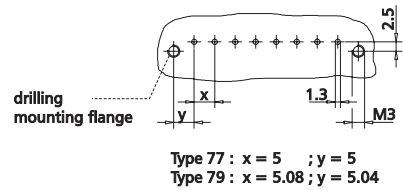
- The mounting flanges are attached to the side of the terminal block and secured to the printed circuit board by the tightening of the screw
- Mounting flanges for left and right side are necessary for mounting.
- Variants: 750150 right, 750151 left

Color black

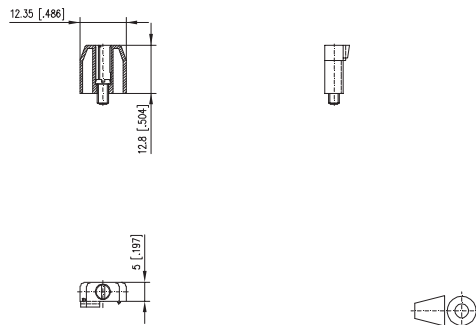
Cut-out



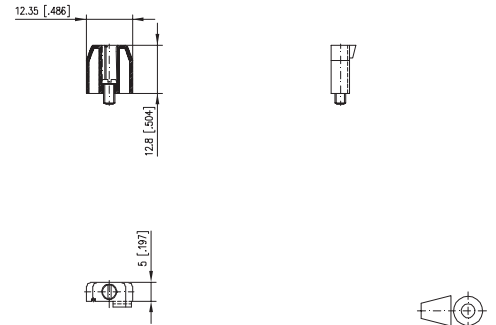
Cut-out



Dimensional drawing



Dimensional drawing



P/N	Color	Feature 1	Feature 2	
750150	black			

P/N	Color	Feature 1	Feature 2	
750151	black			

Mounting flange 750313 | right is matching accessory for

	Page
RP025xxIBLC (Type 137)	110
RP025xxHBLC (Type 207)	110

Mounting flange 750314 | left is matching accessory for

	Page
RP025xxIBLC (Type 137)	110
RP025xxHBLC (Type 207)	110



Mounting flange 750313 | right

- The mounting flanges are attached to the side of the terminal block and secured to the printed circuit board by the tightening of the screw
- Mounting flanges for left and right side are necessary for mounting.
- Variants: 750313 right, 750314 left

Color black

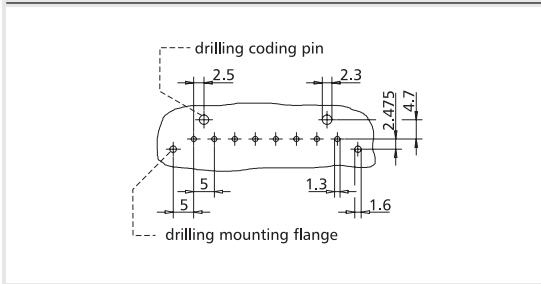


Mounting flange 750314 | left

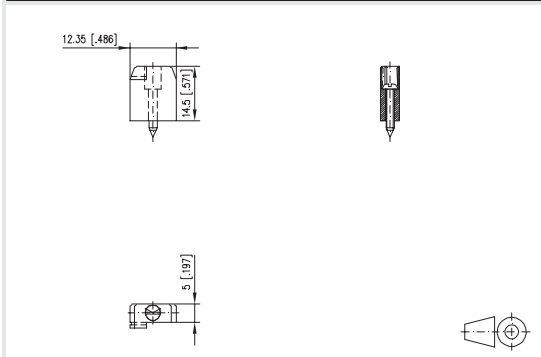
- The mounting flanges are attached to the side of the terminal block and secured to the printed circuit board by the tightening of the screw
- Mounting flanges for left and right side are necessary for mounting.
- Variants: 750313 right, 750314 left

Color black

Cut-out

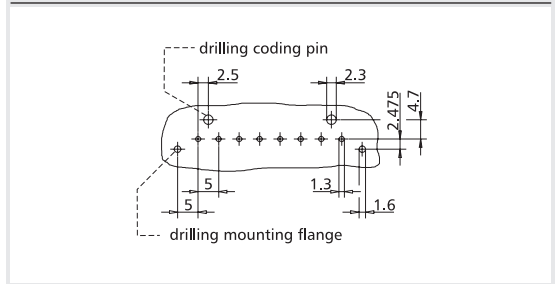


Dimensional drawing

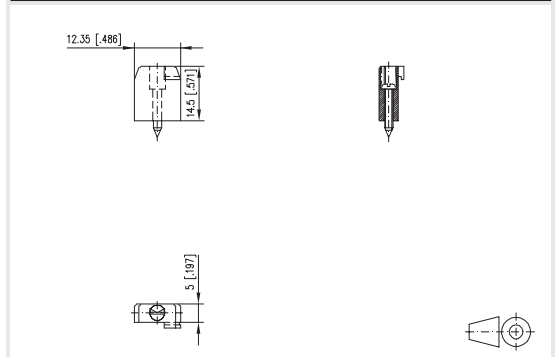


P/N	Color	Feature 1	Feature 2	
750313	black			

Cut-out



Dimensional drawing



P/N	Color	Feature 1	Feature 2	
750314	black			

Mounting flange 720158 | lock depth 1 mm is matching accessory for

	Page
RP023xxHBNF (Type 165)	100
RP023xxHBWC (Type 166)	100

Mounting flange 720158 | lock depth 1.5 mm is matching accessory for

	Page
RP023xxHBNF (Type 165)	100
RP023xxHBWC (Type 166)	100

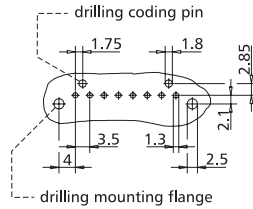


Mounting flange 720158 | lock depth 1 mm

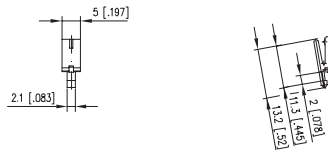
- The mounting flange is inserted into the groove in the side of the terminal block and secured to the printed circuit board by being press fit into the hole in the printed circuit board
- Mounting flanges for left and right side are necessary for mounting.
- Variants: 720158-01-2 black for pc board 1.00 mm / 0.039 inches, 720158-02-2 black for pc board 1.50 mm / 0.059 inches

Color black

Cut-out



Dimensional drawing



P/N	Color	Feature 1	Feature 2		
720158-01-2	black	Lock depth: 1 mm			

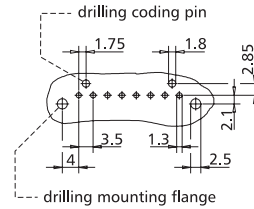


Mounting flange 720158 | lock depth 1.5 mm

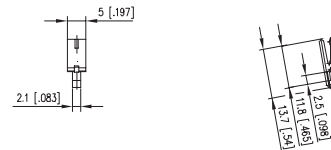
- The mounting flange is inserted into the groove in the side of the terminal block and secured to the printed circuit board by being press fit into the hole in the printed circuit board
- Mounting flanges for left and right side are necessary for mounting.
- Variants: 720158-01-2 black for pc board 1.00 mm / 0.039 inches, 720158-02-2 black for pc board 1.50 mm / 0.059 inches

Color black

Cut-out



Dimensional drawing



P/N	Color	Feature 1	Feature 2		
720158-02-2	black	Lock depth: 1.5 mm			

Mounting flange 720036 |
lock depth 1 mm is
matching accessory for

SP025xxHDNC (ASP025) Page
52

Mounting flange 720036 |
lock depth 1.5 mm is
matching accessory for

SP025xxHDNC (ASP025) Page
52

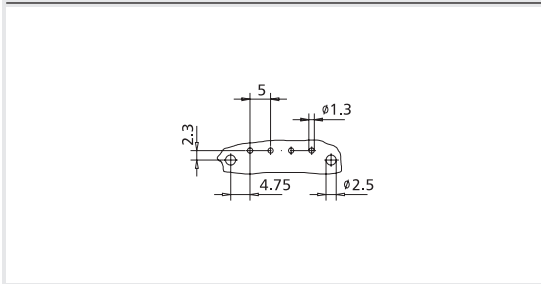


Mounting flange 720036 | lock depth 1 mm

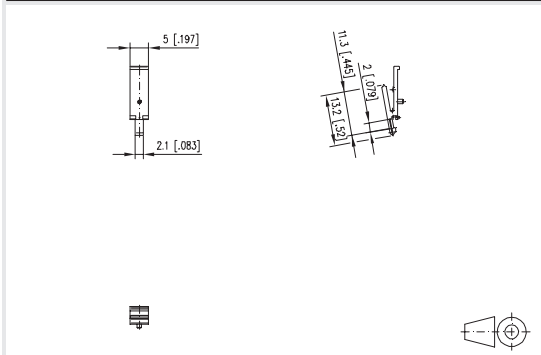
- The mounting flange is inserted into the mounting hole in the side of the terminal block and secured to the printed circuit board by being press fit into the hole in the printed circuit board
- Mounting flanges for left and right side are necessary for mounting.
- Variants: 720036-01-4 gray for pc board 1.0 mm / 0.039 inches, 720036-02-2 black for pc board 1.50 mm / 0.059 inches

Color gray

Cut-out



Dimensional drawing



P/N	Color	Feature 1	Feature 2		
720036-01-4	gray	Lock depth: 1 mm			

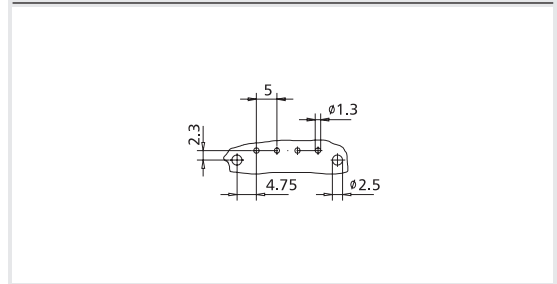


Mounting flange 720036 | lock depth 1.5 mm

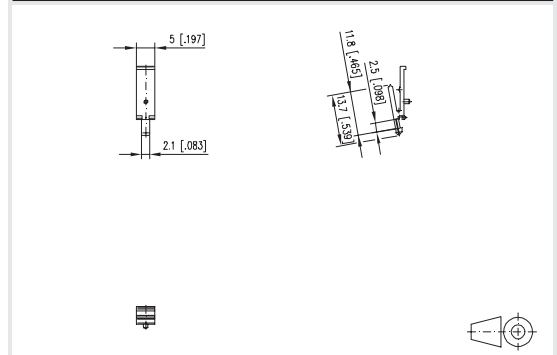
- The mounting flange is inserted into the mounting hole in the side of the terminal block and secured to the printed circuit board by being press fit into the hole in the printed circuit board
- Mounting flanges for left and right side are necessary for mounting.
- Variants: 720036-01-4 gray for pc board 1.0 mm / 0.039 inches, 720036-02-2 black for pc board 1.50 mm / 0.059 inches

Color black

Cut-out



Dimensional drawing



P/N	Color	Feature 1	Feature 2		
720036-02-2	black	Lock depth: 1.5 mm			

Coding pin 710121 | short
is matching accessory for

	Page
RP025xxIBWC (Type 007)	108
RP029xxIBWC (Type 007)	123
RP025xxIBWU (Type 077)	108
RP026xxIBWU (Type 079)	118
RP025xxHBWC (Type 107)	109
RP025xxMBWC (Type 108)	109

Coding pin 710122 | long
is matching accessory for

	Page
RP025xxIBWC (Type 007)	108
RP029xxIBWC (Type 007)	123
RP025xxIBWU (Type 077)	108
RP026xxIBWU (Type 079)	118
RP025xxHBWC (Type 107)	109
RP025xxMBWC (Type 108)	109

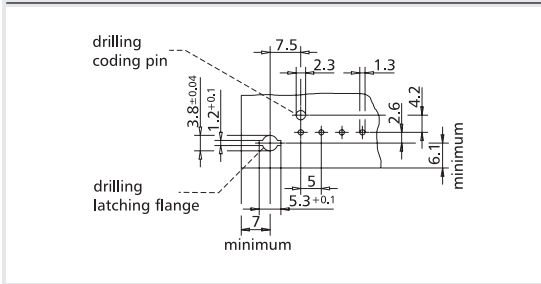


Coding pin 710121 | short

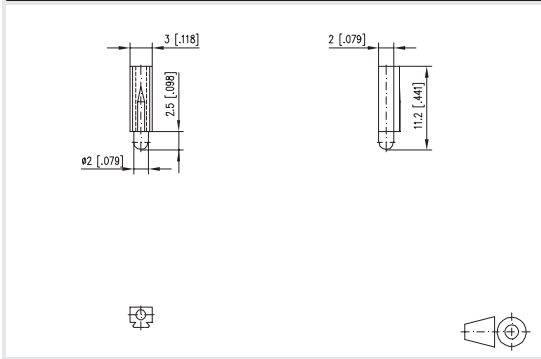
- The coding pin is inserted into the groove in the back of the terminal block
- This method of coding does not result in any circuit loss
- Variants: 710121-2 short, 710122-2 long

Color black

Cut-out



Dimensional drawing



P/N	Color	Feature 1	Feature 2
710121-2	black		

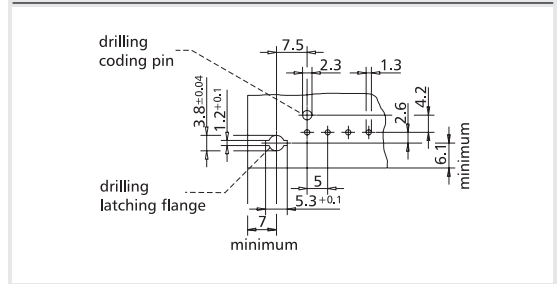


Coding pin 710122 | long

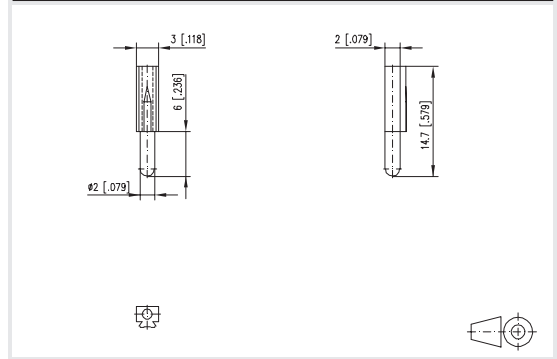
- The coding pin is inserted into the groove in the back of the terminal block
- This method of coding does not result in any circuit loss
- Variants: 710121-2 short, 710122-2 long

Color black

Cut-out



Dimensional drawing



P/N	Color	Feature 1	Feature 2
710122-2	black		

Coding pin 720159 | short is matching accessory for

	Page
RP023xxHBNF (Type 165)	100
RP023xxHBWC (Type 166)	100
RP025xxHBLC (Type 207)	110

Coding pin 720159 | long is matching accessory for

	Page
RP023xxHBNF (Type 165)	100
RP023xxHBWC (Type 166)	100
RP025xxHBLC (Type 207)	110

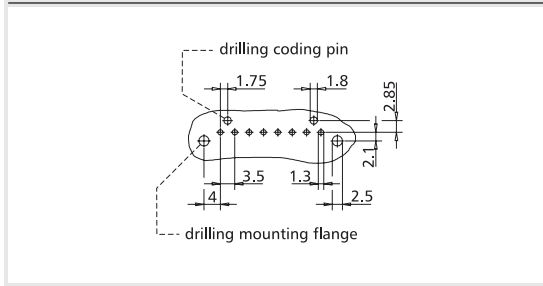


Coding pin 720159 | short

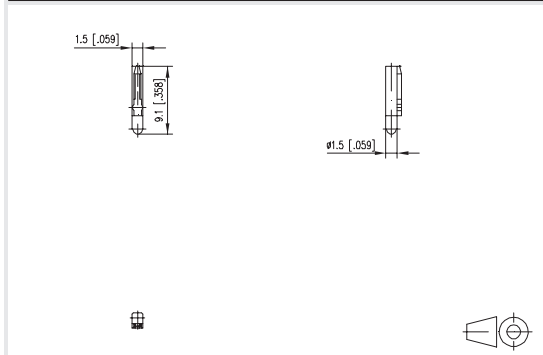
- The coding pin is inserted into the groove in the back of the terminal block
- This method of coding does not result in any circuit loss
- Variants: 720159-01-2 short, 720159-02-2 long

Color black

Cut-out



Dimensional drawing



P/N	Color	Feature 1	Feature 2		
720159-01-2	black				

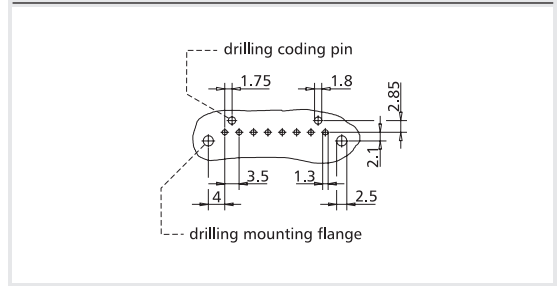


Coding pin 720159 | long

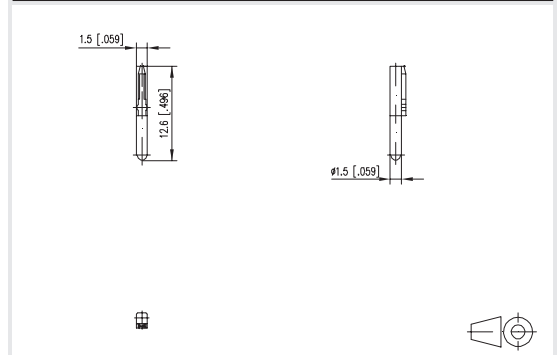
- The coding pin is inserted into the groove in the back of the terminal block
- This method of coding does not result in any circuit loss
- Variants: 720159-01-2 short, 720159-02-2 long

Color black

Cut-out



Dimensional drawing



P/N	Color	Feature 1	Feature 2		
720159-02-2	black				

Coding pin 720161 | short
is matching accessory for

RP025xxIBLC (Type 137) Page 110

Coding pin 720161 | long
is matching accessory for

RP025xxIBLC (Type 137) Page 110

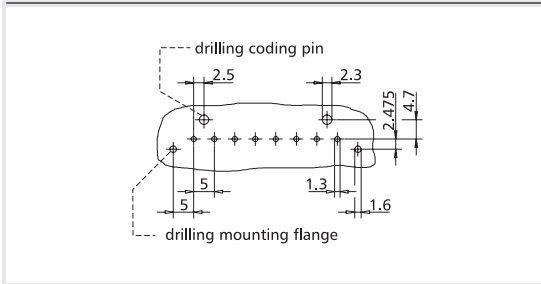


Coding pin 720161 | short

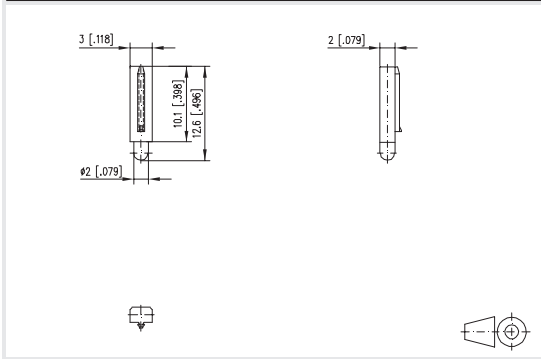
- The coding pin is inserted into the groove in the back of the terminal block
- This method of coding does not result in any circuit loss
- Variants: 720161-01-2 short, 720161-02-2 long

Color black

Cut-out



Dimensional drawing



P/N	Color	Feature 1	Feature 2		
720161-01-2	black				

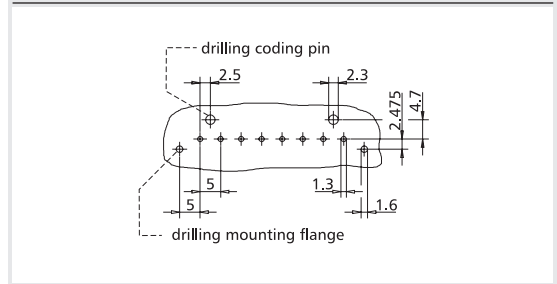


Coding pin 720161 | long

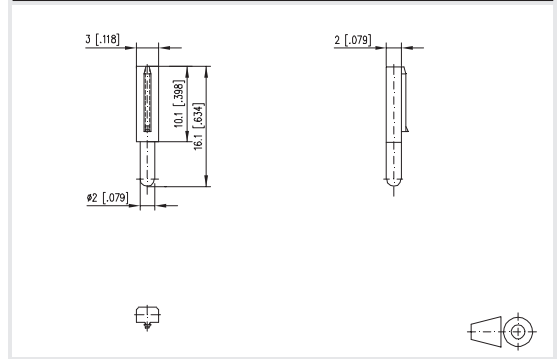
- The coding pin is inserted into the groove in the back of the terminal block
- This method of coding does not result in any circuit loss
- Variants: 720161-01-2 short, 720161-02-2 long

Color black

Cut-out



Dimensional drawing



P/N	Color	Feature 1	Feature 2		
720161-02-2	black				

Coding pin 716846 | blue is matching accessory for

	Page
RP025xxIBWC (Type 007)	108
RP029xxIBWC (Type 007)	123
RP025xxIBWU (Type 077)	108
RP026xxIBWU (Type 079)	118
RP025xxHBWC (Type 107)	109
RP025xxMBWC (Type 108)	109
RP025xxIBLC (Type 137)	110

Coding pin 716906 | orange is matching accessory for

	Page
RP015xxWBWC (Type 009)	112
RP015xxWBLC (Type 049)	113
RP019xxWBLC (Type 049)	123

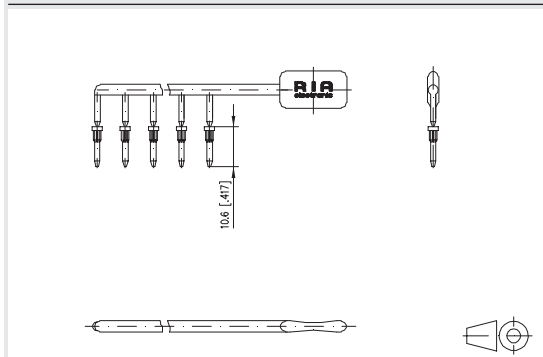


Coding pin 716846 | blue

- The coding pin is inserted into the mating area of the female contact (plug-in). The contact pin should be removed from the respective position of the header.
- This method of coding is associated with a circuit loss
- Group of 10 blue coding pins

Color blue

Dimensional drawing



P/N	Color	Feature 1	Feature 2
716846	blue		

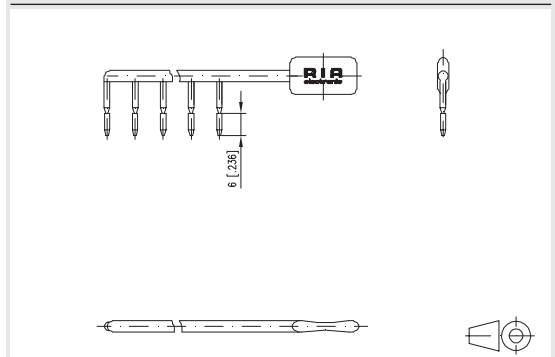


Coding pin 716906 | orange

- The coding pin is inserted into the mating area of the female contact (plug-in). The contact pin should be removed from the respective position of the header.
- This method of coding is associated with a circuit loss
- Group of 10 orange coding pins

Color orange

Dimensional drawing



P/N	Color	Feature 1	Feature 2
716906	orange		

Protection against accidental contact 711401 is matching accessory for

	Page
RT075xxHBLU (Type 092)	81
RT076xxHBLU (Type 093)	88

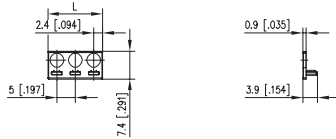


Protection against accidental contact 711401

- Cover for the lower circuit range of the Type RT075xxHBLU and RT076xxHBLU
- This provides additional protection against manual contact of the upper circuit line
- Variants: 711401-092-02-2 covers 2-pole, 711401-092-03-2 covers 3-pole

Color black

Dimensional drawing



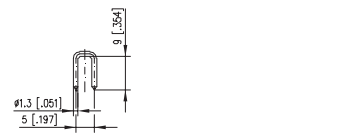
P/N	Color	Feature 1	Feature 2		
711401-092-02-2	black	2-pole			
711401-092-03-2	black	3-pole			



Jumper 711047

- The jumper may be used for all terminal blocks with centerline 5.00 mm / 0.197 inches and 5.08 mm / 0.200 inches

Dimensional drawing



P/N	Color	Feature 1	Feature 2		
711047					

LED light transmitter | Centerline 3.50 mm is matching accessory for

	Page
PT093xxHBBN (Type 342)	149
PT093xxHBBF (Type 394)	149

LED light transmitter | Centerline 3.81 mm is matching accessory for

	Page
PR044xxHBBN (Type 190)	155
PR044xxHBBF (Type 390)	155



LED light transmitter | Centerline 3.50 mm

- LED-light transmitter for headers, pluggable
- centerline 3.50 mm / 0.138 inches, height 8.20 mm / 0.323 inches
- 12 poles, dividable

Color clear

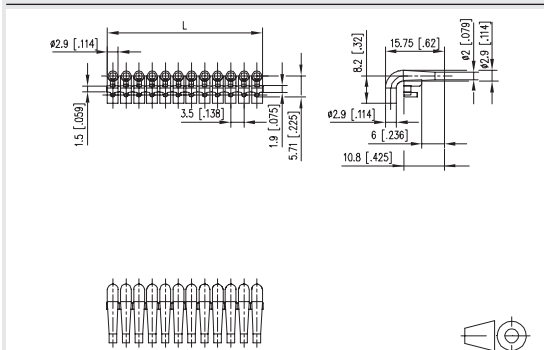


LED light transmitter | Centerline 3.81 mm

- LED-light transmitter for headers, pluggable
- centerline 3.81 mm / 0.150 inches, height 8.20 mm / 0.323 inches
- 12 poles, dividable

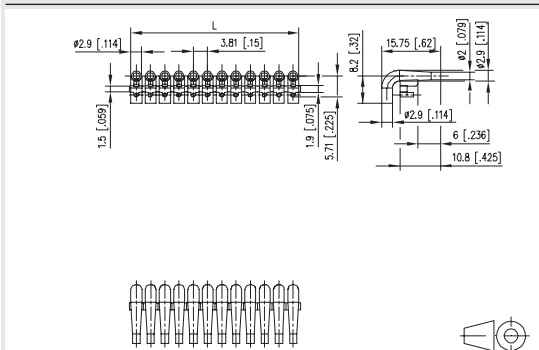
Color clear

Dimensional drawing



P/N	Color	Feature 1	Feature 2		
700353-01-1216	clear	height 8.2 mm			
700353-02-1216	clear	height 7.4 mm			
700353-03-1216	clear	height 5.7 mm			

Dimensional drawing



P/N	Color	Feature 1	Feature 2		
700333-01-1216	clear	height 8.2 mm			
700333-02-1216	clear	height 7.4 mm			
700333-03-1216	clear	height 5.7 mm			

Coding pin 720293 | black is matching accessory for

	Page
PR043xxHBBN (Type 188)	146
PR043xxVBBN (Type 189)	151
PR044xxHBBN (Type 190)	155
PR044xxVBBN (Type 191)	157
PT093xxHBBN (Type 342)	149
PT093xxVBBN (Type 343)	154
PT094xxHBBN (Type 382)	156
PT094xxVBBN (Type 383)	158
PT094xxHBBF (Type 392)	156
PT094xxVBBF (Type 393)	158
PR044xxHBBF (Type 390)	155
PR044xxVBBF (Type 391)	157
PR043xxHBBF (Type 388)	147
PR043xxVBBF (Type 389)	151
PT093xxHBBF (Type 394)	149

Coding pin 720243 | orange is matching accessory for

	Page
RP013xxVBWN (Type 169)	105
PT113xxHBBN (Type 182)	150
PT113xxVBBN (Type 183)	154



Coding pin 720293 | black

- The coding pin is inserted into the slots provided in the header. The terminal blocks mating these headers show a coding ridge which has to be removed.
- This method of coding does not result in any circuit loss
- Group of 6 black coding pins

Color black

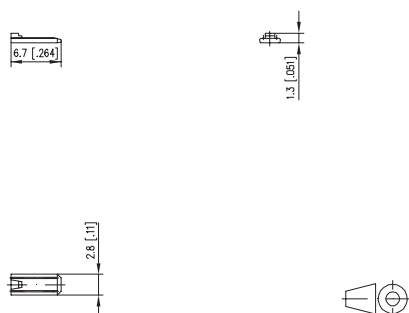


Coding pin 720243 | orange

- The coding pins are inserted into the slots provided in the terminal block and respective header
- This method of coding does not result in any circuit loss. Please refer to the drawing below for further details.
- Variants: 720243-01-3 with 6 coding pins orange left; 720243-02-3 with 6 coding pins orange right, 720243-01-4 6 with 6 coding pins gray left, 720243-02-4 with 6 coding pins gray right

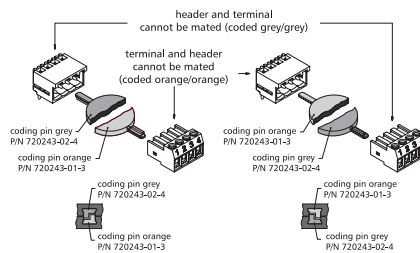
Color orange

Dimensional drawing

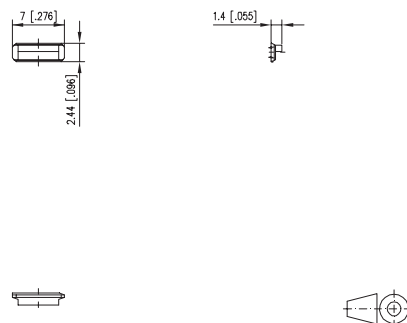


P/N	Color	Feature 1	Feature 2
720293-01-2	black		

Picture



Dimensional drawing



P/N	Color	Feature 1	Feature 2
720243-01-3	orange		
720243-02-3	orange		

Coding pin 700024 | white
| Pin header is matching accessory for

	Page
PR065xxHBBN (Type 176)	159
PR065xxVBBN (Type 177)	169
PR066xxHBBN (Type 178)	176
PR066xxVBBN (Type 179)	182
PT116xxVBEC (Type 219)	183
PT11AxxVBEC (Type 219)	193
PT116xxVBBN (Type 220)	184
PT11AxxVBBN (Type 220)	194
PT116xxHBEC (Type 229)	177
PT11AxxHBEC (Type 229)	192
PT116xxHBBN (Type 230)	178
PT11AxxHBBN (Type 230)	192
PT116xxVBBF (Type 235)	184
PT11AxxVBBF (Type 235)	194
PT116xxHBBF (Type 236)	178
PT118xxVBEC (Type 263)	187
PT118xxVBBEC (Type 264)	187
PT118xxHBEC (Type 265)	186
PT118xxHBBEC (Type 266)	186
PT115xxVBEC (Type 319)	173
PT115xxVBBN (Type 320)	174
PT119xxVBBN (Type 320)	190
PT115xxHBEC (Type 329)	164
PT115xxHBBN (Type 330)	164
PT115xxVBBF (Type 335)	174
PT119xxVBBF (Type 335)	191
PT115xxHBBF (Type 336)	165
PT119xxHBBF (Type 336)	189
PR075xxHBEL (Type 337)	160
PR075xxHBER (Type 338)	161
PR065xxHBEC (Type 476)	159
PR065xxVBEC (Type 477)	169
PR066xxHBEC (Type 478)	176
PR066xxVBEC (Type 479)	182
PR065xxHBBF (Type 396)	160
PR065xxVBBF (Type 397)	170
PR066xxHBBF (Type 398)	181
PR066xxVBBF (Type 399)	181

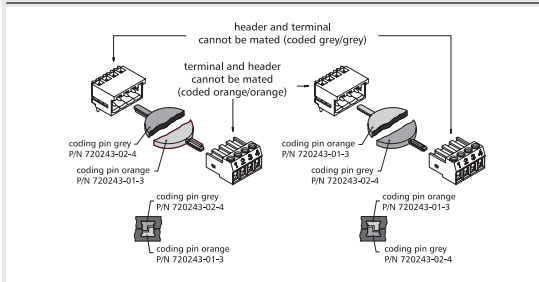


Coding pin 720243 | gray

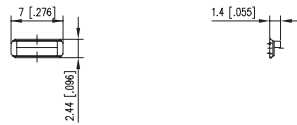
- The coding pins are inserted into the slots provided in the terminal block and respective header
- This method of coding does not result in any circuit loss. Please refer to the drawing below for further details.
- Variants: 720243-01-3 with 6 coding pins orange left; 720243-02-3 with 6 coding pins orange right, 720243-01-4 with 6 coding pins gray left, 720243-02-4 with 6 coding pins gray right

Color gray

Picture



Dimensional drawing



P/N	Color	Feature 1	Feature 2
720243-01-4	gray		
720243-02-4	gray		

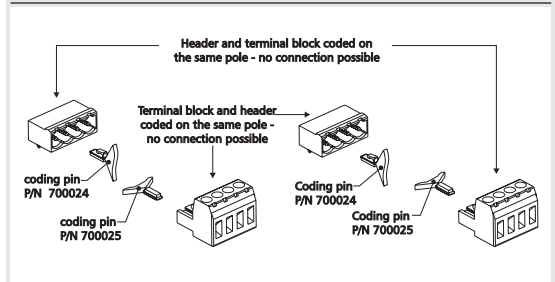


Coding pin 700024 | white | Pin header

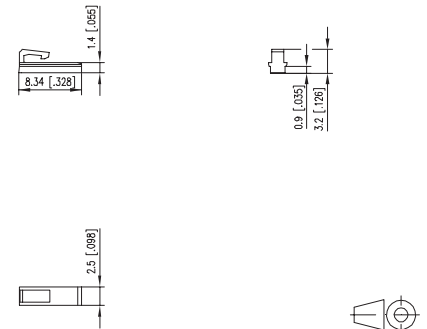
- The coding pins are inserted into the slots provided in the terminal block and respective header. The coding pin with the bridge will be inserted into the header.
- This method of coding does not result in any circuit loss. Please refer to the drawing below for further details.
- Group of 6 coding pins

Color white

Picture



Dimensional drawing



P/N	Color	Feature 1	Feature 2
700024-01-9	white		

Coding pin 700025 | white
| Terminal block is matching accessory for

	Page
RP036xxHBLC (Type 213)	120
RP03AxxHBLC (Type 213)	127
RP036xxHBLD (Type 214)	120
RP03AxxHBLD (Type 214)	127
RP036xxHBL5 (Type 218)	121
RP016xxVBLC (Type 249)	118
RP016xxSBLC (Type 250)	119
RP016xxVBLF (Type 251)	119
RP01AxxVBLF (Type 251)	126
RP018xxVBLC (Type 262)	122
RP035xxHBLC (Type 313)	116
RP039xxHBLC (Type 313)	124
RP035xxHBLD (Type 314)	116
RP085xxVBLC (Type 348)	115
RP015xxVBLC (Type 349)	113
RP019xxVBLC (Type 349)	124
RP015xxSBLC (Type 350)	114
RP015xxVBLF (Type 351)	114
RP019xxVBLF (Type 351)	125
SP043xxVBNN (ASP043)	48
SP044xxVBNN (ASP044)	50
SP045xxVBNC (ASP045)	53
SP046xxVBNC (ASP046)	57
SP049xxVBNC (ASP049)	60
SP04AxxVBNC (ASP04A)	61
SP064xxVGNN (ASP064)	50
SP064xxVGNF (ASP084)	51
SP129xxVBNF (ASP129)	60
RP036xxHBLF (Type 217)	121
RP03AxxHBLF (Type 217)	128
RP03AxxHBL5 (Type 218)	128
SP066xxVBNC (ASP066)	57
SP065xxVBNC (ASP065)	54
SP065xxVBNF (ASP085)	55
SP065xxVBPC (ASP065 with finger push-button)	54
SP065xxVBPF (ASP085 with finger push-button)	55
SP066xxVBNF (ASP086)	58
SP066xxVBPC (ASP066 with finger push-button)	58
SP066xxVBPF (ASP086 with finger push-button)	59

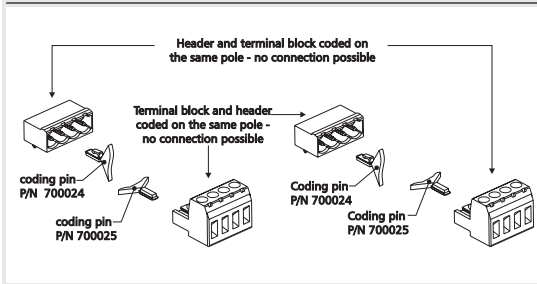


Coding pin 700025 | white | Terminal block

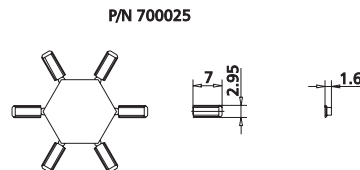
- The coding pins are inserted into the slots provided in the terminal block and respective header. The coding pin with the bridge will be inserted into the header.
- This method of coding does not result in any circuit loss. Please refer to the drawing below for further details.
- Group of 6 coding pins

Color white

Picture



Dimensional drawing



P/N	Color	Feature 1	Feature 2
700025-01-9	white		



Screwdriver 791989 | 2.5 mm

- Screwdriver with blade width 2.50 mm / 0.098 inches

P/N	Color	Feature 1	Feature 2	
791989				



Screwdriver 791990 | 3.0 mm

- Screwdriver with blade width 3.00 mm / 0.118 inches

P/N	Color	Feature 1	Feature 2	
791990				

Cross range application solutions

Next to the products from our U|Contact range that offers PCB connection systems, we also provide cross-range application solutions from the P|Cabling range enabling a structured and smooth data flow from the PCB to the network and the infrastructure.

RJ45 patch cable



Cat.6_A 10G AWG 26 gray
P/N: 130845xx33-E



Cat.6_A 10G AWG 26 yellow
P/N: 130845xx77-E



Cat.6_A 10G AWG 26 green
P/N: 130845xx55-E



Cat.6_A 10G AWG 26 blue
P/N: 130845xx44-E

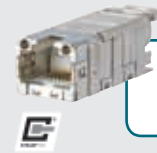


Cat.6_A 10G AWG 26 red
P/N: 130845xx66-E



Cat.6_A 10G AWG 26 white
P/N: 130845xx88-E

Inserts for IP67 flanges



E-DAT Industry RJ45
field jack insert
P/N: 1401100810MI



E-DAT Industry RJ45
coupler insert
P/N: 1401200810MI



OpDAT Industry RJ45
SCRJ/2SC insert
P/N: 1402100820MI



OpDAT Industry RJ45
SCRJ/2SC insert
P/N: 1402300820MI

IP67 flanges



Industry IP67 V1 bulkhead
P/N: 1401013302KE



Industry IP67 V1
metal bulkhead
P/N: 1401013300ME



Industry IP67 V4 bulkhead
P/N: 1401043302KE



Industry IP67 V5
metal bulkhead
P/N: 1401063300ME

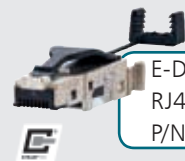


Industry IP67 V14 bulkhead
standard fixation
P/N: 14010833C0MN



Industry IP67 V14 bulkhead
central fixation
P/N: 14010833C0MC

Plugs



E-DAT Industry IP20
RJ45 field plug black
P/N: 1401405012-I



E-DAT Industry IP20
RJ45 plug
P/N: 1401505012-E



OpDAT Industry IP20
SC plug
P/N: 1402F05020-I



OpDAT Industry IP20
LC-D plug
P/N: 1402805020-I



Ethernet M12 cable plug,
suitable for field assembly,
8-pole X-coded
P/N: MNF881A315

Ethernet M12 lines



Connection line M12
4-pole D-coded
P/N: 142M1D10xxx



Cable M12
4-pole D-coded
P/N: 142M1D11xxx



Cable M12
8-pole X-coded
P/N: 142M2X10xxx



Connection line M12
8-pole X-coded
P/N: 142M2X11xxx



Connection line RJ45/M12,
8-pole X-coded
1, 2, 5, 10 m
P/N: 142M2X15xxx

Type- and Crosslist

1	Index Product name PN	304
2	Crosslist Spring clamp terminal blocks and matching Pin headers	307
3	Crosslist Screw type terminal blocks and matching Pin headers	310
4	Crosslist Accessories for Spring clamp terminal blocks	314
5	Crosslist Accessories for Screw type terminal blocks	315
6	Crosslist Accessories for Pin headers	316
7	Type List and Usage Guides	317

Spring clamp terminal blocks

Old product name	New product name	P/N	Page
AST061	ST061xxHDNN	AST061	23
AST021	ST021xxHDNN	AST021	23
AST041	ST041xxDDNN	AST041	24
AST072	ST072xxHGNN	AST072	25
AST082	ST072xxVGNN	AST082	25
AST223	SR213xxHBNC	AST223	26
	SR213xxHBPC	SR213xxHBPC	26
AST233	SR213xxDBNC	AST233	27
	SR213xxDBPC	SR213xxDBPC	27
AST213	SR213xxVBNC	AST213	28
	SR213xxVBPC	SR213xxVBPC	28
AST024	ST024xxHDNC	AST024	29
AST225	SR215xxHBNC	AST225	30
	SR215xxHBPC	SR215xxHBPC	30
AST065	ST065xxHDNN	AST065	31
AST025	ST025xxHDNC	AST025	31
AST055	ST055xxHBNC	AST055	32
AST095	ST095xxHDNN	AST095	32
AST235	SR215xxDBNC	AST235	33
AST045	ST045xxDDNC	AST045	33
AST135	ST135xxDDNC	AST135	34
AST175	ST175xxLDNN	AST175	34
AST185	ST185xxLDNN	AST185	35
AST215	SR215xxVBNC	AST215	35
	SR215xxVBPC	SR215xxVBPC	36
AST105	ST105xxVDNN	AST105	36
AST125	ST125xxVDNN	AST125	37
AST145	ST145xxVDNN	AST145	37
AST176	ST176xxLDNN	AST176	38
AST186	ST186xxLDNN	AST186	38
AST067	ST067xxHDNN	AST067	39
AST027	ST027xxHDNC	AST027	39
AST057	ST057xxHBNC	AST057	40
AST047	ST047xxDDNC	AST047	40
AST137	ST137xxDDNC	AST137	41
AST177	ST177xxLDNN	AST177	41
AST187	ST187xxLDNN	AST187	42
AST098	ST098xxHDNN	AST098	43
AST178	ST178xxLDNN	AST178	43
AST188	ST188xxLDNN	AST188	44
AST108	ST108xxVDNN	AST108	44
AST128	ST128xxVDNN	AST128	45
AST059	ST059xxHBNC	AST059	46
AST139	ST139xxDDNC	AST139	46
ASP051	SP051xxVGNN	ASP051	47
ASP043	SP043xxVBNN	ASP043	48
	SW063xxVBNN	SW063xxVBNN	48
ASP063	SP063xxVGNN	ASP063	49
ASP083	SP063xxVGNF	ASP083	49
ASP044	SP044xxVBNN	ASP044	50
ASP064	SP064xxVGNN	ASP064	50
ASP084	SP064xxVGNF	ASP084	51
ASP025	SP025xxHDNC	ASP025	52
ASP145	SP145xxHBNC	ASP145	52
ASP155	SP155xxHBNC	ASP155	53
ASP045	SP045xxVBNC	ASP045	53
	SP065xxVBNC	SP065xxVBNC	54
	SP065xxVBPC	SP065xxVBPC	54
	SP065xxVBNF	SP065xxVBNF	55
	SP065xxVBPF	SP065xxVBPF	55
	SP995xxVBNC	SP995xxVBNC	56
ASP046	SP046xxVBNC	ASP046	57
	SP066xxVBNC	SP066xxVBNC	57
	SP066xxVBPC	SP066xxVBPC	58
	SP066xxVBNF	SP066xxVBNF	58
	SP066xxVBPF	SP066xxVBPF	59

Spring clamp terminal blocks

Old product name	New product name	P/N	Page
ASP049	SP049xxVBNC	ASP049	60
ASP129	SP129xxVBNF	ASP129	60
ASP04A	SP04AxxVBNC	ASP04A	61
	SC305xxHBNN	SC305xxHBNN	62
	SL305xxHBNN	SL305xxHBNN	62

Screw type terminal blocks

Old product name	New product name	P/N	Page
Type 060	RT063xxHBNC	310601	69
Type 059	RT063xxHBWC	310591	69
Type 459	RT063xxOBWC	314591	70
Type 461	RT063xxPBWC	314611	70
Type 359	RT033xxHBLU	313591	71
Type 105	RT083xxDBWC	311051	71
Type 305	RT043xxLBLC	313051	72
Type 061	RT063xxVBWC	310611	72
Type 361	RT033xxVBLU	313611	73
Type 086	RT034xxHBLC	310861	74
Type 001	RT015xxHDWC	310011	75
Type 055	RT015xxHDWU	310551	75
Type 271	RT135xxHBWC	312711	76
Type 003	RT045xxHBWC	310031	76
Type 069	RT045xxMBWC	310691	77
Type 011	RT055xxHBLC	310111	77
Type 071	RT025xxHBLC	310711	78
Type 072	RT025xxHBLU	310721	78
Type 204	RT145xxHBVC	312041	79
Type 269	RT145xxMBLC	312691	79
Type 170	RT165xxHBNC	311701	80
Type 094	RT035xxHBLU	310941	80
Type 092	RT075xxHBLU	310921	81
Type 096	RT205xxHBLU	310961	81
Type 065	RT025xxOGLU	310651	82
Type 385	RT025xxHDLL	313851	82
Type 386	RT025xxHDLR	313861	83
Type 005	RT085xxDBWC	310051	83
Type 205	RT045xxUBLC	312051	84
Type 063	RT015xxVDWC	310631	84
Type 147	RT095xxVBWC	311471	85
Type 101	RT016xxHBWC	311011	86
Type 015	RT056xxHBLU	310151	86
Type 095	RT036xxHBLU	310951	87
Type 083	RT046xxHBWU	310831	87
Type 093	RT076xxHBLU	310931	88
Type 097	RT206xxHBLU	310971	88
Type 073	RT026xxHBLU	310731	89
Type 163	RT016xxVBWC	311631	89
Type 701	RT11LxxHGLU	317011	90
Type 171	RT137xxHBWC	311711	91
Type 175	RT027xxHBLC	311751	91
Type 703	RT10NxxHGLU	317031	92
Type 001	RT019xxHDWC	310012	93
Type 067	RT019xxHDWC	310671	93
Type 271	RT139xxHBWC	312712	94
Type 003	RT049xxHBWC	310032	94
Type 069	RT049xxMBWC	310692	95
Type 011	RT059xxHBLC	310112	95
Type 071	RT029xxHBLC	310712	96
Type 269	RT149xxMBLC	312692	96
Type 205	RT049xxUBLC	312052	97
Type 063	RT019xxVDWC	310632	97
Type 147	RT099xxVBWC	311472	98
Type 163	RT01AxxVBWC	311632	99
Type 166	RP023xxHBWC	311661	100
Type 165	RP023xxHBNF	311651	100
Type 614	RP043xxHBLC	316141	101

Screw type terminal blocks

Old product name	New product name	P/N	Page
Type 613	RP043xxHBLD	316131	101
Type 634	RP043xxHBLF	316341	102
Type 633	RP043xxHBL	316331	102
Type 514	RW043xxHBL	315141	103
Type 513	RW043xxHBLD	315131	103
Type 534	RW043xxHBLF	315341	104
Type 533	RW043xxHBL	315331	104
Type 169	RP013xxVBWN	311691	105
Type 339	RP033xxVBLC	313391	105
Type 114	RP034xxHBLN	311141	106
Type 113	RP034xxHBL	311131	106
Type 369	RP034xxVBLN	313691	107
Type 379	RP034xxVBLF	313791	107
Type 007	RP025xxIBWC	310071	108
Type 077	RP025xxIBWU	310771	108
Type 107	RP025xxHBWC	311071	109
Type 108	RP025xxMBWC	311081	109
Type 207	RP025xxHBL	312071	110
Type 137	RP025xxIBLC	311371	110
Type 157 with snap-in technique	RP095xxRBWC	311571	111
Type 157 without ridge	RP095xxBBWC	311571xx-002730	111
Type 157 with ridge	RP095xxHBWC	311571xx-002740	112
Type 009	RP015xxWBWC	310091	112
Type 049	RP015xxWBLC	310491	113
Type 349	RP015xxVBLC	313491	113
Type 350	RP015xxSBL	313501	114
Type 351	RP015xxVBLF	313511	114
Type 348	RP085xxVBLC	313481	115
Type 013	RP035xxIBLN	310131	115
Type 313	RP035xxHBL	313131	116
Type 314	RP035xxHBLD	313141	116
	RP995xxVDNN	RP995xxVDNN	117
Type 079	RP026xxIBWU	310791	118
Type 249	RP016xxVBLC	312491	118
Type 250	RP016xxSBL	312501	119
Type 251	RP016xxVBLF	312511	119
Type 213	RP036xxHBL	312131	120
Type 214	RP036xxHBLD	312141	120
Type 217	RP036xxHBLF	312171	121
Type 218	RP036xxHBL	312181	121
Type 262	RP018xxVBLC	312621	122
Type 007	RP029xxIBWC	310072	123
Type 049	RP019xxWBLC	310492	123
Type 313	RP039xxHBL	313132	124
Type 349	RP019xxVBLC	313492	124
Type 351	RP019xxVBLF	313512	125
Type 249	RP01AxxVBLC	312492	126
Type 251	RP01AxxVBLF	312512	126
Type 213	RP03AxxHBL	312132	127
Type 214	RP03AxxHBLD	312142	127
Type 217	RP03AxxHBLF	312172	128
Type 218	RP03AxxHBL	312182	128

IDC type terminal blocks

Old product name	New product name	P/N	Page
AIT023	IT023xxHDNU	AIT023	137

Pin headers

Old product name	New product name	P/N	Page
Type 374	PT091xxHGBN	313741	145
Type 373	PT091xxVGBN	313731	145
Type 024	PR013xxVBHC	310241	146
Type 188	PR043xxHBBN	311881	146
Type 388	PR043xxHBBF	313881	147
Type 527	PW063xxHBEC	315271	147

Pin headers

Old product name	New product name	P/N	Page
Type 523	PW063xxHBBN	315231	148
Type 525	PW063xxHBBF	315251	148
Type 342	PT093xxHBBN	313421	149
Type 394	PT093xxHBBF	313941	149
Type 182	PT113xxHBBN	311821	150
Type 224	PR033xxVBHC	312241	150
Type 189	PR043xxVBBN	311891	151
Type 389	PR043xxVBBF	313891	151
Type 528	PW063xxVBEC	315281	152
Type 524	PW063xxVBBN	315241	152
Type 526	PW063xxVBBF	315261	153
Type 424	PM013xxVBHC	314241	153
Type 343	PT093xxVBBN	313431	154
Type 183	PT113xxVBBN	311831	154
Type 190	PR044xxHBBN	311901	155
Type 390	PR044xxHBBF	313901	155
Type 382	PT094xxHBBN	313821	156
Type 392	PT094xxHBBF	313921	156
Type 191	PR044xxVBBN	311911	157
Type 391	PR044xxVBBF	313911	157
Type 383	PT094xxVBBN	313831	158
Type 393	PT094xxVBBF	313931	158
Type 476	PR065xxHBEC	314761	159
Type 176	PR065xxHBBN	311761	159
Type 396	PR065xxHBBF	313961	160
Type 337	PR075xxHBEL	313371	160
Type 338	PR075xxHBER	313381	161
Type 029	PT045xxHBEC	310291	161
Type 030	PT045xxHBBN	310301	162
Type 031	PT045xxHBVC	310311	162
Type 039	PT055xxHBHC	310391	163
Type 280	PT105xxHGDN	312801	163
Type 329	PT115xxHBEC	313291	164
Type 330	PT115xxHBBN	313301	164
Type 336	PT115xxHBBF	313361	165
Type 276	PT165xxHGDN	312761	165
Type 017	PR015xxVBHC	310171	166
Type 027	PR015xxVBVC	310271	166
Type 317	PM015xxVBHC	313171	167
Type 318	PM025xxVBHC	313181	167
Type 046	PR035xxVBHC	310461	168
Type 048	PR055xxVBHC	310481	168
Type 477	PR065xxVBEC	314771	169
Type 177	PR065xxVBBN	311771	169
Type 397	PR065xxVBBF	313971	170
Type 417	PM035xxVBHC	314171	170
Type 019	PT045xxVBEC	310191	171
Type 020	PT045xxVBBN	310201	171
Type 041	PT065xxVBEN	310411	172
Type 042	PT065xxVBVN	310421	172
Type 278	PT105xxVGDN	312781	173
Type 319	PT115xxVBEC	313191	173
Type 320	PT115xxVBBN	313201	174
Type 335	PT115xxVBBF	313351	174
Type 274	PT165xxVGDN	312741	175
Type 270	PT175xxVGDN	312701	175
Type 478	PR066xxHBEC	314781	176
Type 178	PR066xxHBBN	311781	176
Type 292	PT106xxHGDN	312921	177
Type 229	PT116xxHBEC	312291	177
Type 230	PT116xxHBBN	312301	178
Type 236	PT116xxHBBF	312361	178
Type 288	PT166xxHGDN	312881	179
Type 018	PR016xxVBHC	310181	179
Type 028	PR016xxVBVC	310281	180
	PM016xxVBHC	PM016xxVBHC	180

Pin headers

Old product name	New product name	P/N	Page
Type 398	PR066xxHBBF	313981	181
Type 399	PR066xxVBBF	313991	181
Type 479	PR066xxVBEC	314791	182
Type 179	PR066xxVBBN	311791	182
Type 290	PT106xxVGDN	312901	183
Type 219	PT116xxVBEC	312191	183
Type 220	PT116xxVBBN	312201	184
Type 235	PT116xxVBBF	312351	184
Type 286	PT166xxVGDN	312861	185
Type 265	PT118xxHBEC	312651	186
Type 266	PT118xxHBBC	312661	186
Type 263	PT118xxVBEC	312631	187
Type 264	PT118xxVBBC	312641	187
Type 031	PT049xxHBVC	310312	188
Type 030	PT049xxHBBN	310302	188
Type 336	PT119xxHBBF	313362	189
Type 042	PT069xxVBVN	310422	189
Type 020	PT049xxVBBN	310202	190
Type 320	PT119xxVBBN	313202	190
Type 335	PT119xxVBBF	313352	191
Type 229	PT11AxxHBEC	312292	192
Type 230	PT11AxxHBBN	312302	192
Type 236	PT11AxxHBBF	312362	193
Type 219	PT11AxxVBEC	312192	193
Type 220	PT11AxxVBBN	312202	194
Type 235	PT11AxxVBBF	312352	194

Female connectors

Old product name	New product name	P/N	Page
	FW143xxVBFC	FW143xxVBFC	197
Type 089	FT143xxVBFC	310891	197
Type 026	FT085xxVBFC	310261	198

Pin headers

Old product name	New product name	P/N	Page
	PR20BxxHBNN	PR20BxxHBNN	203
	PR20BxxHBDN	PR20BxxHBDN	203
	PR20BxxVBNN	PR20BxxVBNN	204
	PR20BxxVBDN	PR20BxxVBDN	204
	PM20BxxVBNN	PM20BxxVBNN	205
	PM20BxxVBDN	PM20BxxVBDN	205
	PR20CxxHBNN	PR20CxxHBNN	206
	PR20CxxHBDN	PR20CxxHBDN	206
	PM20CxxHBNN	PM20CxxHBNN	207
	PM20CxxHBDN	PM20CxxHBDN	207
	PR20CxxVBNN	PR20CxxVBNN	208
	PR20CxxVBDN	PR20CxxVBDN	208
	PM20CxxVBNN	PM20CxxVBNN	209
	PM20CxxVBDN	PM20CxxVBDN	209
	PR202xxHBNN	PR202xxHBNN	210
	PR202xxHBDN	PR202xxHBDN	210
	PM202xxHBNN	PM202xxHBNN	211
	PM202xxHBDN	PM202xxHBDN	211
	PR202xxVBNN	PR202xxVBNN	212
	PR202xxVBDN	PR202xxVBDN	212
	PM202xxVBNN	PM202xxVBNN	213
	PM202xxVBDN	PM202xxVBDN	213

Female connectors





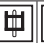



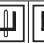















Old product name	New product name	P/N	Page
	FR20BxxVBNN	FR20BxxVBNN	215
	FR20BxxVBDN	FR20BxxVBDN	215
	FM20BxxVBDN	FM20BxxVBDN	216
	FR20CxxHBNN	FR20CxxHBNN	217
	FR20CxxHBDN	FR20CxxHBDN	217
	FR20CxxVBNN	FR20CxxVBNN	218

Female connectors

Old product name	New product name	P/N	Page
	FR20CxxVBDN	FR20CxxVBDN	218
	FM20CxxVBNN	FM20CxxVBNN	219
	FM20CxxVBDN	FM20CxxVBDN	219
	FR202xxHBNN	FR202xxHBNN	220
	FR202xxHBDN	FR202xxHBDN	220
	FR202xxVBNN0002	FR202xxVBNN0002	221
	FR202xxVBDN0002	FR202xxVBDN0002	221
	FR202xxVBNN	FR202xxVBNN	222
	FR202xxVBDN	FR202xxVBDN	222
	FR202xxVBNN0001	FR202xxVBNN0001	223
	FR202xxVBDN0001	FR202xxVBDN0001	223
	FM202xxVBNN	FM202xxVBNN	224
	FM202xxVBDN	FM202xxVBDN	224

Pin headers

Spring clamp terminal blocks

																										
	Page	PT091xxHGBN	PT091xxVGBN	PR043xxHBBN	PT093xxHBBN	PR043xxVBBN	PT093xxVBBN	PW063xxHBEC	PW063xxHBBN	PW063xxVBEC	PW063xxVBBN	PR043xxHBBF	PT093xxHBBF	PR043xxVBBF	PR044xxHBBN	PR044xxVBBN	PT094xxHBBN	PT094xxVBBN	PR044xxHBBF	PT094xxHBBF	PR044xxVBBF	PT094xxVBBF	PT055xxHBHC	PR015xxVBHC	PM035xxVBHC	PT065xxVBEN
SP051xxVGNN	47	●	●																							
SP043xxVBNN	48			●	●	●	●																			
SW063xxVBNN	48							●	●	●	●															
SP063xxVGNN	49			●	●	●	●																			
SP063xxVGNF	49											●	●	●												
SP044xxVBNN	50														●	●										
SP064xxVGNN	50														●	●	●	●								
SP064xxVGNF	51																		●	●	●	●				
SP025xxHDNC	52																						●	●	●	●
SP145xxHBNC	52																									
SP155xxHBNC	53																									
SP045xxVBNC	53																									
SP065xxVBNC	54																									
SP065xxVBPC	54																									
SP065xxVBNF	55																									
SP065xxVBPF	55																									
SP995xxVBNC	56																									
SP046xxVBNC	57																									
SP066xxVBNC	57																									
SP066xxVBPC	58																									
SP066xxVBNF	58																									
SP066xxVBPF	59																									
SP049xxVBNC	60																									
SP129xxVBNF	60																									
SP04AxxVBNC	61																									

Pin headers

Spring clamp terminal blocks

PRO35xxVBHC	PRO65xxHBEC	PRO65xxHBBN	PRO75xxHBEL	PRO75xxHBER	PT115xxHBEC	PT115xxHBBN	PT165xxHGDN	PRO65xxVBEC	PRO65xxVBBN	PT115xxVBEC	PT115xxVBBN	PT165xxVGDN	PT175xxVGDN	PT105xxHGDN	PT105xxVGDN	PRO65xxHBBF	PT115xxHBBF	PRO65xxVBBF	PT115xxVBBF	PT045xxHBBN	PT045xxHBVC	PT045xxVBBN	PRO66xxHBEC	PRO66xxHBBN					

	Page	168	159	159	160	161	164	164	165	169	169	173	174	175	175	163	173	160	165	170	174	162	162	171	176	176			
SP051xxVGNN	47																												
SP043xxVBNN	48																												
SW063xxVBNN	48																												
SP063xxVGNN	49																												
SP063xxVGNF	49																												
SP044xxVBNN	50																												
SP064xxVGNN	50																												
SP064xxVGNF	51																												
SP025xxHDNC	52																												
SP145xxHBNC	52	●																											
SP155xxHBNC	53	●																											
SP045xxVBNC	53		●	●	●	●	●	●	●	●	●	●	●	●	●														
SP065xxVBNC	54		●	●	●	●	●	●	●	●	●	●	●	●	●	●													
SP065xxVBPC	54		●	●	●	●	●	●	●	●	●	●	●	●	●	●													
SP065xxVBNF	55															●	●	●	●										
SP065xxVBBF	55															●	●	●	●										
SP995xxVBNC	56		●	●	●	●	●	●	●	●	●	●	●	●	●														
SP046xxVBNC	57																											●	●
SP066xxVBNC	57																											●	●
SP066xxVBPC	58																											●	●
SP066xxVBNF	58																												
SP066xxVBBF	59																												
SP049xxVBNC	60																												
SP129xxVBNF	60																												
SP04AxxVBNC	61																												

Type- and Crosslist

U|Contact

Pin headers

Screw type terminal blocks

	PR03xxVBHC	PM013xxVBHC	PR013xxVBHC	PR043xxHBBN	PT093xxHBBN	PR043xxVBBN	PT093xxVBBN	PR043xxHBBF	PT093xxHBBF	PR043xxVBBF	PW063xxHBBN	PW063xxVBBN	PW063xxHBBF	PW063xxVBBF	PT113xxHBBN	PT113xxVBBN	PR044xxHBBN	PT094xxHBBN	PR044xxVBBN	PT094xxVBBN	PR044xxHBBF	PT094xxHBBF	PR044xxVBBF	PT094xxVBBF	PT055xxHBHC

	Page	150	153	146	146	149	151	154	147	149	151	148	152	148	153	150	154	155	156	157	158	155	156	157	158	163
RP023xxHBWC	100	●	●																							
RP023xxHBNF	100			●																						
RP043xxHBLC	101				●	●	●	●																		
RP043xxHBLD	101				●	●	●	●																		
RP043xxHBLF	102								●	●	●															
RP043xxHBLS	102								●	●	●															
RW043xxHBLC	103											●	●													
RW043xxHBLD	103											●	●													
RW043xxHBLF	104													●	●											
RW043xxHBLS	104													●	●											
RP013xxVBWN	105				●	●	●	●								●	●									
RP033xxVBLC	105				●	●	●	●																		
RP034xxHBLN	106																●	●	●	●						
RP034xxHBLO	106																●	●	●	●						
RP034xxVBLN	107																●	●	●	●						
RP034xxVBLF	107																				●	●	●	●		
RP025xxIBWC	108																									●
RP025xxIBWU	108																									●
RP025xxHBWC	109																									●
RP025xxHBLC	110																									
RP025xxIBLC	110																									
RP095xxRBWC	111																									
RP095xxBBWC	111																									
RP095xxHBWC	112																									
RP015xxVBWC	112																									
RP015xxVBLC	113																									
RP015xxVBLC	113																									
RP015xxSBLC	114																									
RP015xxVBLF	114																									
RP085xxVBLC	115																									
RP035xxIBLN	115																									
RP035xxHBLC	116																									
RP035xxHBLD	116																									
RP026xxIBWU	118																									
RP016xxVBLC	118																									
RP016xxSBLC	119																									
RP016xxVBLF	119																									
RP036xxHBLC	120																									
RP036xxHBLD	120																									
RP036xxHBLF	121																									
RP036xxHBLS	121																									
RP018xxVBLC	122																									
RP029xxIBWC	123																									
RP019xxVBLC	123																									
RP039xxHBLC	124																									
RP019xxVBLC	124																									
RP019xxVBLF	125																									
RP01AxxVBLC	126																									
RP01AxxVBLF	126																									
RP03AxxHBLC	127																									
RP03AxxHBLD	127																									
RP03AxxHBLF	128																									
RP03AxxHBLS	128																									

Type- and Crosslist

U | Contact

Pin headers

Screw type terminal blocks

	PR015xxVBHC	PR015xxVBVC	PM035xxVBHC	PT065xxVBEN	PT065xxVBVN	PR055xxVBHC	PM025xxVBHC	PR035xxVBHC	PT045xxHBEC	PT045xxHBBN	PT045xxHBVC	PT045xxVBEC	PT045xxVBBN	PR065xxHBEC	PR065xxHBBN	PR075xxHBEL	PR075xxHBER	PT105xxHGDN	PT115xxHBEC	PT115xxHBBN	PT165xxHGDN	PR065xxVBEC	PR065xxVBBN	PT105xxVGDN	PT115xxVBEC

	Page	166	166	170	172	172	168	167	168	161	162	162	171	171	159	159	160	161	163	164	164	165	169	169	173	173
RP023xxHBWC	100																									
RP023xxHBNF	100																									
RP043xxHBLC	101																									
RP043xxHBLD	101																									
RP043xxHBLF	102																									
RP043xxHBL5	102																									
RW043xxHBLC	103																									
RW043xxHBLD	103																									
RW043xxHBLF	104																									
RW043xxHBL5	104																									
RP013xxVBWN	105																									
RP033xxVBLC	105																									
RP034xxHBLN	106																									
RP034xxHBLO	106																									
RP034xxVBLN	107																									
RP034xxVBLF	107																									
RP025xxlBWC	108	●	●	●	●	●																				
RP025xxlBWU	108	●	●	●	●	●																				
RP025xxHBWC	109	●	●	●	●	●																				
RP025xxHBLC	110						●																			
RP025xxlBLC	110		●																							
RP095xxRBWC	111						●	●																		
RP095xxBBWC	111						●	●																		
RP095xxHBWC	112						●	●																		
RP015xxWBWC	112								●	●	●	●	●													
RP015xxVBLC	113								●	●	●	●	●													
RP015xxVBLN	113													●	●	●	●	●	●	●	●	●	●	●	●	●
RP015xxSBLC	114													●	●	●	●	●	●	●	●	●	●	●	●	●
RP015xxVBLF	114																									
RP085xxVBLC	115								●	●	●	●	●				●	●								
RP035xxlBLN	115								●	●	●	●	●													
RP035xxHBLC	116													●	●	●	●	●	●	●	●	●	●	●	●	●
RP035xxHBLD	116													●	●	●	●	●	●	●	●	●	●	●	●	●
RP026xxlBWU	118																									
RP016xxVBLC	118																									
RP016xxSBLC	119																									
RP016xxVBLF	119																									
RP036xxHBLC	120																									
RP036xxHBLD	120																									
RP036xxHBLF	121																									
RP036xxHBL5	121																									
RP018xxVBLC	122																									
RP029xxlBWC	123																									
RP019xxVBLC	123																									
RP039xxHBLC	124																									
RP019xxVBLC	124																									
RP019xxVBLF	125																									
RP01AxxVBLC	126																									
RP01AxxVBLF	126																									
RP03AxxHBLC	127																									
RP03AxxHBLD	127																									
RP03AxxHBLF	128																									
RP03AxxHBL5	128																									

Approvals

- Approval exists
- Approval pending

P/N	Page	UL	UL	SP	SEV	SEV
ST061xxHDNN	23	○				●
ST021xxHDNN	23	●				●
ST041xxDDNN	24	●				●
ST072xxHGNN	25	●				●
ST072xxVGNN	25	●				●
SR213xxHBNC	26	●				●
SR213xxHBPC	26	●				●
SR213xxDBNC	27	●				●
SR213xxDBPC	27	○				●
SR213xxVBNC	28	●				●
SR213xxVBPC	28	●				●
ST024xxHDNC	29	●				●
SR215xxHBNC	30	●				●
SR215xxHBPC	30	●				●
ST065xxHDNN	31	●				●
ST025xxHDNC	31	●				●
ST055xxHBNC	32	●				●
ST095xxHDNN	32	●				●
SR215xxDBNC	33	●				●
ST045xxDDNC	33	●				●
ST135xxDDNC	34	●				●
ST175xxLDNN	34		●			●
ST185xxLDNN	35		●			●
SR215xxVBNC	35	●				●
SR215xxVBPC	36	●				●
ST105xxVDNN	36	●				●
ST125xxVDNN	37	●				●
ST145xxVDNN	37	●				●
ST176xxLDNN	38		●			●
ST186xxLDNN	38		●			●
ST067xxHDNN	39	●				●
ST027xxHDNC	39	●				●
ST057xxHBNC	40	●				●
ST047xxDDNC	40	●				●
ST137xxDDNC	41	●				●
ST177xxLDNN	41	○				●
ST187xxLDNN	42	○				●
ST098xxHDNN	43	●				●
ST178xxLDNN	43	○				●
ST188xxLDNN	44	○				●
ST108xxVDNN	44	●				●
ST128xxVDNN	45	●				●
ST059xxHBNC	46	●				●
ST139xxDDNC	46	●				●
SP051xxVGNN	47	●				●
SP043xxVBNN	48	●				●
SW063xxVBNN	48	●				○
SP063xxVGNN	49	●				○
SP063xxVGNF	49	●				○
SP044xxVBNN	50	●				●
SP064xxVGNN	50	●				●
SP064xxVGNF	51	●				●
SP025xxHDNC	52	●				●
SP145xxHBNC	52	●				●
SP155xxHBNC	53	●				●

P/N	Page	UL	UL	SP	SEV	SEV
SP045xxVBNC	53	●				○
SP065xxVBNC	54	●				○
SP065xxVBPC	54	●				○
SP065xxVBNF	55	●				○
SP065xxVBPf	55	●				○
SP995xxVBNC	56	○				○
SP046xxVBNC	57	●				○
SP066xxVBNC	57	●				○
SP066xxVBPC	58	●				○
SP066xxVBNF	58	●				○
SP066xxVBPf	59	●				○
SP049xxVBNC	60	●				○
SP129xxVBNF	60	●				○
SC305xxHBNN	62	○				○
SL305xxHBNN	62	○				○
SM99S	63	○				○
SR99S	63	○				○
RT063xxHBNC	69	●				●
RT063xxHBWC	69	●				●
RT063xxOBWC	70	●				●
RT063xxPBWC	70	○				●
RT033xxHBLU	71	●				●
RT083xxDBWC	71	●				●
RT043xxLBLE	72	●				●
RT063xxVBWC	72	●				●
RT033xxVBLU	73	●				●
RT034xxHBLC	74	●				●
RT015xxHDWC	75	●				●
RT015xxHDWU	75	●				●
RT135xxHBWC	76	●				●
RT045xxHBWC	76	●				●
RT045xxMBWC	77	●				●
RT055xxHBLC	77	●				●
RT025xxHBLC	78	●				●
RT025xxHBLU	78	●				●
RT145xxHBVC	79	●				●
RT145xxMBLC	79	●				●
RT165xxHBNC	80	●				●
RT035xxHBLU	80	●				●
RT075xxHBLU	81	●				●
RT205xxHBLU	81	●				●
RT025xxOGLU	82	●				●
RT025xxHDLL	82	●				●
RT025xxHDLR	83	●				●
RT085xxDBWC	83	●				●
RT045xxUBLC	84	●				●
RT015xxVDWC	84	●				●
RT095xxVBWC	85	●				●
RT016xxHBWC	86	●				●
RT056xxHBLU	86	●				●
RT036xxHBLU	87	●				●
RT046xxHBWU	87	●				●
RT076xxHBLU	88	●				●
RT206xxHBLU	88	●				●
RT026xxHBLU	89	●				●

Approvals

- Approval exists
- Approval pending

P/N	Page	UL	UL	SP	CS	SEV
RT016xxVBWC	89	●				●
RT11LxxHGLU	90	●				●
RT137xxHBWC	91	●				●
RT027xxHBLC	91	●				●
RT10NxxHGLU	92	●				●
RT019xxHDWC	93	●				●
RT019xxHDWC	93	●				●
RT139xxHBWC	94	●				●
RT049xxHBWC	94	●				●
RT049xxMBWC	95	●				●
RT059xxHBLC	95	●				●
RT029xxHBLC	96	●				●
RT149xxMBLC	96	●				●
RT049xxUBL	97	●				●
RT019xxVDWC	97	●				●
RT099xxVBWC	98	●				●
RT01AxxVBWC	99	●				●
RP023xxHBWC	100	●				●
RP023xxHBNF	100	●				●
RP043xxHBLC	101	●				●
RP043xxHBLD	101	●				●
RP043xxHBLF	102	●				●
RP043xxHBLS	102	●				●
RW043xxHBLC	103	●				●
RW043xxHBLD	103	●				●
RW043xxHBLF	104	●				●
RW043xxHBLS	104	●				●
RP013xxVBWN	105	●			●	
RP033xxVBLC	105	●				●
RP034xxHBLN	106	●				●
RP034xxHBLO	106	●				●
RP034xxVBLN	107	●				●
RP034xxVBLF	107	●				●
RP025xxIBWC	108	●				●
RP025xxIBWU	108	●				●
RP025xxHBWC	109	●				●
RP025xxMBWC	109	●				●
RP025xxHBLC	110	●				●
RP025xxIBLC	110	●				●
RP095xxRBWC	111	●				●
RP095xxBBWC	111	●				●
RP095xxHBWC	112	●				●
RP015xxWBWC	112	●				●
RP015xxWBLC	113	●				●
RP015xxVBLC	113	●				●
RP015xxSBLC	114	●				●
RP015xxVBLF	114	●				●
RP085xxVBLC	115	●				●
RP035xxIBLN	115	●				●
RP035xxHBLC	116	●				●
RP035xxHBLD	116	●				●
RP995xxVDNN	117	●				
RP026xxIBWU	118	●			●	
RP016xxVBLC	118	●				●
RP016xxSBLC	119	●				●

P/N	Page	UL	UL	SP	CS	SEV
RP016xxVBLF	119	●				●
RP036xxHBLC	120	●				●
RP036xxHBLD	120	●				●
RP036xxHBLF	121	●				●
RP036xxHBLS	121	●				●
RP018xxVBLC	122		●			●
RP029xxIBWC	123	●				●
RP019xxWBLC	123	●				●
RP039xxHBLC	124	●				●
RP019xxVBLC	124	●				●
RP019xxVBLF	125	●				●
RP01AxxVBLC	126	●				●
RP01AxxVBLF	126	●				●
RP03AxxHBLC	127	●				●
RP03AxxHBLD	127	●				●
RP03AxxHBLF	128	●				●
RP03AxxHBLS	128	●				●
IT023xxHDNU	137	●				●
PT091xxHGBN	145	●				●
PT091xxVGBN	145	●				●
PR013xxVBHC	146	●				
PR043xxHBBN	146	●				●
PR043xxHBBF	147	●				●
PW063xxHBEC	147	●				○
PW063xxHBBN	148	●				○
PW063xxHBBF	148	●				○
PT093xxHBBN	149	●				●
PT093xxHBBF	149	●				●
PT113xxHBBN	150	●				●
PR033xxVBHC	150	●				●
PR043xxVBBN	151	●				●
PR043xxVBBF	151	●				●
PW063xxVBEC	152	●				○
PW063xxVBBN	152	●				○
PW063xxVBBF	153	●				○
PM013xxVBHC	153	●				
PT093xxVBBN	154	●				●
PT113xxVBBN	154	●				●
PR044xxHBBN	155	●				●
PR044xxHBBF	155	●				●
PT094xxHBBN	156	●				●
PT094xxHBBF	156	●				●
PR044xxVBBN	157	●				●
PR044xxVBBF	157	●				●
PT094xxVBBN	158	●				●
PT094xxVBBF	158	●				●
PR065xxHBEC	159	●				●
PR065xxHBBN	159	●				●
PR065xxHBBF	160	●				●
PR075xxHBEL	160	●				●
PR075xxHBER	161	●				●
PT045xxHBEC	161	●				●
PT045xxHBBN	162	●				●
PT045xxHBVC	162		●			●
PT055xxHBHC	163	●				●

Approvals

- Approval exists
- Approval pending

P/N	Page	UL US	UL	SP	S	SEV
PT105xxHGDN	163	●				●
PT115xxHBEC	164	●				●
PT115xxHBBN	164	●				●
PT115xxHBBF	165	●				●
PT165xxHGDN	165	●				●
PR015xxVBHC	166	●				●
PR015xxVBVC	166	●				●
PM015xxVBHC	167		●			
PM025xxVBHC	167	●				
PR035xxVBHC	168	●				●
PR055xxVBHC	168	●				●
PR065xxVBEC	169	●				●
PR065xxVBBN	169	●				●
PR065xxVBBF	170	●				●
PM035xxVBHC	170	●				
PT045xxVBEC	171	●				●
PT045xxVBBN	171	●				●
PT065xxVBEN	172	●				●
PT065xxVBVN	172	●				●
PT105xxVGDN	173	●				●
PT115xxVBEC	173	●				●
PT115xxVBBN	174	●				●
PT115xxVBBF	174	●				●
PT165xxVGDN	175	●				●
PT175xxVGDN	175	●				
PR066xxHBEC	176	●				●
PR066xxHBBN	176	●				●
PT106xxHGDN	177	●				●
PT116xxHBEC	177	●				●
PT116xxHBBN	178	●				●
PT116xxHBBF	178	●				●
PT166xxHGDN	179	●				●
PR016xxVBHC	179	●				●
PR016xxVBVC	180	●				●
PM016xxVBHC	180	○		○		
PR066xxHBBF	181	●				●
PR066xxVBBF	181	●				●
PR066xxVBEC	182	●				●
PR066xxVBBN	182	●				●
PT106xxVGDN	183	●				●
PT116xxVBEC	183	●				●
PT116xxVBBN	184	●				●
PT116xxVBBF	184	●				●
PT166xxVGDN	185	●				●
PT118xxHBEC	186	●				●
PT118xxHBBC	186	●				●
PT118xxVBEC	187	●				●
PT118xxVBBC	187	●				●
PT049xxHBVC	188		●			●
PT049xxHBBN	188	●				●
PT119xxHBBF	189	●				●
PT069xxVBVN	189	●				●
PT049xxVBBN	190	●				●
PT119xxVBBN	190	●				●
PT119xxVBBF	191	●				●

P/N	Page	UL US	UL	SP	S	SEV
PT11AxxHBEC	192	●				●
PT11AxxHBBN	192	●				●
PT11AxxHBBF	193	●				●
PT11AxxVBEC	193	●				●
PT11AxxVBBN	194	●				●
PT11AxxVBBF	194	●				●
FW143XXVBFC	197		●			●
FT143xxVBFC	197		●			●
FT085xxVBFC	198					●

Generic specifications

1	Creepage and clearance distances	322
2	Overvoltage category	322
3	Degrees of pollution	322
4	Usage temperature	322
5	Circuits directly connected to the low voltage mains	323
6	Rated impulse voltage for equipment	323
7	Minimum clearances for insulation coordination	324
8	Single phase three- or two-wire a.c. or d.c. systems	325
9	Three-phase four- or three-wire a.c. systems	326
10	Minimum creepage distances for equipment subject to long-term stresses	327
11	Current carrying capacity	328
12	Rated current	328
13	Rated voltage	328
14	Wire cross section	328
15	Structure and dimensions of conductors	329
16	Protection against manual contact	329
17	Insulation moulds	329
18	Approvals	330
19	Explanations to the Technical Data	330
20	European agencies for testing and approvals	331

Rating of creepage and clearance distances

The creepage and clearance distances of the U|Contact terminal blocks and headers are rated according to EN 60664-1.

Rated voltage, overvoltage category and pollution degree applicable in practice can be determined only after soldering the terminal block or header onto the printed circuit board. Important factors for the rating are the minimum distance of the circuit paths, the relatively low resistance against creepage current of the printed circuit board and the absence of separating ribs.

Since we are unable to influence these factors the insulation data given for all U|Contact terminal blocks and U|Contact headers relate to their independent condition.

Explanatory notes regarding the determination of Clearance and creepage distances

The standard EN 60664-1 uses the overvoltage category and the pollution degree to determine the Clearance and creepage distances.

The overvoltage category is divided into four sub-categories and determines the strength of the rated transient voltage in conjunction with the mains voltage.

The rated transient voltage basically determines the minimum clearance.

Minimum clearances apply to use on location up to a height of 2000 m above sea level.

The pollution degree is divided into four degrees and determines, in combination with insulating material and the shape of the separating ribs, the creepage distance.

Overvoltage category according to EN 60664-1

Equipment energized directly from the low-voltage mains

Technical data shall specify the overvoltage category as based on the following general explanation of overvoltage categories (see also IEC 364-4-443):

Equipment of overvoltage category I

is equipment for connection to circuits in which measures are taken to limit transient overvoltages to an appropriately low level. Examples are protected electronic circuits.

Equipment of overvoltage category II

is energy-consuming equipment to be supplied from the fixed installation. Examples of such equipment are appliances, portable tools and other household and similar loads.

Equipment of overvoltage category III

is equipment in fixed installations and for cases where the reliability and the availability of the equipment are subject to special requirements. Examples of such equipment are switches in the fixed installation and equipment for industrial use with permanent connection to the fixed installation.

Equipment of overvoltage category IV

is for use at the origin of the installation. Examples of such equipment are electricity meters and primary overcurrent protection equipment.

Degrees of pollution in the micro-environment according to EN 60664-1

The following four degrees of pollution in the micro-environment are established for the purpose of evaluating creepage distances and clearances:

Pollution degree 1

No pollution or only dry, non-conductive pollution occurs. The pollution has no influence.

Pollution degree 2

Only non-conductive pollution occurs except that occasionally a temporary conductivity caused by condensation is to be expected.

Pollution degree 3

Conductive pollution occurs or dry non-conductive pollution occurs which becomes conductive due to condensation which can be expected.

Pollution degree 4

The pollution generates continuous conductivity caused by conductive dust or by rain or snow.

Usage temperature

The usage temperature defines the temperature for the permanent operation of a component without destruction. This temperature is the addition of ambient temperature and the self-warming of the component during operation.

The ambient temperature is the temperature affecting permanently the component without regard to the self-warming of the component.

Temperature limits for product series screw type terminal blocks, ID terminal blocks, headers and accessories as well as spring clamp terminal blocks without lever or push button (i.e. ST061):

max. temperature limit +105 °C
min. temperature limit -30 °C

Temperature limits for spring clamp terminal blocks with lever or push button:

max. temperature limit +100 °C
min. temperature limit -30 °C

Example for rating work sheets (based on case A) (basic insulation at permanent voltage for equipment up to 2000 m above sea level) according to EN 60664-1.

Circuits directly connected to the low voltage mains

influence quantity	selection based on	reference to EN 60664-1	value
clearance			
impulse withstand voltage	overvoltage category of the equipment	table 1	table 2
creepage distance			
voltage	Rated voltage [V] or rated insulation voltage	table 3a, 3b	table 4
pollution (influence of humidity)	pollution degree (micro-environment)	section 2.5.1	table 4
insulation material	comparative tracking index	section 2.7.1.3	table 4

- step 1 - selection of the overvoltage category
 step 2 - selection of the impulse voltage, according to table 1
 step 3 - determination of the minimum clearance (cl), according to table 2
 step 4 - selection of the Rated voltage for creepage distances according to tables 3a and 3b
 step 5 - determination of the pollution degree and the comparative tracking index (CTI)
 step 6 - determination of the minimum creepage distance (cr), according to table 4
 step 7 - if $cr < cl$:
 - for pollution degree 3 or 4 the distance on the insulation material is as large as the clearance (cl), according to table 4;
 - for pollution degree 1 or 2 the distance on the insulation material is allowed to be as large as the creepage distance (cr), if this distance withstands the test impulse voltage used to establish the clearance.

Rated impulse voltage for equipment energized directly from the low-voltage mains Extract of table 1 EN 60664-1

nominal Voltage of the power supply system ¹⁾ according to IEC 60038 ³⁾ V		Tension cable to neutral cable separated from the nominal alternative or nominal direct current until ... inclusive V	Rated test voltage ²⁾ V			
			Overvoltage category ⁴⁾			
dreiphasig	einphasig		I	II	III	IV
	120 - 240	50	330	500	800	1500
		100	500	800	1500	2500
		150	800	1500	2500	4000
230/400 277/480		300	1500	2500	4000	6000
400/690		600	2500	4000	6000	8000
1000		1000	4000	6000	8000	12000

note: cf. details EN 60664-1:2003

Minimum clearances for insulation coordination Extract of table EN 60664-1

Rated impulse with stand- voltage	Minimum clearances up to 2000 m above sea level		
	Case A in homogeneous field conditions		
	Pollution degree		
kV	1 mm	2 mm	3 mm
0,33	0,01		
0,40	0,02		
0,50	0,04		
0,60	0,06	0,20	0,80
0,80	0,10		
1,00	0,15		
1,20	0,25	0,25	
1,50	0,50	0,50	
2,00	1,00	1,00	1,00
2,50	1,50	1,50	1,50
3,00	2,00	2,00	2,00
4,00	3,00	3,00	3,00
5,00	4,00	4,00	4,00
6,00	5,50	5,50	5,50
8,00	8,00	8,00	8,00
10,00	11,00	11,00	11,00
12,00	14,00	14,00	14,00
15,00	18,00	18,00	18,00
20,00	25,00	25,00	25,00
25,00	33,00	33,00	33,00
30,00	40,00	40,00	40,00
40,00	60,00	60,00	60,00
50,00	75,00	75,00	75,00
60,00	90,00	90,00	90,00
80,00	130,00	130,00	130,00
100,00	170,00	170,00	170,00

note: cf. details EN 60664-1:2003

Extract from table 3a: single phase three- or two-wire a.c. or d.c. systems EN 60664-1

Nominal voltage of the supply system [*]	Voltages rationalized for table 4	
	for insulation line-to-line ¹⁾	for insulation line-to-earth ¹⁾
	all systems	three-wire systems mid-point earthed
V	V	V
12.5	12.5	
24 25	25	
30	32	
42 48 50**	50	
60	63	
30-60	63	32
100**	100	
110 120	125	
150**	160	
220	250	
110-220 120-240	250	125
300**	320	
220-440	500	250
600**	630	
480-960	1000	500
1000**	1000	

1) Line-to-earth insulation level for unearthed or impedance-earthed systems equals that for line-to-line because the operating voltage to earth of any line can, in practice, approach full line-to-line voltage. This is because the actual voltage to earth is determined by the insulation resistance and capacitive reactance of each line to earth; thus, low (but acceptable) insulation resistance of one line can in effect earth it and raise the other two to full line-to-line voltage to earth.

* For relationship to Rated voltage see 2.2.1.(+)

** These values correspond to the values given in table 1 (Rated impulse voltage for equipment energized directly from the low-voltage mains).

**Extract of table 3b: three-phase four- or three-wire a.c. systems
EN 60664-1**

Nominal voltage of the supply system*	Voltages rationalized for table 4		
	for insulation line-to-line	for insulation line-to-earth	
	all systems	three-phase four-wire systems neutral-earthed ²⁾	three-phase three-wire systems unearthed ¹⁾ or corner-earthed
V	V	V	V
60	63	32	63
110 120 127	125	80	125
150**	160	--	160
208	200	125	200
220 230 230	250	160	250
300**	320	--	320
380 400 415	400	250	400
440	500	250	500
480 500	500	320	500
575	630	400	630
600**	630	--	630
660 690	630	400	630
720 830	800	500	800
960	1000	630	1000
1000**	1000	--	1000

1) Line-to-earth insulation level for unearthed or impedance-earthed systems equals that for line-to-line because the operating voltage to earth of any line can, in practice, approach full line-to-line voltage. This is because the actual voltage to earth is determined by the insulation resistance and capacitive reactance of each line to earth; thus, low (but acceptable) insulation resistance of one line can in effect earth it and raise the other two to full line-to-line voltage to earth.

2) For equipment for use on both three-phase four-wire and three-phase three-wire supplies, earthed and unearthed, use the values for three-wire systems only.

* For relationship to Rated voltage see 2.2.1.^(*)

** These values correspond to the values given in table 1 (Rated impulse voltage for equipment energized directly from the low-voltage mains).

Minimum creepage distances to avoid failure caused by tracking Extract of table 4 DIN EN 60664-1

Voltage ¹⁾ r.m.s. value	Minimal creepage distances								
	Printed circuits Pollution degree		Pollution degree	Pollution degree			Pollution degree		
	1	2	1	2			3		
	All insulation material groups mm	All insulation material groups except IIIb3 mm	All insulation material groups mm	Insulation material group			Insulation material group		
V			I mm	II mm	III mm	I mm	II mm	III ²⁾ mm	
10	0,025	0,040	0,080	0,400	0,400	0,400	1,000	1,000	1,000
12,5	0,025	0,040	0,090	0,420	0,420	0,420	1,050	1,050	1,050
16	0,025	0,040	0,100	0,450	0,450	0,450	1,100	1,100	1,100
20	0,025	0,040	0,110	0,480	0,480	0,480	1,200	1,200	1,200
25	0,025	0,040	0,125	0,500	0,500	0,500	1,250	1,250	1,250
32	0,025	0,040	0,140	0,530	0,530	0,530	1,300	1,300	1,300
40	0,025	0,040	0,160	0,560	0,800	1,100	1,400	1,600	1,800
50	0,025	0,040	0,180	0,600	0,850	1,200	1,500	1,700	1,900
63	0,040	0,063	0,200	0,630	0,900	1,250	1,600	1,800	2,000
80	0,063	0,100	0,220	0,670	0,950	1,300	1,700	1,900	2,100
100	0,100	0,160	0,250	0,710	1,000	1,400	1,800	2,000	2,200
125	0,160	0,250	0,280	0,750	1,050	1,500	1,900	2,100	2,400
160	0,250	0,400	0,320	0,800	1,100	1,600	2,000	2,200	2,500
200	0,400	0,630	0,420	1,000	1,400	2,000	2,500	2,800	3,200
250	0,560	1,000	0,560	1,250	1,800	2,500	3,200	3,600	4,000
320	0,750	1,600	0,750	1,600	2,200	3,200	4,000	4,500	5,000
400	1,000	2,000	1,000	2,000	2,800	4,000	5,000	5,600	6,300
500	1,300	2,500	1,300	2,500	3,600	5,000	6,300	7,100	8,000
630	1,800	3,200	1,800	3,200	4,500	6,300	8,000	9,000	10,000
800	2,400	4,000	2,400	4,000	5,600	8,000	10,000	11,000	12,500
1000	3,200	5,000	3,200	5,000	7,100	10,000	12,500	14,000	16,000

- 1) This voltage is
 - for functional isolation: the working voltage;
 - for basic and supplementary insulation of the circuit energized directly from the low-voltage mains: the rationalized voltage based on the rated voltage of the equipment, or the rated insulation voltage;
 - for basic or supplementary insulation of systems, equipment and internal circuits not energized directly from the low-voltage mains: the highest r.m.s. voltage which can occur in the system, equipment or internal circuit when supplied at Rated voltage, and under the most onerous combination of conditions of operating within equipment rating.
- 2) insulation material group IIIb is not recommended for pollution degree 3 above 630 V

Note: For details see DIN EN 60664-1:2007

Current carrying capacity

The maximum current carrying capacity (rated current) is indicated in the technical data of each terminal block. It considers the heating limit indicated in EN 60998-1. According to this standard the self-heating of current carrying parts of the termination point shall not exceed 45 K. In case of insulated conductors, the heating of a conductor has to be measured as near as possible to the termination point in the terminal block.

Termination has to be done with rigid or flexible conductors of the biggest cross section that the wire entry is designed for. The connecting material is charged with alternate current according to table 2 during the whole test.

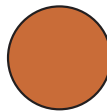
rated wire cross section	test current
mm ²	A
0.5	6
0.75	9
1	13.5
1.5	17.5
2.5	24
4	32
6	41
10	57
16	76
25	101
35	125

The current carrying capacity also depends on the use of the terminal block or connector. It is also necessary to consider the respective directives for appliances such as EN 60335-1, EN 60598-1, EN 60664 etc.

Copper conductors according to EN 60228

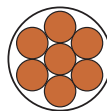
Single wire

Wire diameter = 1.78 mm
 Number of wires = 1
 Conductor dia. max. = 1.9 mm
 Nominal cross section = 2.5 mm²



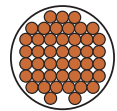
Multi-wire

Wire diameter = 0.67 mm
 Number of wires = 7
 Conductor dia. max. = 2.2 mm
 Nominal cross section = 2.5 mm²



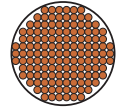
Fine stranded

Wire diameter = 0.26 mm
 Number of wires = 45
 Conductor dia. max. = 2.3 mm
 Nominal cross section = 2.5 mm²



Ultra-fine stranded

Wire diameter = 0.16 mm
 Number of wires = 120
 Conductor dia. max. = 2.3 mm
 Nominal cross section = 2.5 mm²



Rated current

is the value of current that a plug-in connector or coupler can carry continuously (not intermittently) and simultaneously through all contacts without exceeding the upper temperature limit.

The determination of the rated current value according to DIN VDE / IEC is different than according to UL.

Rated voltage

is the value of voltage according to which plug-in connectors and couplers are rated and to which certain operation characteristics are referred.

Wire cross section

The wire cross section for printed circuit board connectors and couplers as well as the admissible wire size range is defined according to IEC 60939-1 and given in the technical data of each series.

The contacts of RIA printed circuit board connectors and couplers are designed to allow termination of copper wires without special preparation. The use of wire ferrules is not necessary, but can prevent wire strands from separating.

Note

Conductors with soldered single wires are not allowed for connection to screw type terminal blocks, due to the cold flow of tin.

Screw type terminal blocks / Spring clamp terminal blocks pluggable terminal blocks

No current should be applied when terminal blocks are plugged or wired. Empirical values are available on demand if small currents are necessary for operational reasons.

Structure and dimensions of conductors

according to DIN VDE 0295/1992-06 (IEC 60228)						American Wire Gauge (AWG)						
nominal cross section mm ²	single wire	multi-wire		fine and ultra-fine stranded		solid wire			stranded wire			
	max. dia. mm	max. dia. mm	min. no. of wires	max. dia. mm	min. no. of wires	AWG no.	dia. mm	circ. mil	mm ²	dia. mm	circ. mil	mm ²
0.5	0.9	1.1	7	1.1	15	20	0.81	1020	0.52	0.97	1111	0.56
0.75	1.0	1.2	7	1.3	22	18	1.02	1620	0.82	1.16	1600	0.82
1	1.2	1.4	7	1.5	29	(17)	1.15	2050	1.04			
-		-	-	-	-	16	1.29	2580	1.31	1.50	2580	1.32
1.5	1.5	1.7	7	1.8	29	(15)	1.45	3260	1.65			
-		-	-	-	-	14	1.63	4110	2.08	1.85	4100	2.09
2.5	1.9	2.2	7	2.3	47	(13)	1.83	5180	2.63			
-		-	-	-	-	12	2.05	6530	3.31	2.41	6500	3.32
4	2.4	2.7	7	2.9	53	(11)	2.3	8230	4.17			
-		-	-	-	-	10	2.59	10400	5.26	2.95	10530	5.37
6	2.9	3.3	7	3.9	80	(9)	2.91	13100	6.63			
-		-	-	-	-	8	3.26	16500	8.37	3.37	16625	8.48

Protection against manual contact

The design of the insulating moulds provides that voltage carrying parts are contained inside the mould after termination of a wire with nominal cross section. This ensures adequate protection against accidental contact by the test finger according to EN 60529.

Exceptions are terminal blocks RT015xxHDWC, RP015xxWBWC, RT015xxHDWU, RT016xxHBWU, RT015xxVDWC, RT034xxHBLC and single terminal blocks.

It is required that live components are protected against accidental contact by fingers within a protection area with a 30 mm radius. This means that hazardous parts of an electric device cannot be touched by the straight test finger according to EN 60529.

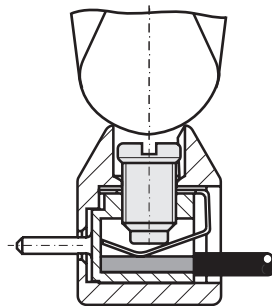
Insulation moulds

The insulation moulds are made of Polyamide. This material is self-extinguishing according to UL 94V-0, flexible and unbreakable up to -40°C. Its stability under continuous temperature is rated up to 125° C, and up to 185° C for short periods. The melting point is situated between 215° C and 295° C depending on the material type (PA 4.6, 6, 6.6).

It is highly weatherproof due to special ultra-violet stabilisation and highly resistant to micro-organisms, bacteria, fungi, enzymes and termites. Both features provide good stability under tropical conditions.

The material is not resistant to strong acids with concentrations over 90 % such as formic acid or to phenol or superheated steam.

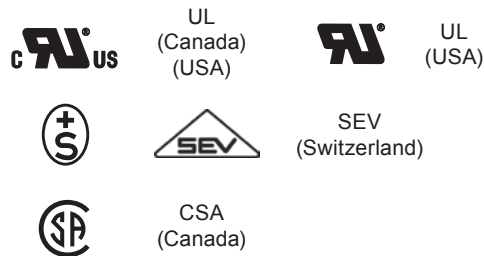
Test finger arrangement



Testing is done with a terminated conductor of nominal cross section.

Approvals

Our current approvals are shown in the product summary, the type and approval index and for each product throughout the catalog.



Note to technical data

Values according to UL (USA)

V / A / AWG 300 / 20 / 22 - 12 

Values according to CSA (Canada)

V / A / AWG 300 / 20 / 22 - 12 

Voltage V
Current A
American Wire Gauge AWG

Values according to SEV (Switzerland) / EN 60998

0.08 - 2.5 mm² 250 V / 4 kV / 16 A 

Rated cross section in mm²

Rated voltage in V

Rated test voltage in kV

Rated current in A

Our termination products are approved by SEV and controlled according to the CCA-NTR procedure.

SEV means: Schweizer Elektrotechnischer Verein (Electrotechnical Association of Switzerland) it is now called Electrosuisse

CCA means: CENELEC Certification Agreement (including factory inspections / process and product inspection)

NTR means: National Test Report

CENELEC means: European committee for electrotechnical standardization

UL means: Underwriters Laboratories Inc.

CSA means: Canadian Standards Association

Applied test standards:

- DIN EN 60998-2-1
Particular requirements for connecting devices as separate entities with screw-type clamping units
- DIN EN 60998-2-2
Particular requirements for connecting devices as separate entities with screwless-type clamping units
- DIN EN 60998-2-3
Particular requirements for connecting devices as separate entities with insulation-piercing clamping units
- DIN EN 60999-1
Connecting devices - Electrical copper conductors - Safety requirements for screw-type and screwless-type clamping units
- DIN EN 61984
Connectors - Safety requirements and tests
- UL 1059
Standard for Safety; Terminal Blocks
- UL 486E
Standard for Equipment Wiring Terminals for Use with Aluminum and/or Copper Conductors
- UL 1977
Standard for Safety; Component Connectors for Use in Data, Signal, Control and Power Applications
- CSA C22.2 No. 158
Standard for Terminal Blocks

European agencies for testing and approvals

The following table gives a summary of the European agencies for testing and approvals that have joined one or several of the programs for mutual acceptance of test results and approvals.

	Agency	Acceptance of test results	
		NCB	CCA
		IEC standards	EN standards harmonisation documents
European Union			
Belgium	CEBEC	X	X
Germany	- VDE-PZI	X	X
	- TÜV-Rheinland	X	
	- TÜV-PS	X	
Denmark	DEMKO	X	X
Finland	FIMKO	X	X
France	LCIE	X	X
Greece	ELOT	X	X
Great Britain	- ASTA	X	X
	- BEAB	X	X
	- BASEC	X	X
	- BSI	X	X
Ireland	NSAI	X	X
Italy	IMQ	X	X
Luxemburg	SEE		X
Netherlands	KEMA	X	X
Austria	ÖVE	X	X
Portugal	IPQ		X
Sweden	SEMKO	X	X
Spain	AENOR	X	X

	Agency	Acceptance of test results	
		NCB	CCA
		IEC standards	EN standards harmonisation documents
EFTA countries			
Iceland	RER		X
Norway	SEMKO	X	X
Switzerland	SEV	X	X
other countries			
Poland	PCBC	X	
Slovakia	EVPU	X	X
Slovenia	SIQ	X	X
Czechia	EZU	X	X
Russia	GOST-R	X	
Ukraine	Der Standart	X	

Explanations:

- IEC: International Electrotechnical Commission
- NCB: National Certification Body - IEC - accredited national test and approval agency
- CB: participation in the CB procedure: acceptance of test results based on IEC standards
- CCA: participation in the CCA procedure: acceptance of test results based on European Standards (EN) and documents for harmonisation (HD)

Generic specifications

U | Contact

Index

1	Index - P/N	334
2	Index - Product name	338

P/N	Product name	Page
310011	RT015xxHDWC	75
310012	RT019xxHDWC	93
310031	RT045xxHBWC	76
310032	RT049xxHBWC	94
310051	RT085xxDBWC	83
310071	RP025xxHBWC	108
310072	RP029xxHBWC	123
310091	RP015xxVBWC	112
310111	RT055xxHBLC	77
310112	RT059xxHBLC	95
310131	RP035xxHBLN	115
310151	RT056xxHBLU	86
310171	PR015xxVBHC	166
310181	PR016xxVBHC	179
310191	PT045xxVBEC	171
310201	PT045xxVBBN	171
310202	PT049xxVBBN	190
310241	PR013xxVBHC	146
310261	FT085xxVBFC	198
310271	PR015xxVBVC	166
310281	PR016xxVBVC	180
310291	PT045xxHBEC	161
310301	PT045xxHBBN	162
310302	PT049xxHBBN	188
310311	PT045xxHBVC	162
310312	PT049xxHBVC	188
310391	PT055xxHBHC	163
310411	PT065xxVBEN	172
310421	PT065xxVBVN	172
310422	PT069xxVBVN	189
310461	PR035xxVBHC	168
310481	PR055xxVBHC	168
310491	RP015xxVBLC	113
310492	RP019xxVBLC	123
310551	RT015xxHDWU	75
310591	RT063xxHBWC	69
310601	RT063xxHBNC	69
310611	RT063xxVBWC	72
310631	RT015xxVDWC	84
310632	RT019xxVDWC	97
310651	RT025xxOGLU	82
310671	RT019xxHDWC	93
310691	RT045xxMBWC	77
310692	RT049xxMBWC	95
310711	RT025xxHBLC	78
310712	RT029xxHBLC	96
310721	RT025xxHBLU	78
310731	RT026xxHBLU	89
310771	RP025xxHBWU	108
310791	RP026xxHBWU	118
310831	RT046xxHBWU	87
310861	RT034xxHBLC	74
310891	FT143xxVBFC	197
310921	RT075xxHBLU	81
310931	RT076xxHBLU	88
310941	RT035xxHBLU	80
310951	RT036xxHBLU	87
310961	RT205xxHBLU	81
310971	RT206xxHBLU	88
311011	RT016xxHBWC	86
311051	RT083xxDBWC	71
311071	RP025xxHBWC	109
311081	RP025xxMBWC	109
311131	RP034xxHBLO	106
311141	RP034xxHBLN	106
311371	RP025xxBLC	110
311471	RT095xxVBWC	85
311472	RT099xxVBWC	98
311571	RP095xxRBWC	111
311571XX-002730	RP095xxBBWC	111
311571XX-002740	RP095xxHBWC	112
311631	RT016xxVBWC	89
311632	RT01AxxVBWC	99
311651	RP023xxHBNF	100
311661	RP023xxHBWC	100
311691	RP013xxVBWN	105
311701	RT165xxHBNC	80
311711	RT137xxHBWC	91
311751	RT027xxHBLC	91
311761	PR065xxHBBN	159
311771	PR065xxVBBN	169

P/N	Product name	Page
311781	PR066xxHBBN	176
311791	PR066xxVBBN	182
311821	PT113xxHBBN	150
311831	PT113xxVBBN	154
311881	PR043xxHBBN	146
311891	PR043xxVBBN	151
311901	PR044xxHBBN	155
311911	PR044xxVBBN	157
312041	RT145xxHBVC	79
312051	RT045xxUBLC	84
312052	RT049xxUBLC	97
312071	RP025xxHBLC	110
312131	RP036xxHBLC	120
312132	RP03AxxHBLC	127
312141	RP036xxHBLD	120
312142	RP03AxxHBLD	127
312171	RP036xxHBLF	121
312172	RP03AxxHBLF	128
312181	RP036xxHBLS	121
312182	RP03AxxHBLS	128
312191	PT116xxVBEC	183
312192	PT11AxxVBEC	193
312201	PT116xxVBBN	184
312202	PT11AxxVBBN	194
312241	PR033xxVBHC	150
312291	PT116xxHBEC	177
312292	PT11AxxHBEC	192
312301	PT116xxHBBN	178
312302	PT11AxxHBBN	192
312351	PT116xxVBBF	184
312352	PT11AxxVBBF	194
312361	PT116xxHBBF	178
312362	PT11AxxHBBF	193
312491	RP016xxVBLC	118
312492	RP01AxxVBLC	126
312501	RP016xxSBLC	119
312511	RP016xxVBLF	119
312512	RP01AxxVBLF	126
312621	RP018xxVBLC	122
312631	PT118xxVBEC	187
312641	PT118xxVBBC	187
312651	PT118xxHBEC	186
312661	PT118xxHBBC	186
312691	RT145xxMBLC	79
312692	RT149xxMBLC	96
312701	PT175xxVGDN	175
312711	RT135xxHBWC	76
312712	RT139xxHBWC	94
312741	PT165xxVGDN	175
312761	PT165xxHGDN	165
312781	PT105xxVGDN	173
312801	PT105xxHGDN	163
312861	PT166xxVGDN	185
312881	PT166xxHGDN	179
312901	PT106xxVGDN	183
312921	PT106xxHGDN	177
313051	RT043xxLBLC	72
313131	RP035xxHBLC	116
313132	RP039xxHBLC	124
313141	RP035xxHBLD	116
313171	PM015xxVBHC	167
313181	PM025xxVBHC	167
313191	PT115xxVBEC	173
313201	PT115xxVBBN	174
313202	PT119xxVBBN	190
313291	PT115xxHBEC	164
313301	PT115xxHBBN	164
313351	PT115xxVBBF	174
313352	PT119xxVBBF	191
313361	PT115xxHBBF	165
313362	PT119xxHBBF	189
313371	PR075xxHBEL	160
313381	PR075xxHBER	161
313391	RP033xxVBLC	105
313421	PT093xxHBBN	149
313431	PT093xxVBBN	154
313481	RP085xxVBLC	115
313491	RP015xxVBLC	113
313492	RP019xxVBLC	124
313501	RP015xxSBLC	114
313511	RP015xxVBLF	114

P/N	Product name	Page
313512	RP019xxVBLF	125
313591	RT033xxHBLU	71
313611	RT033xxVBLU	73
313691	RP034xxVBLN	107
313731	PT091xxVGBN	145
313741	PT091xxHGBN	145
313791	RP034xxVBLF	107
313821	PT094xxHBBN	156
313831	PT094xxVBBN	158
313851	RT025xxHDLL	82
313861	RT025xxHDLR	83
313881	PR043xxHBBF	147
313891	PR043xxVBBF	151
313901	PR044xxHBBF	155
313911	PR044xxVBBF	157
313921	PT094xxHBBF	156
313931	PT094xxVBBF	158
313941	PT093xxHBBF	149
313961	PR065xxHBBF	160
313971	PR065xxVBBF	170
313981	PR066xxHBBF	181
313991	PR066xxVBBF	181
314171	PM035xxVBHC	170
314241	PM013xxVBHC	153
314591	RT063xxOBWC	70
314611	RT063xxPBWC	70
314761	PR065xxHBEC	159
314771	PR065xxVBEC	169
314781	PR066xxHBEC	176
314791	PR066xxVBEC	182
315131	RW043xxHBLD	103
315141	RW043xxHBLC	103
315231	PW063xxHBBN	148
315241	PW063xxVBBN	152
315251	PW063xxHBBF	148
315261	PW063xxVBBF	153
315271	PW063xxHBEC	147
315281	PW063xxVBEC	152
315331	RW043xxHBL5	104
315341	RW043xxHBLF	104
316131	RP043xxHBLD	101
316141	RP043xxHBLC	101
316331	RP043xxHBL5	102
316341	RP043xxHBLF	102
317011	RT11LxxHGLU	90
317031	RT10NxxHGLU	92
360271	360271 Single terminal block M3	132
360272	360272 Single terminal block M2.6	129
360273	360273 Single terminal block M2.6	129
360291	360291 Single terminal block M3	131
360322	360322 Single terminal block M3	130
360381	360381 Single terminal block M3	131
360410	360410 Single terminal block M3	130
360425	360425 Single terminal block M4	132
700024-01-9	Coding pin 700024 white Pin header	297
700025-01-9	Coding pin 700025 white Terminal block	298
700333-01-1216	LED lighth transmitter RM 3.81 mm	295
700333-02-1216	LED lighth transmitter RM 3.81 mm	295
700333-03-1216	LED lighth transmitter RM 3.81 mm	295
700353-01-1216	LED lighth transmitter RM 3.50 mm	295
700353-02-1216	LED lighth transmitter RM 3.50 mm	295
700353-03-1216	LED lighth transmitter RM 3.50 mm	295
710084	Mounting flange 710084 right	285
710085	Mounting flange 710085 left	285
710121-2	Coding pin 710121 short	290
710122-2	Coding pin 710122 long	290
711047	Jumper 711047	294
711401-092-02-2	Protection against accidental contact 711401	294
711401-092-03-2	Protection against accidental contact 711401	294
716846	Coding pin 716846 blue	293
716906	Coding pin 716906 orange	293
720036-01-4	Mounting flange 720036 lock depth 1 mm	289
720036-02-2	Mounting flange 720036 lock depth 1.5 mm	289
720158-01-2	Mounting flange 720158 lock depth 1 mm	288
720158-02-2	Mounting flange 720158 lock depth 1.5 mm	288
720159-01-2	Coding pin 720159 short	291
720159-02-2	Coding pin 720159 long	291
720161-01-2	Coding pin 720161 short	292
720161-02-2	Coding pin 720161 long	292
720243-01-3	Coding pin 720243 orange	296
720243-01-4	Coding pin 720243 gray	297

P/N	Product name	Page
720243-02-3	Coding pin 720243 orange	296
720243-02-4	Coding pin 720243 gray	297
720293-01-2	Coding pin 720293 black	296
750150	Mounting flange 750150 right	286
750151	Mounting flange 750151 left	286
750313	Mounting flange 750313 right	287
750314	Mounting flange 750314 left	287
791989	Screwdriver 791989 2.5 mm	299
791990	Screwdriver 791990 3.0 mm	299
AIT023	IT023xxHDNU	137
AJP92A8813	AJP92A	258
AJS05G4413-001	AJS05G	268
AJS05G4413-005	AJS05G	268
AJS08G5513-001	AJS08G	271
AJS09G4413-001	AJS09G	271
AJS10G4413-001	AJS10G	272
AJS10G4413-301	AJS10G	272
AJS55A4411	AJS55A	264
AJS55A6611	AJS55A	261
AJS55A6613	AJS55A	261
AJS56A8811	AJS56A	237
AJS57A6613	AJS57A	260
AJS58BA811	AJS58B	243
AJS59L8811-0302	AJS59L	235
AJS59L8811-0312	AJS59L	243
AJS59L8813-0302	AJS59L	235
AJS59L8813-0312	AJS59L	243
AJT01B8813	AJT01B	245
AJT14G4413-001	AJT14G	272
AJT18L8813-010	AJT18L	249
AJT18L8813-020	AJT18L	249
AJT18L8813-030	AJT18L	249
AJT20G4413-001	AJT20G	269
AJT21G4413-001	AJT21G	266
AJT24G4413-001	AJT24G	266
AJT25G4423-001	AJT25G	267
AJT27G4423-001	AJT27G	269
AJT29G5513-001	AJT29G	270
AJT30G4413-001	AJT30G	270
AJT30G4413-002	AJT30G	270
AJT31L8811-01	AJT31L	249
AJT32L8841-010	AJT32L	252
AJT33G9913-001	AJT33G	267
AJT33L8813-014	AJT33L	253
AJT33L8813-064	AJT33L	253
AJT34L8813-011	AJT34L	253
AJT34L8813-014	AJT34L	253
AJT34L8813-034	AJT34L	253
AJT34L8814-031	AJT34L	253
AJT35L8824-031	AJT35L	255
AJT36L8883-090	AJT36L	251
AJT37L8884-094	AJT37L	255
AJT38L8813-011	AJT38L	254
AJT39L8813-021	AJT39L	254
AJT39L8813-031	AJT39L	254
AJT40L8813-030	AJT40L	250
AJT41L8841-011	AJT41L	256
AJT42C8821	AJT42C	238
AJT42C8883	AJT42C	238
AJT43C6421	AJT43C 1x2 Port	263
AJT43C6642-001	AJT43C 1x4 Port	263
AJT43L8881-011	AJT43L	256
AJT44L8821-014	AJT44L	257
AJT46C6623	AJT46C	262
AJT46D8883	AJT46D	248
AJT47C8841	AJT47C	239
AJT47D8843-003	AJT47D	246
AJT48D8824	AJT48D	247
AJT49D8843	AJT49D	247
AJT49D8883	AJT49D	247
AJT49D8884	AJT49D	247
AJT49D88G3	AJT49D	247
AJT52D8843	AJT52D	248
AJT60A8815	AJT60A	235
AJT65A8812-0002	AJT65A	236
AJT65B8813	AJT65B	241
AJT65B8814	AJT65B	241
AJT74B8813	AJT74B	244
AJT74B8814	AJT74B	244
AJT75BA813	AJT75B, 10P/8C	242
AJT75BA13	AJT75B, 10P/10C	242

P/N	Product name	Page
AJT84A6613	AJT84A	261
AJT84A8813	AJT84A	237
AJT85A6613	AJT85A	259
AJT87A4411	AJT87A	265
AJT87A6611-041	AJT87A	259
AJT87A6612	AJT87A	259
AJT92B8813	AJT92B8813 Magnetics 10/100 MBit	240
AJT92BC813	AJT92BC813 Magnetics 1 GBit	240
AJT93B8813	AJT93B	244
AJT93DA823	AJT93D	246
AJT94B8813	AJT94B	241
ASM01W0164-0G16	SM01W	64
ASM01W0164-1G16	SM01W	64
ASM01W0164-2G16	SM01W	64
ASM01W0164-3G16	SM01W	64
ASM01W0164-4G16	SM01W	64
ASM01W0164-5G16	SM01W	64
ASM01Y0164-0G16	SM01Y	64
ASM01Y0164-1G16	SM01Y	64
ASM01Y0164-2G16	SM01Y	64
ASM01Y0164-3G16	SM01Y	64
ASM01Y0164-4G16	SM01Y	64
ASM01Y0164-5G16	SM01Y	64
ASP025	SP025xxHDNC	52
ASP043	SP043xxVBNN	48
ASP044	SP044xxVBNN	50
ASP045	SP045xxVBNC	53
ASP046	SP046xxVBNC	57
ASP049	SP049xxVBNC	60
ASP04A	SP04AxxVBNC	61
ASP051	SP051xxVGNN	47
ASP063	SP063xxVGNN	49
ASP064	SP064xxVGNN	50
ASP083	SP063xxVGNF	49
ASP084	SP064xxVGNF	51
ASP129	SP129xxVBNF	60
ASP145	SP145xxHBNC	52
ASP155	SP155xxHBNC	53
AST021	ST021xxHDNN	23
AST024	ST024xxHDNC	29
AST025	ST025xxHDNC	31
AST027	ST027xxHDNC	39
AST041	ST041xxDDNN	24
AST045	ST045xxDDNC	33
AST047	ST047xxDDNC	40
AST055	ST055xxHBNC	32
AST057	ST057xxHBNC	40
AST059	ST059xxHBNC	46
AST061	ST061xxHDNN	23
AST065	ST065xxHDNN	31
AST067	ST067xxHDNN	39
AST072	ST072xxHGNN	25
AST082	ST072xxVGNN	25
AST095	ST095xxHDNN	32
AST098	ST098xxHDNN	43
AST105	ST105xxVDNN	36
AST108	ST108xxVDNN	44
AST125	ST125xxVDNN	37
AST128	ST128xxVDNN	45
AST135	ST135xxDDNC	34
AST137	ST137xxDDNC	41
AST139	ST139xxDDNC	46
AST145	ST145xxVDNN	37
AST175	ST175xxLDNN	34
AST176	ST176xxLDNN	38
AST177	ST177xxLDNN	41
AST178	ST178xxLDNN	43
AST185	ST185xxLDNN	35
AST186	ST186xxLDNN	38
AST187	ST187xxLDNN	42
AST188	ST188xxLDNN	44
AST213	SR213xxVBNC	28
AST215	SR215xxVBNC	35
AST223	SR213xxHBNC	26
AST225	SR215xxHBNC	30
AST233	SR213xxDBNC	27
AST235	SR215xxDBNC	33
FM202XXVBDN	FM202xxVBDN	224
FM202XXVBNN	FM202xxVBNN	224
FM20BXXVBDN	FM20BxxVBDN	216
FM20CXXVBDN	FM20CxxVBDN	219

P/N	Product name	Page
FM20CXXVBNN	FM20CxxVBNN	219
FR202XXHBDN	FR202xxHBDN	220
FR202XXHBNN	FR202xxHBNN	220
FR202XXVBDN	FR202xxVBDN	222
FR202XXVBDN0001	FR202xxVBDN0001	223
FR202XXVBDN0002	FR202xxVBDN0002	221
FR202XXVBNN	FR202xxVBNN	222
FR202XXVBNN0001	FR202xxVBNN0001	223
FR202XXVBNN0002	FR202xxVBNN0002	221
FR20BXXVBDN	FR20BxxVBDN	215
FR20BXXVBNN	FR20BxxVBNN	215
FR20CXXHBDN	FR20CxxHBDN	217
FR20CXXHBNN	FR20CxxHBNN	217
FR20CXXVBDN	FR20CxxVBDN	218
FR20CXXVBNN	FR20CxxVBNN	218
FW143XXVBFC	FW143xxVBFC	197
MJT5213111	Modul RJ45 Magnetics 10/100 MBit	231
MJT5214111	Modul RJ45 Magnetics 1 GBit	231
MJT5214211	Modul RJ45 Magnetics 1 GBit	231
MMT060A315	MMT060A315	280
MMT060A315-0001	MMT060A315	280
MMT361A315	MMT361A315	279
MMT361A315-0001	MMT361A315	279
MMT371A3B5	MMT371A3B5	279
MMT371A3B5-0001	MMT371A3B5	279
MMT471A115	MMT471A115	278
MMT471A115-0001	MMT471A115	278
MMT471A115-0002	MMT471A115	278
MMT471A315	MMT471A315	280
MMT471A315-0001	MMT471A315	280
MMT471A315-0002	MMT471A315	280
MMT471A315-0003	MMT471A315 in individual parts	281
MMT471A315-0004	MMT471A315 in individual parts	281
MMT471A315-0005	MMT471A315 in individual parts	281
MMTA70A315	MMTA70A315	281
MMW360A1A1	MMW360A1A1	277
MMW370A1A1	MMW370A1A1	277
MRS1100011-0G24	PCB Edge Connector vertical	232
MRS2000011-0G24	PCB Edge Connector horizontal for SFP	233
MRS2100011-0G24	PCB Edge Connector horizontal	232
MZT1110014	Metal Shield vertical	232
MZT2110014	Metal Shield horizontal	234
PM016XXVBHC	PM016xxVBHC	180
PM202XXHBDN	PM202xxHBDN	211
PM202XXHBNN	PM202xxHBNN	211
PM202XXVBDN	PM202xxVBDN	213
PM202XXVBNN	PM202xxVBNN	213
PM20BXXVBDN	PM20BxxVBDN	205
PM20BXXVBNN	PM20BxxVBNN	205
PM20CXXHBDN	PM20CxxHBDN	207
PM20CXXHBNN	PM20CxxHBNN	207
PM20CXXVBDN	PM20CxxVBDN	209
PM20CXXVBNN	PM20CxxVBNN	209
PR202XXHBDN	PR202xxHBDN	210
PR202XXHBNN	PR202xxHBNN	210
PR202XXVBDN	PR202xxVBDN	212
PR202XXVBNN	PR202xxVBNN	212
PR20BXXHBDN	PR20BxxHBDN	203
PR20BXXHBNN	PR20BxxHBNN	203
PR20BXXVBDN	PR20BxxVBDN	204
PR20BXXVBNN	PR20BxxVBNN	204
PR20CXXHBDN	PR20CxxHBDN	206
PR20CXXHBNN	PR20CxxHBNN	206
PR20CXXVBDN	PR20CxxVBDN	208
PR20CXXVBNN	PR20CxxVBNN	208
RP995XXVDNN	RP995xxVDNN	117
SC305XXHBNN	SC305xxHBNN	62
SL305XXHBNN	SL305xxHBNN	62
SM99S01VBNN00G7	SM99S	63
SM99S01VBNN01G7	SM99S	63
SM99S01VBNN02G7	SM99S	63
SM99S01VBNN03G7	SM99S	63
SM99S01VBNN04G7	SM99S	63
SM99S01VBNN05G7	SM99S	63
SP065XXVBNC	SP065xxVBNC	54
SP065XXVBNF	SP065xxVBNF	55
SP065XXVBPC	SP065xxVBPC	54
SP065XXVBPB	SP065xxVBPB	55
SP066XXVBNC	SP066xxVBNC	57
SP066XXVBNF	SP066xxVBNF	58
SP066XXVBPC	SP066xxVBPC	58

P/N	Product name	Page
SP066XXVBPF	SP066xxVBPF	59
SP995XXVBNC	SP995xxVBNC	56
SR213XXDBPC	SR213xxDBPC	27
SR213XXHBPC	SR213xxHBPC	26
SR213XXVBPC	SR213xxVBPC	28
SR215XXHBPC	SR215xxHBPC	30
SR215XXVBPC	SR215xxVBPC	36
SR99S01VBNN00G7	SR99S	63
SR99S01VBNN01G7	SR99S	63
SR99S01VBNN02G7	SR99S	63
SR99S01VBNN03G7	SR99S	63
SR99S01VBNN04G7	SR99S	63
SR99S01VBNN05G7	SR99S	63
SW063XXVBNN	SW063xxVBNN	48

Product name	P/N	Page	
360271	Single terminal block M3	360271	132
360272	Single terminal block M2.6	360272	129
360273	Single terminal block M2.6	360273	129
360291	Single terminal block M3	360291	131
360322	Single terminal block M3	360322	130
360381	Single terminal block M3	360381	131
360410	Single terminal block M3	360410	130
360425	Single terminal block M4	360425	132
AJP92A		AJP92A8813	258
AJS05G		AJS05G4413-001	268
AJS05G		AJS05G4413-005	268
AJS08G		AJS08G5513-001	271
AJS09G		AJS09G4413-001	271
AJS10G		AJS10G4413-001	272
AJS10G		AJS10G4413-301	272
AJS55A		AJS55A6611	261
AJS55A		AJS55A6613	261
AJS55A		AJS55A4411	264
AJS56A		AJS56A8811	237
AJS57A		AJS57A6613	260
AJS58B		AJS58BA811	243
AJS59L		AJS59L8811-0302	235
AJS59L		AJS59L8813-0302	235
AJS59L		AJS59L8811-0312	243
AJS59L		AJS59L8813-0312	243
AJT01B		AJT01B8813	245
AJT14G		AJT14G4413-001	272
AJT18L		AJT18L8813-010	249
AJT18L		AJT18L8813-020	249
AJT18L		AJT18L8813-030	249
AJT20G		AJT20G4413-001	269
AJT21G		AJT21G4413-001	266
AJT24G		AJT24G4413-001	266
AJT25G		AJT25G4423-001	267
AJT27G		AJT27G4423-001	269
AJT29G		AJT29G5513-001	270
AJT30G		AJT30G4413-001	270
AJT30G		AJT30G4413-002	270
AJT31L		AJT31L8811-01	249
AJT32L		AJT32L8841-010	252
AJT33G		AJT33G9913-001	267
AJT33L		AJT33L8813-014	253
AJT33L		AJT33L8813-064	253
AJT34L		AJT34L8813-011	253
AJT34L		AJT34L8813-014	253
AJT34L		AJT34L8813-034	253
AJT34L		AJT34L8814-031	253
AJT35L		AJT35L8824-031	255
AJT36L		AJT36L8883-090	251
AJT37L		AJT37L8884-094	255
AJT38L		AJT38L8813-011	254
AJT39L		AJT39L8813-021	254
AJT39L		AJT39L8813-031	254
AJT40L		AJT40L8813-030	250
AJT41L		AJT41L8841-011	256
AJT42C		AJT42C8883	238
AJT42C		AJT42C8821	238
AJT43C 1x2 Port		AJT43C6421	263
AJT43C 1x4 Port		AJT43C6642-001	263
AJT43L		AJT43L8881-011	256
AJT44L		AJT44L8821-014	257
AJT46C		AJT46C6623	262
AJT46D		AJT46D8883	248
AJT47C		AJT47C8841	239
AJT47D		AJT47D8843-003	246
AJT48D		AJT48D8824	247
AJT49D		AJT49D8843	247
AJT49D		AJT49D8883	247
AJT49D		AJT49D8884	247
AJT49D		AJT49D88G3	247
AJT52D		AJT52D8843	248
AJT60A		AJT60A8815	235
AJT65A		AJT65A8812-0002	236
AJT65B		AJT65B8813	241
AJT65B		AJT65B8814	241
AJT74B		AJT74B8813	244
AJT74B		AJT74B8814	244
AJT75B, 10P/10C		AJT75BA13	242
AJT75B, 10P/8C		AJT75BA813	242
AJT84A		AJT84A8813	237
AJT84A		AJT84A6613	261

Product name	P/N	Page	
AJT85A		AJT85A6613	259
AJT87A		AJT87A6612	259
AJT87A		AJT87A6611-041	259
AJT87A		AJT87A4411	265
AJT92B8813	Magnetics 10/100 MBit	AJT92B8813	240
AJT92B813	Magnetics 1 GBit	AJT92B813	240
AJT93B		AJT93B8813	244
AJT93D		AJT93DA823	246
AJT94B		AJT94B8813	241
Coding pin 700024	white Pin header	700024-01-9	297
Coding pin 700025	white Terminal block	700025-01-9	298
Coding pin 710121	short	710121-2	290
Coding pin 710122	long	710122-2	290
Coding pin 716846	blue	716846	293
Coding pin 716906	orange	716906	293
Coding pin 720159	long	720159-02-2	291
Coding pin 720159	short	720159-01-2	291
Coding pin 720161	long	720161-02-2	292
Coding pin 720161	short	720161-01-2	292
Coding pin 720243	gray	720243-01-4	297
Coding pin 720243	gray	720243-02-4	297
Coding pin 720243	orange	720243-01-3	296
Coding pin 720243	orange	720243-02-3	296
Coding pin 720293	black	720293-01-2	296
FM202xxVBDN		FM202XXVBDN	224
FM202xxVBNN		FM202XXVBNN	224
FM20BxxVBDN		FM20BXXVBDN	216
FM20CxxVBDN		FM20CXXVBDN	219
FM20CxxVBNN		FM20CXXVBNN	219
FR202xxHBDN		FR202XXHBDN	220
FR202xxHBNN		FR202XXHBNN	220
FR202xxVBDN		FR202XXVBDN	222
FR202xxVBDN0001		FR202XXVBDN0001	223
FR202xxVBDN0002		FR202XXVBDN0002	221
FR202xxVBNN		FR202XXVBNN	222
FR202xxVBNN0001		FR202XXVBNN0001	223
FR202xxVBNN0002		FR202XXVBNN0002	221
FR20BxxVBDN		FR20BXXVBDN	215
FR20BxxVBNN		FR20BXXVBNN	215
FR20CxxHBDN		FR20CXXHBDN	217
FR20CxxHBNN		FR20CXXHBNN	217
FR20CxxVBDN		FR20CXXVBDN	218
FR20CxxVBNN		FR20CXXVBNN	218
FT085xxVBFC		310261	198
FT143xxVBFC		310891	197
FW143xxVBFC		FW143XXVBFC	197
IT023xxHDNU		AIT023	137
Jumper 711047		711047	294
LED light transmitter RM 3.50 mm		700353-01-1216	295
LED light transmitter RM 3.50 mm		700353-02-1216	295
LED light transmitter RM 3.50 mm		700353-03-1216	295
LED light transmitter RM 3.81 mm		700333-01-1216	295
LED light transmitter RM 3.81 mm		700333-02-1216	295
LED light transmitter RM 3.81 mm		700333-03-1216	295
Metal Shield horizontal		MZT2110014	234
Metal Shield vertical		MZT1110014	233
MMT060A315		MMT060A315	280
MMT060A315		MMT060A315-0001	280
MMT361A315		MMT361A315	279
MMT361A315		MMT361A315-0001	279
MMT371A3B5		MMT371A3B5	279
MMT371A3B5		MMT371A3B5-0001	279
MMT471A115		MMT471A115	278
MMT471A115		MMT471A115-0001	278
MMT471A115		MMT471A115-0002	278
MMT471A315		MMT471A315	280
MMT471A315		MMT471A315-0001	280
MMT471A315		MMT471A315-0002	280
MMT471A315 in individual parts		MMT471A315-0003	281
MMT471A315 in individual parts		MMT471A315-0004	281
MMT471A315 in individual parts		MMT471A315-0005	281
MMTA70A315		MMTA70A315	281
MMW360A1A1		MMW360A1A1	277
MMW370A1A1		MMW370A1A1	277
Modul RJ45 Magnetics 1 GBit		MJT5214111	231
Modul RJ45 Magnetics 1 GBit		MJT5214211	231
Modul RJ45 Magnetics 10/100 MBit		MJT5213111	231
Mounting flange 710084 right		710084	285
Mounting flange 710085 left		710085	285
Mounting flange 720036 lock depth 1 mm		720036-01-4	289
Mounting flange 720036 lock depth 1.5 mm		720036-02-2	289

Product name	P/N	Page
Mounting flange 720158 lock depth 1 mm	720158-01-2	288
Mounting flange 720158 lock depth 1.5 mm	720158-02-2	288
Mounting flange 750150 right	750150	286
Mounting flange 750151 left	750151	286
Mounting flange 750313 right	750313	287
Mounting flange 750314 left	750314	287
PCB Edge Connector horizontal	MRS2100011-0G24	232
PCB Edge Connector horizontal for SFP	MRS2000011-0G24	233
PCB Edge Connector vertical	MRS1100011-0G24	232
PM013xxVBHC	314241	153
PM015xxVBHC	313171	167
PM016xxVBHC	PM016XXVBHC	180
PM025xxVBHC	313181	167
PM035xxVBHC	314171	170
PM202xxHBDN	PM202XXHBDN	211
PM202xxHBNN	PM202XXHBNN	211
PM202xxVBDN	PM202XXVBDN	213
PM202xxVBNN	PM202XXVBNN	213
PM20BXXVBDN	PM20BXXVBDN	205
PM20BxxVBNN	PM20BXXVBNN	205
PM20CxxHBDN	PM20CXXHBDN	207
PM20CxxHBNN	PM20CXXHBNN	207
PM20CxxVBDN	PM20CXXVBDN	209
PM20CxxVBNN	PM20CXXVBNN	209
Protection against accidental contact 711401	711401-092-02-2	294
Protection against accidental contact 711401	711401-092-03-2	294
PRO13xxVBHC	310241	146
PRO15xxVBHC	310171	166
PRO15xxVBVC	310271	166
PRO16xxVBHC	310181	179
PRO16xxVBVC	310281	180
PRO33xxVBHC	312241	150
PRO35xxVBHC	310461	168
PRO43xxHBBF	313881	147
PRO43xxHBNN	311881	146
PRO43xxVBBF	313891	151
PRO43xxVBBN	311891	151
PRO44xxHBBF	313901	155
PRO44xxHBNN	311901	155
PRO44xxVBBF	313911	157
PRO44xxVBBN	311911	157
PRO55xxVBHC	310481	168
PRO65xxHBBF	313961	160
PRO65xxHBNN	311761	159
PRO65xxHBEC	314761	159
PRO65xxVBBF	313971	170
PRO65xxVBBN	311771	169
PRO65xxVBEC	314771	169
PRO66xxHBBF	313981	181
PRO66xxHBNN	311781	176
PRO66xxHBEC	314781	176
PRO66xxVBBF	313991	181
PRO66xxVBBN	311791	182
PRO66xxVBEC	314791	182
PRO75xxHBEL	313371	160
PRO75xxHBER	313381	161
PR202xxHBDN	PR202XXHBDN	210
PR202xxHBNN	PR202XXHBNN	210
PR202xxVBDN	PR202XXVBDN	212
PR202xxVBNN	PR202XXVBNN	212
PR20BxxHBDN	PR20BXXHBDN	203
PR20BxxHBNN	PR20BXXHBNN	203
PR20BxxVBDN	PR20BXXVBDN	204
PR20BxxVBNN	PR20BXXVBNN	204
PR20CxxHBDN	PR20CXXHBDN	206
PR20CxxHBNN	PR20CXXHBNN	206
PR20CxxVBDN	PR20CXXVBDN	208
PR20CxxVBNN	PR20CXXVBNN	208
PT045xxHBNN	310301	162
PT045xxHBEC	310291	161
PT045xxHBVC	310311	162
PT045xxVBBN	310201	171
PT045xxVBEC	310191	171
PT049xxHBNN	310302	188
PT049xxHBVC	310312	188
PT049xxVBBN	310202	190
PT055xxVBHC	310391	163
PT065xxVBBN	310411	172
PT065xxVBVN	310421	172
PT069xxVBVN	310422	189
PT091xxHGBN	313741	145

Product name	P/N	Page
PT091xxVGBN	313731	145
PT093xxHBBF	313941	149
PT093xxHBNN	313421	149
PT093xxVBBN	313431	154
PT094xxHBBF	313921	156
PT094xxHBNN	313821	156
PT094xxVBBF	313931	158
PT094xxVBBN	313831	158
PT105xxHGDN	312801	163
PT105xxVGDN	312781	173
PT106xxHGDN	312921	177
PT106xxVGDN	312901	183
PT113xxHBNN	311821	150
PT113xxVBBN	311831	154
PT115xxHBBF	313361	165
PT115xxHBNN	313301	164
PT115xxHBEC	313291	164
PT115xxVBBF	313351	174
PT115xxVBBN	313201	174
PT115xxVBEC	313191	173
PT116xxHBBF	312361	178
PT116xxHBNN	312301	178
PT116xxHBEC	312291	177
PT116xxVBBF	312351	184
PT116xxVBBN	312201	184
PT116xxVBEC	312191	183
PT118xxHBBC	312661	186
PT118xxHBEC	312651	186
PT118xxVBBC	312641	187
PT118xxVBEC	312631	187
PT119xxHBBF	313362	189
PT119xxVBBF	313352	191
PT119xxVBBN	313202	190
PT11AxxHBBF	312362	193
PT11AxxHBNN	312302	192
PT11AxxHBEC	312292	192
PT11AxxVBBF	312352	194
PT11AxxVBBN	312202	194
PT11AxxVBEC	312192	193
PT165xxHGDN	312761	165
PT165xxVGDN	312741	175
PT166xxHGDN	312881	179
PT166xxVGDN	312861	185
PT175xxVGDN	312701	175
PW063xxHBBF	315251	148
PW063xxHBNN	315231	148
PW063xxHBEC	315271	147
PW063xxVBBF	315261	153
PW063xxVBBN	315241	152
PW063xxVBEC	315281	152
RP013xxVBWN	311691	105
RP015xxSBLC	313501	114
RP015xxVBLC	313491	113
RP015xxVBLF	313511	114
RP015xxWBLC	310491	113
RP015xxWBWC	310091	112
RP016xxSBLC	312501	119
RP016xxVBLC	312491	118
RP016xxVBLF	312511	119
RP018xxVBLC	312621	122
RP019xxVBLC	313492	124
RP019xxVBLF	313512	125
RP019xxWBLC	310492	123
RP01AxxVBLC	312492	126
RP01AxxVBLF	312512	126
RP023xxHBNF	311651	100
RP023xxHBWC	311661	100
RP025xxHBLC	312071	110
RP025xxHBWC	311071	109
RP025xxIBLC	311371	110
RP025xxIBWC	310071	108
RP025xxIBWU	310771	108
RP025xxMBWC	311081	109
RP026xxIBWU	310791	118
RP029xxIBWC	310072	123
RP033xxVBLC	313391	105
RP034xxHBLN	311141	106
RP034xxHBLO	311131	106
RP034xxVBLF	313791	107
RP034xxVBLN	313691	107
RP035xxHBLC	313131	116

Product name	P/N	Page
RP035xxHBLD	313141	116
RP035xxBLN	310131	115
RP036xxHBLC	312131	120
RP036xxHBLD	312141	120
RP036xxHBLF	312171	121
RP036xxHBL5	312181	121
RP039xxHBLC	313132	124
RP03AxxHBLC	312132	127
RP03AxxHBLD	312142	127
RP03AxxHBLF	312172	128
RP03AxxHBL5	312182	128
RP043xxHBLC	316141	101
RP043xxHBLD	316131	101
RP043xxHBLF	316341	102
RP043xxHBL5	316331	102
RP085xxVBLC	313481	115
RP095xxBBWC	311571XX-002730	111
RP095xxHBWC	311571XX-002740	112
RP095xxRBWC	311571	111
RP995xxVDNN	RP995XXVDNN	117
RT015xxHDWC	310011	75
RT015xxHDWU	310551	75
RT015xxVDWC	310631	84
RT016xxHBWC	311011	86
RT016xxVBWC	311631	89
RT019xxHDWC	310012	93
RT019xxHDWU	310671	93
RT019xxVDWC	310632	97
RT01AxxVBWC	311632	99
RT025xxHBLC	310711	78
RT025xxHBLU	310721	78
RT025xxHDLL	313851	82
RT025xxHDLR	313861	83
RT025xxOGLU	310651	82
RT026xxHBLU	310731	89
RT027xxHBLC	311751	91
RT029xxHBLC	310712	96
RT033xxHBLU	313591	71
RT033xxVBLU	313611	73
RT034xxHBLC	310861	74
RT035xxHBLU	310941	80
RT036xxHBLU	310951	87
RT043xxLBLC	313051	72
RT045xxHBWC	310031	76
RT045xxMBWC	310691	77
RT045xxUBLU	312051	84
RT046xxHBWU	310831	87
RT049xxHBWC	310032	94
RT049xxMBWC	310692	95
RT049xxUBLU	312052	97
RT055xxHBLC	310111	77
RT056xxHBLU	310151	86
RT059xxHBLC	310112	95
RT063xxHBNC	310601	69
RT063xxHBWC	310591	69
RT063xxOBWC	314591	70
RT063xxPBWC	314611	70
RT063xxVBWC	310611	72
RT075xxHBLU	310921	81
RT076xxHBLU	310931	88
RT083xxDBWC	311051	71
RT085xxDBWC	310051	83
RT095xxVBWC	311471	85
RT099xxVBWC	311472	98
RT10NxxHGLU	317031	92
RT11LxxHGLU	317011	90
RT135xxHBWC	312711	76
RT137xxHBWC	311711	91
RT139xxHBWC	312712	94
RT145xxHBVC	312041	79
RT145xxMBLC	312691	79
RT149xxMBLC	312692	96
RT165xxHBNC	311701	80
RT205xxHBLU	310961	81
RT206xxHBLU	310971	88
RW043xxHBLC	315141	103
RW043xxHBLD	315131	103
RW043xxHBLF	315341	104
RW043xxHBL5	315331	104
SC305xxHBNN	SC305XXHBNN	62
Screwdriver 791989 2.5 mm	791989	299

Product name	P/N	Page
Screwdriver 791990 3.0 mm	791990	299
SL305xxHBNN	SL305XXHBNN	62
SM01W	ASM01W0164-0G16	64
SM01W	ASM01W0164-1G16	64
SM01W	ASM01W0164-2G16	64
SM01W	ASM01W0164-3G16	64
SM01W	ASM01W0164-4G16	64
SM01W	ASM01W0164-5G16	64
SM01Y	ASM01Y0164-0G16	64
SM01Y	ASM01Y0164-1G16	64
SM01Y	ASM01Y0164-2G16	64
SM01Y	ASM01Y0164-3G16	64
SM01Y	ASM01Y0164-4G16	64
SM01Y	ASM01Y0164-5G16	64
SM99S	SM99S01VBNN00G7	63
SM99S	SM99S01VBNN01G7	63
SM99S	SM99S01VBNN02G7	63
SM99S	SM99S01VBNN03G7	63
SM99S	SM99S01VBNN04G7	63
SM99S	SM99S01VBNN05G7	63
SP025xxHDNC	ASP025	52
SP043xxVBNN	ASP043	48
SP044xxVBNN	ASP044	50
SP045xxVBNC	ASP045	53
SP046xxVBNC	ASP046	57
SP049xxVBNC	ASP049	60
SP04AxxVBNC	ASP04A	61
SP051xxVGNN	ASP051	47
SP063xxVGNF	ASP063	49
SP063xxVGNN	ASP063	49
SP064xxVGNF	ASP064	51
SP064xxVGNN	ASP064	50
SP065xxVBNC	SP065XXVBNC	54
SP065xxVBNF	SP065XXVBNF	55
SP065xxVBPC	SP065XXVBPC	54
SP065xxVBPF	SP065XXVBPF	55
SP066xxVBNC	SP066XXVBNC	57
SP066xxVBNF	SP066XXVBNF	58
SP066xxVBPC	SP066XXVBPC	58
SP066xxVBPF	SP066XXVBPF	59
SP129xxVBNF	ASP129	60
SP145xxHBNC	ASP145	52
SP155xxHBNC	ASP155	53
SP995xxVBNC	SP995XXVBNC	56
SR213xxDBNC	AST233	27
SR213xxDBPC	SR213XXDBPC	27
SR213xxHBNC	AST223	26
SR213xxHBPC	SR213XXHBPC	26
SR213xxVBNC	AST213	28
SR213xxVBPC	SR213XXVBPC	28
SR215xxDBNC	AST235	33
SR215xxHBNC	AST225	30
SR215xxHBPC	SR215XXHBPC	30
SR215xxVBNC	AST215	35
SR215xxVBPC	SR215XXVBPC	36
SR99S	SR99S01VBNN00G7	63
SR99S	SR99S01VBNN01G7	63
SR99S	SR99S01VBNN02G7	63
SR99S	SR99S01VBNN03G7	63
SR99S	SR99S01VBNN04G7	63
SR99S	SR99S01VBNN05G7	63
ST021xxHDNN	AST021	23
ST024xxHDNC	AST024	29
ST025xxHDNC	AST025	31
ST027xxHDNC	AST027	39
ST041xxDDNN	AST041	24
ST045xxDDNC	AST045	33
ST047xxDDNC	AST047	40
ST055xxHBNC	AST055	32
ST057xxHBNC	AST057	40
ST059xxHBNC	AST059	46
ST061xxHDNN	AST061	23
ST065xxHDNN	AST065	31
ST067xxHDNN	AST067	39
ST072xxHGNN	AST072	25
ST072xxVGNN	AST082	25
ST095xxHDNN	AST095	32
ST098xxHDNN	AST098	43
ST105xxVDNN	AST105	36
ST108xxVDNN	AST108	44
ST125xxVDNN	AST125	37

Product name	P/N	Page
ST128xxVDNN	AST128	45
ST135xxDDNC	AST135	34
ST137xxDDNC	AST137	41
ST139xxDDNC	AST139	46
ST145xxVDNN	AST145	37
ST175xxLDNN	AST175	34
ST176xxLDNN	AST176	38
ST177xxLDNN	AST177	41
ST178xxLDNN	AST178	43
ST185xxLDNN	AST185	35
ST186xxLDNN	AST186	38
ST187xxLDNN	AST187	42
ST188xxLDNN	AST188	44
SW063xxVBNN	SW063XXVBNN	48

A powerful team!



Always there for you!

The success of METZ CONNECT is based on competence and the commitment of their worldwide active personnel. Out of their knowledge, qualification and experience that they contribute in the different areas result the successful, reliable and high-quality solutions for your networks. In our sales teams work excellent professionals with profound knowledge of the different product ranges, technologies and markets. They do not want to be just sales people but your contact and consultant to work out together with you the ideal solution for your networks. Your demands mean challenge to us and to offer you the matching solution will be the confirmation for our work.

So just put the rules to the test – give us a challenge!

METZ CONNECT worldwide	346
Contacts	347
General Information	348

METZ CONNECT worldwide



SALES OFFICES

METZ CONNECT USA Inc.

200 Tornillo Way
Tinton Falls, NJ 07712
USA
Phone +1.732.3891300
Fax +1.732.3899066
www.metz-connect.com



METZ CONNECT France SAS

28, Rue Schweighaeuser
67000 Strasbourg
France
Phone +33.3.88617073
Fax +33.3.88619473
www.metz-connect.com

METZ CONNECT GmbH

Im Tal 2
78176 Blumberg
Germany
Phone +49.7702.533-0
Fax +49.7702.533-189
www.metz-connect.com



BTR swiss AG

Postfach 162
9425 Thal
Switzerland
Phone +41.71.9201030
Fax +41.71.9201031
www.metz-connect.com

METZ CONNECT

Bredaseweg 185
4872 LA Etten-Leur
Netherlands
Phone +31.76.5083410
Fax +41.76.5083501
www.metz-connect.com

METZ CONNECT

Russia
127411 Moscow
Dmitrovskoe Chaussee
House 157, Building 5,
Office 5339
Phone +7.495.5143802
www.metz-connect.com

METZ CONNECT (SINGAPORE) PTE. LTD.

1 Kaki Bukit Ave 3
#04-08, KB-1
Singapore 416087
Phone +65.6747.0998
Fax +65.6746.3120
www.metz-connect.com



Shanghai Branch

140, Tian Lin Road,
Building Number 28,
Unit 1F-25
XuHui, Shanghai 200233
China
Phone +86.21.33634228
Phone +86.21.33634334
Fax +86.21.33634224

METZ CONNECT Asia Pacific Limited

Suite 701, 7/F,
Chinachem
Hollywood Centre
1-13 Hollywood Road
Central
Hong Kong

PRODUCTION SITES

MCQ TECH GmbH

Ottilienweg 9
78176 Blumberg
Germany
Phone +49.7702.533-0
Fax +49.7702.533-433
www.metz-connect.com



METZ CONNECT Hungary Kft

1201 Budapest
Helsinki út 51
Hungary
Phone +36.1.2891020
Fax +36.1.2840947



METZ CONNECT Zhongshan Ltd.

Ping Chang Road
Ping Pu Industrial Park
Sanxiang Town
Zhongshan City
Guangdong Province
China, Zip code: 528463



Contact

Contacts

You will find your responsible contacts for your sector in your region at our website:
<http://www.metz-connect.com/en/contact-search>



Please note

General Information

All the information, descriptions and illustrations given in this catalog are non-binding. It does in no way entitle to deduce warranty claims.

Subject to change without prior notice.

No liability accepted for printing errors.

© METZ CONNECT GmbH, Im Tal 2, 78176 Blumberg, Germany

All rights reserved, especially the right of reproduction and translation. Reproduction or electronic storage, processing, copying and publication of any part of this document is subject to prior approval by METZ CONNECT GmbH.

Terms and Conditions of Sale, Delivery and Payment

of METZ CONNECT GmbH (HRB 611606)

Im Tal 2 | 78176 Blumberg | Germany

I. Sphere of application, validity

- 1.1 The Terms and Conditions of Sale, Delivery and Payment set out below shall apply to all transactions and deliveries between ourselves and undertakings (Section 14 BGB (Civil Code) and with legal entities under public law and public law special trust assets.
- 1.2 Our Terms and Conditions of Sale, Delivery and Payment shall not apply to transactions with consumers (Section 13 BGB).
- 1.3 Conditions which are contrary or which vary from our own Terms and Conditions of Sale, Delivery and Payment, unless we have explicitly approved their validity in writing or in text format. Our Terms and Conditions of Sale, Delivery and Payment shall still apply, even if we execute delivery to the customer in the knowledge that the customer's terms and conditions are contrary to or vary from our own Terms and Conditions of Sale, Delivery and Payment.
- 1.4 In the case of orders and deliveries between ourselves and foreign customers, it is agreed that the law of the **Federal Republic of Germany** shall apply to all business relations, irrespective of their legal basis. The contractual language for our business relations with a foreign customer is either German or English, at our option. Our choice will be made based on the language we use when dealing with the customer.
- 1.5 If our products are exported, we are not liable for ensuring that they are capable of being exported, nor are we responsible for the procuring of official authorizations, nor for the compliance with any regulations concerning foreign trade in the designated land of exportation. The customer is responsible for verifying and ensuring that all national regulations of the specific land of exportation are complied with.
- 1.6 If one or several provisions of these terms and conditions should be void regardless of the legal basis the validity of the other provisions shall not be affected thereby.

II. Contract conclusion, scope of delivery

- 2.1 Our quotations shall be without commitment.
- 2.2 A contract shall be deemed to have been concluded exclusively on the basis of our order confirmation which shall be drawn up in writing or in text format. The order confirmation shall contain our delivery commitments and shall specify the condition of the products to be delivered. The condition and performance of our products are additionally in agreement with the specifications of the catalogue valid at the time of our order confirmation. Ancillary agreements and subsequent agreements must be set out in writing or in text format.
- 2.3 If we fail to provide the customer any confirmation of its order, then forwarding of the delivery with an invoice and/or delivery note shall equate to acceptance of the order.
- 2.4 The condition of the product to be delivered shall additionally be determined by means of the article number and article description to which reference is made in the order confirmation or in the delivery note or the invoice.
- 2.5 The customer must check all his dimensional and product requirements. We are not obliged to verify the dimensions, the product data and the specifications given by the customer. The customer is responsible for verifying the compatibility of the components he uses together with our products when he uses our products together with other components (e.g. plugs for our socket,) and is likewise responsible for ensuring that these uses comply with national and EU standards and guidelines.

III. Delivery time, transfer of risk

- 3.1 The delivery time shall be deemed to have been agreed as approximate. It shall be deemed to be a fixed date only where it has been explicitly designated as such.
- 3.2 If we are prevented from or hindered in performance of our assignment through the occurrence of unforeseen events, which we were unable to avert despite applying the level of due care which could be expected of us in the circumstances, irrespective of whether such events occur at our own premises or at those of our subsidiary suppliers, e.g. breakdowns, delay in the delivery of key vendor parts, official measures, embargo, risk of war, force majeure or strike, then the delivery period shall be extended by the duration of such hindrance. If delivery or performance is impossible as a result of the circumstances listed, then we shall be exempted from our delivery commitment.
- 3.3 The risk for individual deliveries shall pass to the customer at the time of dispatch of the goods or their delivery to the carrier/freight **ex works Blumberg** (EXW Incoterms 2000).
- 3.4 The customer must take delivery of and store shipped and delivered goods, even if these are defective. In doing so, the customer does not waive his rights to give notice of and claim for defects.
- 3.5 Part deliveries and part performances shall be admissible. These shall be deemed to be independent deliveries and may be charged immediately.
- 3.6 In the case of special production orders, we reserve the right to under-/over-deliver by up to 10 % of the delivery quantities ordered and/or for which the order has been confirmed.

IV. Prices, payments

- 4.1 Unless otherwise agreed, our prices shall be held to be ex works Blumberg in euro. VAT at the statutory rate shall be added to the prices.
- 4.2 Unless explicitly agreed otherwise, payments shall fall due within 14 days of the invoice date subject to 2 % discount, and net within 30 days. Discounts shall be applied only on the ex works price, excluding freight, shipment and other incidental costs, and only provided all the customer's debts arising out of the business relationship have been paid. The statutory provisions shall apply in the event of default.
- 4.3 The customer is not permitted to retain any payments because of notice of defects or other counterclaims which we have not recognized or which have not become res judicata, nor is he permitted to offset the payments against such counterclaims.

V. Reservation of ownership

- 5.1 The customer shall provide us with the following agreed collateral for all our claims against it arising out of the business relationship, irrespective of their legal basis. The customer shall have authority to demand the release of collateral inasmuch as it exceeds 20 % of the value of our claims. We shall be obliged to release individual items of collateral, and may select which items to release.
- 5.2 The goods delivered shall remain our property until payment in full of the purchase price and of all claims of any kind arising out of the entire business relationship. Ownership shall not transfer until all payments, including all incidental claims, have been paid. Only the date of encashment shall apply in the event of payments by cheque. The customer shall not be entitled to pledge the goods or to transfer their ownership by way of security.
- 5.3 In the event of behaviour by the customer in breach of contract, or of default on its part, we shall have authority to take back the goods and to oblige the customer to hand them over. If we assert our reservation of ownership and attach goods, this shall not signify withdrawal from the contract. Section 449 (2) BGB shall be excluded.
- 5.4 The customer shall only be authorised to resell within the ordinary course of its business. It hereby assigns to us the resulting receivable, in the amount of our final invoice including VAT, and undertakes to supply the name and address of the third party debtor and the amounts of the receivables in question, upon request. The receivable arising from resale of our goods **may not be assigned to third parties, including banks.**
- 5.5 The customer shall be obliged to insure all goods not paid for against losses, in particular against fire, water damage and breakage. The customer undertakes to supply us with the name of the indemnity insurer concerned and shall assign to us its claim against the insurer concerned with respect to unpaid goods at the time of occurrence of the insured loss, by way of provisional performance.
- 5.6 If, in the case of a delivery for export, the above provision in relation to reservation of ownership is invalid in the country of export, or if it must be supplemented and/or requires registration in order to be valid, then the customer shall be obliged and we shall have authority to conclude a collateral agreement according to the law of the country of export, which comes as close as possible to the commercial purpose of our purchase price collateral, and to undertake the requisite registration. If the export customer is in default with payments, then we shall have authority to take possession of the goods and to store these separately or outside the customer's business premises, without this implying withdrawal from the contract or cancellation thereof.

VI. Obligation to serve notice of a defect, performance problems, material defects, liability

- 6.1 **The customer's duty to serve notice of a defect and duty of care**
 - 6.1.1 It is the customer's responsibility to examine the products delivered by us for faults or defects and to verify the quantities delivered within four days of delivery and to inform us within 14 days of any faults, defects or deviations in quantity in such a way that we are able to identify faults, defects or deviations in quantity, so that we may comply with our obligation to carry out remedial work.
 - 6.1.2 If the customer learns of breaches of duty and/or material defects with respect to the products supplied to him by us and by him to his customers, then he undertakes to inform us immediately in such a way that we shall be in a position to confirm the defaults indicated and/or defects at the place of use. If we are not notified immediately, then our customer shall be deemed to have approved the goods.
 - 6.1.3 In the event of recourse by a customer against a supplier or based on the supply chain due to material defects experienced by the customer as a result of our product, our customer undertakes to only carry out subsequent performance towards its own customer or towards customers entitled under the supply chain after consultation with ourselves to determine the appropriate technical and commercial measures.
- 6.2 **Rights in relation to defects**
 - 6.2.1 In the event of defaults, breaches of duty and/or material defects, we shall have the right vis-à-vis the customer to elect to remedy the defect by replacement or to remedy it in another manner within a reasonable period. The right of remedy shall be restricted to two attempted remedies. If the default, breach of duty and/or material defect occurs at the customer's place of delivery or at the place of delivery of one of his customers within a supply chain, then the customer must give us the opportunity of carrying out our rectification at the place of delivery of our product.
 - 6.2.2 Our customer undertakes not to acknowledge any claims based on defects by his own customer or third parties within the supply chain without consulting with ourselves.
- 6.3 **Liability**
 - 6.3.1 In the event of serious breaches of duty and default with respect to „cardinal“ duties and duties of performance and/or material defects, we shall be absolutely liable in the event of
 - gross culpability
 - grossly negligent culpability on the part of our Managing Directors and/or senior executives
 - culpable injury to the life, limb or health of individuals
 - material defects which have been fraudulently concealed
 - guarantees explicitly given in writing
 - defects in products, insofar as there is liability for personal injury or material damage under the Product Liability Act.
 - 6.3.2 In the event of negligent breach of duty, performance problems or materials defects caused, for which we are culpable, our liability shall be restricted to remedy or replacement delivery and/or to reimbursement of expenses.
 - 6.3.3 We accept no liability towards our customers in the event of breaches of non-essential duties, defaults and other incidental duties, nor do we accept liability for non-essential deviations from specifications relating to the performance and condition of our products.
 - 6.3.4 All claims for damages against us shall be restricted to such damages which are foreseeable for us at the time of conclusion of the contract through the use of the products delivered by us.
 - 6.3.5 In the event that we are obliged to pay damages on the basis of negligent culpability, our duty to pay indemnity and/or for expenses shall be restricted to 5 times the product price per occurrence, and in the event of serial losses, to 3 times the product price per defective product, plus the replacement product concerned.
 - 6.3.6 In the event that the customer exports our products, including using them for further processing or as components, we shall not be liable for ensuring that the products are capable of being exported, nor for ensuring that no official approval is required nor for the freedom to import them in our customer's countries of importation.
 - 6.3.7 Claims of the customer based on claims for defects or breaches of duty contrary to contract shall become barred by limitation after a period of one year. The start of this period is determined by the date of the delivery note indicating the delivery of the product. The one-year period of limitation shall not apply if, according to a mandatory legal regulation, the limitation period is longer; this shall also apply in the event of injury to life, limb or health; of intentional or grossly negligent culpability on our part; and of fraudulent intent by ourselves or our staff; and of failure to disclose a defect; in which case the legal provisions shall apply.

VII. Product Liability

- 7.1 Should we, owing to omissions or defects in the performance of the object of delivery or owing to faulty advice, information or suggestions for use, be responsible for damages suffered by our customer, including on the basis of product liability provisions, during or after the term of the contract, the provisions governing liability for defects in the delivery as defined in VI between us and the customer shall apply to the exclusion of all other claims regardless of the basis of such claims. Should the exclusion of liability or limitation of liability for product liability as outlined above be invalid and on the merits of the situation should we be liable to our customer, **liability shall be limited to the respective amounts of the insurance sum for personal damages and damages to property provided by the insurance coverage** taken out by us with our insurance agent.
- 7.2 Should a case of product liability arise, the customer shall not assert any claims whatsoever for damages to property greater than the sum covered by our insurance agent.
- 7.3 We and our customer exclude any assertion of claims for product liability asserted by third parties as a result of assignments of the third party to the customer. The customer is not entitled to assert claims against us originating from the supply chain.
- 7.4 We and our customer undertake to aid one another in fending off any such claims which may be asserted by third parties.

VIII. Guarantee declarations

- 8.1 **Any guarantee declaration must be made separately in writing and shall not be included in the order confirmation.**
- 8.2 **A guarantee declaration shall only validly materialise provided it is signed by a managing director with sole signatory authority or by a managing director with joint representative authority together with another managing director or a prokurist [officer with statutory authority].**
- 8.3 **Provisions relating to condition and performance descriptions and/or product specifications shall not contain any guarantee declarations. The assumption of tacit guarantees shall be explicitly excluded.**

IX. Data Protection

- 9.1 We are entitled to store and process customer data we receive as a result of our business relations, insofar as the customer is entitled to dispose of this data, for use in our business relations.

X. Place of performance, Venue

- 10.1 Place of performance and venue for delivery and payment for the business relation with our customer is Blumberg.

METZ CONNECT GmbH is member in the following organizations and associations.



We realize ideas

METZ CONNECT GmbH

Im Tal 2
78176 Blumberg
Germany

Phone +49 77 02 533-0
Fax +49 77 02 533-189

info@metz-connect.com
www.metz-connect.com

METZ CONNECT USA Inc.

200 Tornillo Way
Tinton Falls, NJ 07712
USA
Phone +1-732-389-1300
Fax +1-732-389-9066
www.metz-connect.com

METZ CONNECT France SAS

28, Rue Schweighaeuser
67000 Strasbourg
France
Phone +33 3886 17073
Fax +33 3886 19473
www.metz-connect.com

METZ CONNECT

Russia
127411 Moscow
Dmitrovskoe Chaussée
House 157, Building 5, Office 5339
Phone +7 495 5143802
www.metz-connect.com

METZ CONNECT

Bredaseweg 185
4872 LA Etten-Leur
Netherlands
Phone +31 76 508 34 10
Fax +31 76 508 35 01
www.metz-connect.com

METZ CONNECT (SINGAPORE) PTE. LTD.

1 Kaki Bukit Ave 3
#04-08, KB-1
Singapore 416087
Phone +65 67 47 09 98
Fax +65 67 46 31 20
www.metz-connect.com

Shanghai Branch

140, Tian Lin Road,
Building Number 28, Unit 1F-25
Xuhui, Shanghai 200233
China
Phone +86 21 33 63 42 28
Phone +86 21 33 63 43 34
Fax +86 21 33 63 42 24



799026-02 | 01/2015

