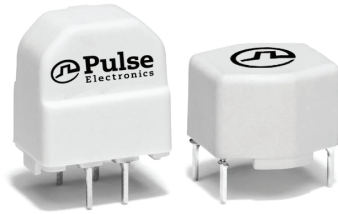


Current Compensated Noise Suppression Chokes

FE 2X Series - 2 Phase Common Mode Choke



- Materials meet UL-94 V-0 requirements
- Rated voltage: 250 Vac
- Dielectric withstanding voltage: 1500 Vac

Electrical Specifications @ 25°C - Operating Temperature -40°C to +125°C

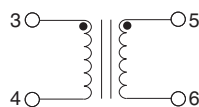
Part Number (Vertical)	Part Number (Horizontal)	L (mH ±30%)	Current (A)	DCR (mOhms Max)	SRF (kHz Min)
FE2X03-3-2NL	FE2X03-3-3NL	3.3	1.50	215	760
FE2X03-4-2NL	FE2X03-4-3NL	3.3	2.50	90	400
FE2X03-5-2	-	3.1	2.80	66	500
FE2X03-6-2NL	-	3.3	4.00	80	600
-	FE2X03-8-3	3.3	8.00	33	700
FE2X07-3-2NL	FE2X07-3-3NL	6.8	1.20	39	400
FE2X07-5-2NL	FE2X07-5-3	6.8	2.00	170	400
FE2X07-6-2	-	6.8	2.20	210	480
FE2X10-3-2NL	FE2X10-3-3NL	10	0.70	740	300
FE2X10-4-2NL	FE2X10-4-3	10	1.20	410	350
FE2X10-5-2	-	10	1.60	260	300
FE2X10-6-2NL	-	10	1.80	240	300
FE2X15-3-2NL	FE2X15-3-3	15	0.50	960	300
FE2X15-4-2	-	15	1.00	530	220
FE2X18-6-2NL	-	18	1.40	650	200
FE2X27-3-2NL	FE2X27-3-3NL	27	0.40	1700	180
FE2X27-4-2	FE2X27-4-3NL	27	0.70	820	150
FE2X39-3-2NL	FE2X39-3-3NL	39	0.35	2600	200
FE2X39-4-2NL	FE2X39-4-3NL	39	0.50	1500	160
FE2X39-5-2	-	39	0.70	1300	160
FE2X47-3-2	-	47	0.30	2900	100
FE2X47-4-2NL	-	47	0.40	1700	150

Notes:

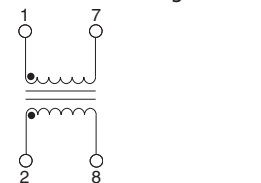
1. Part Numbering System: **FE2XLV-S-P**, where **LV** is the inductance value, **S** is the size code, and **P** is package style (2 = vertical and 3 = horizontal)
2. Part numbers with NL suffix are RoHS 6/6 compliant.

Schematics

Style 2 - Vertical Package



Style 3 - Horizontal Package



USA 858 674 8100

Germany 49 7032 7806 0

Singapore 65 6287 8998

Shanghai 86 21 62787060

China 86 755 33966678

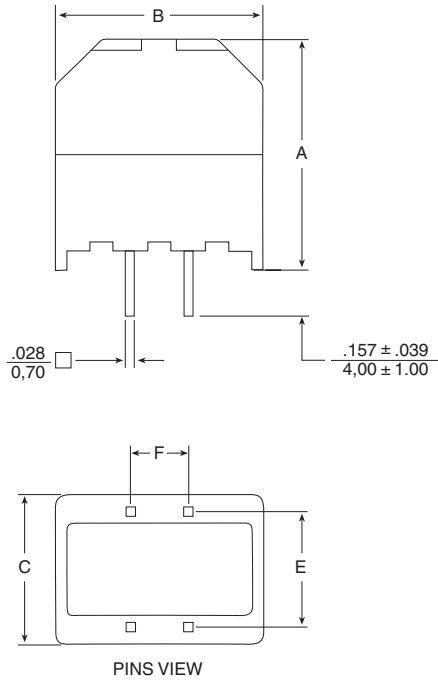
Taiwan 886 3 4356768

Current Compensated Noise Suppression Chokes

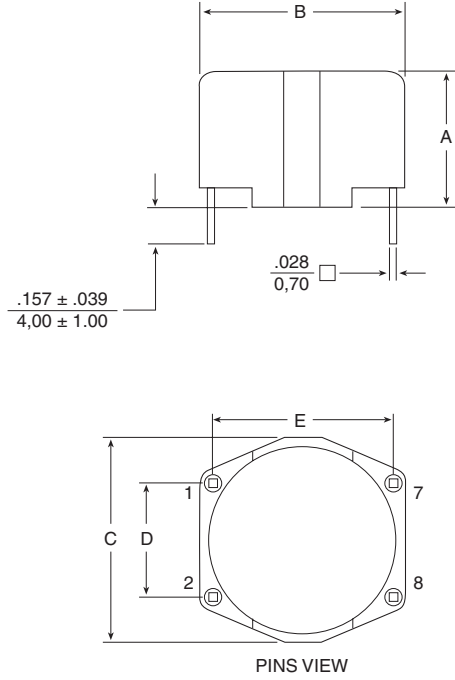
FE 2X Series - 2 Phase Common Mode Choke

Mechanicals

Style 2 - Vertical Package



Style 3 - Horizontal Package



Dimensions: $\frac{\text{Inches}}{\text{mm}}$

Size Code	A MAX	B MAX	C MAX	E	F
3	$\frac{.803}{20,40}$	$\frac{.724}{18,40}$	$\frac{.528}{13,40}$	$\frac{.394}{10,00}$	$\frac{.197}{5,00}$
4	$\frac{1.000}{25,40}$	$\frac{.921}{23,4}$	$\frac{.626}{15,90}$	$\frac{.492}{12,50}$	$\frac{.394}{10,00}$
5	$\frac{1.197}{30,40}$	$\frac{1.079}{27,40}$	$\frac{.724}{18,40}$	$\frac{.591}{15,00}$	$\frac{.492}{12,50}$
6	$\frac{1.394}{35,40}$	$\frac{1.276}{32,40}$	$\frac{.724}{18,40}$	$\frac{.591}{15,00}$	$\frac{.492}{12,50}$

Notes: Tolerances for E & F are $\pm .010 / 0,25$

Size Code	A MAX	B MAX	C MAX	D	E
3	$\frac{.508}{12,90}$	$\frac{.705}{17,90}$	$\frac{.705}{17,90}$	$\frac{.394}{10,00}$	$\frac{.591}{15,00}$
4	$\frac{.606}{15,40}$	$\frac{.902}{22,90}$	$\frac{.902}{22,90}$	$\frac{.492}{12,50}$	$\frac{.787}{20,00}$
5	$\frac{.705}{17,90}$	$\frac{1.098}{27,90}$	$\frac{1.098}{27,90}$	$\frac{.591}{15,00}$	$\frac{.984}{25,00}$
8	$\frac{1.000}{25,40}$	$\frac{1.709}{43,40}$	$\frac{1.669}{42,40}$	$\frac{.591}{15,00}$	$\frac{1.575}{40,00}$

Notes: Tolerances for D & E are $\pm .010 / 0,25$

For More Information

Pulse Worldwide Headquarters
12220 World Trade Drive
San Diego, CA
92128
U.S.A.

Tel: 858 674 8100

Pulse Europe
Einsteinstrasse 1
D-71083 Herrenberg
Germany

Tel: 49 7032 7806

Pulse China Headquarters
B402, Shenzhen Academy of
Aerospace Technology Bldg.
10th Kejinan Road
High-Tech Zone
Nanshan District
Shenzhen, PR China
518057

Pulse North China
Room 2704/2705
Super Ocean Finance
Ctr.
2067 Yan An Road
West
Shanghai 200336
China

Pulse South Asia
135 Joo Seng Road
#03-02
PM Industrial Bldg.
Singapore 368363

Tel: 65 6287 8998
Fax: 65 6287 8998

Pulse North Asia
3F, No. 198
Zhongyuan Road
Zhongli City
Taoyuan County 320
Taiwan R. O. C.
Tel: 886 3 4356768
Fax: 886 3 4356823
(Pulse)

Performance warranty of products offered on this data sheet is limited to the parameters specified. Data is subject to change without notice. Other brand and product names mentioned herein may be trademarks or registered trademarks of their respective owners. © Copyright, 2014, Pulse Electronics, Inc. All rights reserved.