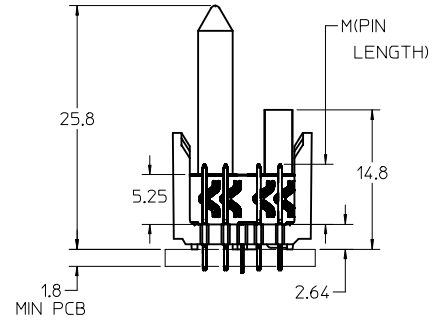
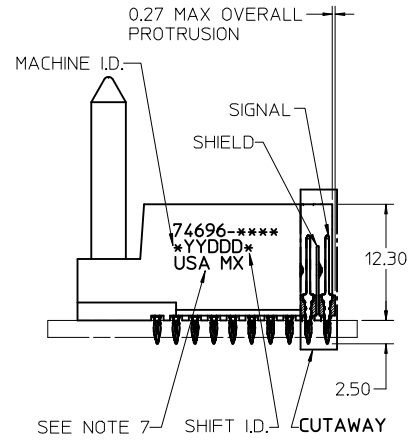


Ø 0.66 DRILL
 Ø0.56 +0.05 PTH
 Ø1.00 PAD
 ⊕ Ø 0.10

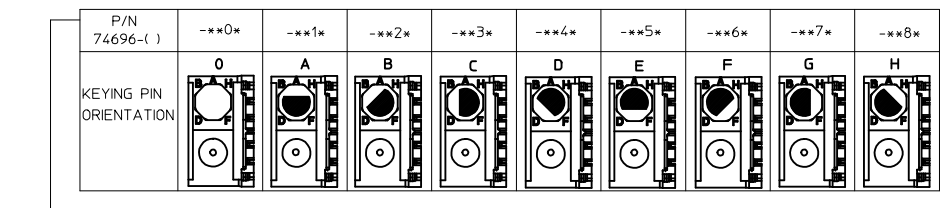
BACKPLANE HOLE PATTERN
RECOMMENDED DIMENSIONS



- NOTES:
- MATERIAL: HOUSING -LIQUID CRYSTAL POLYMER (LCP) GLASS-FILLED. UL 94 V-0. COLOR BLACK. SIGNAL & SHIELD -COPPER ALLOY.
 - FINISHES: SELECTIVE GOLD (Au) ON CONTACT AREA. SELECTIVE MATTE TIN ON PCB TAILS. NICKEL (Ni) OVERALL.
 - THIS PART CONFORMS TO MOLEX PRODUCT SPECIFICATION PS-74031-999.
 - FOR MIXED CONTACT MATING LENGTHS CONSULT MOLEX FOR AVAILABILITY.
 - FOR SPECIFIC PART NUMBER AND MATING INFORMATION REFER TO SHEET 2.
 - PACKAGE PER: PK-74696-003.
 - EITHER MARK PART NUMBER AND DATE CODE APPROXIMATELY WHERE SHOWN OR PLACE LABEL ON THE TUBE.
 - PRODUCT COMPLIES WITH COSMETIC SPECIFICATION PS-45499-002.
 - MAPS (MOLEX ADVANCED PLATING SYSTEM).

THE PRIMARY CARTON WITH A LABEL STATING
 "ELV AND RoHS COMPLAINT" IS LEAD FREE.
 CARTONS WITHOUT THIS LABEL MAY CONTAIN LEAD.

LEAD FREE CONVERSION EC NO: UCP2013-0687 DRWNGES: 2012/08/20 CHKD: MWOLFE 2012/11/26 APPR: SMILLER 2012/12/14	QUALITY SYMBOLS ▽=0 ▽=0 ▽=0	GENERAL TOLERANCES (UNLESS SPECIFIED) <table border="1"> <thead> <tr> <th></th> <th>mm</th> <th>INCH</th> </tr> </thead> <tbody> <tr> <td>4 PLACES ±</td> <td>---</td> <td>±---</td> </tr> <tr> <td>3 PLACES ±</td> <td>---</td> <td>±---</td> </tr> <tr> <td>2 PLACES ±</td> <td>---</td> <td>±---</td> </tr> <tr> <td>1 PLACE ±</td> <td>---</td> <td>±---</td> </tr> <tr> <td>0 PLACE ±</td> <td>---</td> <td>±---</td> </tr> </tbody> </table>		mm	INCH	4 PLACES ±	---	±---	3 PLACES ±	---	±---	2 PLACES ±	---	±---	1 PLACE ±	---	±---	0 PLACE ±	---	±---	DIMENSION STYLE MM ONLY DRAWN BY: MQWANG DATE: 2001/04/17 CHECKED BY: NMARTIN DATE: 2001/04/20 APPROVED BY: CBIXLER DATE: 2001/04/20	SCALE 2.5:1	DESIGN UNITS METRIC	THIRD ANGLE PROJECTION
		mm	INCH																					
	4 PLACES ±	---	±---																					
	3 PLACES ±	---	±---																					
2 PLACES ±	---	±---																						
1 PLACE ±	---	±---																						
0 PLACE ±	---	±---																						
DRAFT WHERE APPLICABLE MUST REMAIN WITHIN DIMENSIONS		ANGULAR ±1/2°	MATERIAL NO. SEE SHEET 2	DOCUMENT NO. SD-74696-002	SHEET NO. 1 OF 2																			
THIS DRAWING CONTAINS INFORMATION THAT IS PROPRIETARY TO MOLEX INCORPORATED AND SHOULD NOT BE USED WITHOUT WRITTEN PERMISSION																								



74696-****

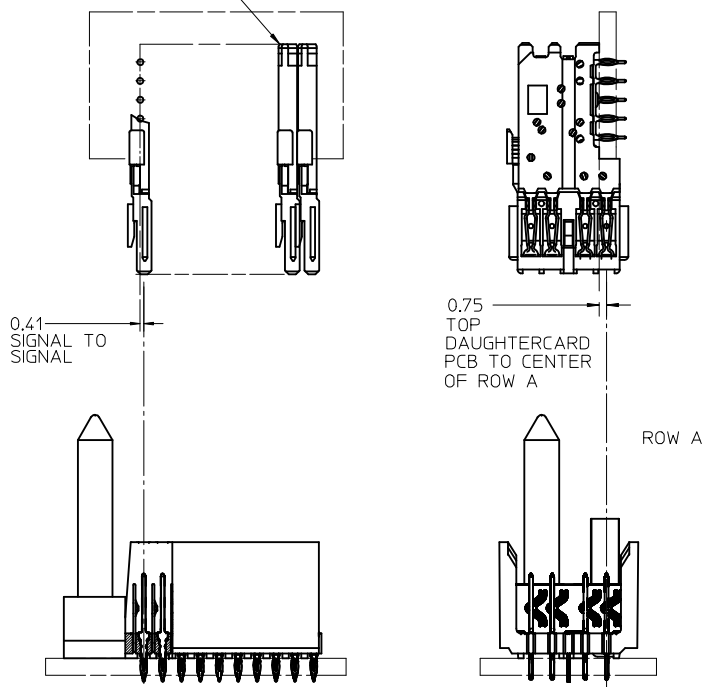
CONTACT LOAD (PIN LENGTH)
 1 & 6 = 4.75
 2 & 7 = 6.25
 3 & 8 = 4.25
 4 & 9 = 5.15

NUMBER OF COLUMNS/PLATING
 10 = 10 COLUMN MATTE TIN (FORMERLY TIN/LEAD)
 05 = 5 COLUMN MATTE TIN (FORMERLY TIN/LEAD)
 25 = 25 COLUMN MATTE TIN (FORMERLY TIN/LEAD)
 60 = 10 COLUMN MATTE TIN (MAPS)
 55 = 5 COLUMN MATTE TIN (MAPS)
 75 = 25 COLUMN MATTE TIN (MAPS)
 90 = 10 COLUMN MATTE TIN
 95 = 5 COLUMN MATTE TIN
 85 = 25 COLUMN MATTE TIN

LEAD FREE CHART

PART NUMBER	COLUMN	NUMBER OF SIGNAL PIN	NUMBER OF SHIELD	A	B	M	GOLD THICKNESS MICROMETER	TIN THICKNESS MICROMETER
74696-60*1	10	40	10	27.00	18.00	4.75	0.25 MAPS	0.76-1.52
74696-90*1							0.76	
74696-90*6							1.27	
74696-75*1	25	100	25	57.00	48.00	4.75	0.25 MAPS	
74696-85*1							0.76	
74696-85*6							1.27	
74696-55*2	5	20	5	17.00	8.00	6.25	0.25 MAPS	
74696-95*7							1.27	
74696-60*2							0.25 MAPS	
74696-90*2	10	40	10	27.00	18.00	6.25	0.76	
74696-90*7							1.27	
74696-75*2							0.25 MAPS	
74696-85*2	25	100	25	57.00	48.00	6.25	0.76	
74696-85*7							1.27	
74696-60*3							0.25 MAPS	
74696-90*3	10	40	10	27.00	18.00	4.25	0.76	
74696-90*8							1.27	
74696-75*3							0.25 MAPS	
74696-85*3	25	100	25	57.00	48.00	4.25	0.76	
74696-85*8							1.27	
74696-60*4							0.25 MAPS	
74696-90*4	10	40	10	27.00	18.00	5.15	0.76	
74696-90*9							1.27	
74696-75*4							0.25 MAPS	
74696-85*4	25	100	25	57.00	48.00	5.15	0.76	
74696-85*9							1.27	

DAUGHTERCARD CONNECTOR SIDE



LEAD FREE (FORMERLY TIN/LEAD) CHART

PART NUMBER	COLUMN	NUMBER OF SIGNAL PIN	NUMBER OF SHIELD	A	B	M	GOLD THICKNESS MICROMETER	TIN THICKNESS MICROMETER
74696-10*1	10	40	10	27.00	18.00	4.75	0.76	0.76-1.52
74696-10*6							1.27	
74696-25*1							0.76	
74696-25*6	25	100	25	57.00	48.00	4.75	1.27	
74696-05*7							1.27	
74696-10*2							0.76	
74696-10*7	10	40	10	27.00	18.00	6.25	1.27	
74696-25*2							0.76	
74696-25*7							1.27	
74696-10*3	10	40	10	27.00	18.00	4.25	0.76	
74696-10*8							1.27	
74696-25*3							0.76	
74696-25*8	25	100	25	57.00	48.00	4.25	1.27	
74696-10*4							0.76	
74696-10*9							1.27	
74696-25*4	25	100	25	57.00	48.00	5.15	0.76	
74696-25*9							1.27	

LEAD FREE CONVERSION EC NO: UCP2013-0687 DRAWINGS: 2012/08/20 CHKD:MOLFE 2012/11/26 APPR:SMILLER 2012/12/14 REV: DESCRIPTION	QUALITY SYMBOLS	GENERAL TOLERANCES (UNLESS SPECIFIED)	DIMENSION STYLE MM ONLY	SCALE 2.5:1	DESIGN UNITS METRIC	THIRD ANGLE PROJECTION
	▽=0	mm INCH	DRAWN BY DATE MOWANG 2001/04/17	HSD SALES ASSEMBLY 5 ROW SIGNAL END BACKPLANE SD-74696-002		
	▽=0	4 PLACES ± --- ± ---	CHECKED BY DATE			
	▽=0	3 PLACES ± --- ± ---	APPROVED BY DATE CBIXLER 2001/04/20			
▽=0	2 PLACES ± --- ± ---	MATERIAL NO.				
		1 PLACE ± --- ± ---	DATE	DOCUMENT NO.	SHEET NO.	
		0 PLACE ± ±	2001/04/20	SD-74696-002	2 OF 2	
		ANGULAR ±1/2°		THIS DRAWING CONTAINS INFORMATION THAT IS PROPRIETARY TO MOLEX INCORPORATED AND SHOULD NOT BE USED WITHOUT WRITTEN PERMISSION		
		DRAFT WHERE APPLICABLE MUST REMAIN WITHIN DIMENSIONS	SIZE C			