

SECTION A-A

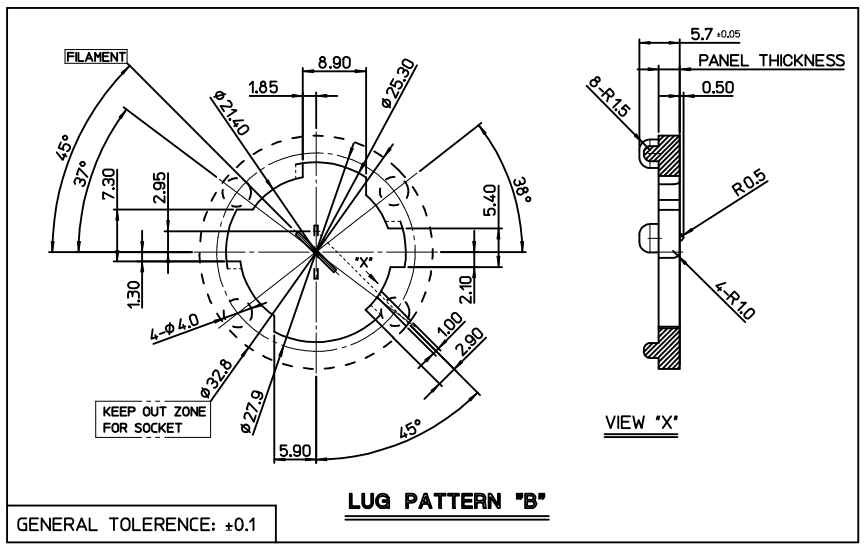
<NOTE>

1. APPLICABLE LAMP : W21W(T20)
2. PANEL THICKNESS : 3.0mm ±0.1
3. MATES WITH

| NO. | DESCRIPTION | MATERIAL | PART NO. | WIRE RANGE |
|-----|-----------------|----------|------------|-------------------------|
| ③ | SINGLE TERMINAL | BRASS | 49869-9102 | 0.5~0.85mm ² |

<PARTS LIST>

| NO. | DESCRIPTION | MATERIAL | USAGE | REMARK |
|-----|-----------------|-----------------|-------|----------|
| ① | T20 BULB SOCKET | NYLON46, GF 30% | 1 | BLACK |
| | | | 1 | GRAY |
| ② | LAMP HOLDER | SUS | 2 | UNPLATED |



GENERAL TOLERANCE: ±0.1

LUG PATTERN "B"

| MATERIAL NO. | ORDER NO. | COLOR |
|--------------|-------------|-------|
| 1041340211 | 104134-0211 | BLACK |
| 1041340215 | 104134-0215 | GRAY |

| | | | | | | | | |
|---|-----------|-------------|-------------------------------|---|---|-------------------------------|------------------------|------------------------|
| CHANGED DIMS & ADDED COLOR EC NO: KTR2012-0067 DRWN:HM00N 2012/05/03 CHK:KH00N 2012/05/03 APPR: | REV B1 | DESCRIPTION | QUALITY SYMBOLS ▽=0 ▽=0 | GENERAL TOLERANCES (UNLESS SPECIFIED) mm INCH 4 PLACES ± --- ± --- 3 PLACES ± --- ± --- 2 PLACES ± 0.2 ± --- 1 PLACE ± 0.30 ± --- ANGULAR ± 1 ° | DIMENSION STYLE MM ONLY | SCALE 2:1 | DESIGN UNITS METRIC | THIRD ANGLE PROJECTION |
| | | | DRAWN BY SMK1M | DATE 2009/03/17 | TITLE W21W UNSEALED WEDGE BULB SOCKET 2P | | | |
| | | | CHECKED BY BCY00N | DATE 2009/03/17 | MOLEX INCORPORATED | | | |
| | | | APPROVED BY DC_LISLE | DATE 2012/06/29 | MATERIAL NO. SEE TABLE 1 | DOCUMENT NO. SD-104134-001 | SHEET NO. 1 OF 1 | |