

see note 8

NOTES:

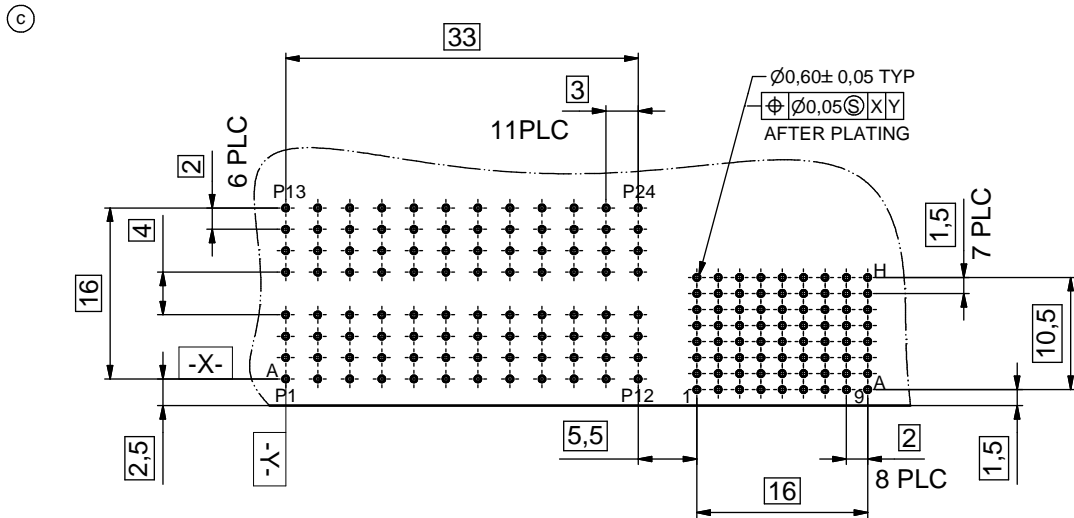
1. Materials:
 - A. Housing: Thermoplastic Polyester, glass filled
Rated UL 94V-0, Color: Gray
 - B. Contact: Copper Alloy, Gold plating
2. Finish:
 - Mating area -- 0,76µm min. Gold over 1,27µm min. Nickel
 - Compliant pin area -- 0,5µm min matte Tin over 1,27µm min. Nickel
3. Ratings:
 - A. Voltage (Test voltage): 80V r.m.s.
 - B. Current rating:
 - Signal and Signal GND Conductor 0,625A/pin
 - Power branch GND Conductor 11,625A/pin with derating of IEC 60512
 - C. Maximum line resistances:
 - Signal and Signal GND Conductor 25 milli Ohms
 - Power branch GND Conductor 5 milli Ohms
4. Engaging force: 145N max.
Separating force: 110N max.
5. Durability: 200 mating cycles
6. Used Press Fit tool: 36-000080
7. Plated through-hole cross section and PC Board Dimensions see sheet 2
8. Connector is part marked: 47-100011 CONEC ABC

Directive 2002/95/EC RoHS compliant

THIS DRAWING MAY NOT BE COPIED OR REPRODUCED IN ANY WAY, AND MAY NOT BE PASSED ON TO A THIRD PARTY WITHOUT WRITTEN PERMISSION. OWNERSHIP AND COPYRIGHT OF CONEC GmbH DO NOT ALTER CAD DRAWING BY HAND				tolerance		dim. in mm	scale: 2:1	
				$X \pm 0,30$ $X^\circ \pm 2^\circ$ $XX \pm 0,15$ $XX^\circ \pm 1^\circ$			material: see notes	
				drawn	11.04.08	Lehmenkühler	title: MicroTCA POWER CONNECTOR MODULE VERSION	
				appd.	11.04.08	Koch		
norm			dwg no: Inventor 10		DIN-A3			
1 x b	Ä 3374	18.06.09	HS	47K1A00003		sh: 1		
rev.	description	date	name	part no: 47-100011				

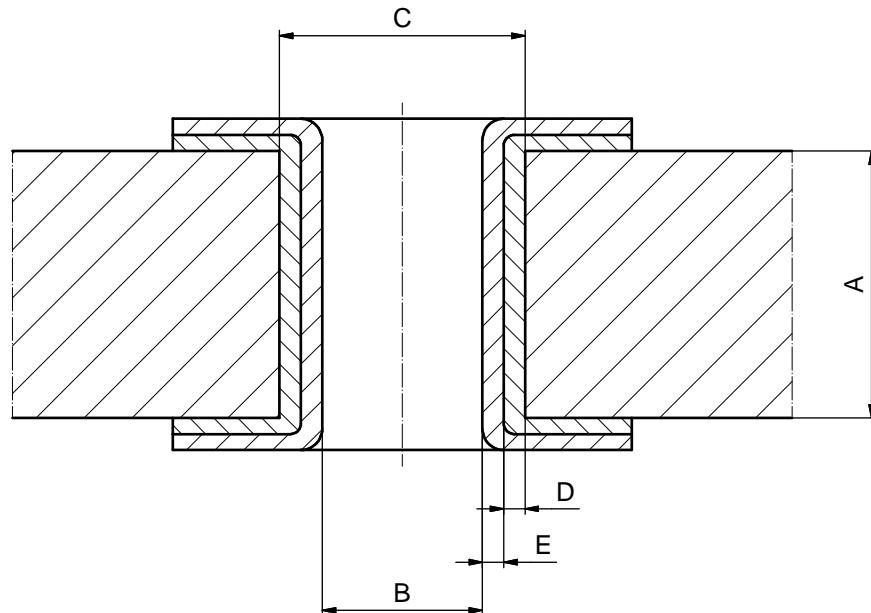


RECOMMENDED PC BOARD DIMENSIONS



PLATED THROUGH-HOLE CROSS SECTION

		Dimensions
A	PCB Thickness	Minimum 1,4mm
B	Plated Through Hole Diameter	$0,60 \pm 0,05\text{mm}$
C	Drill Hole Diameter	$0,70 \pm 0,02\text{mm}$
D	Cu Thickness	Minimum 25 μm
E	Plating Thickness	Minimum 0,5 μm Immersion Sn



THIS DRAWING MAY NOT BE COPIED OR REPRODUCED IN ANY WAY, AND MAY NOT BE PASSED ON TO A THIRD PARTY WITHOUT WRITTEN PERMISSION. OWNERSHIP AND COPYRIGHT OF CONEC GmbH DO NOT ALTER CAD DRAWING BY HAND					tolerance	dim. in mm	scale:	see sheet 1	
					date		name		material:
					drawn	11.04.08	Lehmenkühler	title: PC BOARD DIMENSIONS PLATED THROUGH-HOLE CROSS SECTION MicroTCA POWER CONN. MODULE VERSION	
					appd.	11.04.08	Koch		
					norm				
1 x c	Ä 3850	21.12.10	Lehm.	d-old			dwg no:	Inventor 10	DIN-A3
1 x b	Ä 3374	18.06.09	HS			47K1A00003		sh: 2	
a	Origin								
rev.	description	date	name			part no:		see sheet 1	