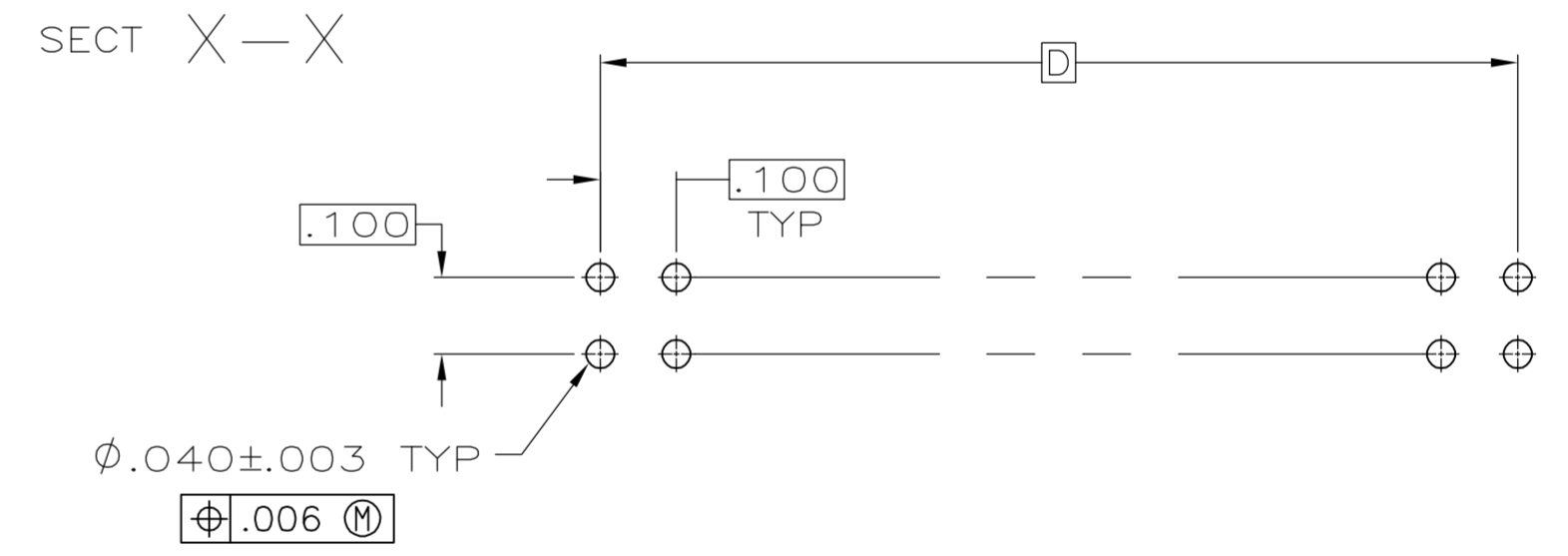
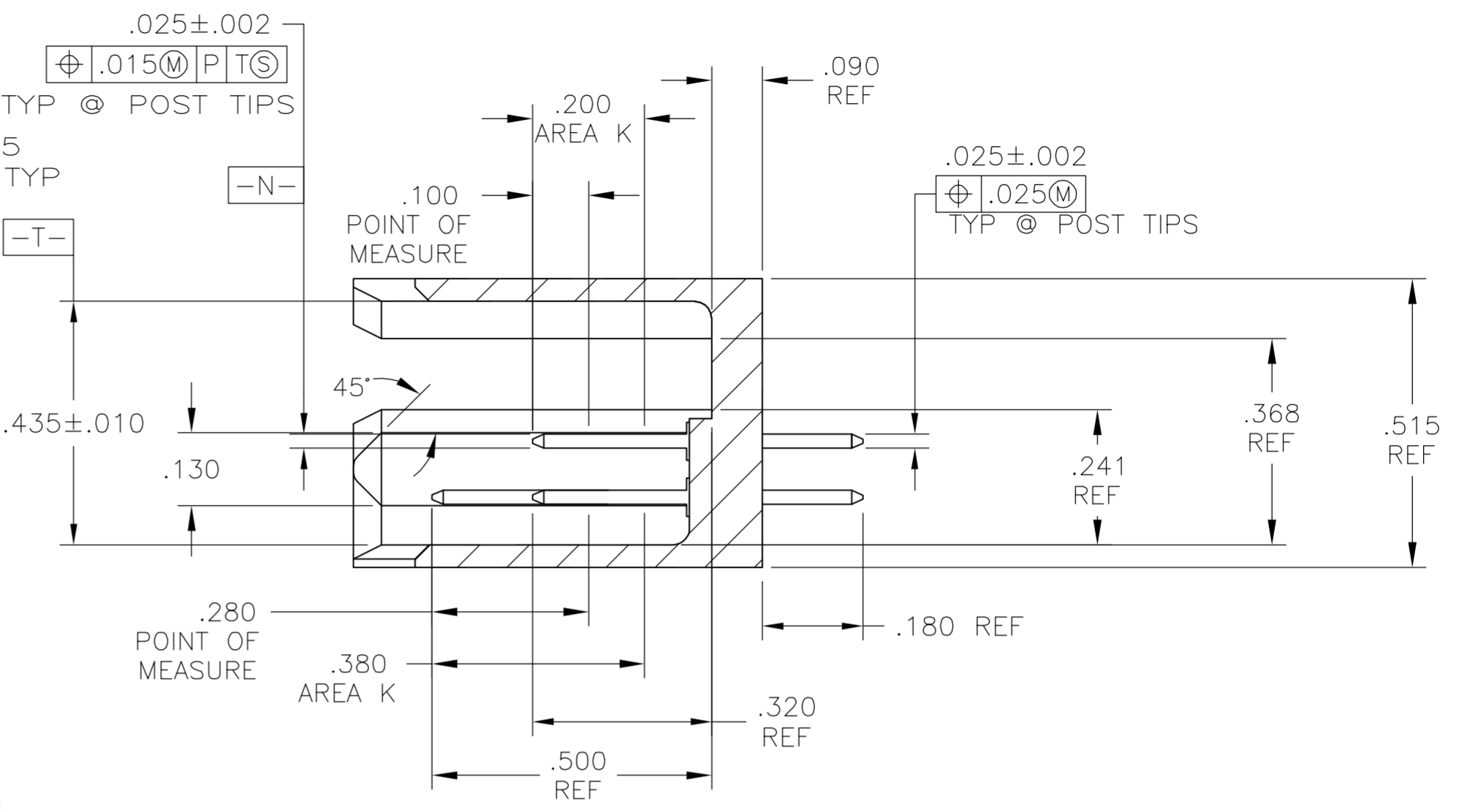
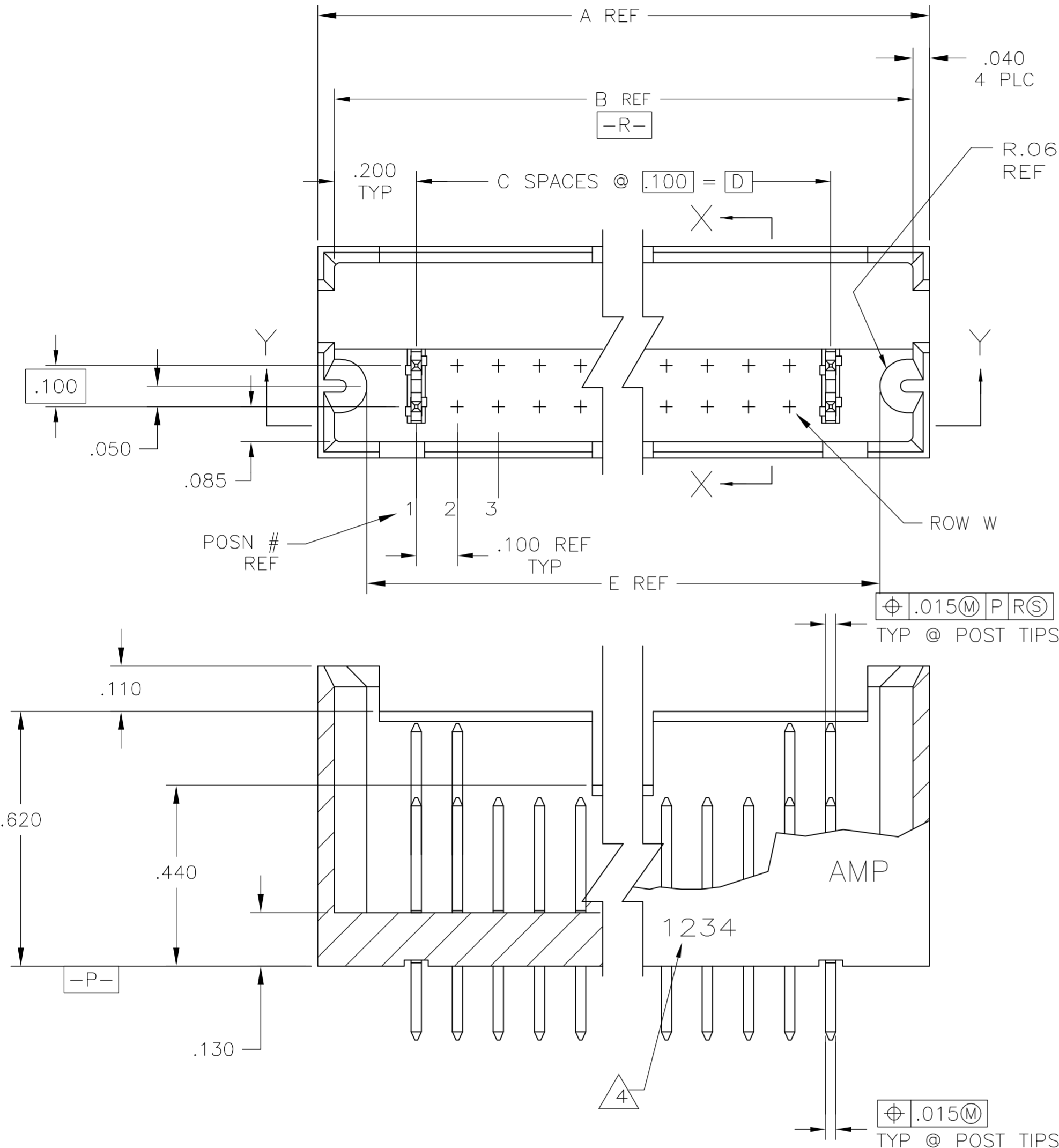


THIS DRAWING IS UNPUBLISHED. RELEASED FOR PUBLICATION
 © COPYRIGHT BY TYCO ELECTRONICS CORPORATION. ALL RIGHTS RESERVED.

LOC		DIST		REVISIONS				
AD	00	P	LTR	DESCRIPTION	DATE	DWN	APVD	
		K1		ECO-05-16253	01FEB06	MB	JO	



- 1 MATL: GLASS FILLED NYLON
 COLOR: BLACK
- 2 POST MATL: PHOSPHOR BRONZE
- 3 DUPLEX PLATED .000030 GOLD ON CONTACT AREA K,
 .000010 - .000200 BRIGHT TIN LEAD ON SOLDER
 LEADS, ALL OVER .000050 NICKEL
- 4 RECESSED DATE CODE & CSA LOGO
- 5 DUPLEX PLATED .000030 GOLD ON CONTACT AREA K,
 .000010 - .000200 MATTE TIN ON SOLDER LEADS, ALL
 OVER .000050 NICKEL
- 6 ROHS 2002/95/EC COMPLIANT.

SECT Y-Y

	5	1,30	3,140	2,900	29	3,300	3,380	60	5-535552-5
OBSOLETE	3	1,35	3,640	3,400	34	3,800	3,880	70	535552-6
	3	1,30	3,140	2,900	29	3,300	3,380	60	535552-5
OBSOLETE	3	2,4,30	3,140	2,900	29	3,300	3,380	60	535552-4
OBSOLETE	3	1,2,6,7	.840	.600	6	1,000	1,080	14	535552-3
OBSOLETE	3	1-4, 37-40	4,140	3,900	39	4,300	4,380	80	535552-2
OBSOLETE	3	2	2,140	1,900	19	2,300	2,380	40	535552-1
FINISH		SELECT LOADING ROW W POST	E	D	C	B	A	NO OF POSN	PART NUMBER

THIS DRAWING IS A CONTROLLED DOCUMENT.

DWN B. HAYMAKER 11JAN01
 CHK J. GESFORD 29OCT98
 APVD J. GESFORD 29OCT98
 PRODUCT SPEC
 APPLICATION SPEC
 WEIGHT -

tyco Tyco Electronics Corporation
 Harrisburg, PA 17105-3608

NAME ASSM. HDR. SHROUD, MOD II, .100x.100CL,
 .025 SQ STANDARD POST

SIZE A2 CAGE CODE 00779 DRAWING NO C=535552 RESTRICTED TO -

CUSTOMER DRAWING SCALE 4:1 SHEET 1 of 1 REV K1