

- NOTES:
- MATERIALS:
 - RAW CABLE- 2 TWIN-AX PAIRS, PVC JACKET
 - PCB - HALOGEN FREE, UL94 V-0
 - BACKSHELLS - ZINC DIECAST WITH BRIGHT NICKEL PLATING
 - RIVETS - STAINLESS STEEL
 - IMPEDANCE - 100 OHMS DIFFERENTIAL
 - RoHS COMPLIANT, NO EXEMPTIONS

THIS DRAWING CONTAINS INFORMATION THAT IS PROPRIETARY TO MOLEX ELECTRONIC TECHNOLOGIES, LLC AND SHOULD NOT BE USED WITHOUT WRITTEN PERMISSION											
QUALITY SYMBOLS	GENERAL TOLERANCES (UNLESS SPECIFIED)				DIMENSION UNITS	SCALE					
▽ F = 0	ANGULAR TOL ± 1.0 °				MM	1.5:1					
▽ E = 0	ADDED BEND RADIUS EC NO: 112432 DRWN: BCHEN06 CHKD: SRATKOVIC REV APPR: ADTUCKER	4 PLACES ±		DRWN BY	DATE						
▽ D = 0		3 PLACES ±		BCHEN06	2017/01/10						
▽ C = 0		2 PLACES ± 0.13		CHKD BY	DATE	ZQSFP+ TO 4ZSFP+ 25G CBL ASSY					
▽ B = 0		1 PLACE ± 0.25		SRATKOVIC	2017/01/13						
▽ A = 0		0 PLACES ±		APPR BY	DATE	PRODUCT CUSTOMER DRAWING					
■ = 0	DRAFT WHERE APPLICABLE MUST REMAIN WITHIN DIMENSIONS		ADTUCKER	2017/01/18							
▽ = 0	DRAWING SIZE		THIRD ANGLE PROJECTION		SERIES		MATERIAL NUMBER		CUSTOMER		
	D				100345		SEE P/N TABLE		GENERAL MARKET		
					DOCUMENT NUMBER		DOC TYPE		DOC PART		SHEET NUMBER
					1003450001		PSD		000		1 OF 3

RELEASE STATUS	P1	RELEASE DATE	12.12.2016	23:39:17
----------------	----	--------------	------------	----------

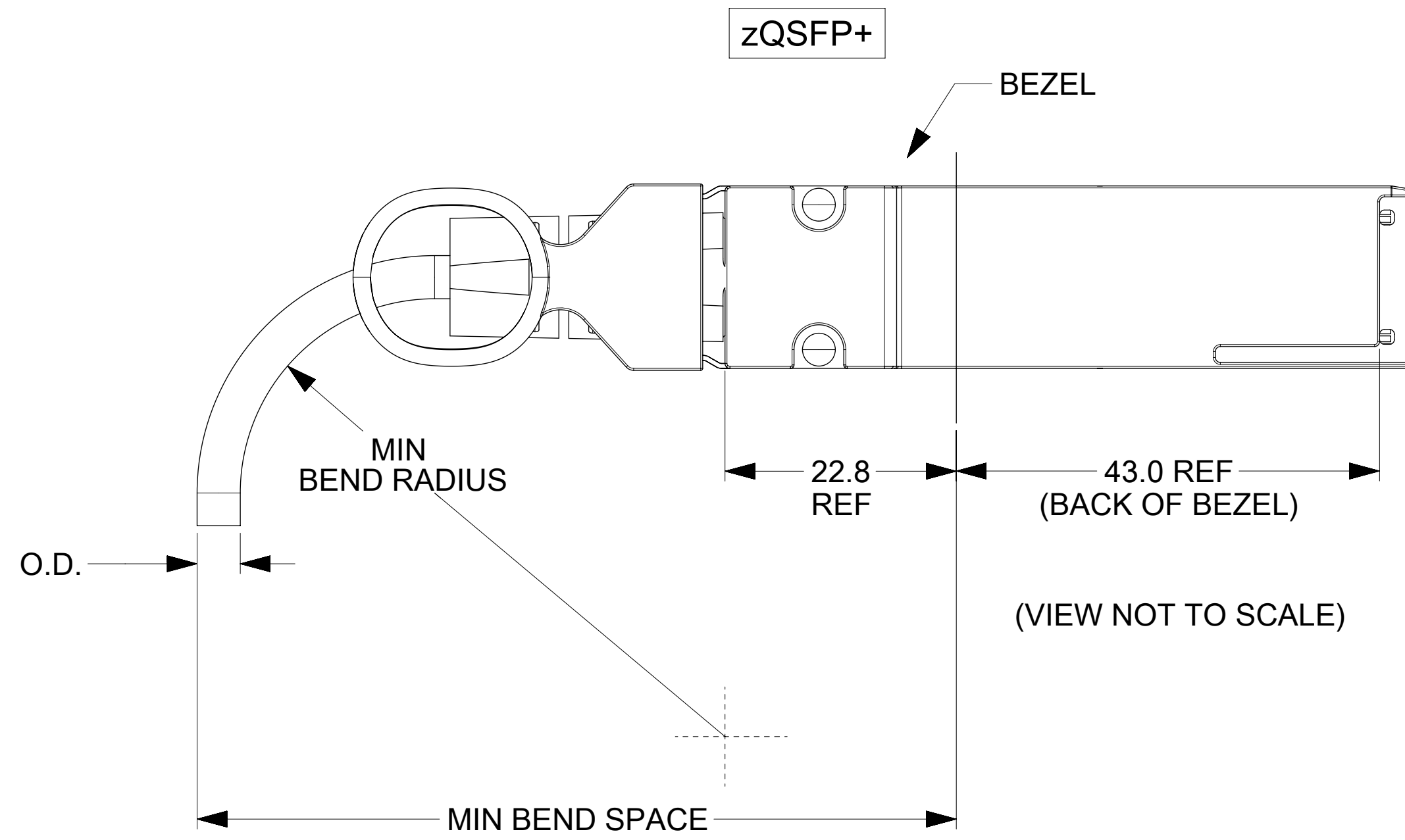
WIRING DIAGRAM					
zQSFP+		zSFP+		PLUG	
PAD	SIGNAL	SIGNAL	PAD		
38	GND	----	GND	A	
37	TX1-	--->	RD-		12
36	TX1+	--->	RD+		13
19	GND	----	GND		
17	RX1+	<---	TD+	18	
18	RX1-	<---	TD-	19	
01	GND	----	GND	B	
02	TX2-	--->	RD-		12
03	TX2+	--->	RD+		13
20	GND	----	GND		
22	RX2+	<---	TD+	18	
21	RX2-	<---	TD-	19	
35	GND	----	GND	C	
34	TX3-	--->	RD-		12
33	TX3+	--->	RD+		13
16	GND	----	GND		
14	RX3+	<---	TD+	18	
15	RX3-	<---	TD-	19	
04	GND	----	GND	D	
05	TX4-	--->	RD-		12
06	TX4+	--->	RD+		13
23	GND	----	GND		
25	RX4+	<---	TD+	18	
24	RX4-	<---	TD-	19	

LOW SPEED SIGNALS zQSFP+	
PAD	SIGNAL
08	ModSelL
09	ResetL
10	VccRx
11	SCL
12	SDA
27	ModPrsL
28	IntL
29	VccTx
30	Vcc1
31	LPMODE

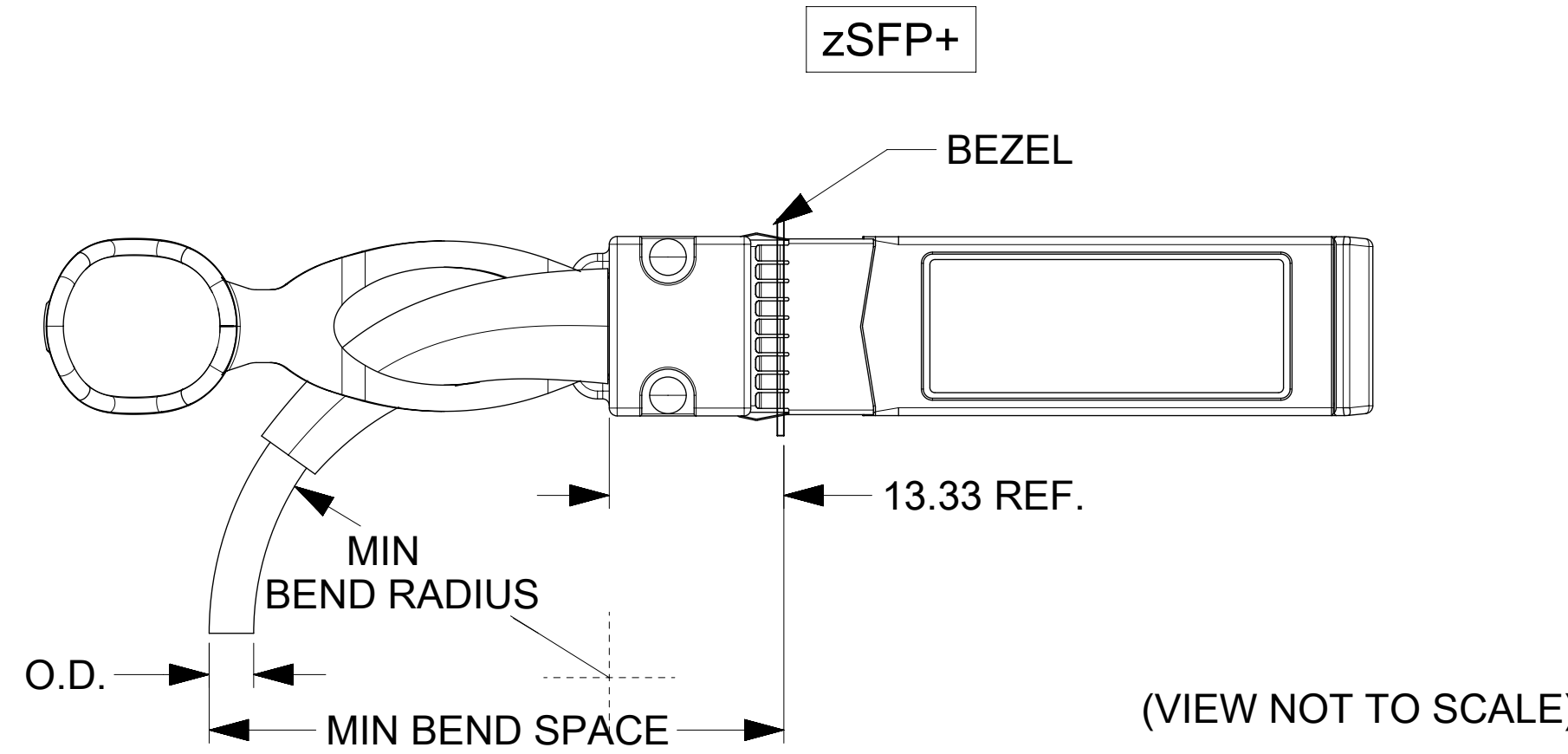
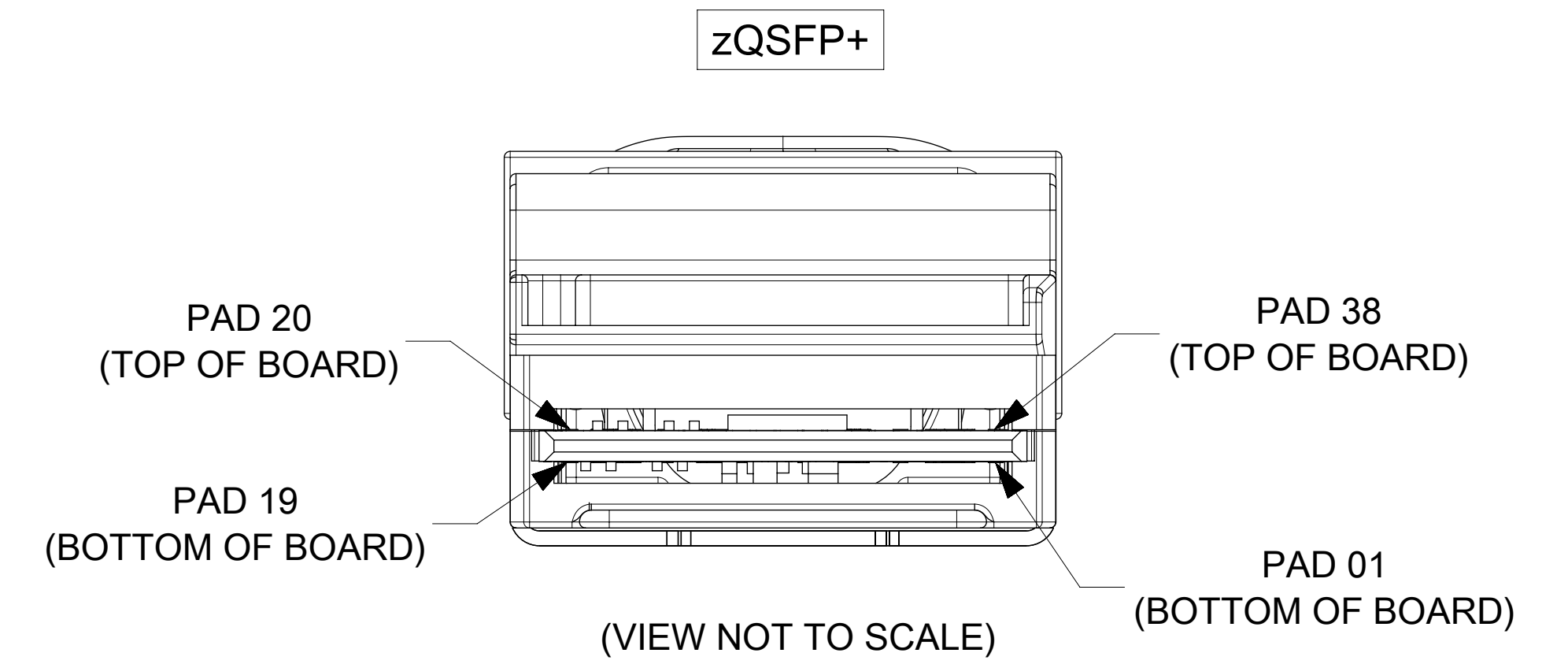
LOW SPEED SIGNALS zSFP+	
PAD	SIGNAL
02	Tx_Fault
03	Tx_Disable
04	SDA
05	SCL
06	Mod_ABS
07	RS0
08	Rx_LOS
09	RS1
15	VccR
16	VccT

LEGEND:
 ---- = DRAIN LINES
 ---> = TRANSMIT TO RECEIVE ON HIGH SPEED CIRCUITS

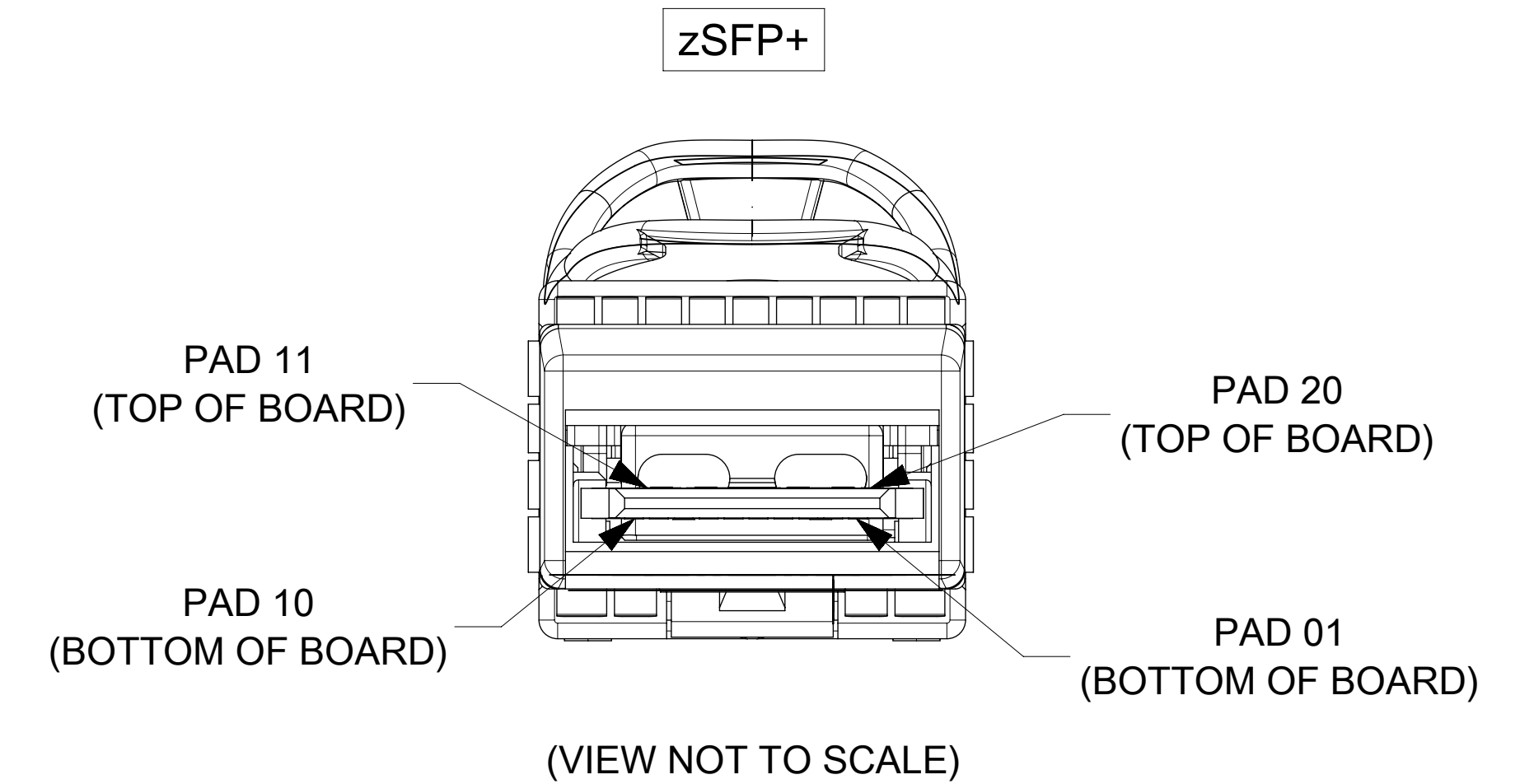
CABLE BEND RADIUS



CABLE AWG	OD OF CBL BUNDLE	MIN BEND RADIUS (mm)	MIN BEND SPACE (mm)
30	9.70 REF	TBD (UNDER REVIEW)	TBD (UNDER REVIEW)
26	12.80 REF	TBD (UNDER REVIEW)	TBD (UNDER REVIEW)

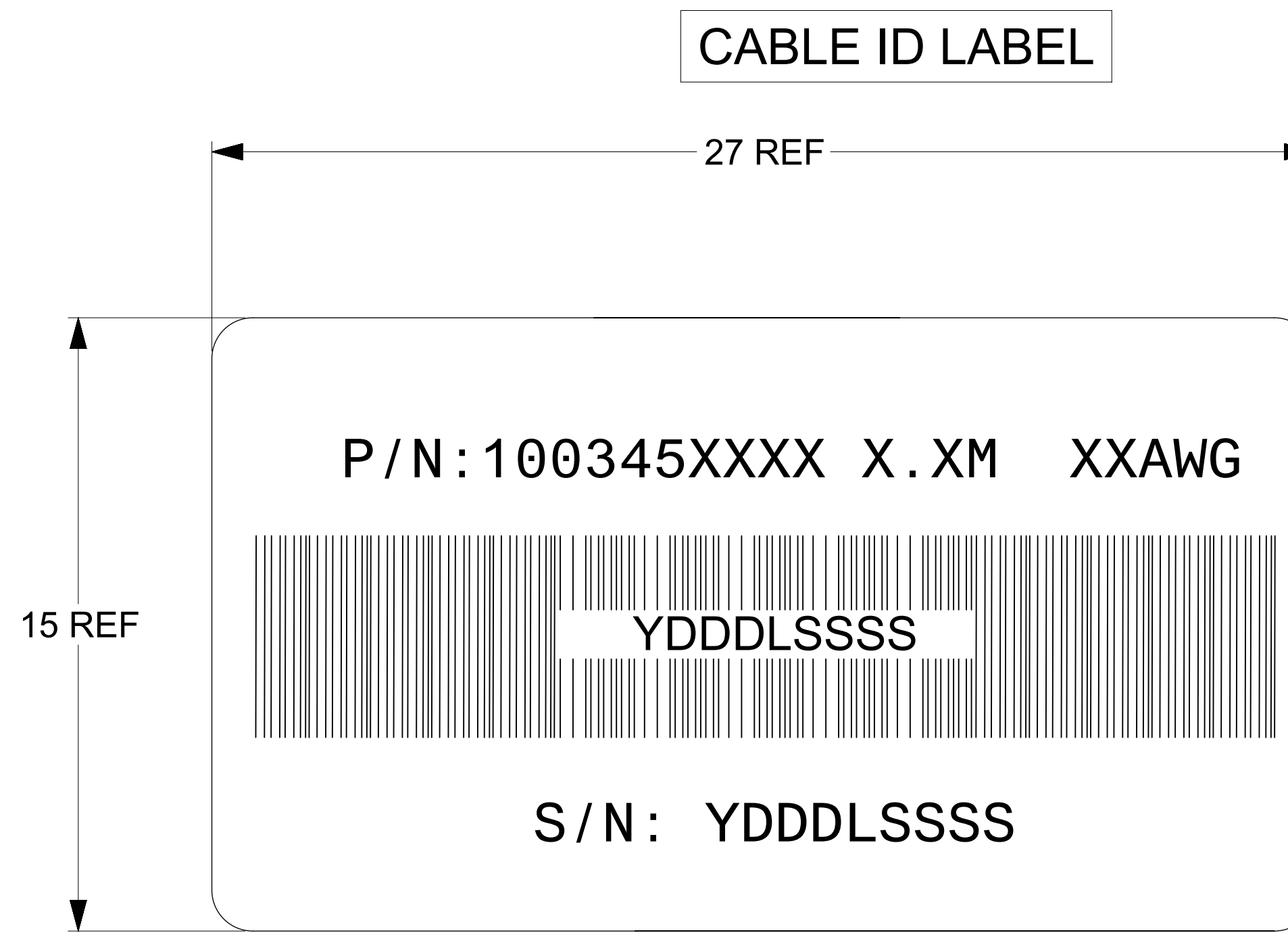


CABLE AWG	OD	MIN BEND RADIUS (mm)	MIN BEND SPACE (mm)
30	4.34	22	36
26	5.80	29	43



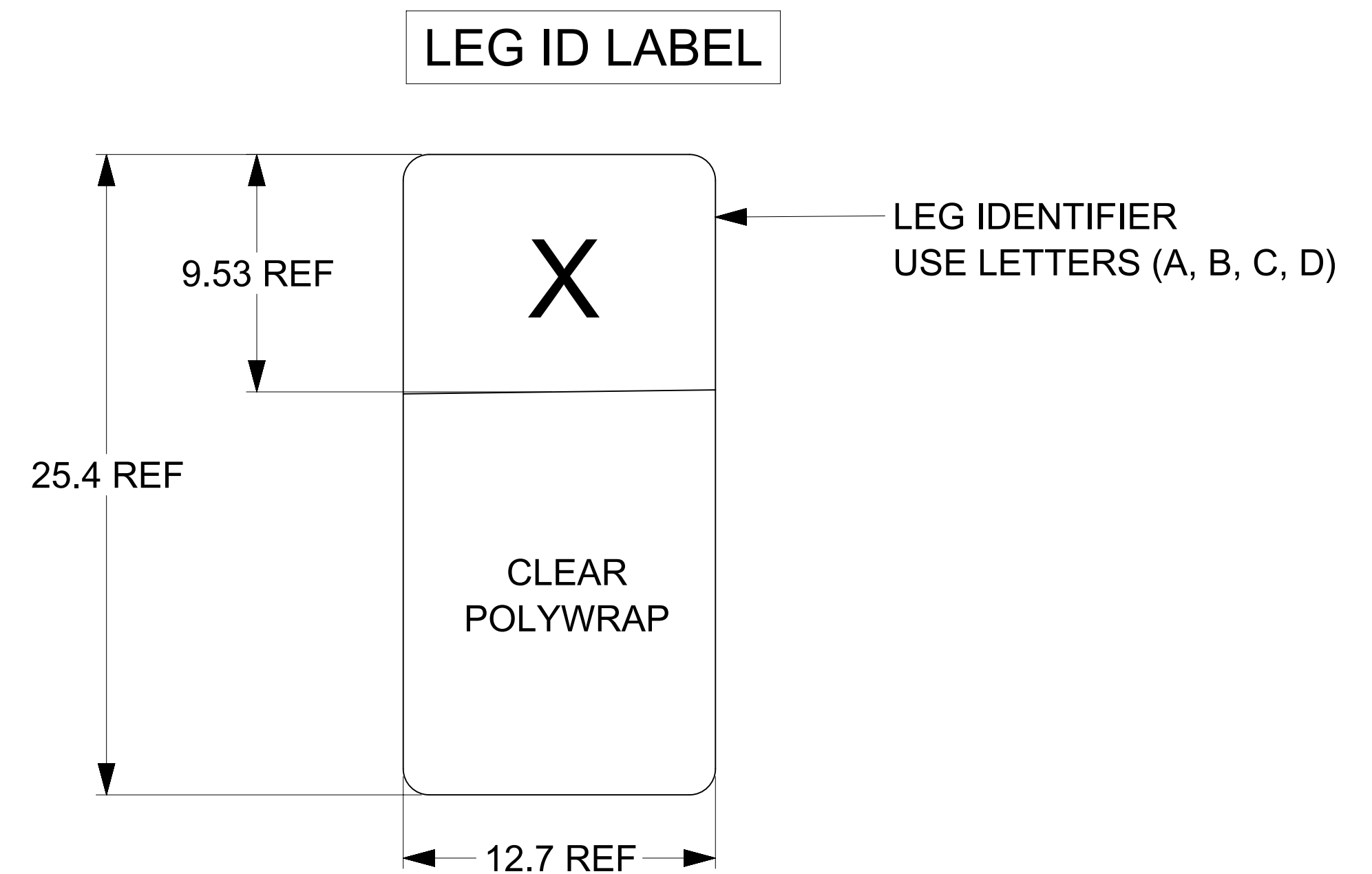
QUALITY SYMBOLS F = 0 E = 0 D = 0 C = 0 B = 0 A = 0 Z = 0 Y = 0 X = 0 W = 0 V = 0 U = 0 T = 0 S = 0 R = 0 Q = 0 P = 0 O = 0 N = 0 M = 0 L = 0 K = 0 J = 0 I = 0 H = 0 G = 0 F = 0 E = 0 D = 0 C = 0 B = 0 A = 0	THIS DRAWING CONTAINS INFORMATION THAT IS PROPRIETARY TO MOLEX ELECTRONIC TECHNOLOGIES, LLC AND SHOULD NOT BE USED WITHOUT WRITTEN PERMISSION		DIMENSION UNITS MM	SCALE 1:1				
	EC NO: 112432 DRWN: BCHEN06 CHKD: SRATKOVIC REV APPR: ADTUCKER	2017/01/10 2017/01/13 2017/01/18	GENERAL TOLERANCES (UNLESS SPECIFIED) ANGULAR TOL ± 1.0 ° 4 PLACES ± 3 PLACES ± 2 PLACES ± 0.13 1 PLACE ± 0.25 0 PLACES ± DRAFT WHERE APPLICABLE MUST REMAIN WITHIN DIMENSIONS	DRWN BY BCHEN06		DATE 2017/01/10	ZQSFP+ TO 4ZSFP+ 25G CBL ASSY	
			CHKD BY SRATKOVIC	DATE 2017/01/13		PRODUCT CUSTOMER DRAWING		
			APPR BY ADTUCKER	DATE 2017/01/18				
		DRAWING SIZE D	THIRD ANGLE PROJECTION		SERIES 100345			
		MATERIAL NUMBER SEE P/N TABLE		CUSTOMER GENERAL MARKET				
		DOCUMENT NUMBER 1003450001	DOC TYPE PSD	DOC PART 000	SHEET NUMBER 2 OF 3			

MOLEX P/N	CABLE LENGTH (M)	CABLE L'TH TOL (mm)	AWG	CBL MFG
1003451051	0.5	±30	30	TEMPFLEX
1003451101	1.0	±50	30	TEMPFLEX
1003451151	1.5	±50	30	TEMPFLEX
1003451201	2.0	±50	30	TEMPFLEX
1003451251	2.5	±50	30	TEMPFLEX
1003451301	3.0	±50	30	TEMPFLEX
1003453301	3.0	±50	26	TEMPFLEX
1003453351	3.5	±50	26	TEMPFLEX
1003453401	4.0	±50	26	TEMPFLEX
1003453451	4.5	±50	26	TEMPFLEX
1003453501	5.0	±80	26	TEMPFLEX



P/N (SEE P/N TABLE)
X.XM = LENGTH AS SHOWN IN TABLE
XXAWG = AWG SIZE

YDDLSSSS
Y = LAST DIGIT OF THE YEAR
DDD = DAY OF THE YEAR
L = LOCATION
1 = US
2 = MEXICO
3 = CHINA
4 = PHILIPPINES
SSSS = (0001-9999)



QUALITY SYMBOLS 	THIS DRAWING CONTAINS INFORMATION THAT IS PROPRIETARY TO MOLEX ELECTRONIC TECHNOLOGIES, LLC AND SHOULD NOT BE USED WITHOUT WRITTEN PERMISSION										
	ADDED BEND RADIUS EC NO: 112432 DRWN: BCHEN06 CHKD: SRATKOVIC REV APPR: ADTUCKER	GENERAL TOLERANCES (UNLESS SPECIFIED) ANGULAR TOL ± 1.0 ° 4 PLACES ± 3 PLACES ± 2 PLACES ± 0.13 1 PLACE ± 0.25 0 PLACES ± DRAFT WHERE APPLICABLE MUST REMAIN WITHIN DIMENSIONS		DIMENSION UNITS MM	SCALE 1:1	 ZQSFP+ TO 4ZSFP+ 25G CBL ASSY					
		DRWN BY BCHEN06		DATE 2017/01/10							
		CHKD BY SRATKOVIC		DATE 2017/01/13	APPR BY ADTUCKER		DATE 2017/01/18	PRODUCT CUSTOMER DRAWING			
DRAFT WHERE APPLICABLE MUST REMAIN WITHIN DIMENSIONS		DRAWING SIZE D	THIRD ANGLE PROJECTION 	SERIES 100345	MATERIAL NUMBER SEE P/N TABLE	CUSTOMER GENERAL MARKET	DOCUMENT NUMBER 1003450001				
				DOC TYPE PSD	DOC PART 000	SHEET NUMBER 3 OF 3					