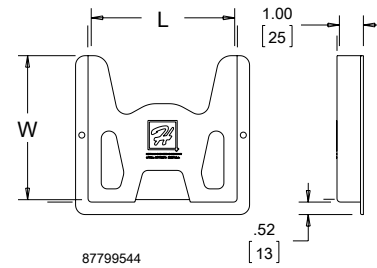


THERMOPLASTIC DATA POCKET

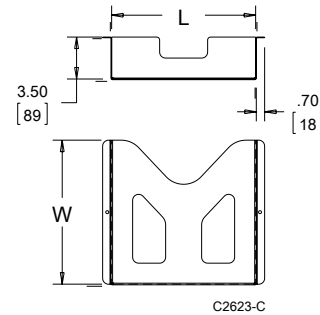


Provides a convenient place to store wiring diagrams, operation manuals and other documentation inside the enclosure. Adhesive-backed pockets mount inside the solid enclosure cover. Mounting hardware included. Thermoplastic pockets are dark gray and have cut-away areas for easy inspection of contents.

BULLETIN: A80DP

| Catalog Number | Description | Size L x W in./mm |
|----------------|--------------|----------------------------|
| ADP1 | Small pocket | 6.00 x 6.00 152 x 152 |
| ADP2 | Large pocket | 12.00 x 12.00 305 x 305 |

METAL DATA POCKET



Three-inch (76-mm) deep Metal Data Pocket provides a convenient place to store wiring diagrams, operation manuals and other documentation inside the enclosure. Large enough to store 3-ring binders. Mounting hardware is included. Painted white and has cut-away areas for easy inspection of contents.

BULLETIN: A80DP

| Catalog Number | Fits A x B in./mm | Size L x W in./mm |
|----------------|--|----------------------------|
| ADP3 | Greater than or equal to 30.00 x 24.00 Greater than or equal to 762 x 610 | 12.00 x 12.00 305 x 305 |

EXTERNAL DATA POCKETS, TYPE 4/4X/12



Mild steel coated with polyester powder paint

Type 304 stainless steel

INDUSTRY STANDARDS

Mild Steel Models:

UL 508A Listed; Type 4, 12; File No. E61997
 cUL Listed per C22.2 No. 94; Type 4, 12; File No. E61997

NEMA/EEMAC Type 4, 12
 IEC 60529, IP66

Stainless Steel Models:

UL 508A Listed; Type 4, 4X, 12; File No. E61997
 cUL Listed per C22.2 No. 94; Type 4, 4X, 12; File No. E61997

NEMA/EEMAC Type 4, 4X, 12
 IEC 60529, IP66

APPLICATION

Mounted on the exterior of an enclosure, Data Pockets allow access to system documentation without having to open the enclosure door.

FEATURES

- Available in mild steel or stainless steel to match the enclosure finish
- Foam-in-place gasket to protect documentation from harsh environments
- Hinged front for easy access to contents
- Three sizes accommodate a wide variety of documents
- Sloped top sheds liquids and prevents accumulation of extraneous material
- Optional wing knob and keylock inserts available for additional security

SPECIFICATIONS

- 16 gauge steel or 16 gauge Type 304 stainless steel
- Front of pocket hinges away from frame

FINISH

Mild steel models are either ANSI 61 medium-gray or RAL 7035 light-gray polyester powder finish inside and out. Stainless steel models have brushed finish.

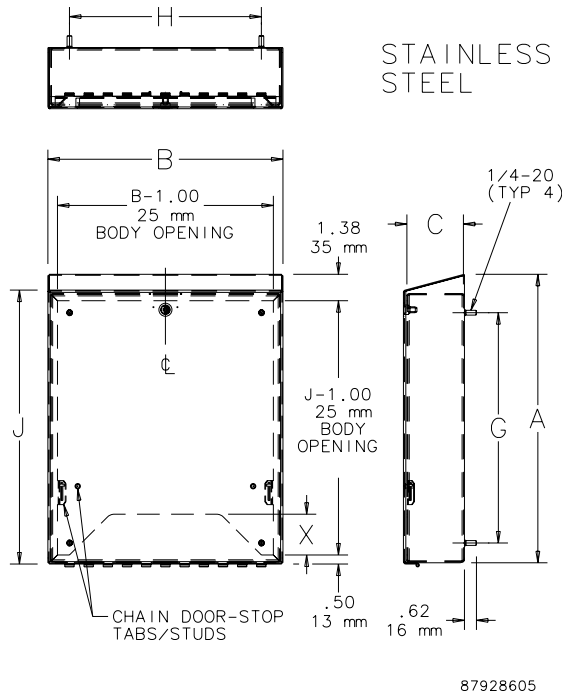
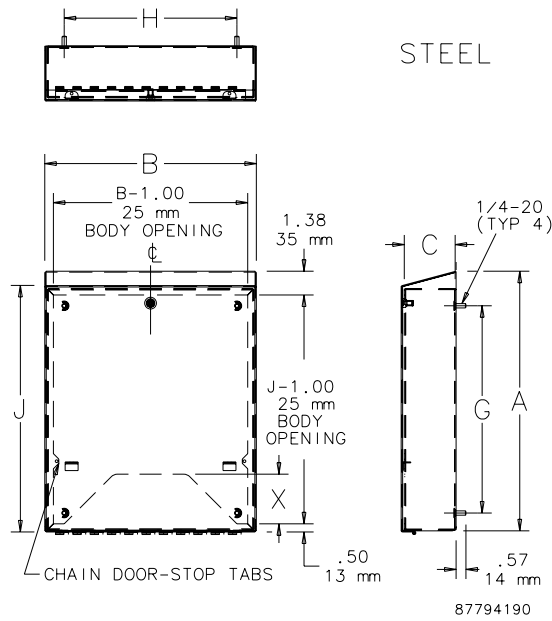
ACCESSORIES

Key Inserts
 Wing Knob Latch

BULLETIN: A80DP

Standard Product

| Catalog Number | AxBxC in. | AxBxC mm | Finish | G (in.) | G (mm) | H (in.) | H (mm) | J (in.) | J (mm) |
|----------------|----------------------|----------------|-------------------------|---------|--------|---------|--------|---------|--------|
| ADPX4A | 14.00 x 12.00 x 3.00 | 356 x 305 x 76 | ANSI 61 paint | 12.00 | 305 | 10.00 | 254 | 14.25 | 362 |
| ADPX4ALG | 14.00 x 12.00 x 3.00 | 356 x 305 x 76 | RAL 7035 paint | 12.00 | 305 | 10.00 | 254 | 14.25 | 362 |
| ADPX4ASS | 14.00 x 12.00 x 3.00 | 356 x 305 x 76 | Brushed stainless steel | 12.00 | 305 | 10.00 | 254 | 14.25 | 362 |
| ADPX4B | 6.00 x 6.00 x 3.00 | 152 x 152 x 76 | ANSI 61 paint | 4.00 | 102 | 4.00 | 102 | 6.25 | 159 |
| ADPX4BLG | 6.00 x 6.00 x 3.00 | 152 x 152 x 76 | RAL 7035 paint | 4.00 | 102 | 4.00 | 102 | 6.25 | 159 |
| ADPX4BSS | 6.00 x 6.00 x 3.00 | 152 x 152 x 76 | Brushed stainless steel | 4.00 | 102 | 4.00 | 102 | 6.25 | 159 |
| ADPX4C | 12.00 x 18.00 x 3.25 | 305 x 457 x 83 | ANSI 61 paint | 10.00 | 254 | 16.00 | 406 | 12.25 | 311 |
| ADPX4CLG | 12.00 x 18.00 x 3.25 | 305 x 457 x 83 | RAL 7035 paint | 10.00 | 254 | 16.00 | 406 | 12.25 | 311 |
| ADPX4CSS | 12.00 x 18.00 x 3.25 | 305 x 457 x 83 | Brushed stainless steel | 10.00 | 254 | 16.00 | 406 | 12.25 | 311 |



Notes