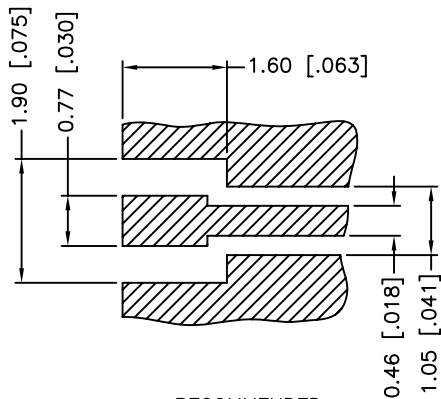
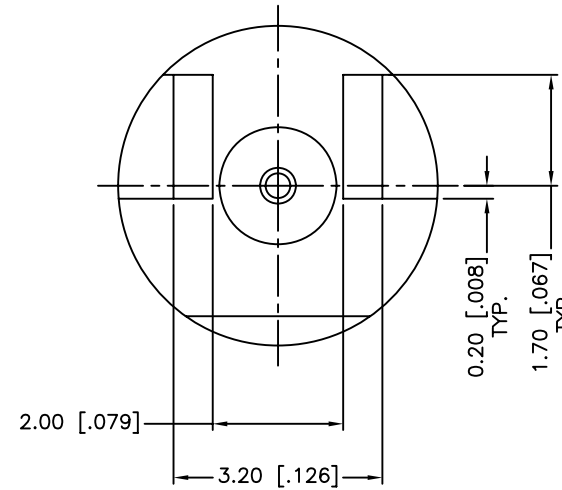
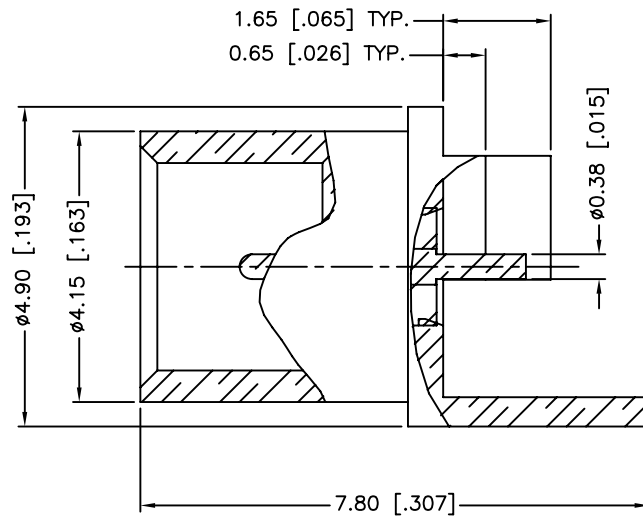
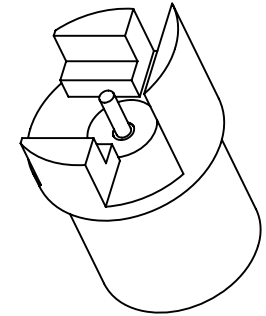


REV.	DATE	ECR NO.	DESCRIPTION
NC	03/23/11	XXXXXX	INITIAL RELEASE



RECOMMENDED  
PCB MOUNTING PATTERN

1. FREQUENCY RANGE: DC 0–26.5 GHz
2. PCB THICKNESS=1.6 mm

UNLESS OTHERWISE SPECIFIED DIMENSIONS ARE IN MILLIMETERS. DIMENSIONS IN [ ] ARE IN INCHES AND FOR CUSTOMER REFERENCE ONLY.

UNLESS OTHERWISE SPECIFIED TOLERANCES FOR MILLIMETERS ARE:  
0.5 – 8mm ± 0.20mm  
8 – 30mm ± 0.40mm  
30 – 120mm ± 0.50mm

UNLESS OTHERWISE SPECIFIED TOLERANCES FOR INCHES ARE:  
.020 – .315 = ± 0.007"  
.315 – 1.180 = ± 0.015"  
1.180 – 4.724 = ± 0.020"

DO NOT SCALE DRAWING

APPROVALS		DATE
DRAWN	F.WANG	03/23/11
CHECKED		
ISSUED		
SHEET	1 OF 1	
CAD FILE	C:/CONNEX/302100.DWG	

# Amphenol Connex

PART DESCRIPTION		
SMP END LAUNCH RECEPT. JACK, SMOOTH BORE (FOR 1.6MM THICK PCB)		
PART NO.		
302100		
DWG. NO.	REV.	SCALE
302100.DWG	NC	A NA

QTY	FINISH	MATERIAL	DESCRIPTION
1	GOLD	BERYLLIUM COPPER	BODY
1	NATURAL	PTFE	INSULATOR
1	GOLD	BRASS	CONTACT PIN